

US00D866249S

(12) **United States Design Patent**  
**Chiang et al.**

(10) **Patent No.:** **US D866,249 S**

(45) **Date of Patent:** **\*\* Nov. 12, 2019**

(54) **FOOD CONTAINER COVER**

(71) Applicant: **ZUME Pizza, Inc.**, Mountain View, CA (US)

(72) Inventors: **Casper W. Chiang**, Danville, CA (US);  
**Douglas J. Minkler**, Mill Valley, CA (US);  
**Julia Collins**, San Francisco, CA (US);  
**Alexander John Garden**, Tiburon, CA (US)

(73) Assignee: **Zume, Inc.**, Mountain View, CA (US)

(\*\*) Term: **15 Years**

(21) Appl. No.: **29/558,873**

(22) Filed: **Mar. 22, 2016**

(51) **LOC (12) Cl.** ..... **07-99**

(52) **U.S. Cl.**  
USPC ..... **D7/392.1**

(58) **Field of Classification Search**  
USPC ..... D3/304, 318, 319; D7/387, 388, 391,  
D7/392.1, 396.2, 396.6, 403, 409, 511,  
D7/550.1, 553.1, 553.2, 566, 568, 601,  
D7/614, 615, 629, 701, 703, 707, 708;  
D9/414, 416, 424, 425, 426, 427, 428,  
D9/430, 432, 433, 434, 435, 436, 456,  
(Continued)

(56) **References Cited**

**U.S. PATENT DOCUMENTS**

1,236,360 A \* 8/1917 Rice ..... F24C 15/10  
126/214 C  
1,718,668 A 6/1929 Smythe  
(Continued)

**FOREIGN PATENT DOCUMENTS**

AU 1977025870 6/1976  
AU 2018211256 8/2018  
(Continued)

**OTHER PUBLICATIONS**

Zume Pizza: Announced 2015 [Online]. Site Visited [Apr. 20, 2018]. Available from Internet URL: <https://zumepizza.com/>.  
(Continued)

*Primary Examiner* — Jennifer Rivard  
*Assistant Examiner* — Catherine S Posthauer

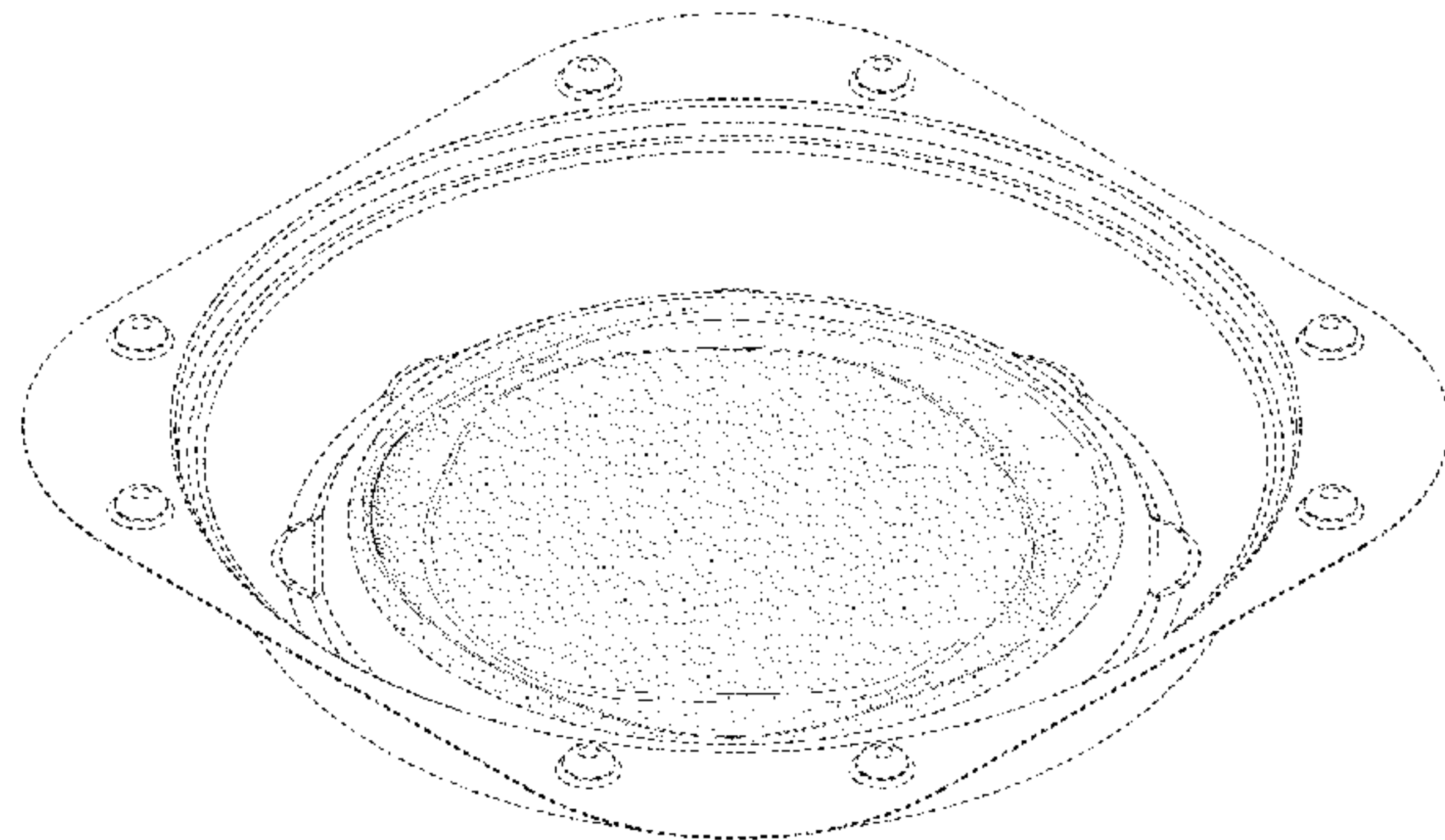
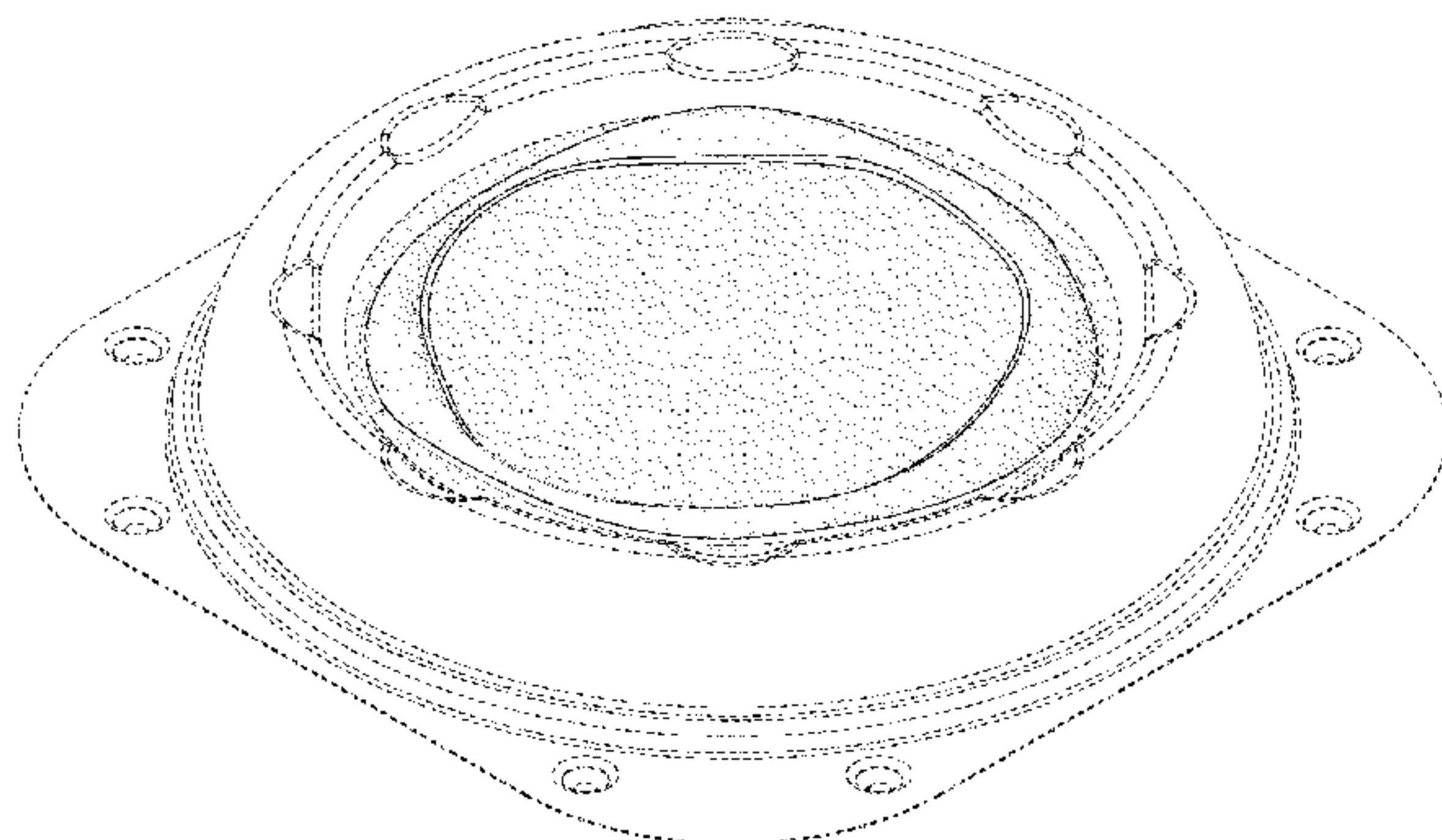
(57) **CLAIM**

The ornamental design for a food container cover, as shown and described.

**DESCRIPTION**

FIG. 1 is a top isometric view of a food container cover showing our new design.  
FIG. 2 is a bottom isometric view thereof.  
FIG. 3 is a top plan view thereof.  
FIG. 4 is a bottom plan view thereof.  
FIG. 5 is a front elevational view thereof.  
FIG. 6 is a rear elevational view thereof.  
FIG. 7 is a left side elevational view thereof.  
FIG. 8 is a right side elevational view thereof.  
FIG. 9 is a cross sectional view takers from FIG. 3, in the direction of line 3-3;  
FIG. 10 is a cross sectional view taken from FIG. 3, in the direction of line 10-10;  
FIG. 11 is a cross sectional view taken from FIG. 3, in the direction of line 11-11; and,  
FIG. 12 is a cross sectional view taken from FIG. 3, in the direction if line 12-12.  
The stippling shown in the Figures represents surface shading and not surface ornamentation. The evenly broken lines represent parts of the article that form no part of the claim. The dot-dot-dash lines represent the designation of partial cross sectional views and form no part of the claimed design.

**1 Claim, 9 Drawing Sheets**





(58) **Field of Classification Search**

USPC ..... D9/601, 602, 701, 703, 707, 708, 715,  
 D9/721, 732, 736, 756, 761  
 CPC ..... A47J 47/14; A47J 47/145; B65D 21/02;  
 B65D 21/0217; B65D 21/0223; B65D  
 25/24; B65D 43/02; B65D 43/0204;  
 B65D 85/30; B65D 85/70; B65D 5/32;  
 B65D 5/64; B65D 81/26; B65D 81/38;  
 B65D 85/00; B65D 85/36; B65D 83/04;  
 B65D 2543/00092; B65D 2543/00361;  
 B65D 2543/00416; B65D 2543/00574;  
 B65D 2543/366; Y02W 90/11; Y02A  
 40/961

See application file for complete search history.

(56) **References Cited**

U.S. PATENT DOCUMENTS

2,301,510 A 11/1942 Bolen  
 3,132,423 A 5/1964 De Lano  
 3,268,198 A 8/1966 Swett  
 3,392,468 A 7/1968 Wolf  
 D215,766 S 10/1969 Dusek  
 3,664,256 A \* 5/1972 Peirce ..... A47J 37/0676  
 99/425  
 D223,854 S \* 6/1972 Swett ..... D7/392.1  
 3,929,564 A 12/1975 Reifers  
 3,954,178 A 5/1976 Mason  
 3,985,991 A 10/1976 Levinson  
 D242,108 S 11/1976 Dart  
 D243,912 S 4/1977 Daenen  
 D244,065 S 4/1977 Daenen  
 4,061,241 A 12/1977 Retelny  
 4,120,398 A 10/1978 Braddon  
 4,127,189 A 11/1978 Shumrack  
 D252,008 S \* 6/1979 Jeambey ..... 426/243  
 4,197,940 A 4/1980 Derossett  
 4,360,118 A 11/1982 Stern  
 4,373,636 A 2/1983 Hoffman  
 4,498,586 A 2/1985 Vitale  
 4,632,836 A 12/1986 Abbott et al.  
 4,656,068 A 4/1987 Raines  
 4,816,646 A 3/1989 Solomon et al.  
 D306,118 S \* 2/1990 Guerrero ..... D7/397  
 D307,243 S 4/1990 Baker  
 4,919,477 A 4/1990 Bingham et al.  
 D333,754 S \* 3/1993 Conti ..... D7/392.1  
 5,215,775 A \* 6/1993 Hoffman, Jr. .... B65D 21/0213  
 211/126.7  
 5,271,518 A 12/1993 Webb  
 5,273,174 A 12/1993 Fisher  
 D348,219 S 6/1994 Goldberg  
 D350,046 S 8/1994 Zimmerman  
 5,377,860 A 1/1995 Littlejohn  
 5,411,140 A 5/1995 Byer  
 5,423,477 A 6/1995 Valdman et al.  
 D361,594 S 8/1995 Salis  
 5,472,139 A 12/1995 Valdman et al.  
 5,518,133 A 5/1996 Hayes  
 D371,511 S 7/1996 Giarracca  
 D373,704 S \* 9/1996 Doxey ..... D7/391  
 5,732,610 A 3/1998 Halladay et al.  
 D393,801 S 4/1998 Hayes et al.  
 D394,005 S 5/1998 Marijnissen  
 D395,599 S 6/1998 Wyslotsky  
 D398,846 S \* 9/1998 Wyslotsky ..... D9/418  
 D398,847 S 9/1998 Wyslotsky et al.  
 D398,848 S \* 9/1998 Wyslotsky ..... D9/418  
 D400,394 S 11/1998 Banach et al.  
 5,873,294 A 2/1999 Scuito  
 D415,652 S \* 10/1999 Loew ..... D7/392.1  
 5,997,924 A 12/1999 Olander, Jr. et al.  
 D433,334 S 11/2000 Hayes et al.  
 D438,466 S 3/2001 Fletcher et al.  
 D440,490 S \* 4/2001 Lizzio ..... D9/428

6,257,434 B1 7/2001 Lizzio  
 D473,791 S \* 4/2003 Loris ..... D9/438  
 6,568,586 B1 5/2003 VanEsley et al.  
 6,601,758 B2 8/2003 Lizzio  
 6,627,862 B1 9/2003 Pedersen  
 D482,283 S 11/2003 Wichmann et al.  
 D484,412 S \* 12/2003 Willis ..... D7/392.1  
 D484,749 S 1/2004 Garraway  
 D502,050 S 2/2005 Munson et al.  
 6,858,243 B2 2/2005 Blanchet  
 6,886,704 B2 5/2005 Hayes  
 D507,078 S \* 7/2005 Greenfield ..... D28/82  
 6,957,111 B2 10/2005 Zhu et al.  
 D511,096 S \* 11/2005 Demaggio ..... D9/455  
 D524,662 S 7/2006 Fager et al.  
 D532,689 S 11/2006 Rotta  
 D535,143 S \* 1/2007 Kortleven ..... D7/391  
 D546,128 S \* 7/2007 Carlson ..... D7/554.2  
 D547,602 S 7/2007 Yamasaki  
 D549,050 S \* 8/2007 Spencer ..... D7/538  
 D556,567 S 12/2007 Templeton  
 D562,135 S 2/2008 Studee  
 D563,785 S \* 3/2008 Maki ..... D9/454  
 D573,466 S \* 7/2008 White ..... D9/456  
 7,505,929 B2 3/2009 Angert et al.  
 D598,714 S 8/2009 Aagaard  
 7,678,036 B1 3/2010 Malitas et al.  
 D618,562 S 6/2010 Bizzell  
 D620,765 S \* 8/2010 Sudia ..... D7/629  
 D620,766 S \* 8/2010 Sudia ..... D7/629  
 D621,650 S 8/2010 DeLeo  
 7,778,773 B2 8/2010 Yaqub  
 7,884,306 B2 2/2011 Leach  
 7,900,793 B2 3/2011 Hanson  
 D641,233 S 7/2011 Pugh  
 7,984,667 B2 7/2011 Freudinger  
 D645,711 S \* 9/2011 Sudia ..... D7/629  
 D653,906 S \* 2/2012 Bull ..... D7/391  
 D653,907 S 2/2012 Backaert et al.  
 8,343,560 B2 1/2013 Blythe  
 8,430,262 B2 4/2013 Corbett et al.  
 D684,046 S 6/2013 Meyer  
 D684,462 S 6/2013 Hite  
 8,549,432 B2 10/2013 Warner  
 8,561,823 B1 10/2013 Krupa  
 D696,066 S \* 12/2013 Parikh ..... D7/396.1  
 D699,106 S \* 2/2014 Glaser ..... D9/456  
 D701,567 S 3/2014 Abdullah  
 8,663,419 B2 3/2014 Corbett et al.  
 8,807,377 B2 8/2014 Corbett et al.  
 8,858,858 B2 10/2014 Middleton  
 D720,227 S 12/2014 Corbett et al.  
 8,991,635 B2 3/2015 Myerscough  
 9,010,621 B2 4/2015 Baker et al.  
 9,073,666 B2 7/2015 Petlak  
 9,126,717 B2 9/2015 Myerscough  
 9,126,719 B2 9/2015 Corbett et al.  
 D747,221 S 1/2016 Changpan  
 D748,329 S 1/2016 Bagai et al.  
 D749,906 S \* 2/2016 Lee ..... D7/362  
 9,292,889 B2 3/2016 Garden  
 D761,103 S \* 7/2016 Lebon ..... D9/447  
 9,387,786 B2 7/2016 Weiner et al.  
 9,446,889 B2 9/2016 Lopes  
 D769,051 S \* 10/2016 Lee ..... D7/352  
 D769,057 S \* 10/2016 Lee ..... D7/352  
 D769,058 S \* 10/2016 Lee ..... D7/352  
 D774,900 S 12/2016 Longoni et al.  
 9,522,761 B2 12/2016 Baker  
 D775,500 S \* 1/2017 Hogeback ..... D7/704  
 D795,069 S \* 8/2017 Haddad ..... D7/392.1  
 D795,070 S \* 8/2017 Haddad ..... D7/392.1  
 D801,176 S 10/2017 Lynd et al.  
 9,815,191 B2 11/2017 Oleynik  
 D804,322 S 12/2017 Fox et al.  
 D804,962 S 12/2017 Fox et al.  
 D806,575 S 1/2018 Collins et al.  
 D811,214 S \* 2/2018 Wu ..... D9/428  
 D827,452 S 9/2018 Collins



(56)

References Cited

U.S. PATENT DOCUMENTS

D828,161	S	9/2018	Collins et al.	
D829,512	S	10/2018	Masanek, Jr.	
D833,204	S	11/2018	Lee	
10,213,048	B2	2/2019	Lee	
D843,207	S	3/2019	Das	
2002/0040862	A1	4/2002	Lizzio	
2002/0048624	A1	4/2002	Blanchet et al.	
2002/0148845	A1	10/2002	Zettle	
2003/0037681	A1	2/2003	Zhu et al.	
2005/0109653	A1	5/2005	Wnek	
2005/0189350	A1	9/2005	Hayes	
2005/0193901	A1	9/2005	Buehler	
2006/0175223	A1	8/2006	Casanovas	
2006/0213916	A1	9/2006	Brown	
2006/0226669	A1	10/2006	Tong et al.	
2007/0241110	A1*	10/2007	Belleggia .....	B65D 85/36 220/315
2008/0023459	A1	1/2008	Leach	
2008/0275643	A1	11/2008	Yaqub et al.	
2009/0048890	A1	2/2009	Burgh	
2009/0057381	A1	3/2009	Gokhale	
2010/0065562	A1	3/2010	Vovan	
2010/0170899	A1	7/2010	Mithal et al.	
2010/0200591	A1	8/2010	Myerscough	
2011/0036846	A1	2/2011	Corbett et al.	
2011/0086141	A1	4/2011	Strilich et al.	
2011/0220652	A1	9/2011	Corbett et al.	
2012/0006842	A1	1/2012	Overgaag	
2012/0024859	A1	2/2012	Longoni et al.	
2012/0024897	A1	2/2012	Corbett et al.	
2012/0031901	A1	2/2012	Dudson et al.	
2012/0175367	A1	7/2012	Lopes et al.	
2012/0234717	A1*	9/2012	Kirkland .....	B65D 1/36 206/488
2013/0313257	A1	11/2013	Gartz et al.	
2014/0370167	A1	12/2014	Garden	
2015/0068945	A1	3/2015	Baker et al.	
2015/0068946	A1	3/2015	Baker et al.	
2015/0109653	A1	4/2015	Greer et al.	
2015/0290795	A1	10/2015	Oleynik	
2015/0343933	A1	12/2015	Weiner et al.	
2016/0162833	A1	6/2016	Garden	
2016/0214778	A1	7/2016	Goodsell et al.	
2017/0275077	A1	9/2017	Chiang et al.	
2018/0022523	A1*	1/2018	Noferi .....	B65D 71/14 206/434
2018/0071939	A1	3/2018	Garden et al.	
2018/0105344	A1*	4/2018	Chiang .....	B65D 81/261
2018/0121037	A1	5/2018	Wajda et al.	
2018/0215523	A1	8/2018	Chiang	
2019/0009968	A1	1/2019	Chiang	

FOREIGN PATENT DOCUMENTS

EP	0989067	3/2000
EP	2 230 184 A1	9/2010
EP	2 243 723 A1	10/2010
EP	2243723	10/2010
JP	07-002285 U	1/1995
JP	2002-347944 A	12/2002
JP	5244344 B2	7/2013
KR	20-0360448 Y1	8/2004
KR	10-2009-0098949 A	9/2009
KR	10-2015-0121771	10/2015
KR	30-0990068	1/2019
WO	2012/005683 A1	1/2012
WO	2015/006649	1/2015

OTHER PUBLICATIONS

Apple Pizza Box: Announced May 17, 2017 [online]. Site visited [Apr. 20, 2018]. Available from Internet URL: <https://www.usatoday.com/story/tech/talkingtech/2017/05/17/apple-patented-its-own-pizza-box/327267001/>.\*

Packaging World Zume Pizza Box: Announced Jul. 5, 2017 [online]. Site Visited [Apr. 20, 2018]. Available from Internet URL: <https://www.packworld.com/article/trends-and-issues/global/humanitarian-initiative-wins-top-dupont-award>.\*

Zume Robot Made Pizza: Announced Sep. 29, 2016 [online]. Site Visited [Apr. 20, 2018]. Available from Internet URL: <http://fortune.com/2016/09/29/this-robot-made-pizza-is-baked-in-the-van-on-the-way-to-your-front-door/>.\*

Food and City Evolution of Pizza Box: Announced Feb. 2016 [online]. Site Visited [Apr. 20, 2018]. Available from Internet URL: <https://foodandcity.org/evolution-pizza-box/>.\*

Zume Compostable Pizza Pod Announced May 22, 2017 [online]. Site Visited [Apr. 20, 2018]. Available from Internet URL: <http://www.dupont.com/industries/packaging-and-printing/media/press-kits/2017-packaging-awards/mc-image-detail/compostable-pizza-pod.html>.\*

Zume Compostable Pizza Pod: Announced Nov. 14, 2016 [online]. Site Visited [Apr. 20, 2018]. Available from Internet URL: <http://www.packagingconnections.com/news/compostable-pizza-pod.htm>.\*

Zume Robot Made Pizza: Announced Sep. 29, 2016 [online]. Site Visited [Apr. 20, 2018]. Available from Internet URL: <https://sg.finance.yahoo.com/news/robot-made-pizza-silicon-valley-163400825.html>.\*

International Search Report and Written Opinion of the International Searching Authority, dated Jun. 26, 2017, for International Application No. PCT/US2017/023408, 17 pages.

Gardner, "Systems and Methods of Preparing Food Products," Restriction Requirement, dated Sep. 10, 2014, for U.S. Appl. No. 13/920,998, 5 pages.

Gardner, "Systems and Methods of Preparing Food Products," Response to Restriction Requirement, filed Oct. 24, 2014, for U.S. Appl. No. 13/920,998, 3 pages.

Garden, "Systems and Methods of Preparing Food Products," Office Action, dated Mar. 16, 2015, for U.S. Appl. No. 13/920,998, 28 pages.

Garden, "Systems and Methods of Preparing Food Products," Amendment, filed Apr. 2, 2015, for U.S. Appl. No. 13/920,998, 23 pages.

Garden, "Systems and Methods of Preparing Food Products," Office Action, dated May 27, 2015, for U.S. Appl. No. 13/920,998, 31 pages.

Garden, "Systems and Methods of Preparing Food Products," Amendment, filed Jul. 22, 2015, for U.S. Appl. No. 13/920,998, 29 pages.

Garden, "Systems and Methods of Preparing Food Products," Advisory Action, dated Jul. 29, 2015, for U.S. Appl. No. 13/920,998, 3 pages.

Garden, "Systems and Methods of Preparing Food Products," Amendment, filed Aug. 10, 2015, for U.S. Appl. No. 13/920,998, 29 pages.

Garden, "Systems and Methods of Preparing Food Products," Advisory Action, dated Aug. 27, 2015, for U.S. Appl. No. 13/920,998, 3 pages.

Garden, "Systems and Methods of Preparing Food Products," Amendment, filed Sep. 25, 2015, for U.S. Appl. No. 13/920,998, 29 pages.

Garden, "Systems and Methods of Preparing Food Products," Notice of Allowance, dated Jan. 7, 2016, for U.S. Appl. No. 13/920,998, 9 pages.

Garden, "Systems and Methods of Preparing Food Products," U.S. Appl. No. 15/040,866, filed Feb. 10, 2016, 71 pages.

International Search Report, dated Oct. 22, 2014, for International Application No. PCT/US2014/042879, 3 pages.

Written Opinion of the International Searching Authority, dated Oct. 22, 2014, for International Application No. PCT/US2014/042879, 8 pages.

Notice of Allowance, dated Jun. 6, 2018, for U.S. Appl. No. 29/618,670, Collins et al., "Food Container," 2 pages.



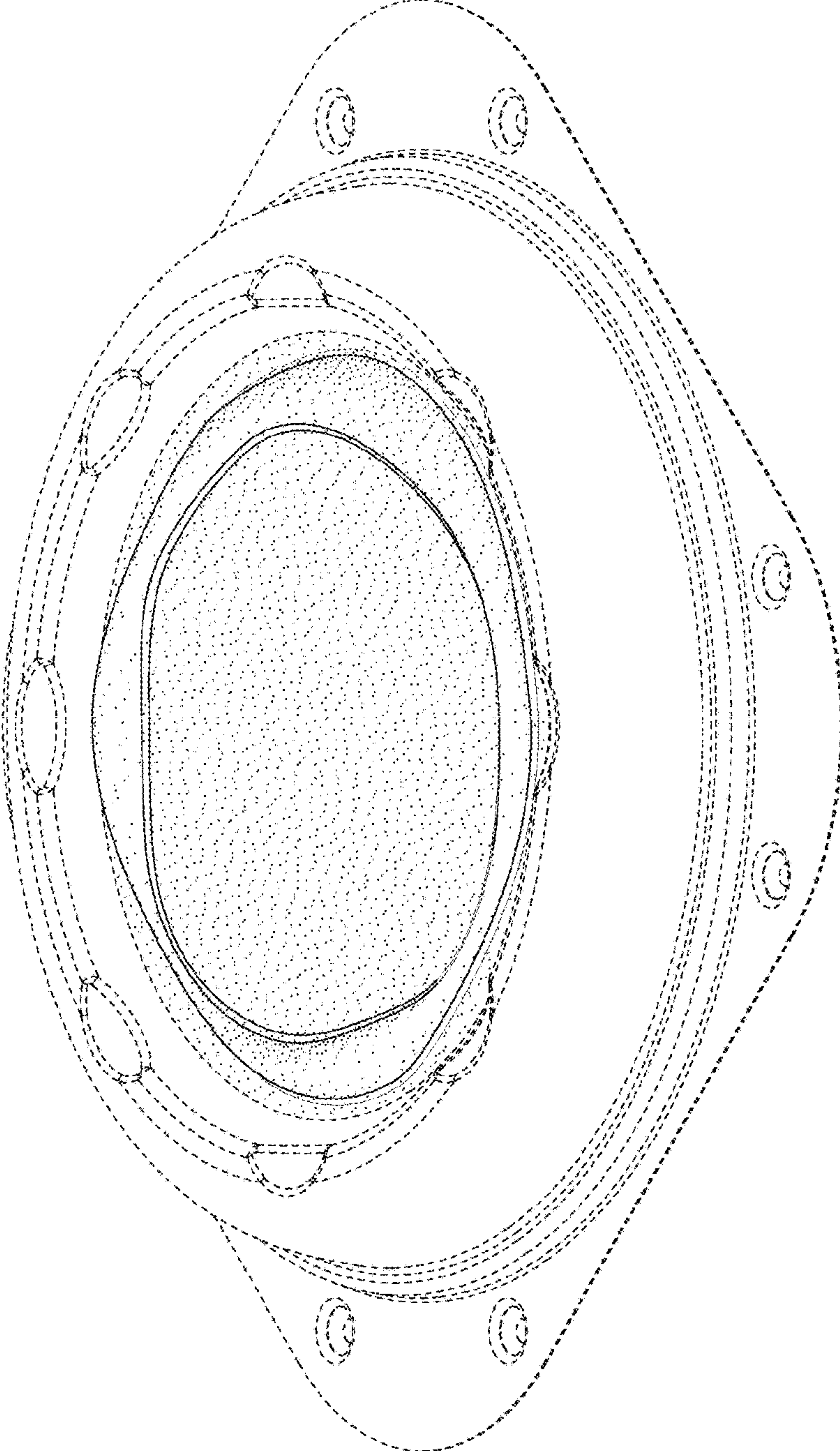
(56)

## References Cited

## OTHER PUBLICATIONS

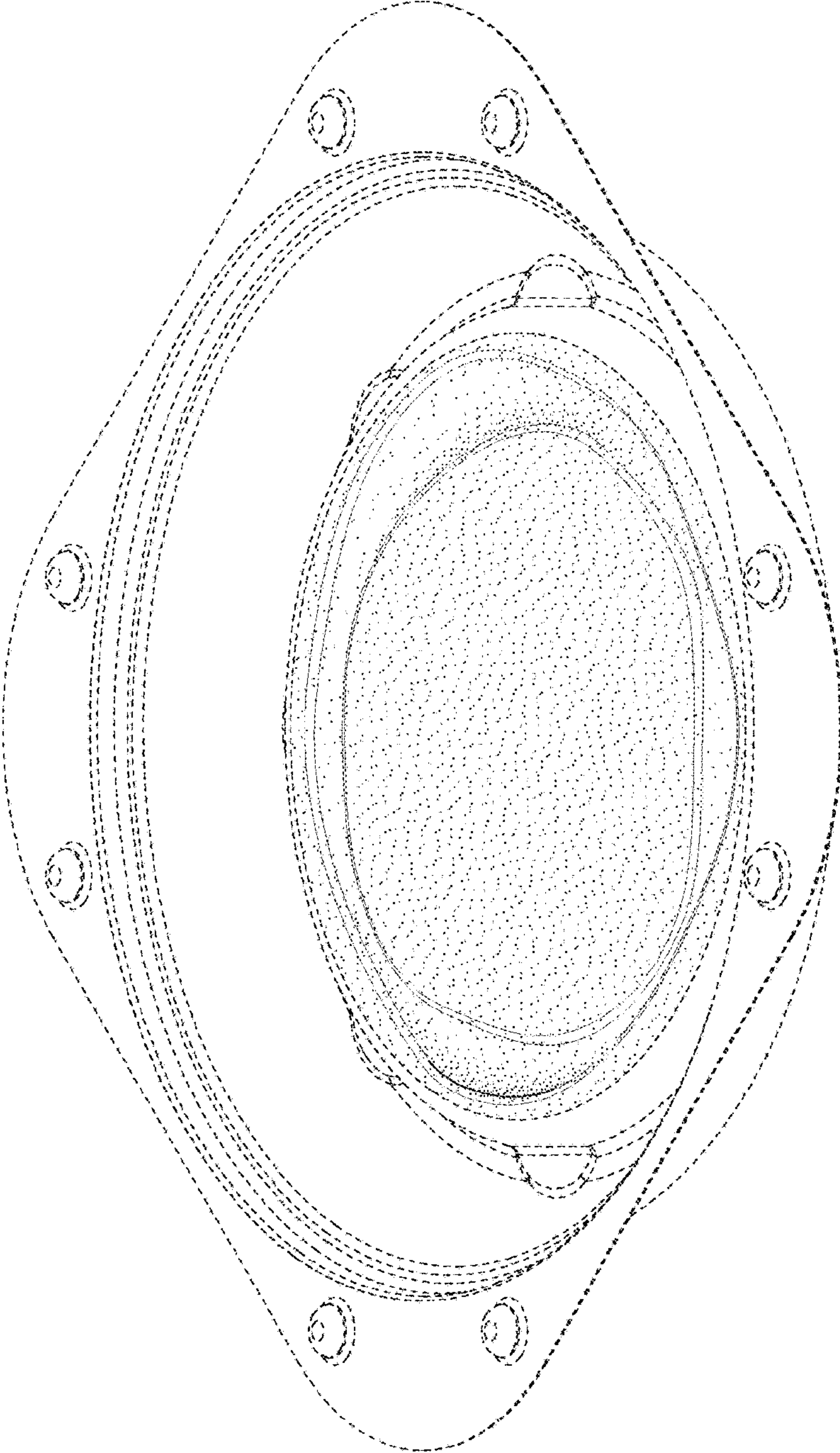
- Notice of Allowance, dated May 31, 2018, for U.S. Appl. No. 29/574,805, Collins et al., "Food Container Cover," 2 pages.
- Core77 "Notable Packaging Award : Core77 Design Awards 2017, Zume Pizza 'Pizza Pod' " May 14, 2017, <https://web.archive.org/web/20170614144555/http://designawards.core77.com/Packaging/62804/Zume-Pizza-Pod>, downloaded on Mar. 26, 2018, 4 pages.
- DuPont, "Compostable "Pizza Pod" (Zume Pizza, USA)—Diamond Finalist Award," May 22, 2017, <http://www.dupont.com/industries/packaging-and-printing/media/press-kits/2017-packaging-awards/mc-image-detail/compostable-pizza-pod.html> downloaded on Apr. 20, 2018, 1 page.
- Entis et al., "This Robot-Made Pizza Is Baked in the Van on the Way to Your Door," Sep. 29, 2016, <http://fortune.com/2016/09/29/this-robot-made-pizza-is-baked-in-the-van-on-the-way-to-your-front-door/> downloaded on Apr. 20, 2018, 1 page.
- Farkya, "Compostable Pizza Pod," Nov. 14, 2016, <http://www.packagingconnections.com/news/compostable-pizza-pod.htm> downloaded on Apr. 20, 2018, 7 pages.
- Molina, "Yes, Apple really did patent its own pizza box," May 17, 2017, <https://www.usatoday.com/story/tech/talkingtech/2017/05/17/apple-patented-its-own-pizza-box/327267001/> downloaded on Apr. 20, 2018, 2 pages.
- Notice of Allowance, dated Apr. 25, 2018, for U.S. Appl. No. 29/618,670, Collins et al., "Food Container," 7 pages.
- Notice of Allowance, dated May 9, 2018, for U.S. Appl. No. 29/574,805, Collins et al., "Food Container and Cover," 10 pages.
- PW Staff, "Humanitarian initiative wins top DuPont Award," Jul. 5, 2017, <https://www.packworld.com/article/trends-and-issues/global/humanitarian-initiative-wins-top-dupont-award> downloaded on Apr. 20, 2018, 12 pages.
- Requirement for Restriction, dated Apr. 27, 2018, for U.S. Appl. No. 29/558,874, Chiang et al., "Food Container," 7 pages.
- Robinson, "This robot-made pizza in Silicon Valley should terrify Domino's and Pizza Hut," Sep. 29, 2016, <https://sg.financet.yahoo.com/news/robot-made-pizza-silicon-valley-163400825.html?guccounter=1> downloaded on Apr. 20, 2018, 12 pages.
- Wiener, "Food Movers: The Secret Evolution of the Pizza Box," Feb. 2016, <https://www.foodandcity.org/evolution-pizza-box/> downloaded on Apr. 20, 2018, 14 pages.
- Zume Pizza Homepage, <https://zumepizza.com/> downloaded on Apr. 20, 2018, 7 pages.
- Notice of Allowance dated Feb. 13, 2019 issued in U.S. Appl. No. 29/558,874, 10 pages.
- PCT International Search Report and Written Opinion in International Application PCT/US2018/040730, dated Nov. 14, 2018, 22 pages.
- U.S. Appl. No. 15/465,228, Amendment and Response filed Apr. 18, 2019, 16 pages.
- U.S. Appl. No. 15/845,916, Amendment and Response filed Dec. 28, 2018, 17 pages.
- U.S. Appl. No. 15/845,916, Office Action dated Apr. 8, 2019, 25 pages.
- U.S. Appl. No. 15/936,069, Amendment and Response filed Nov. 28, 2018, 14 pages.
- U.S. Appl. No. 15/936,069, Office Action dated Mar. 14, 2019, 17 pages.
- U.S. Appl. No. 29/558,872, Amendment and Response filed Feb. 1, 2019, 23 pages.
- U.S. Appl. No. 29/558,872, Office Action dated Nov. 1, 2018, 15 pages.
- U.S. Appl. No. 29/558,872, Response to Restriction Requirement filed Aug. 16, 2018, 7 pages.
- U.S. Appl. No. 29/558,872, Restriction Requirement dated May 17, 2018, 12 pages.
- U.S. Appl. No. 29/574,805, Notice of Allowance dated Jul. 23, 2018, 2 pages.
- U.S. Appl. No. 29/574,808, Amendment and Response filed Dec. 21, 2018, 15 pages.
- U.S. Appl. No. 29/574,808, Office Action dated Sep. 21, 2018, 11 pages.
- U.S. Appl. No. 29/574,808, Response to Restriction Requirement filed Aug. 1, 2018, 1 page.
- U.S. Appl. No. 29/574,808, Restriction Requirement dated Jun. 1, 2018, 9 pages.
- European Search Report in Application 17770987.0, dated Feb. 12, 2019, 8 pages.
- U.S. Appl. No. 29/558,872, Notice of Allowance dated May 10, 2019, 9 pages.
- U.S. Appl. No. 29/574,808, Notice of Allowance dated May 13, 2019, 5 pages.
- Kelley, Mary K., "Caffeine Fix: The Design of Coffee Cup Lids", from Mary Kate's Experience with Human Factors, found online at: <https://sites.tufts.edu/mkelleyhintro/2018/04/12/caffeine-fix-the-design-of-coffee-cup-lids/>, Apr. 12, 2018, 8 pages.
- World Centric website, "New PizzaRound from World Centric: The Pizza Box Comes Full Circle" Petaluma, CA, USA, published Mar. 15, 2018, 2 pages, located online on May 2, 2019 at: <http://www.worldcentric.org/node/442>.
- U.S. Appl. No. 29/558,874, Ex Parte Quayle Action mailed Sep. 6, 2018, 10 pages.
- U.S. Appl. No. 29/558,874, Notice of Allowance dated Feb. 13, 2019, 10 pages.
- Casper et al., "Container for Transport and Storage of Food Products," U.S. Appl. No. 62/311,787, filed Mar. 22, 2016, 50 pages.
- U.S. Appl. 29/574,802, Office Action dated Jun. 1, 2017, 9 pages.
- U.S. Appl. No. 29/574,802, Amendment and Response filed Aug. 3, 2017, 12 pages.
- U.S. Appl. No. 29/574,802, Notice of Allowance dated Aug. 25, 2017, 5 pages.
- Notice of Allowance, dated Jul. 24, 2018, for U.S. Appl. No. 29/618,670, Collins et al., "Food Container," 2 pages.
- PCT Search Report and Written Opinion dated Nov. 16, 2018 issued in International Patent Application No. PCT/US2018/040749.
- Office Action dated Dec. 20, 2018 issued in U.S. Appl. No. 15/465,228.
- Office Action dated Aug. 30, 2018 issued in U.S. Appl. No. 15/936,069.
- Office Action dated Aug. 28, 2018 issued in U.S. Appl. No. 15/845,916.
- Divya, "Sealed Air and Kuraray to Invest in Capacity at Simpsonville Facility to Produce Plant-Based Food Packaging", Mar. 22, 2019, downloaded from <https://packaging360.in/news/> on Apr. 1, 2019.
- U.S. Appl. No. 29/656,406, Notice of Allowance dated Jun. 20, 2019, 12 pages.
- U.S. Appl. No. 29/574,808, Notice of Allowance dated Jun. 10, 2019, 10 pages.
- U.S. Appl. No. 29/558,872, Notice of Allowance dated Jun. 26, 2019, 14 pages.

\* cited by examiner

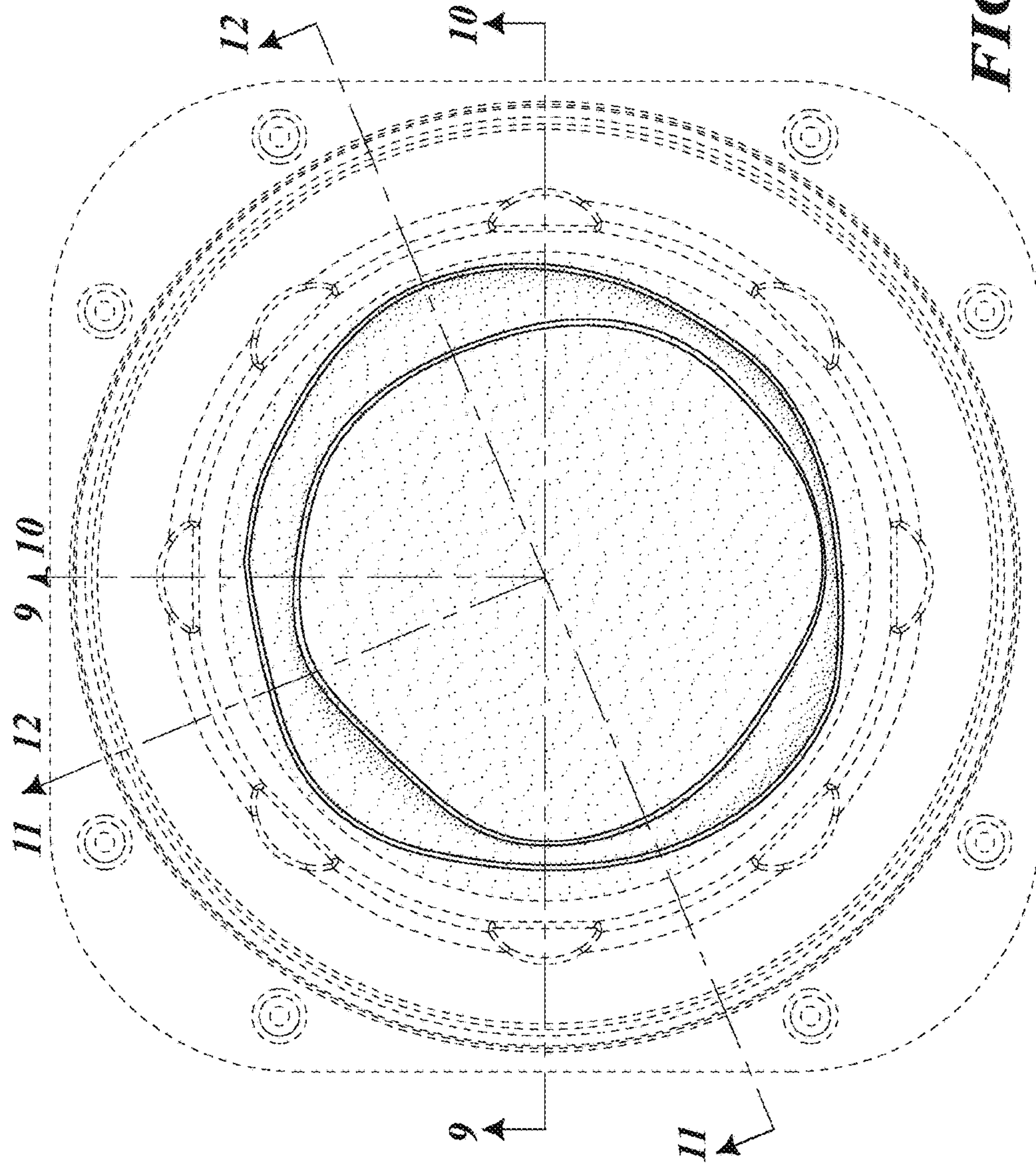


**FIG. 1**

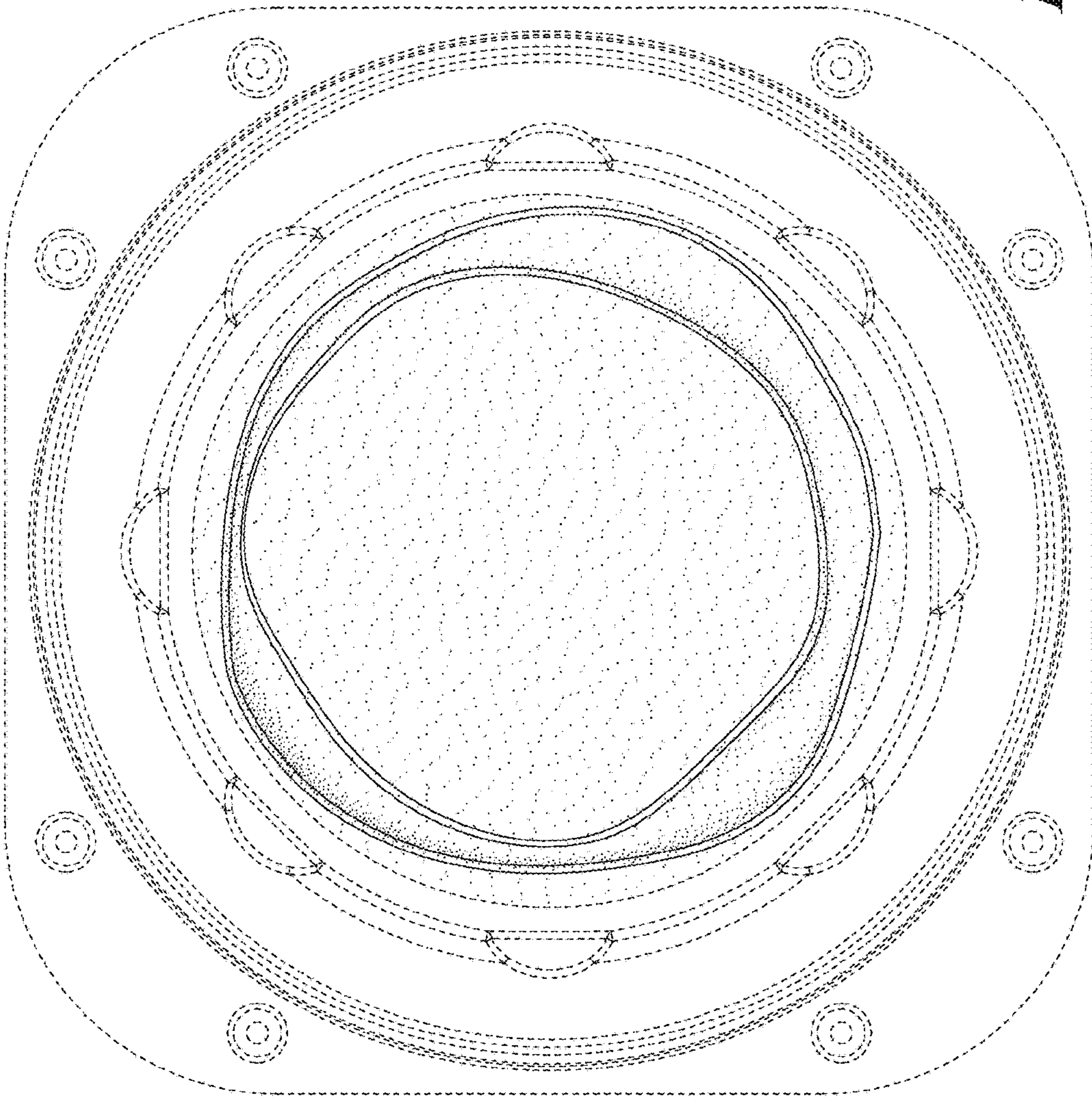




**FIG.2**



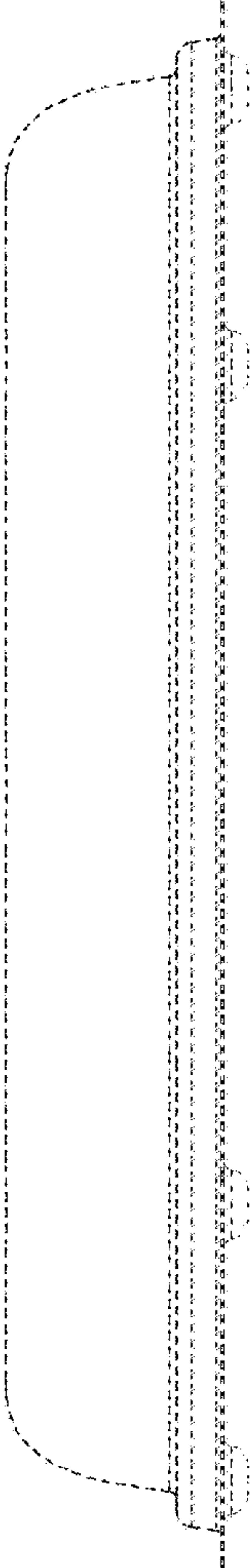
**FIG.3**



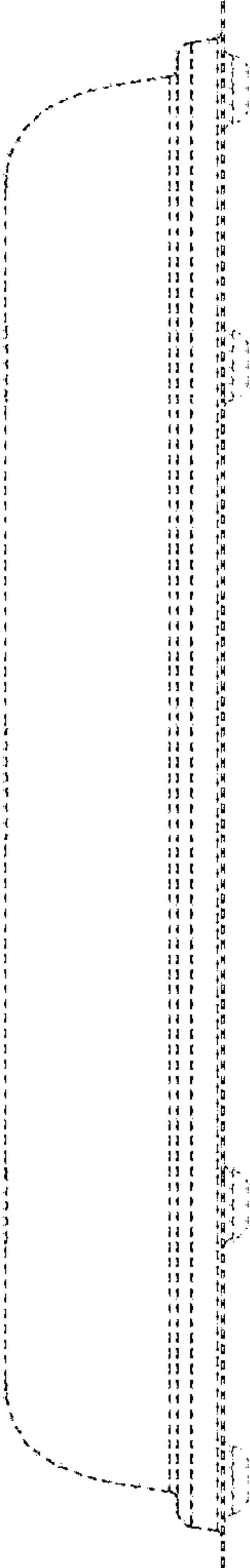
**FIG. 4**



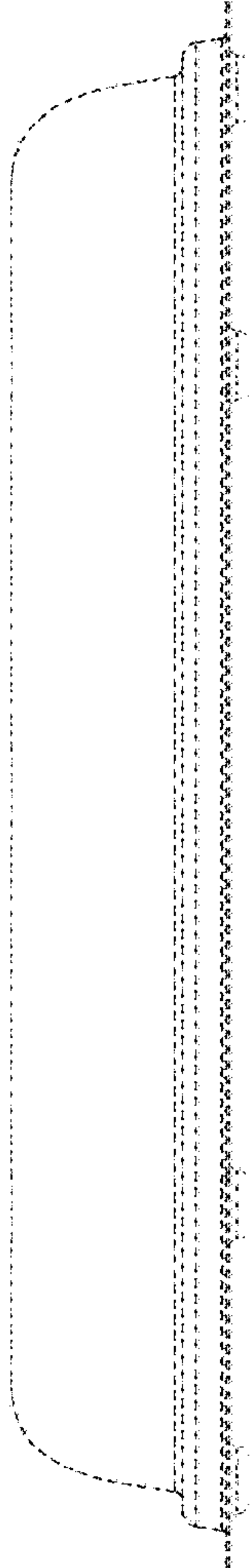
**FIG. 5**



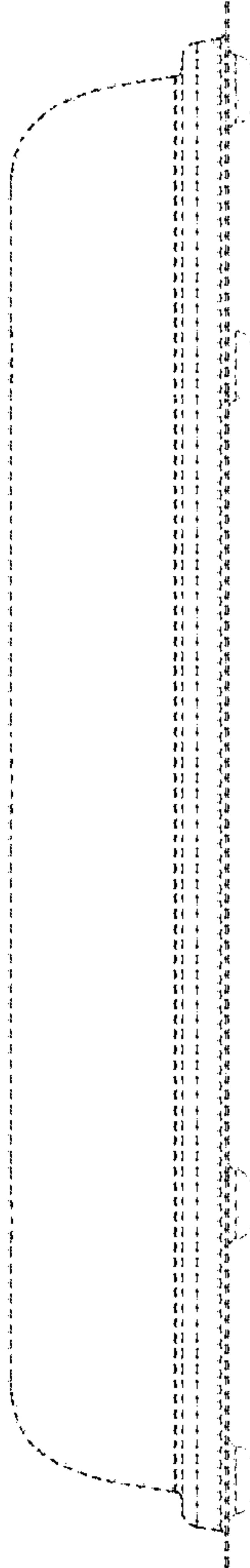
**FIG. 6**

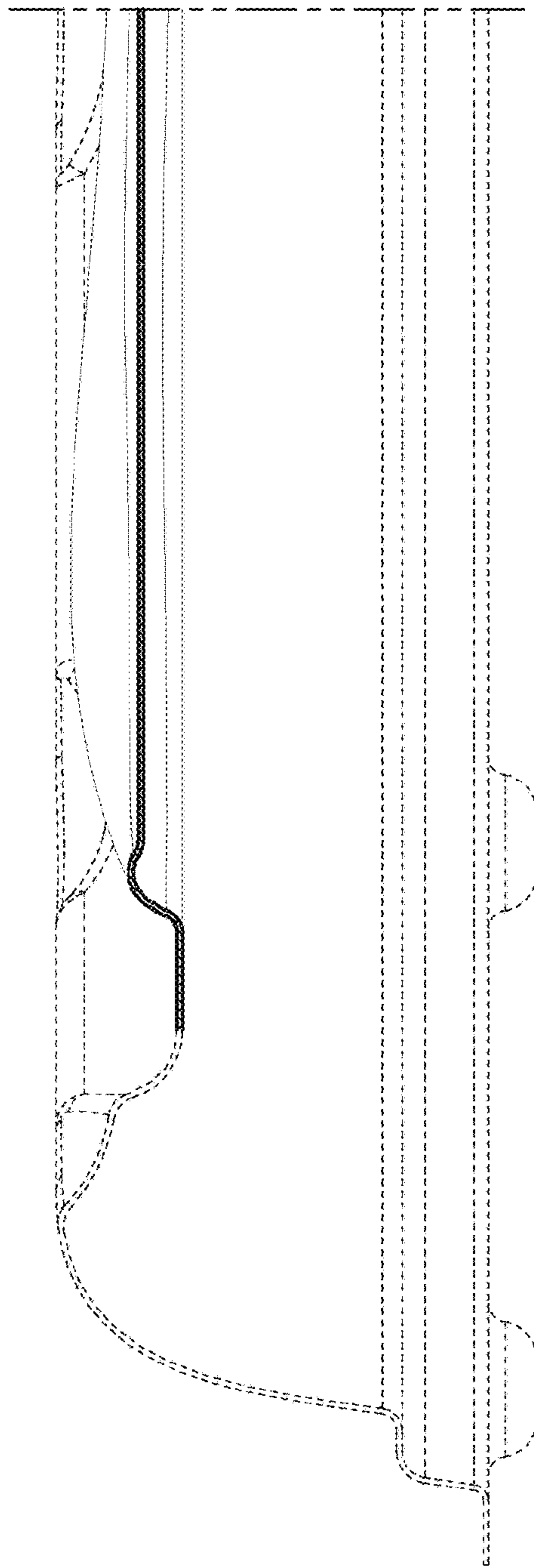


**FIG. 7**



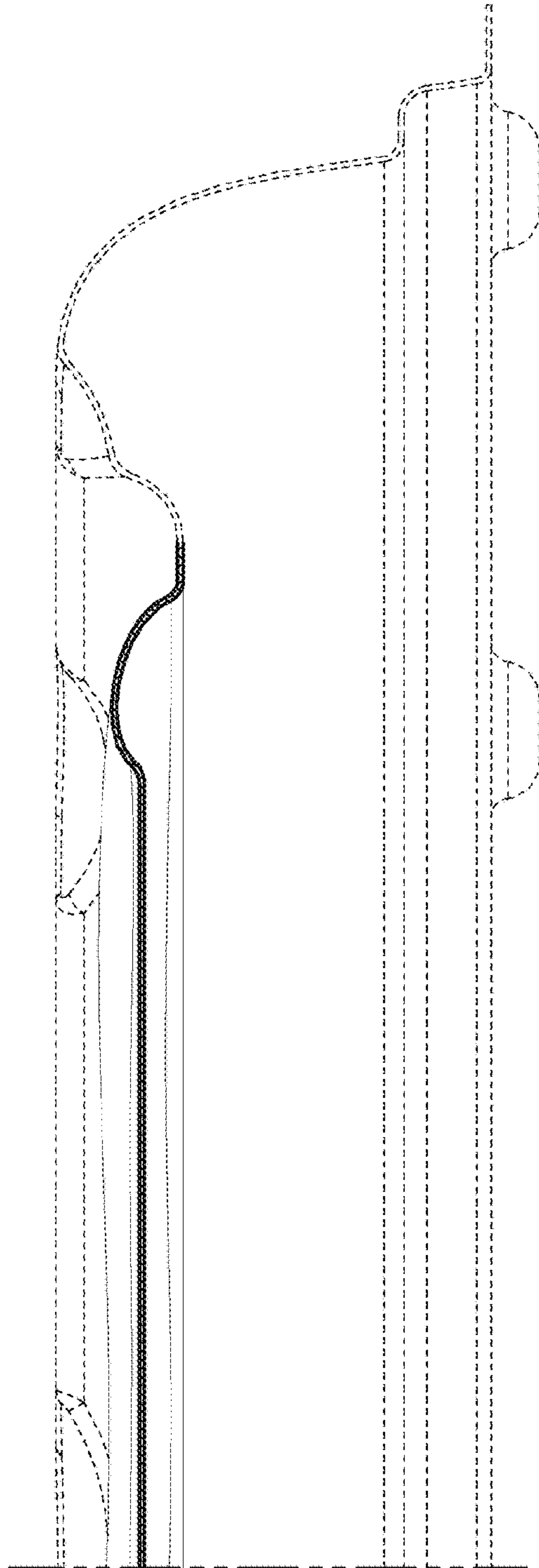
**FIG. 8**



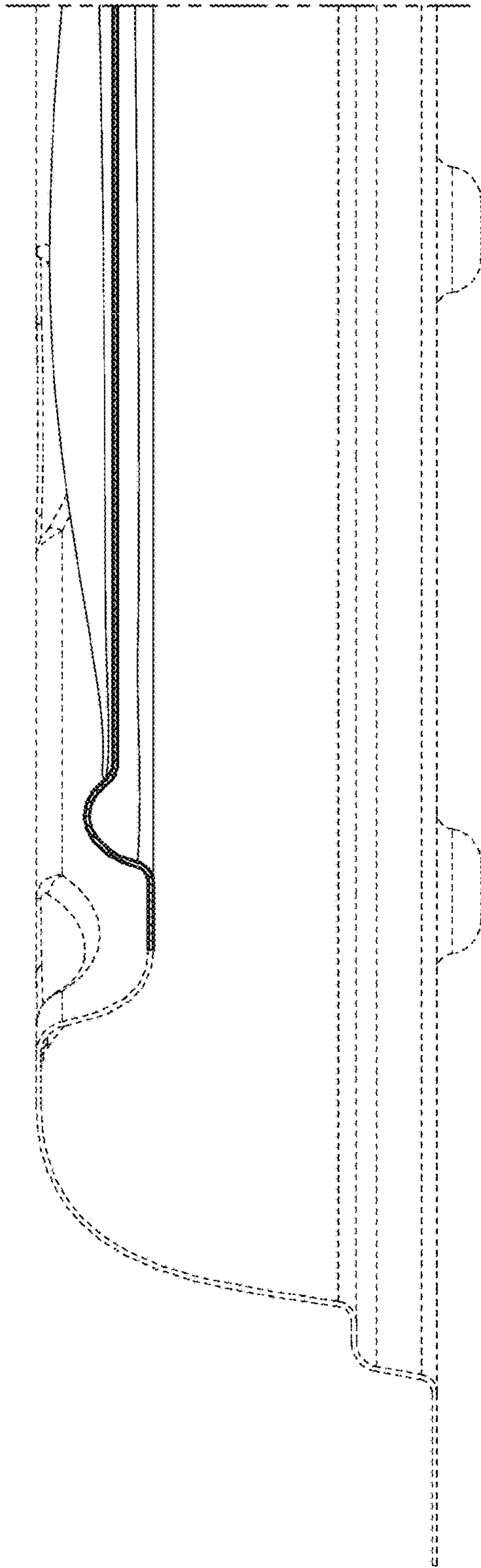


**FIG. 9**



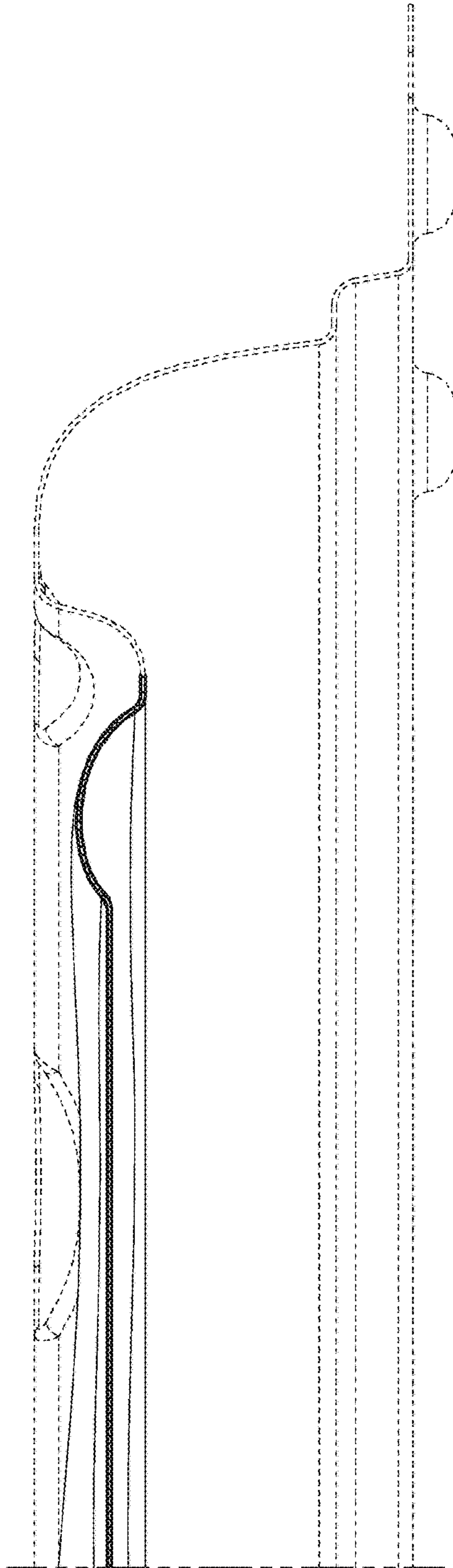


**FIG. 10**



**FIG. 11**





**FIG. 12**