

US00D866248S

(12) **United States Design Patent** (10) **Patent No.:** **US D866,248 S**  
**Baron et al.** (45) **Date of Patent:** **\*\* Nov. 12, 2019**

(54) **PICKLE PIPE** 2,694,641 A \* 11/1954 Marshall ..... C12C 5/00  
426/8  
(71) Applicant: **MASONTOPS, INC.**, Toronto (CA) 2,828,886 A 4/1958 Thomas  
3,252,404 A 5/1966 Cox  
(72) Inventors: **Philip D. Baron**, Toronto (CA); 3,455,292 A 7/1969 Mudrinich  
**Michael J. Bacher**, Toronto (CA) 3,924,774 A 12/1975 Donnelly  
3,943,987 A 3/1976 Rossi  
(73) Assignee: **Masontops, Inc.**, Toronto, Ontario (CA) (Continued)

(\*\*) Term: **15 Years**  
(21) Appl. No.: **29/675,490**  
(22) Filed: **Jan. 2, 2019**

**Related U.S. Application Data**

(63) Continuation of application No. 29/605,080, filed on May 23, 2017, now Pat. No. Des. 836,972, which is a continuation of application No. 29/553,022, filed on Jan. 28, 2016, now Pat. No. Des. 787,263.

(51) **LOC (12) Cl.** ..... **07-01**  
(52) **U.S. Cl.**  
USPC ..... **D7/391**; D7/392; D9/454; D9/443  
(58) **Field of Classification Search**  
USPC ..... D7/397, 398, 399, 391, 392, 392.1;  
D9/439, 440, 443, 454; D30/121, 199;  
215/11.1; D24/194, 196, 197;  
220/367.1; 99/467, 349; 206/403, 408  
CPC ..... A47G 36/06; B65D 85/672; B65D 5/746;  
B65D 81/2015; A47J 37/10; B44D 3/12;  
A61J 9/085; A61J 11/004; A61J 11/005;  
C12C 13/10  
See application file for complete search history.

(56) **References Cited**

U.S. PATENT DOCUMENTS

D5,371 S 11/1871 Jepson  
2,335,766 A 11/1943 Kinloch  
2,556,195 A \* 6/1951 Kors ..... B44D 3/12  
220/578

**OTHER PUBLICATIONS**

[https://www.kickstarter.com/projects/1\\_9451\\_02584/pickle-pipe-waterless-fermentation-airlock-for-mas](https://www.kickstarter.com/projects/1_9451_02584/pickle-pipe-waterless-fermentation-airlock-for-mas) Oct. 8, 2015, 2 pages.  
(Continued)

*Primary Examiner* — Marianne N Pandozzi  
(74) *Attorney, Agent, or Firm* — McAndrews, Held & Malloy, Ltd.

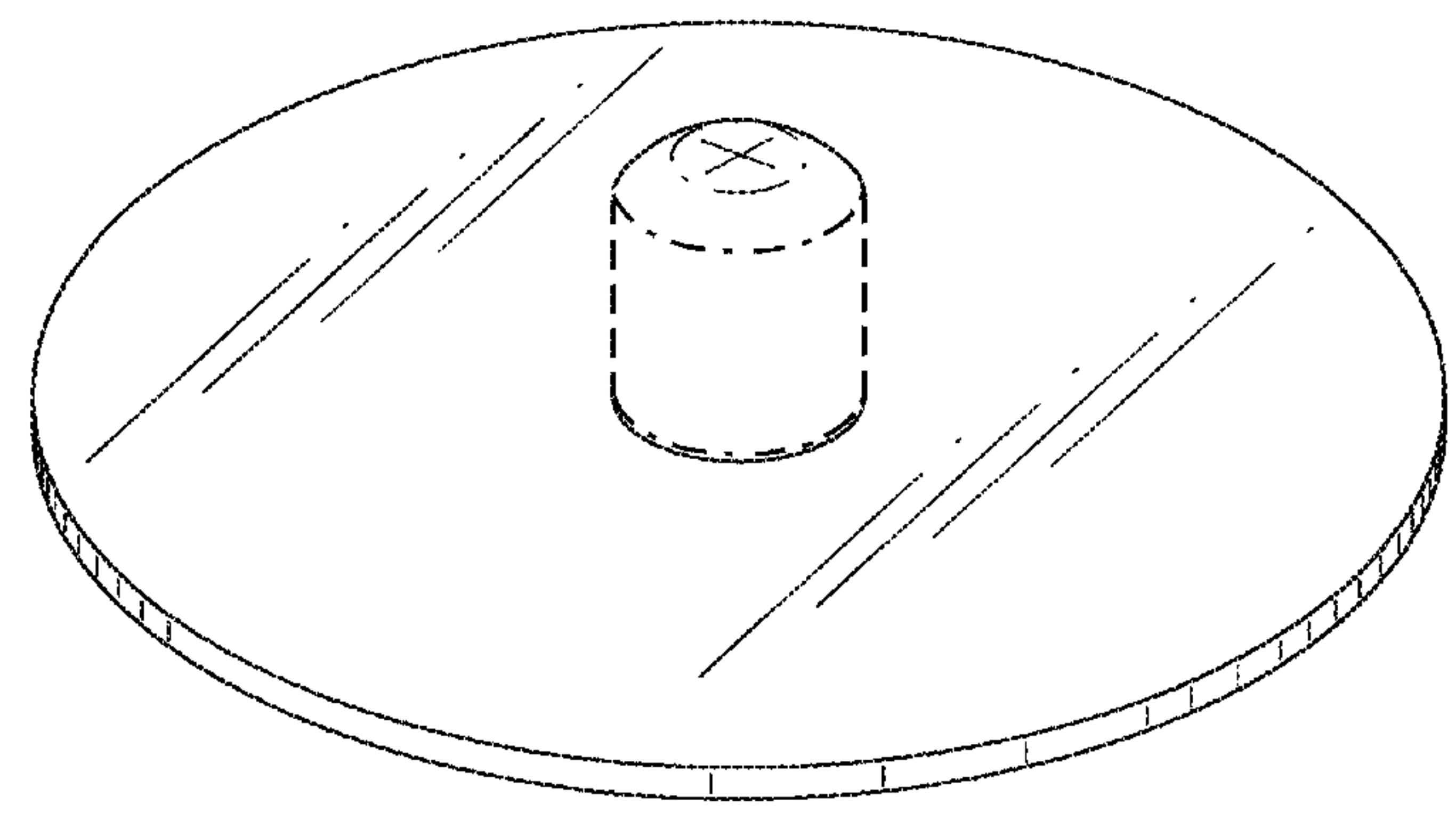
(57) **CLAIM**

We claim an ornamental design for a pickle pipe, as shown and described.

**DESCRIPTION**

FIG. 1 is an environmental top perspective view of a pickle pipe showing our new design;  
FIG. 2 is a top perspective view thereof;  
FIG. 3 is a bottom perspective view thereof;  
FIG. 4 is a side view thereof;  
FIG. 5 is another side view thereof;  
FIG. 6 is a top plan view thereof; and,  
FIG. 7 is a bottom plan view thereof.  
The dashed broken line showing of a mason jar and band in FIG. 1 depicts environmental subject matter that forms no part of the claimed design. The dot-dash broken lines in the figures define the boundaries of the claimed design and form no part thereof. The remaining dashed broken lines in the figures depict portions of the pickle pipe that form no part of the claimed design.

**1 Claim, 5 Drawing Sheets**



(56)

References Cited

U.S. PATENT DOCUMENTS

3,946,780 A \* 3/1976 Sellers ..... B65D 51/1616  
383/66  
4,099,512 A 7/1978 Noonan  
D249,624 S \* 9/1978 Solomon ..... D7/391  
4,218,964 A \* 8/1980 Beadle ..... C12C 13/10  
99/275  
4,434,810 A 3/1984 Atkinson  
4,537,017 A 8/1985 Hengstenberg et al.  
4,688,571 A 8/1987 Tesler  
4,844,929 A 7/1989 Kingsley  
4,874,108 A 10/1989 Valasek  
D304,663 S 11/1989 Tunila  
4,993,568 A \* 2/1991 Morifuji ..... A61J 11/002  
215/11.1  
5,004,118 A 4/1991 England et al.  
5,108,423 A 4/1992 Lu  
D326,917 S 6/1992 Roberts et al.  
5,212,090 A \* 5/1993 Landine ..... B09B 1/004  
220/216  
5,213,230 A 5/1993 Kral  
D341,320 S 11/1993 Morin  
5,339,981 A 8/1994 Kral  
D384,236 S 9/1997 Douer  
D392,046 S 3/1998 Niedospial, Jr.  
5,769,285 A \* 6/1998 Upham ..... A01K 9/005  
215/11.1  
D399,745 S 10/1998 Mascitelli  
D415,652 S 10/1999 Loew et al.  
6,050,451 A 4/2000 Hess, III et al.  
D432,857 S 10/2000 Ming-Shiue  
D455,963 S 4/2002 Schmitt  
6,769,291 B1 8/2004 Julian et al.  
D547,874 S \* 7/2007 Horie ..... D24/194  
D547,974 S \* 8/2007 Daniel ..... D6/337  
D596,487 S 7/2009 Batton et al.  
D617,057 S \* 6/2010 Terwilleger ..... D30/121  
D617,508 S \* 6/2010 Terwilleger ..... D30/121

D622,090 S 8/2010 Bodum  
8,117,990 B2 2/2012 Terwilleger  
D659,464 S 5/2012 Albers et al.  
D666,731 S \* 9/2012 Mustecaplioglu ..... D24/197  
D682,612 S 5/2013 Rzepecki  
D686,878 S 7/2013 Grasselli et al.  
D717,103 S 11/2014 Wilbur  
8,985,361 B2 3/2015 Wilson  
D732,959 S 6/2015 Branstad  
D745,799 S 12/2015 Lipson  
9,215,955 B1 12/2015 Zlotnick  
D752,765 S \* 3/2016 Taylor ..... D24/197  
D787,263 S \* 5/2017 Baron ..... D7/391  
D836,972 S \* 1/2019 Baron ..... D7/391  
2007/0102388 A1 \* 5/2007 Lewis ..... A61J 11/0015  
215/11.1  
2007/0131637 A1 \* 6/2007 Tamura ..... A61J 11/004  
215/11.1  
2009/0028999 A1 \* 1/2009 Melisch ..... C12C 11/003  
426/8  
2012/0305514 A1 12/2012 Harris  
2013/0200031 A1 \* 8/2013 Rees ..... A61J 11/006  
215/11.4  
2014/0116271 A1 5/2014 Diggs et al.  
2015/0128809 A1 \* 5/2015 Hansmann ..... C12C 13/10  
99/276

OTHER PUBLICATIONS

[https://www.youtube.com/watch?v=Jfn8JRmR\\_-o](https://www.youtube.com/watch?v=Jfn8JRmR_-o) Oct. 11, 2015, 2 pages.  
Rori Kotch, "24 Handy Ways to Use Mason Jar in Your Kitchen", <http://www.countryliving.com/diy-crafts/g2493/kitchen-mason-jar-ideas/>, Pub: Aug. 6, 2015, Retrieved Feb. 6, 2016, 4 pages.  
Agnes Hsu, "Make a Mason Jar Aquarium", <http://www.hellowonderful.co/post/MAKE-A-MASON-JAR-AQUARIUM>, Pub: Mar. 20, 2014, Retrieved Feb. 6, 2016, 6 pages.

\* cited by examiner

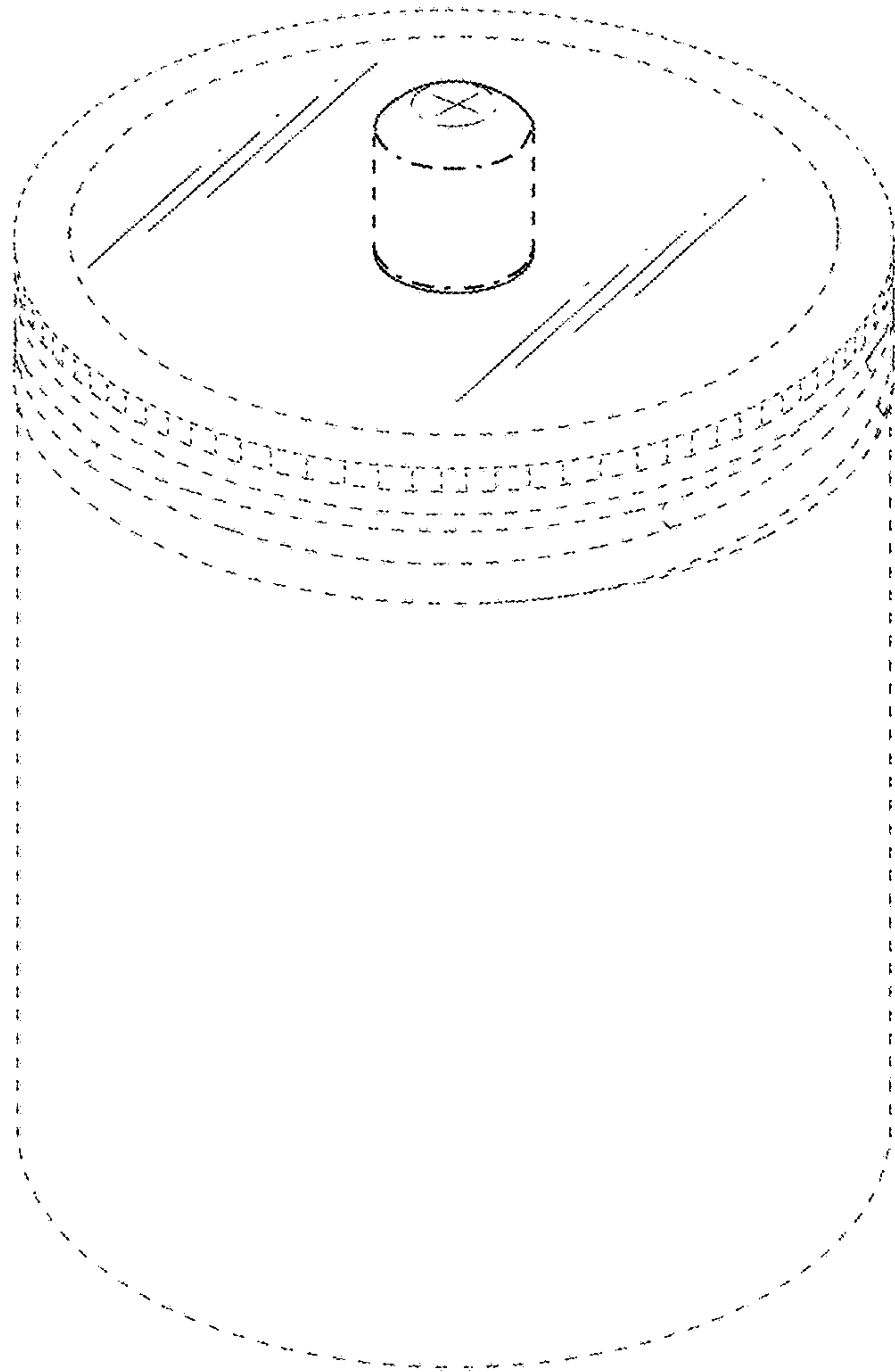


FIG. 1

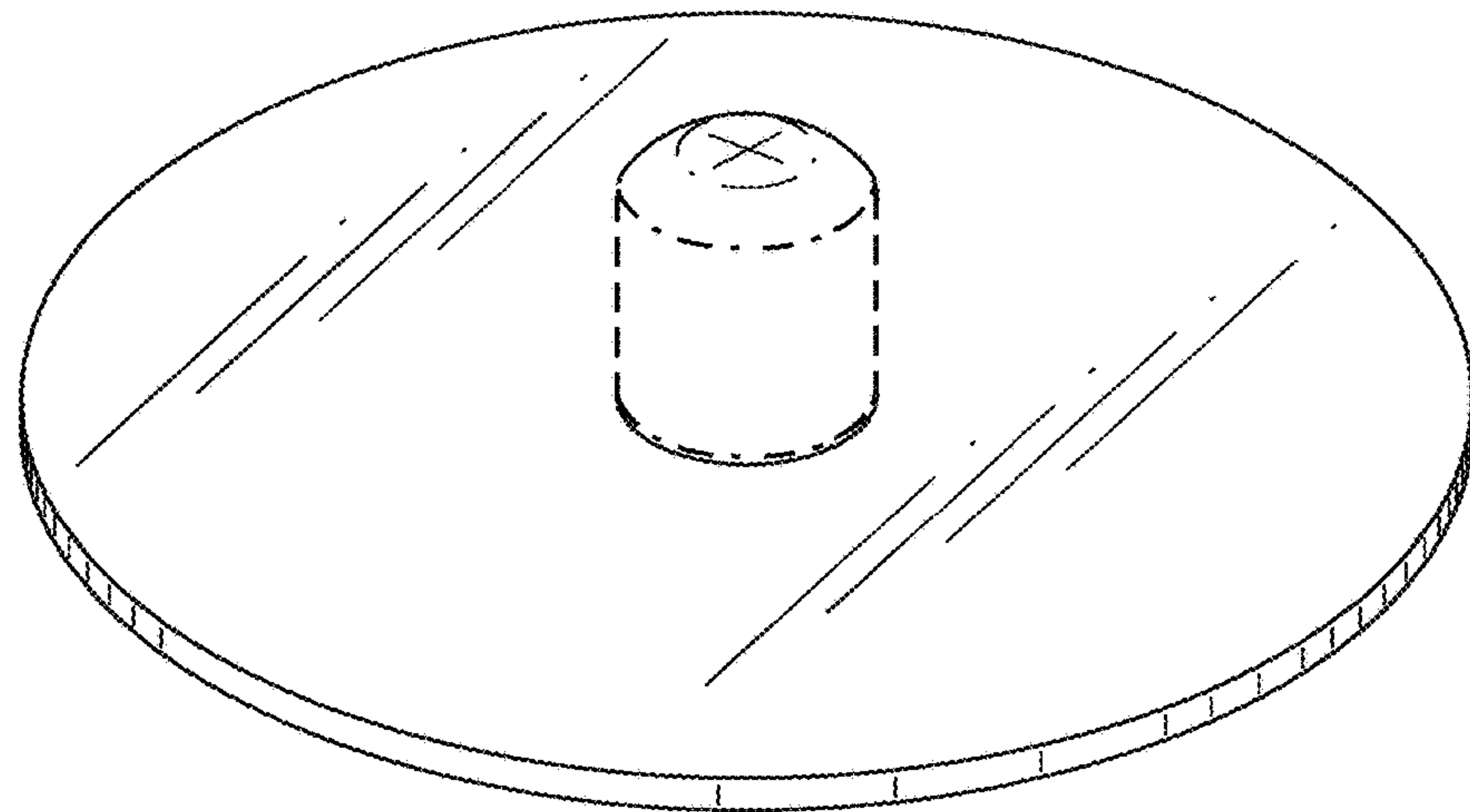


FIG. 2

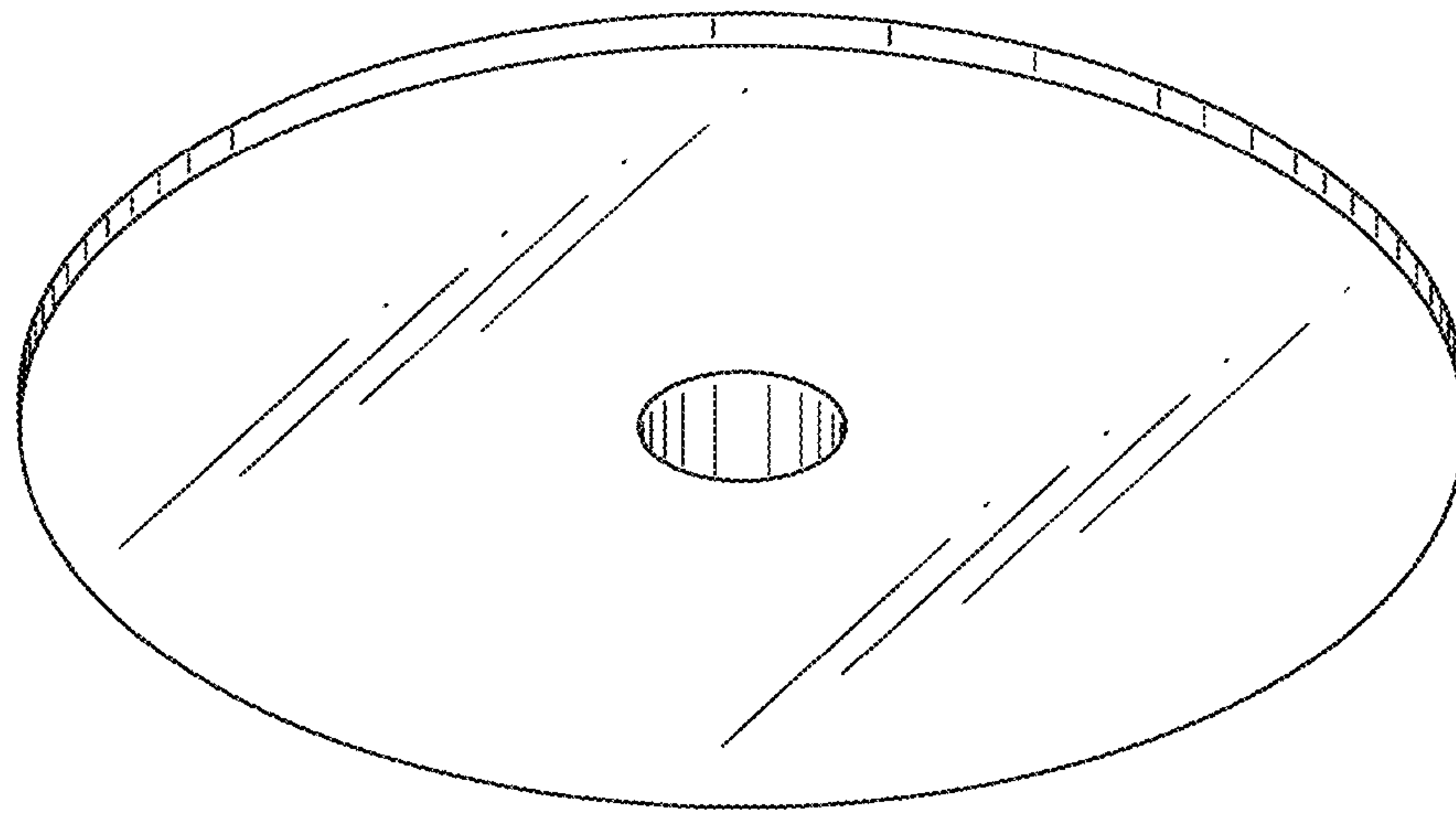


FIG. 3

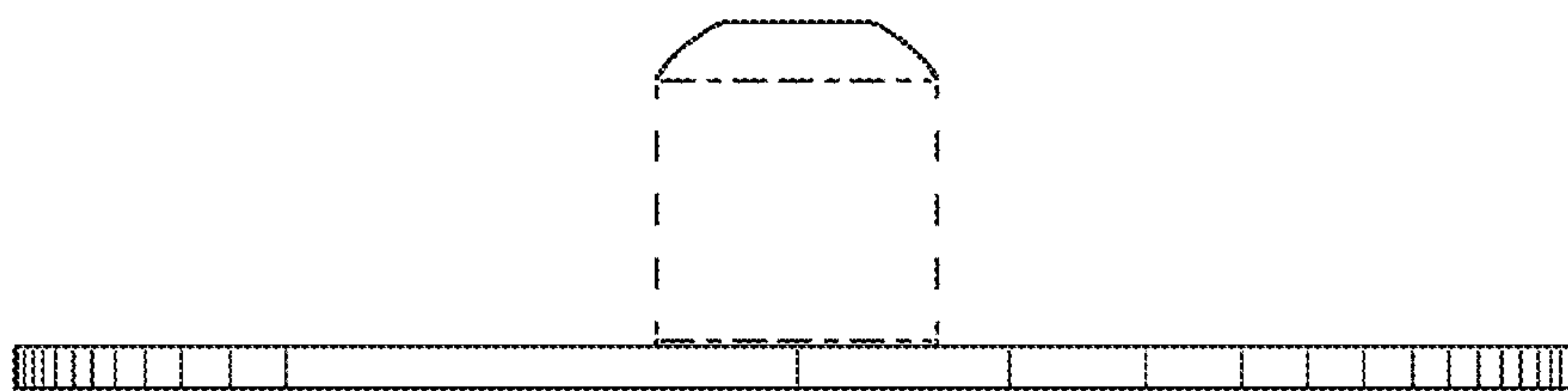


FIG. 4



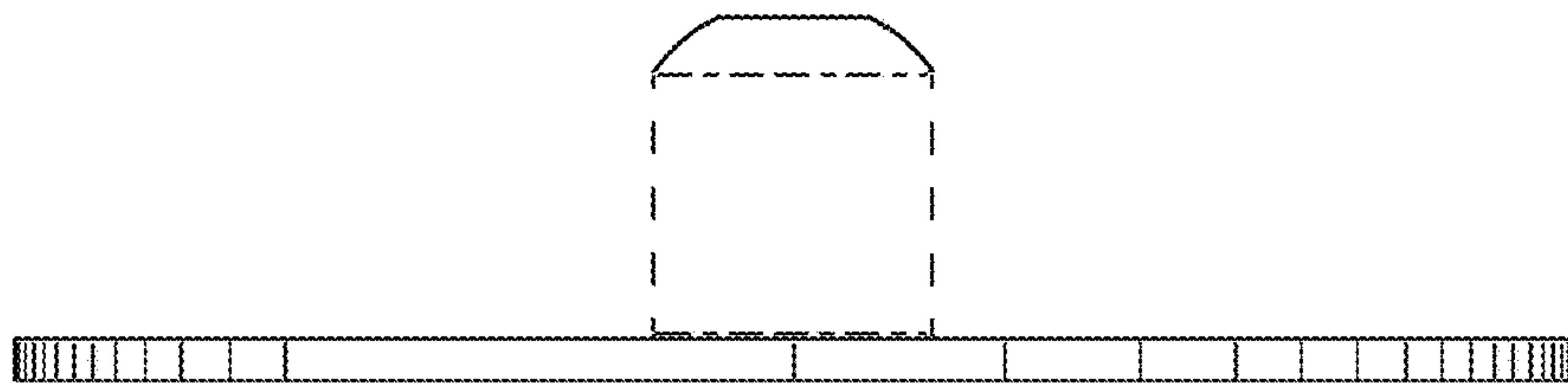


FIG. 5

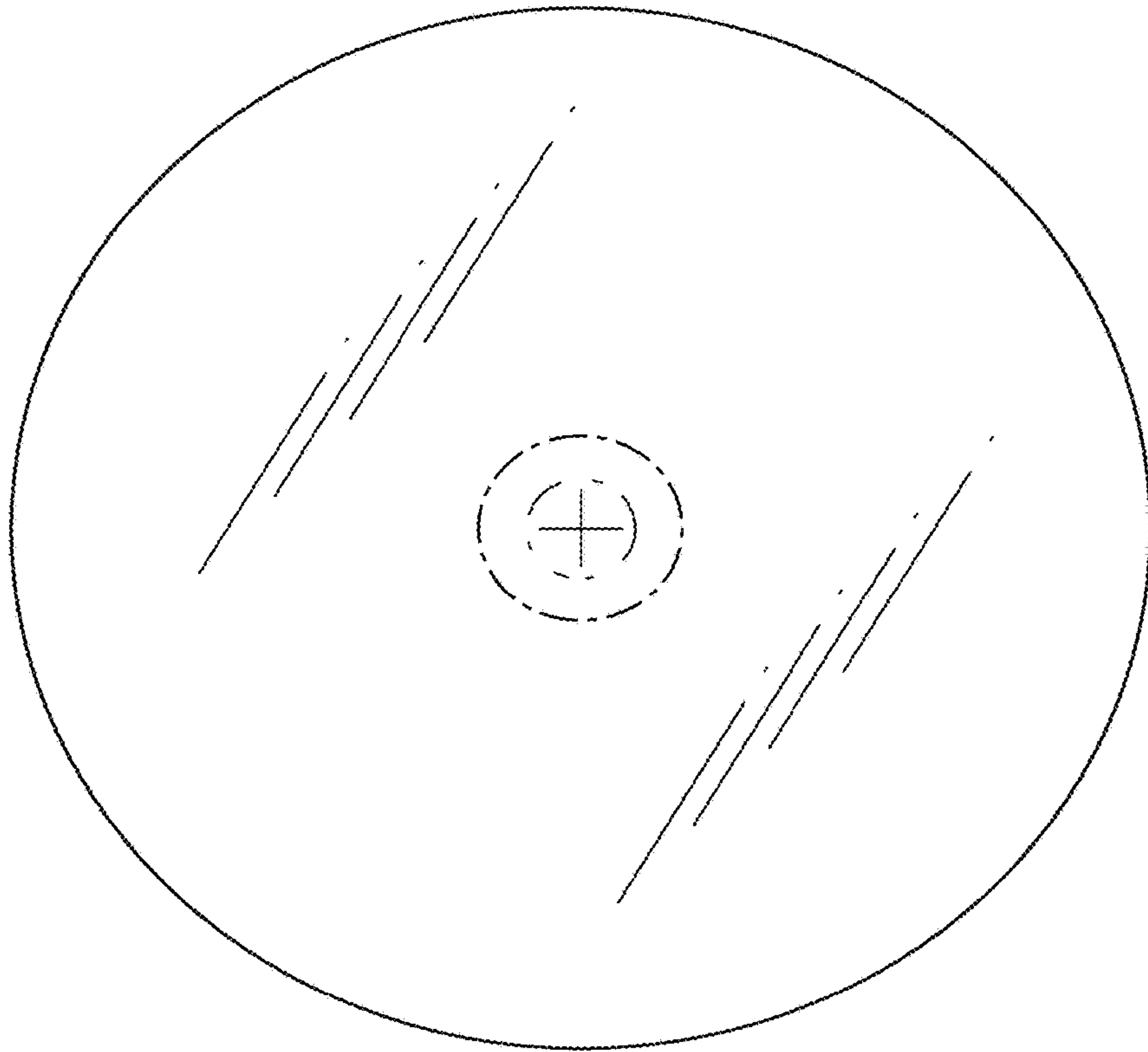


FIG. 6

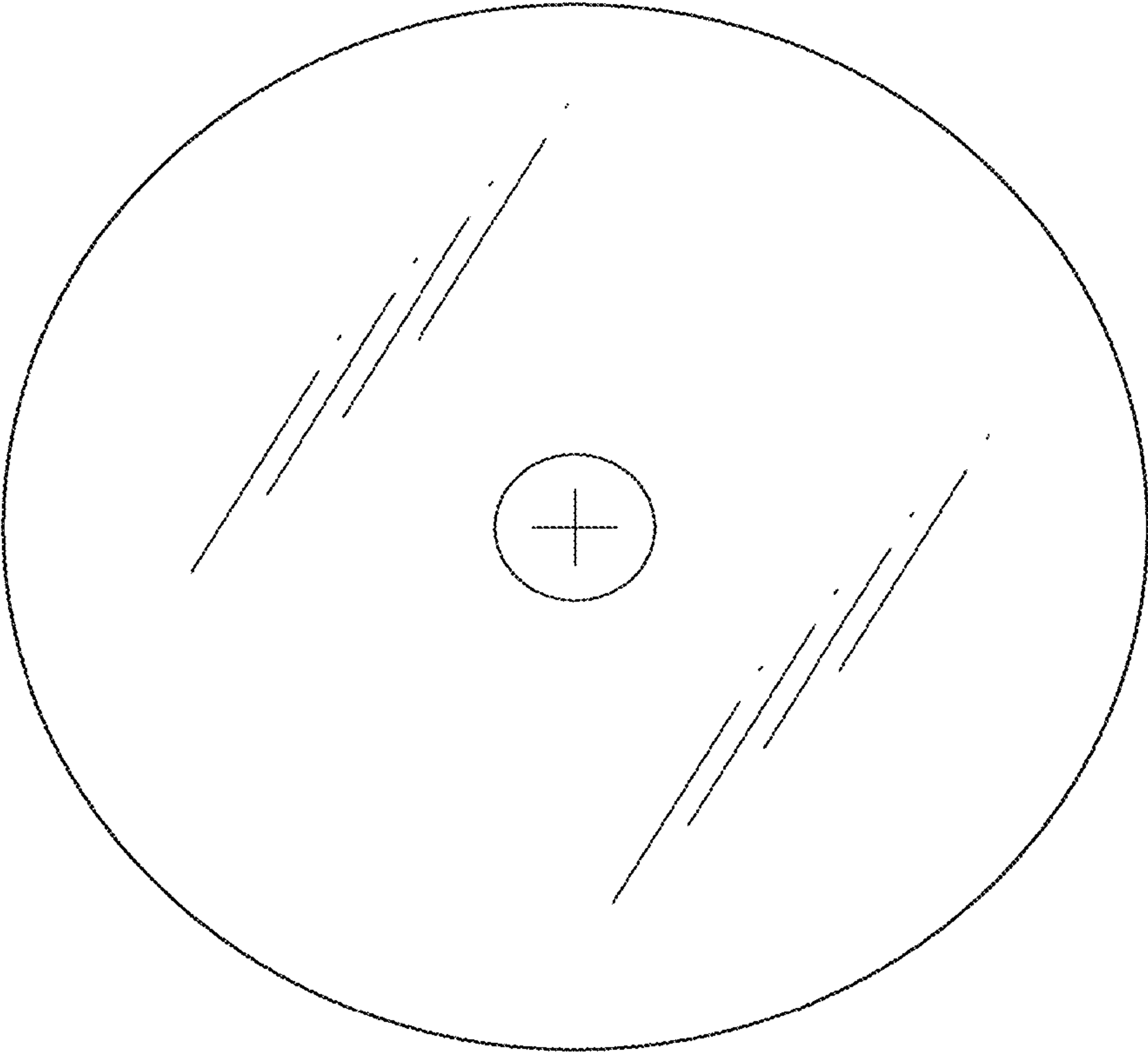


FIG. 7