

US00D866247S

(12) **United States Design Patent** (10) **Patent No.:** **US D866,247 S**
Exley (45) **Date of Patent:** **** Nov. 12, 2019**

(54) **CRANK ASSEMBLY**

(56) **References Cited**

(71) Applicant: **Ontel Products Corporation**, Fairfield, NJ (US)

U.S. PATENT DOCUMENTS

(72) Inventor: **Ross Exley**, Morristown, NJ (US)

1,364,552 A 1/1921 Hill, Jr.
2,695,643 A * 11/1954 Aberer A47J 43/255
241/273.3

(73) Assignee: **Ontel Products Corporation**, Fairfield, NJ (US)

D254,590 S 4/1980 Doyel
5,058,261 A 10/1991 Kitamura
5,927,701 A 7/1999 Chapman
D414,983 S * 10/1999 Wong D7/381
6,053,098 A * 4/2000 Yamamoto B26D 3/11
83/425.1

(**) Term: **15 Years**

(21) Appl. No.: **29/667,411**

6,253,670 B1 7/2001 Gingras
D448,629 S * 10/2001 Wong D7/381
6,854,383 B2 2/2005 Wang
D747,916 S * 1/2016 Wong D7/381

(22) Filed: **Oct. 22, 2018**

(Continued)

Related U.S. Application Data

FOREIGN PATENT DOCUMENTS

(62) Division of application No. 15/053,857, filed on Feb. 25, 2016.

CN 202723661 U 2/2013
CN 202723661 U 2/2013

(51) **LOC (12) Cl.** **31-00**

(Continued)

(52) **U.S. Cl.**

Primary Examiner — Ricky Pham

USPC **D7/381**

(74) *Attorney, Agent, or Firm* — John S. Artz; Dickinson Wright PLLC

(58) **Field of Classification Search**

(57) **CLAIM**

USPC D7/376–386, 412, 673, 693
CPC A47J 43/255; B26D 1/14; B26D 1/143;
B26D 1/15; B26D 1/153; B26D 1/157;
B26D 1/18; B26D 1/28; B26D 3/11;
B26D 5/00; B26D 5/06; B26D 5/08;
B26D 5/10; B26D 5/12; B26D 5/22;
B26D 5/26; B26D 5/38; B26D 5/42;
B26D 7/00; B26D 7/01; B26D 7/08;
B26D 7/12; B26D 7/18; B26D 7/1818;
B26D 7/22; B26D 7/225; B26D 7/24;
B26D 7/26; B26D 7/2614; B26D 7/2621;
B26D 7/2628; B26D 7/2635; B26D 7/30;
B26D 7/32; B26D 7/325; B27G 13/00;
B27G 13/005; B27G 13/10

The ornamental design for a crank assembly, substantially as shown as described.

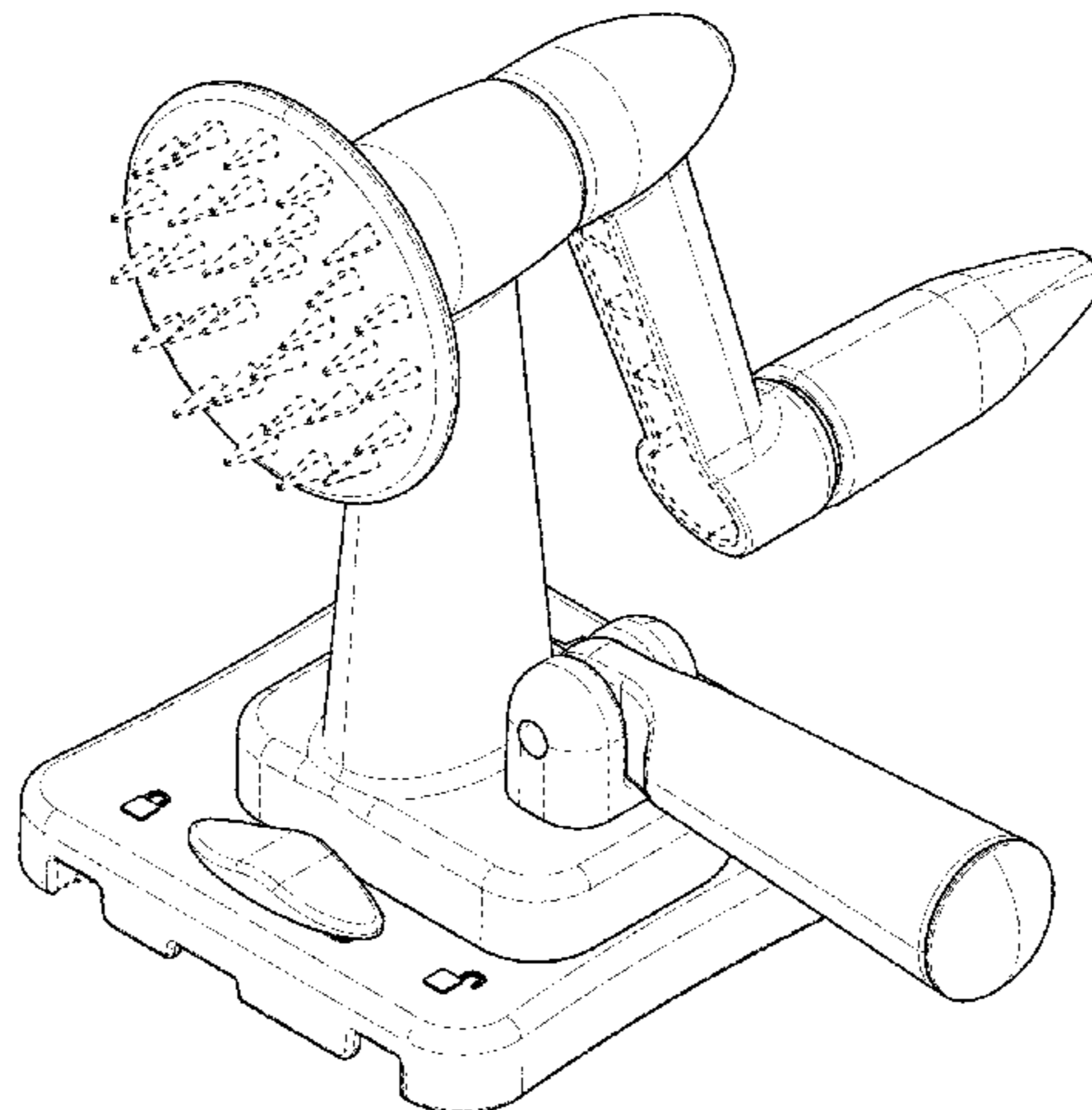
DESCRIPTION

See application file for complete search history.

FIG. 1 is a front elevated isometric view of my design;
FIG. 2 is a rear bottom isometric view of my design;
FIG. 3 is a front side view of my design;
FIG. 4 is a rear side view of my design;
FIG. 5 is a right side view of my design;
FIG. 6 is a left side view of my design;
FIG. 7 is a top view of my design; and,
FIG. 8 is a bottom view of my design.

The broken lines shown in the drawings are included for the purpose of illustrating an environmental structure and form no part of the claimed design.

1 Claim, 8 Drawing Sheets



(56)

References Cited

U.S. PATENT DOCUMENTS

D770,224 S * 11/2016 Exley B26D 3/11
D7/412
D779,294 S * 2/2017 Friedman D7/693
D786,631 S * 5/2017 Kim B26D 3/11
D7/693
D796,917 S * 9/2017 Wong D7/381
D809,881 S * 2/2018 Exley D7/693
D830,140 S * 10/2018 Chen D7/693
2005/0098010 A1 5/2005 Hu
2016/0250768 A1* 9/2016 Levine B26D 3/11
83/52
2016/0257012 A1 9/2016 Wong
2016/0257013 A1* 9/2016 Exley B26D 3/11

FOREIGN PATENT DOCUMENTS

CN 202862268 U 4/2013
CN 202862268 U 4/2013
HK 1195706 11/2014
HK 1195706 A2 11/2014
WO 2016101415 A1 6/2016
WO WO2016101415 6/2016

* cited by examiner

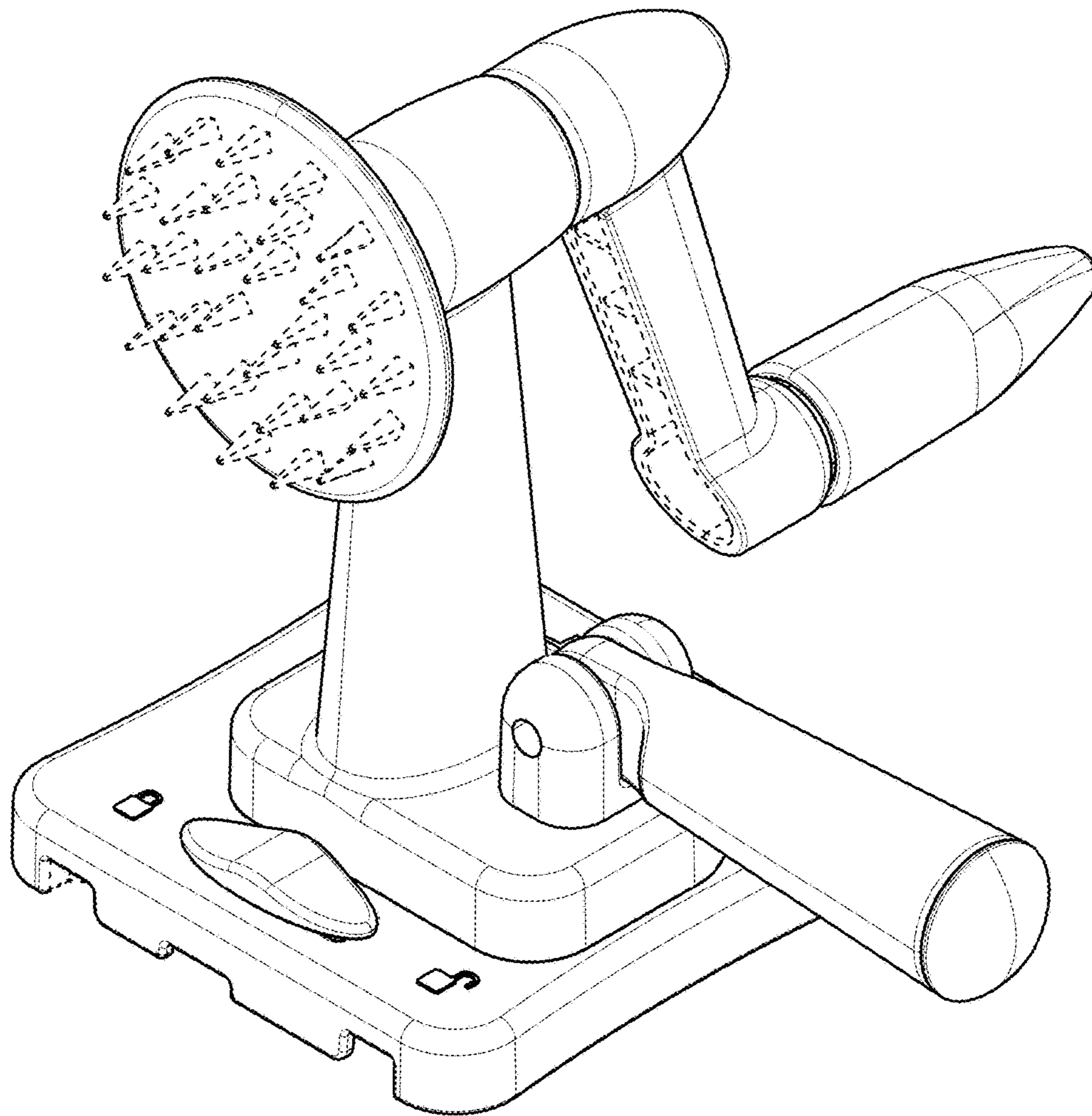


FIG. 1

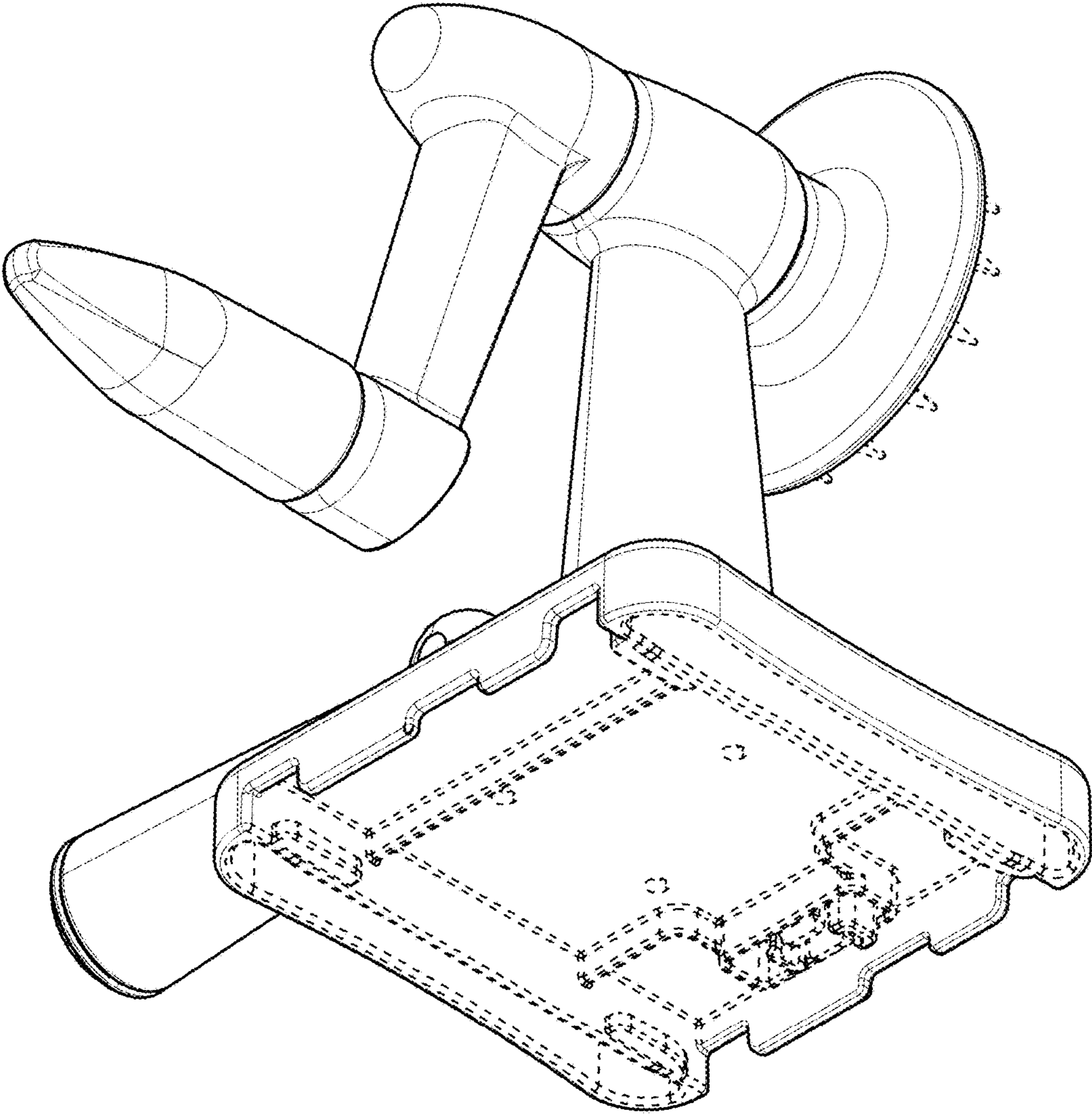


FIG. 2

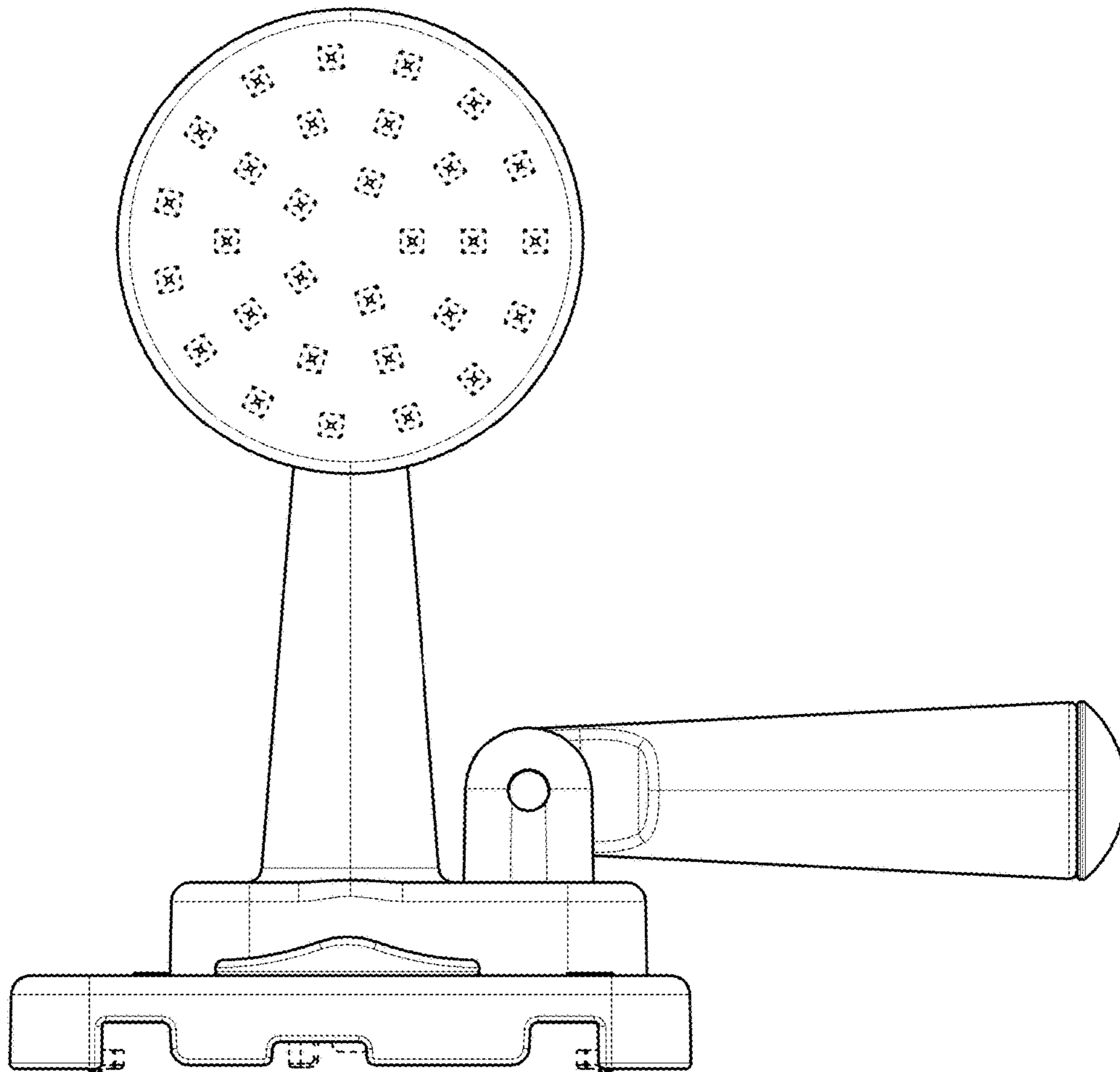


FIG. 3

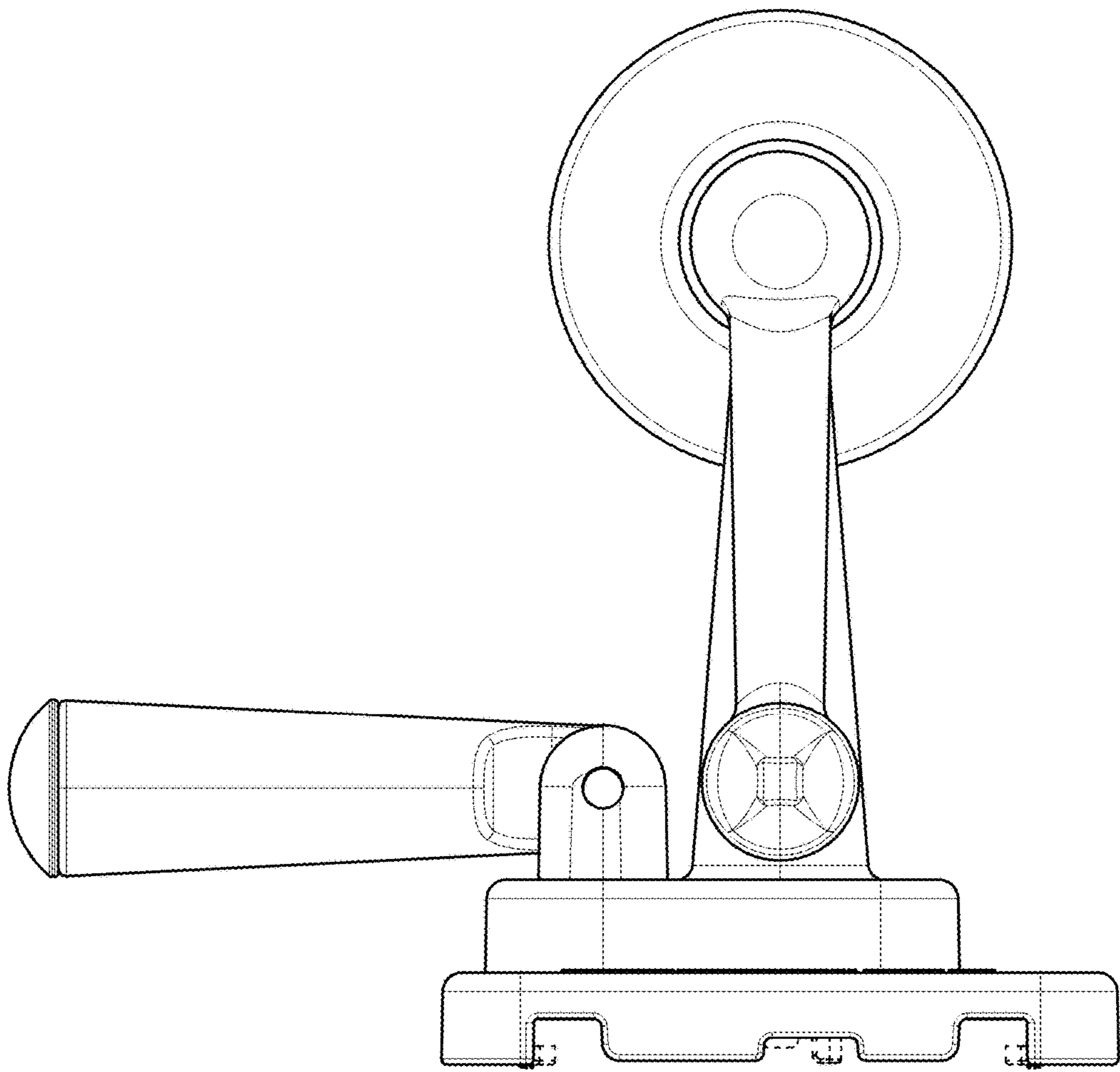


FIG. 4

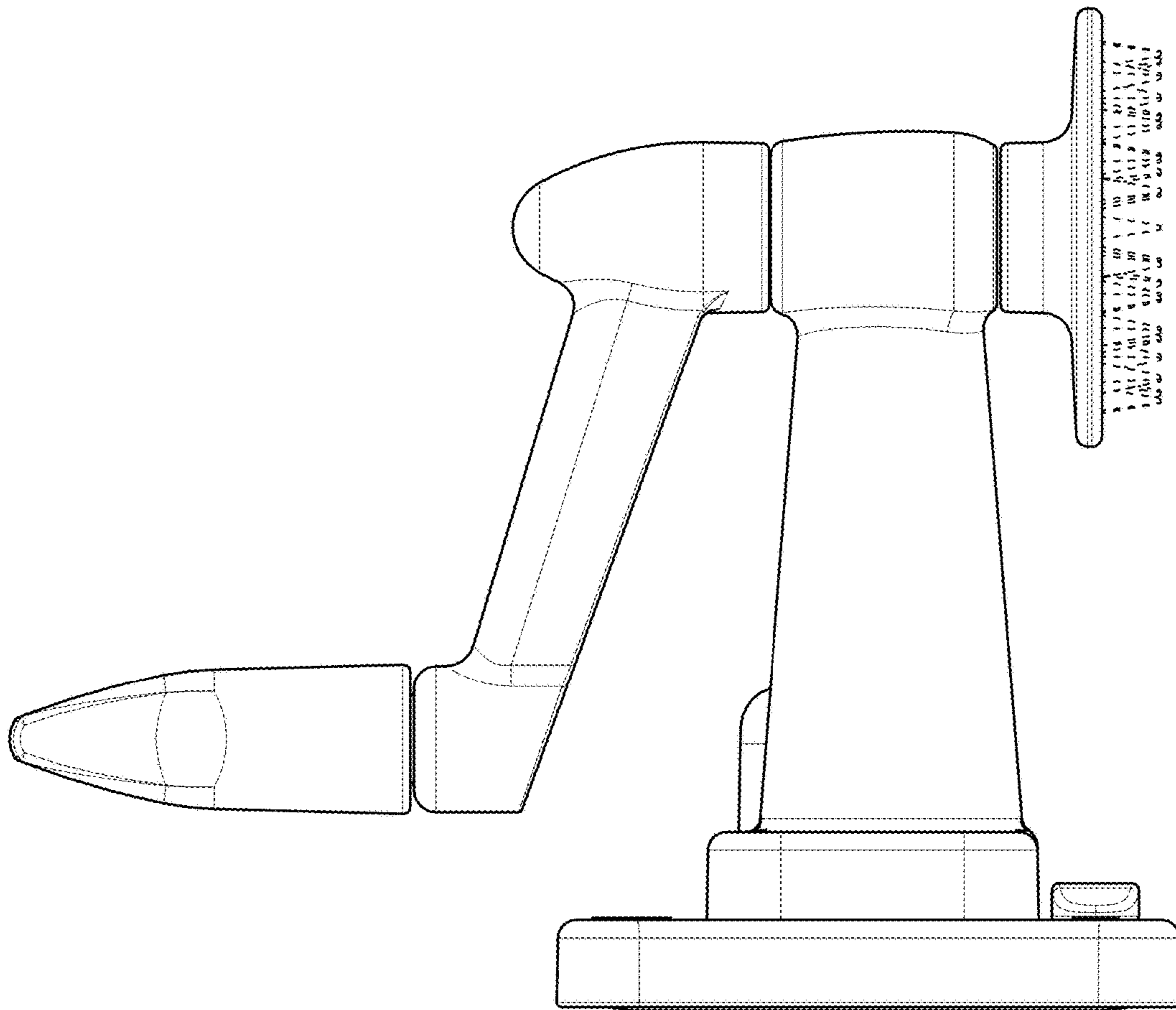


FIG. 5

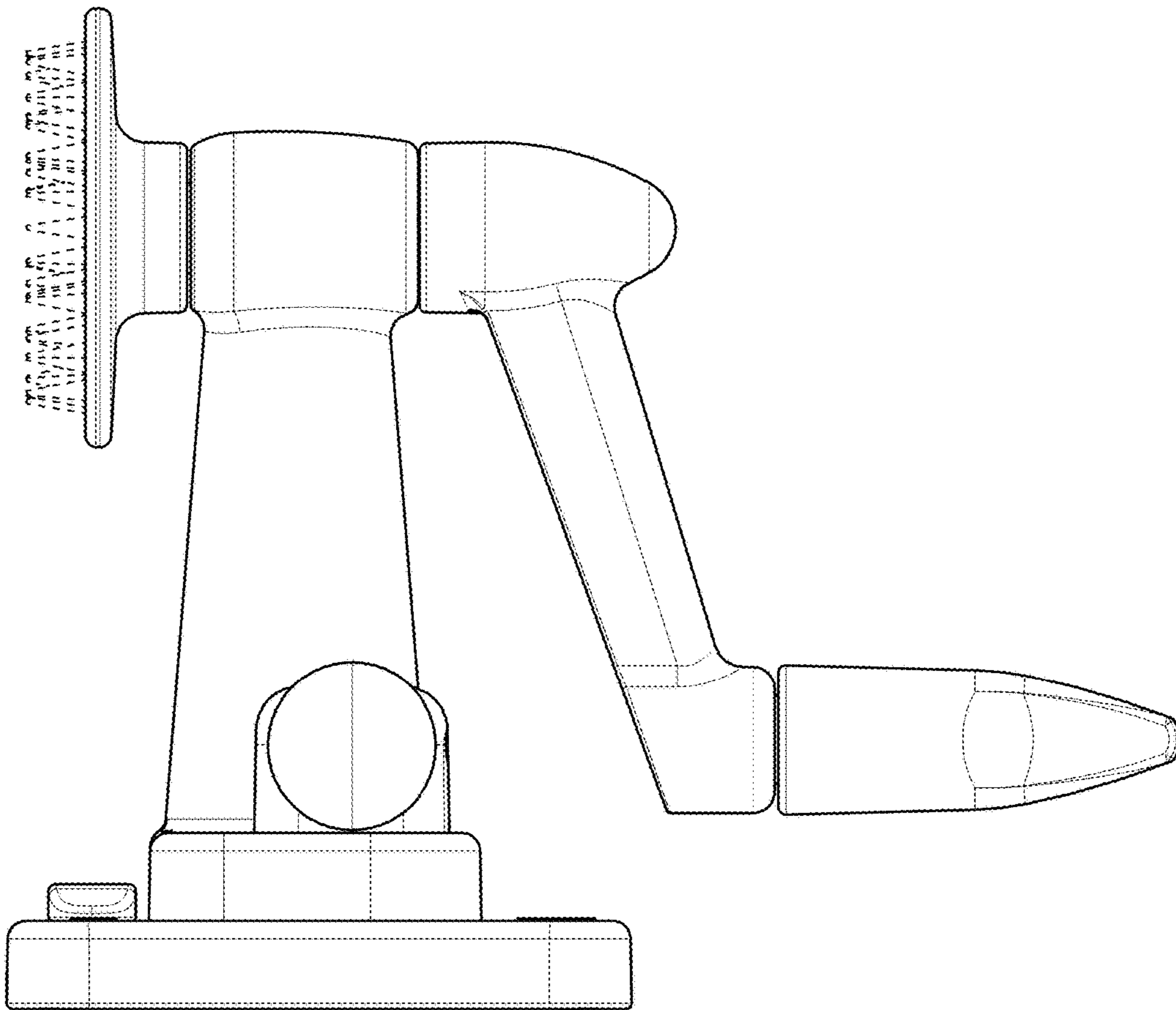


FIG. 6

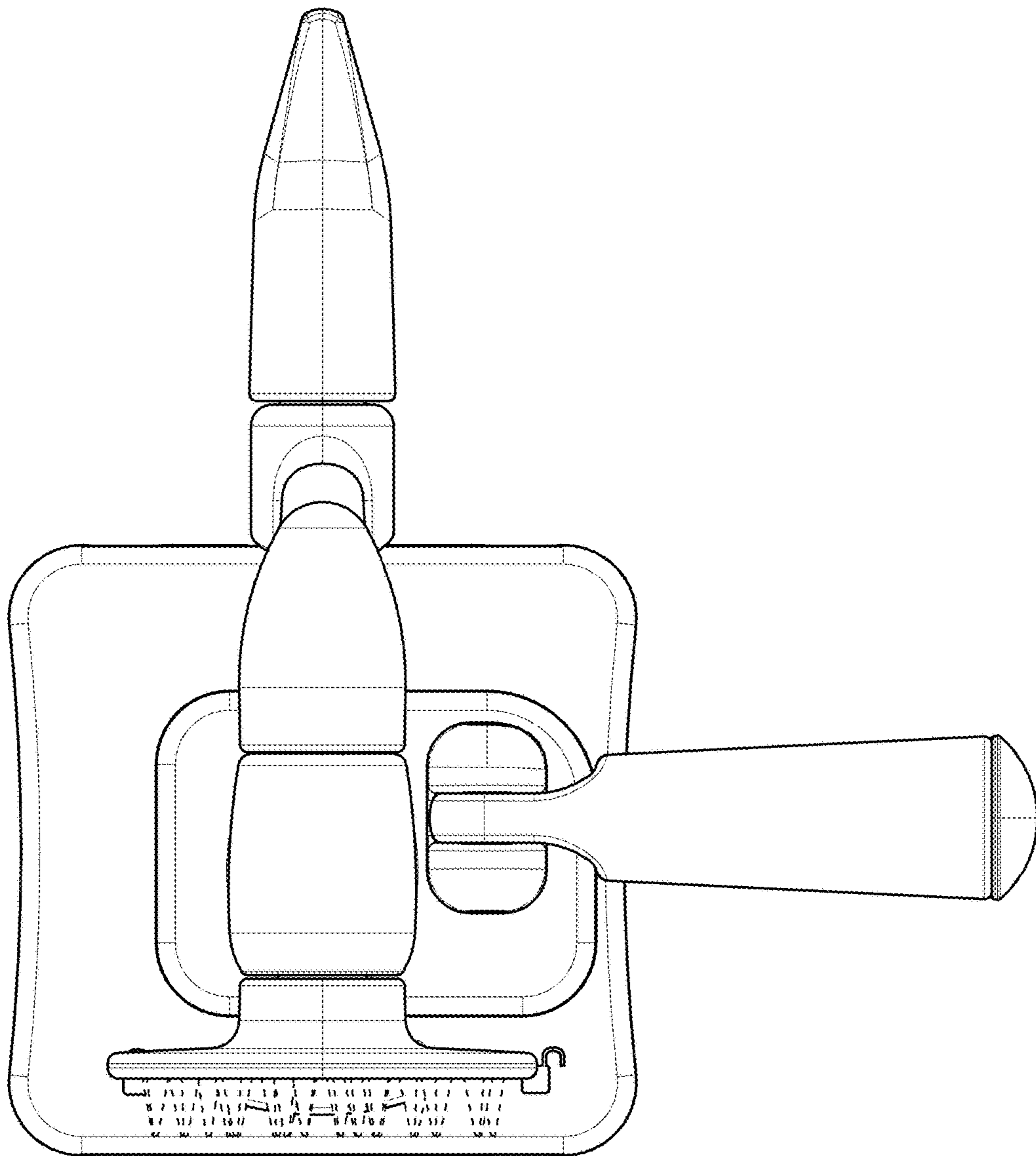


FIG. 7

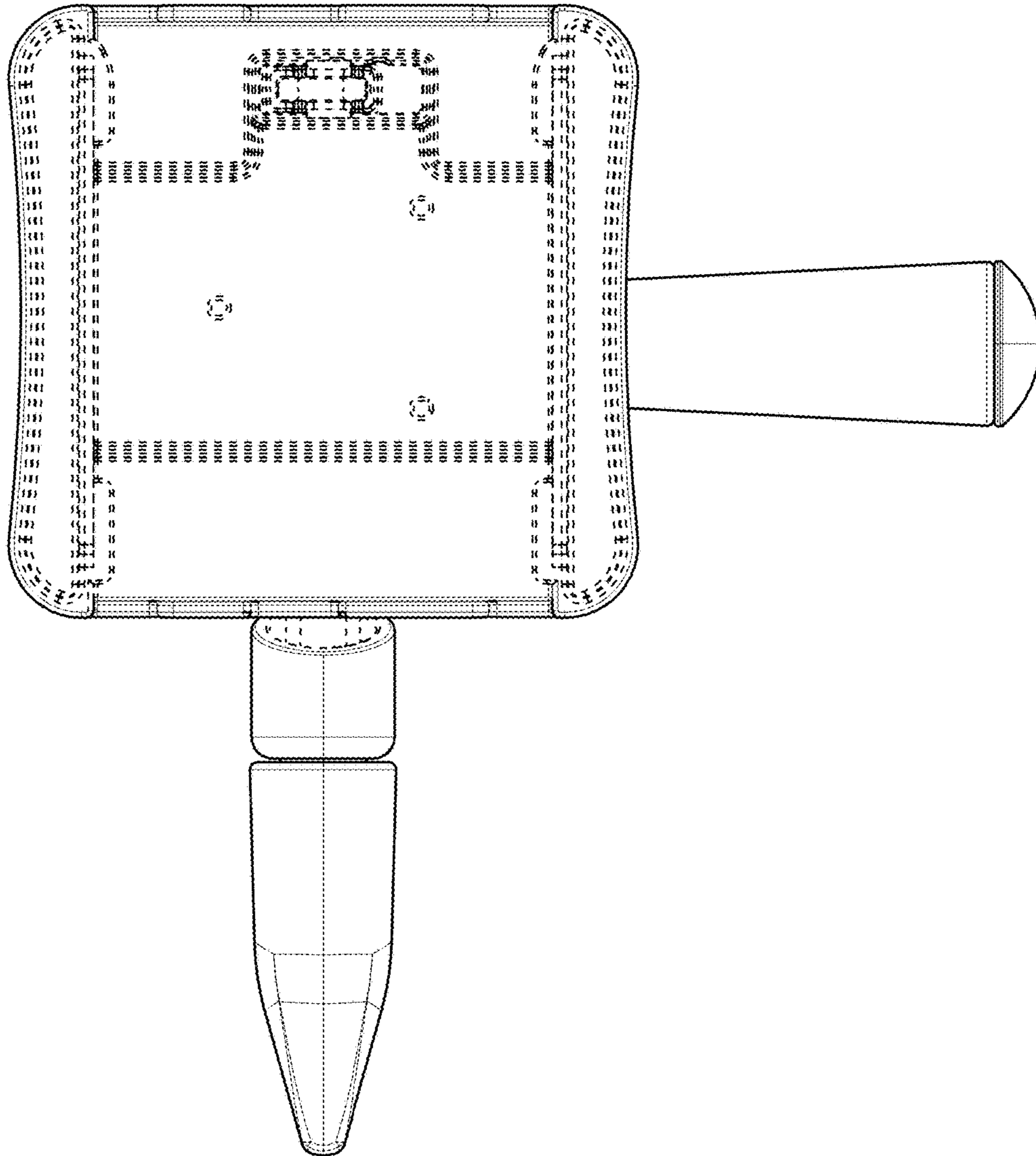


FIG. 8