



US00D866246S

(12) **United States Design Patent**
Zhu

(10) **Patent No.:** **US D866,246 S**

(45) **Date of Patent:** **** Nov. 12, 2019**

(54) **MIXER**

D655,568 S * 3/2012 Chapman D7/376
D703,481 S * 4/2014 Lownds D7/376
D758,788 S * 6/2016 Suzuki D7/376

(71) Applicant: **Peng Zhu**, Zhuhai (CN)

(72) Inventor: **Peng Zhu**, Zhuhai (CN)

(**) Term: **15 Years**

(21) Appl. No.: **29/698,241**

(22) Filed: **Jul. 15, 2019**

(51) **LOC (12) Cl.** **31-00**

(52) **U.S. Cl.**
USPC **D7/380**; D7/376; D7/379

(58) **Field of Classification Search**
USPC D7/372, 376–386, 412–413, 598, 602,
D7/629, 665–666, 669, 679, 690,
D7/693–694

CPC A21C 1/02; A21C 1/04; A23N 1/00; A23N
1/02; A47J 43/04; A47J 43/25; A47J
43/27; A47J 43/042; A47J 43/044; A47J
43/046; A47J 43/075; A47J 43/0722;
A47J 43/0727; B01F 3/00; B01F 3/0807;
B01F 3/0853; B01F 13/0059; B01F
13/0064; B02C 1/08; B02C 2/04; B02C
4/42; B02C 4/142; B02C 4/143; B02C
4/423; B02C 13/1835; B28C 5/10; B28C
5/12; B28C 5/14; B28C 5/16

See application file for complete search history.

(56) **References Cited**

U.S. PATENT DOCUMENTS

D121,299 S * 7/1940 Krebs D7/379
D313,533 S * 1/1991 Rixen D7/380
D323,955 S * 2/1992 Rixen D7/376
D327,603 S * 7/1992 van Asten D7/376
D489,583 S * 5/2004 Cheung D7/690

OTHER PUBLICATIONS

Dimux Electric Milk Frother Handheld; Jun. 30, 2019; Amazon
<https://www.amazon.com/dp/B07TS13214> (Year: 2019).*

“DuDuDu Casa Huevo eléctrico eggbeater Cocina Mano Leche café
té Mixer Extractor”. Retrieved Jul. 15, 2019]. Retrieved from
Internet, [https://www.amazon.es/DuDuDu-el%C3%A9ctrico-eggbeater-
Cocina-Extractoridp/B07L5JZJRZ/](https://www.amazon.es/DuDuDu-el%C3%A9ctrico-eggbeater-Cocina-Extractoridp/B07L5JZJRZ/).

“Jullyelegant Electric Mini Beating Egg Stainless Steel & ABS
Plastic Coffee Mixer Foam Kitchen Tool Coffee Milk Drink Mixer
Stirrer Home Equipment—Black”, Retrieved Jul. 15, 2019]. Retrieved
from Internet, [https://www.amazon.es/Jullyelegant-Electric-Beating-
Stainless-Equipment/dp/B07TVXYL66/](https://www.amazon.es/Jullyelegant-Electric-Beating-Stainless-Equipment/dp/B07TVXYL66/).

* cited by examiner

Primary Examiner — Ricky Pham

(57) **CLAIM**

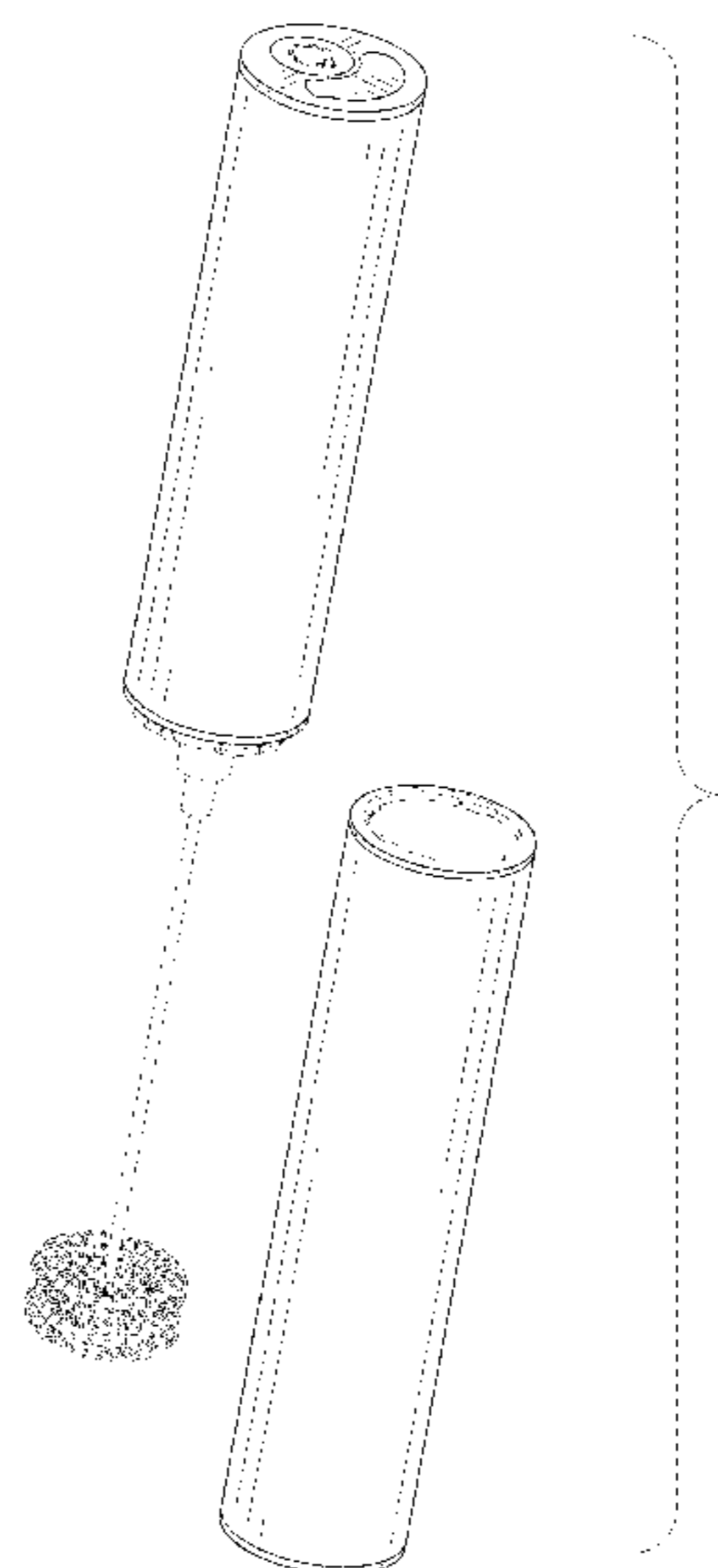
The ornamental design for a mixer, as shown and described.

DESCRIPTION

FIG. 1 is a perspective view of a mixer showing;
FIG. 2 is another perspective view thereof;
FIG. 3 is a front elevational view thereof;
FIG. 4 is a rear elevational view thereof;
FIG. 5 is a left side elevational view thereof;
FIG. 6 is a right side elevational view thereof;
FIG. 7 is a top plan view thereof;
FIG. 8 is a bottom plan view thereof; and,
FIG. 9 is a perspective view of the mixer where a mixer body
is separate from a mixer cover.

The broken lines in the drawings depict portions of the mixer
that form no part of the claimed design.

1 Claim, 9 Drawing Sheets



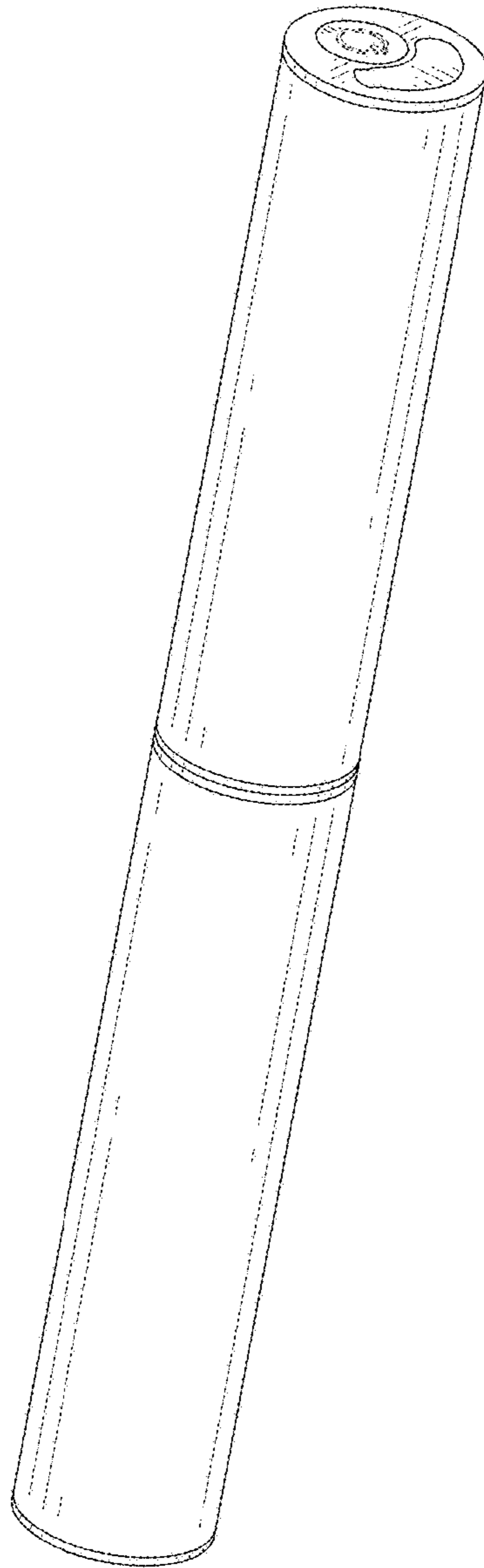


FIG. 1

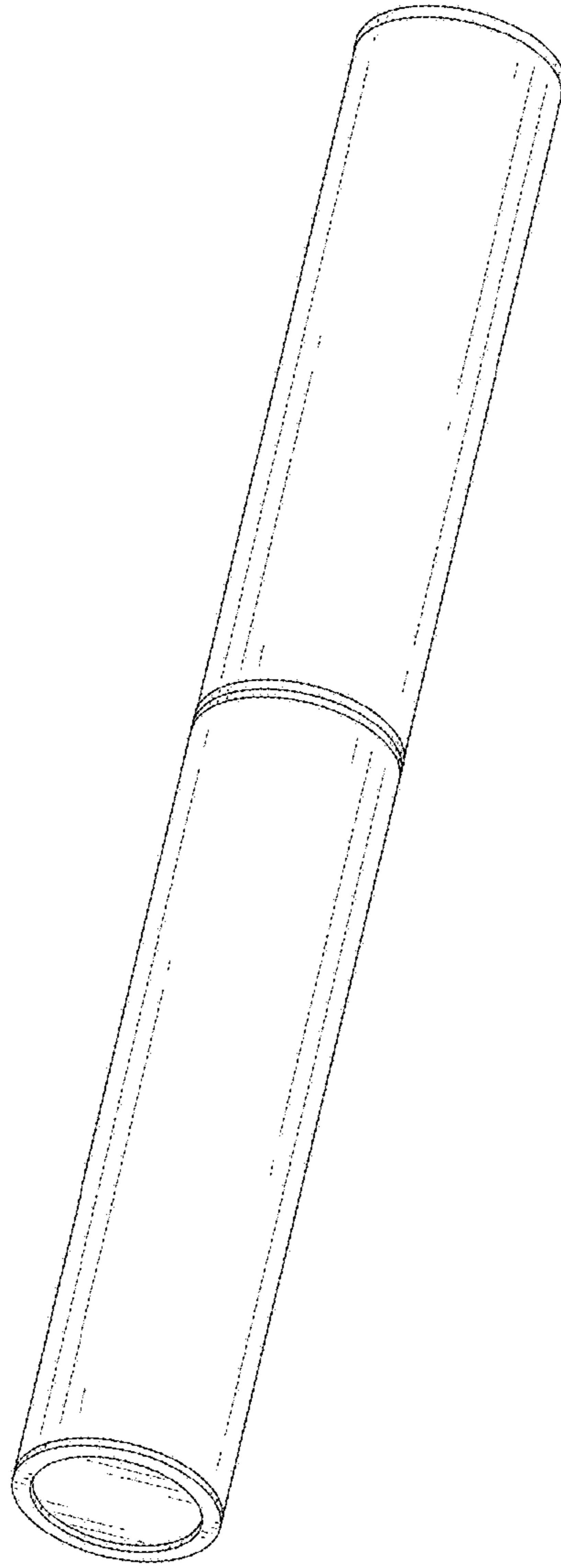


FIG. 2

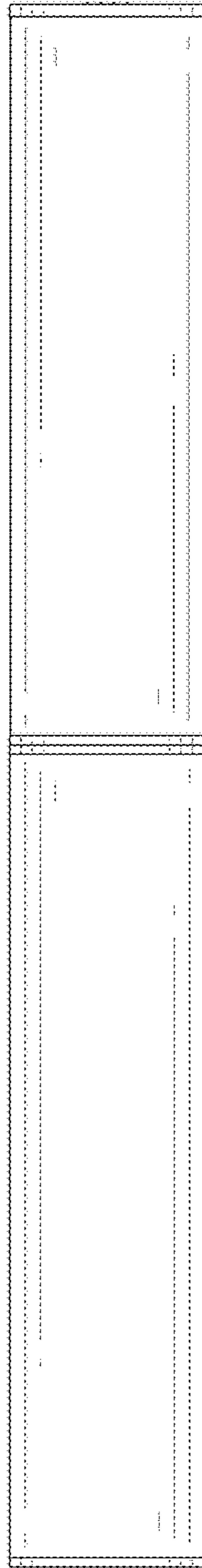


FIG. 3

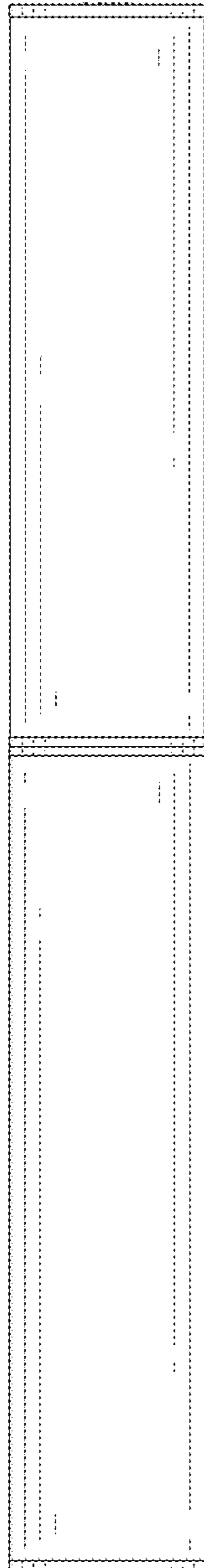


FIG. 4

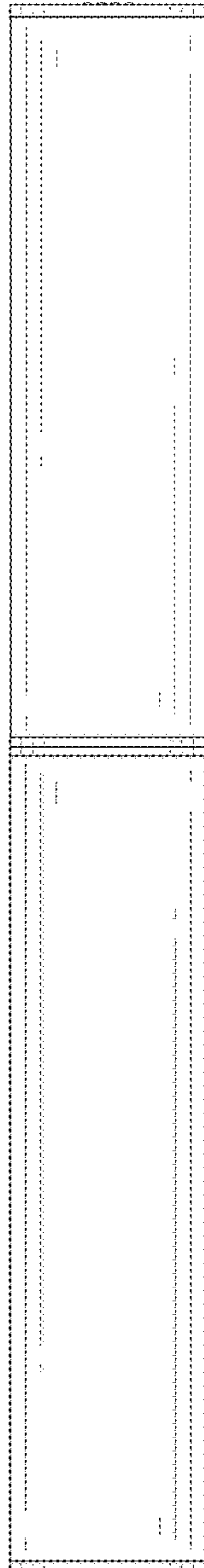


FIG. 5

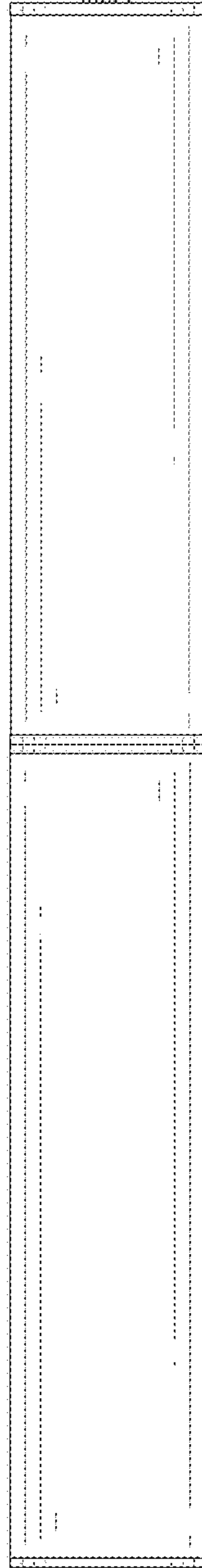


FIG. 6

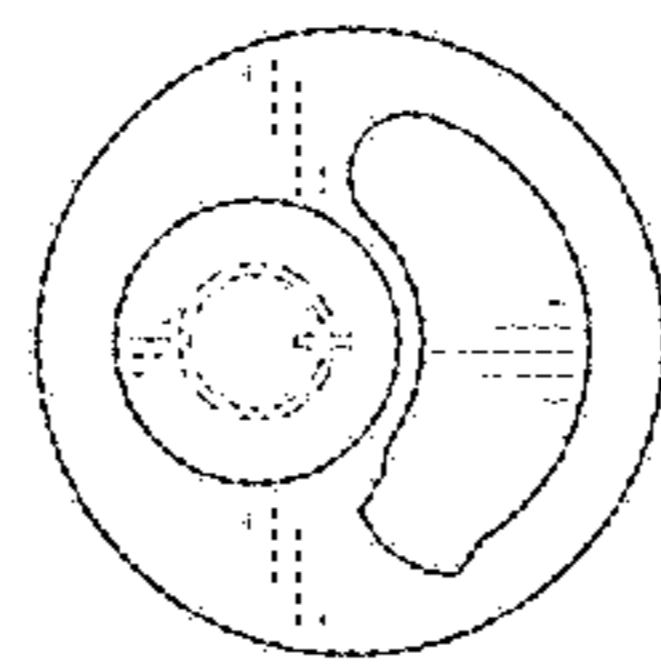


FIG. 7

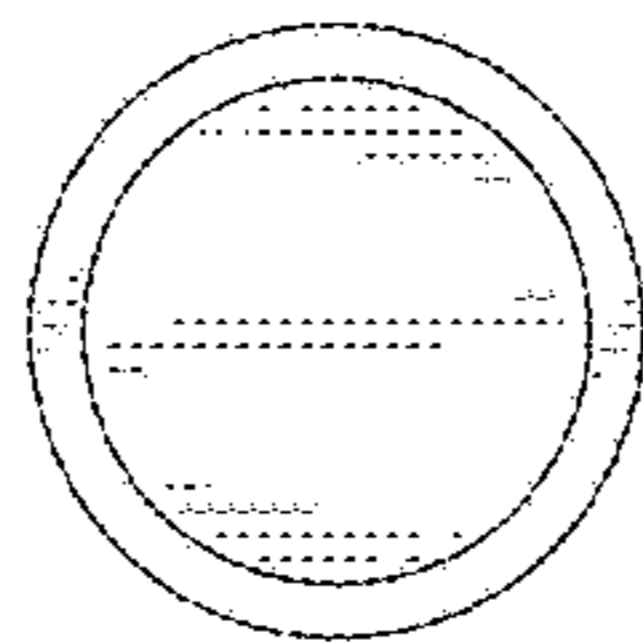


FIG. 8

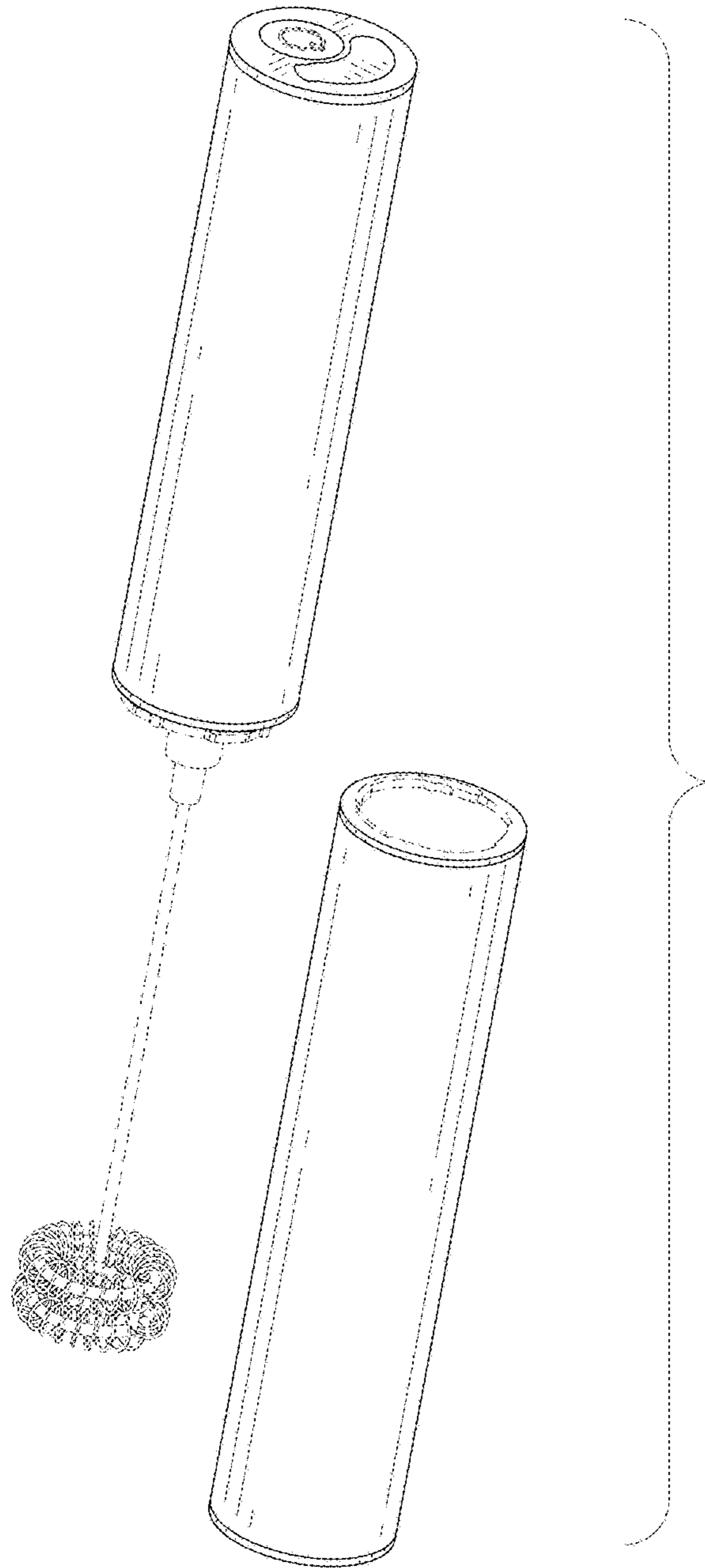


FIG. 9