



US00D866245S

(12) **United States Design Patent** (10) **Patent No.:** **US D866,245 S**
Rupp (45) **Date of Patent:** **** Nov. 12, 2019**

(54) **ICE SHAVER WITH SPOUT**

2013/1864; B30B 9/00; B30B 9/16; B30B 9/18; B30B 9/20; B30B 9/26; B30B 9/205; B30B 9/207

(71) Applicant: **Snowie LLC**, Salt Lake City, UT (US)

See application file for complete search history.

(72) Inventor: **Carl A. Rupp**, Salt Lake City, UT (US)

(73) Assignee: **Snowie LLC**, Salt Lake City, UT (US)

(56) **References Cited**

(**) Term: **15 Years**

U.S. PATENT DOCUMENTS

(21) Appl. No.: **29/672,124**

D227,314	S	*	6/1973	Mantelet	310/66
4,386,740	A	*	6/1983	Van Deursen	A47J 43/255 241/285.2
D332,558	S	*	1/1993	Hoshino	D8/62
6,592,441	B2	*	7/2003	McCracken	A47L 11/164 451/357
D478,488	S	*	8/2003	Bruno	D8/62
D484,738	S	*	1/2004	Wong	D7/372
D503,601	S	*	4/2005	Park	D8/62
D507,731	S	*	7/2005	Robson	D8/62
D677,975	S	*	3/2013	Jin	D7/372

(22) Filed: **Dec. 3, 2018**

Related U.S. Application Data

(63) Continuation of application No. 29/641,052, filed on Mar. 19, 2018, now Pat. No. Des. 834,880, which is a continuation of application No. 29/584,188, filed on Nov. 11, 2016, now Pat. No. Des. 812,961, which is a continuation of application No. 14/520,254, filed on Oct. 21, 2014.

(Continued)

(51) **LOC (12) Cl.** **31-00**

Primary Examiner — Ricky Pham

(52) **U.S. Cl.**

(74) *Attorney, Agent, or Firm* — Terrance J. Edwards;
TechLaw Ventures, PLLC

USPC **D7/374**

(57) **CLAIM**

(58) **Field of Classification Search**

I claim the ornamental design for an ice shaver with spout, as shown and described.

USPC D7/325, 372, 376–386, 665–666, 669, D7/678–679, 693–694; D8/62

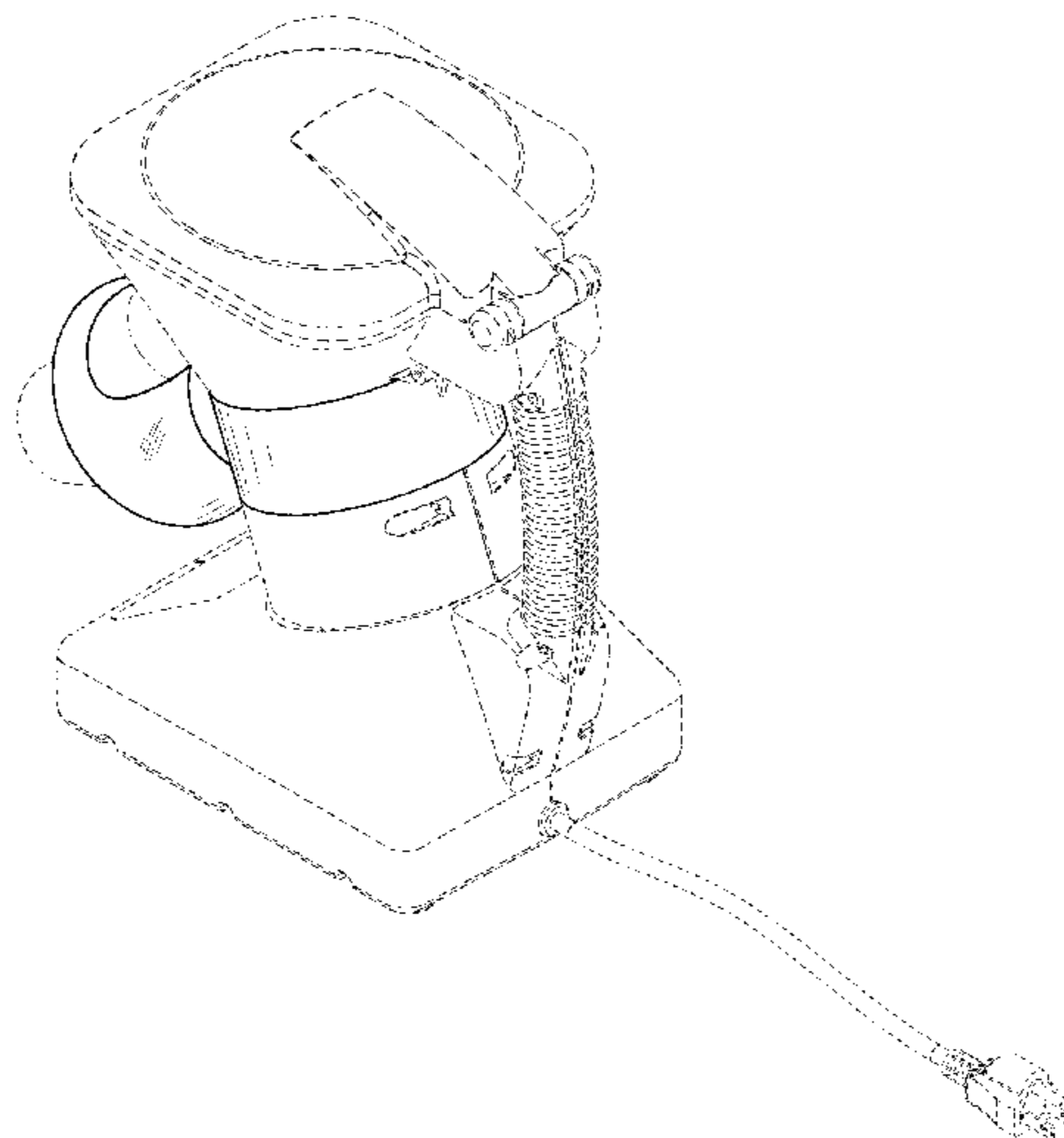
DESCRIPTION

CPC A01F 2015/07; A01F 2015/077; A01F 2015/0775; A23N 1/00; A23N 1/02; A47J 19/00; A47J 19/005; A47J 19/02; A47J 19/04; A47J 19/06; A47J 42/32; A47J 42/34; A47J 42/36; A47J 43/044; A47J 43/25; A47J 43/255; A47L 11/164; B01F 7/26; B01F 7/28; B01F 11/0082; B01F 13/04; B02C 13/00; B02C 13/02; B02C 13/10; B02C 18/06; B02C 18/26; B02C 18/30; B02C 18/302; B02C 18/304; B02C 18/305; B02C 25/00; B02C 2002/00; B02C 2013/00; B02C 2013/14; B02C 2013/145; B02C 2013/18; B02C 2013/1807; B02C 2013/1857; B02C

FIG. 1 is a rear perspective view of an ice shaver with spout showing my new design;
FIG. 2 is a side view thereof;
FIG. 3 is an opposite side view thereof;
FIG. 4 is a front view thereof;
FIG. 5 is a rear view thereof;
FIG. 6 is a top view thereof; and,
FIG. 7 is a bottom view thereof.

The broken lines shown in the drawings are for illustrative purposes only and form no part of the claimed design.

1 Claim, 5 Drawing Sheets



(56)

References Cited

U.S. PATENT DOCUMENTS

D689,734 S *	9/2013	Bock	D7/376
D701,077 S *	3/2014	Whitner	D7/376
D729,568 S *	5/2015	Sands	D7/376
D811,151 S *	2/2018	Issler	D7/325

* cited by examiner

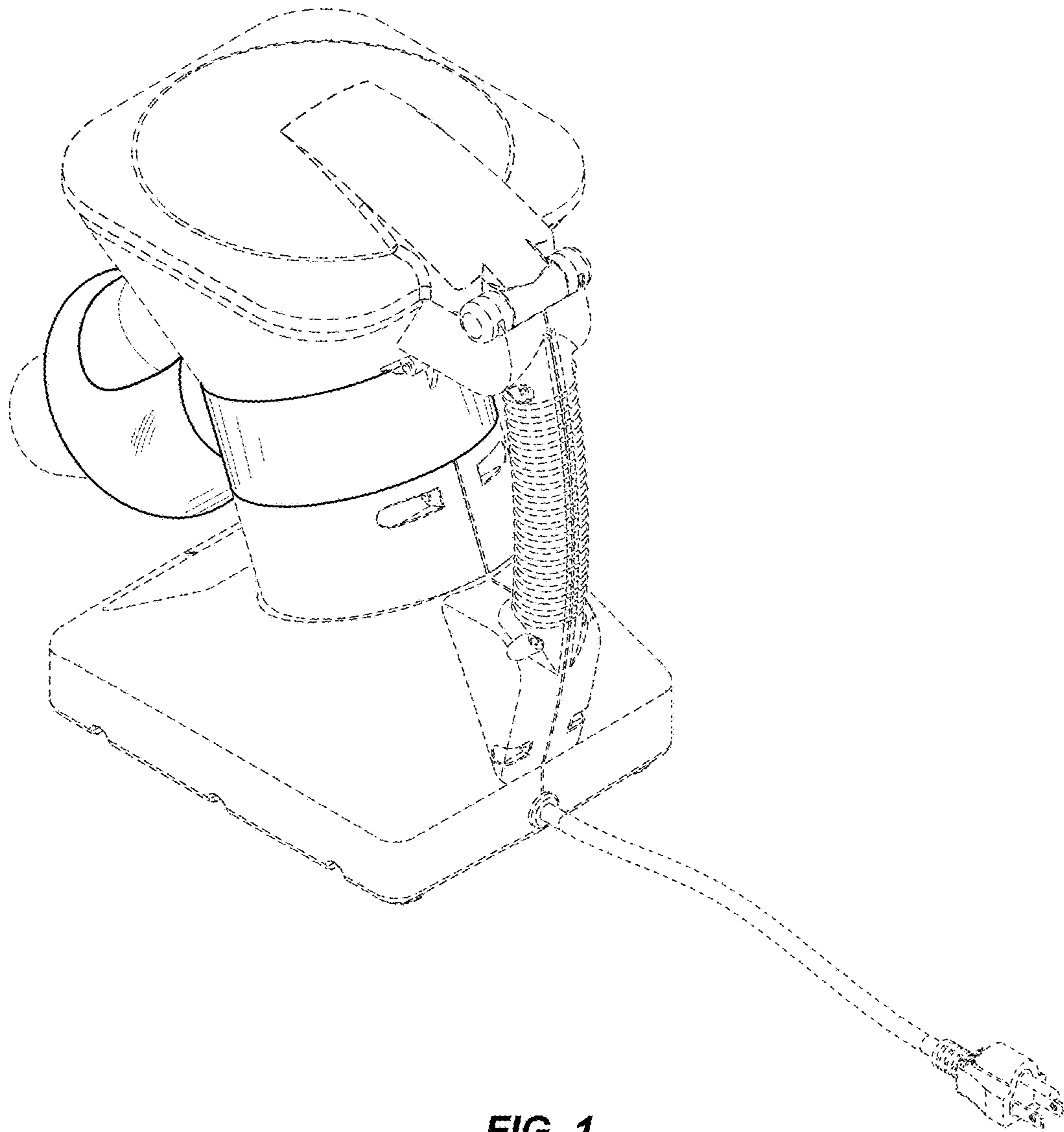


FIG. 1

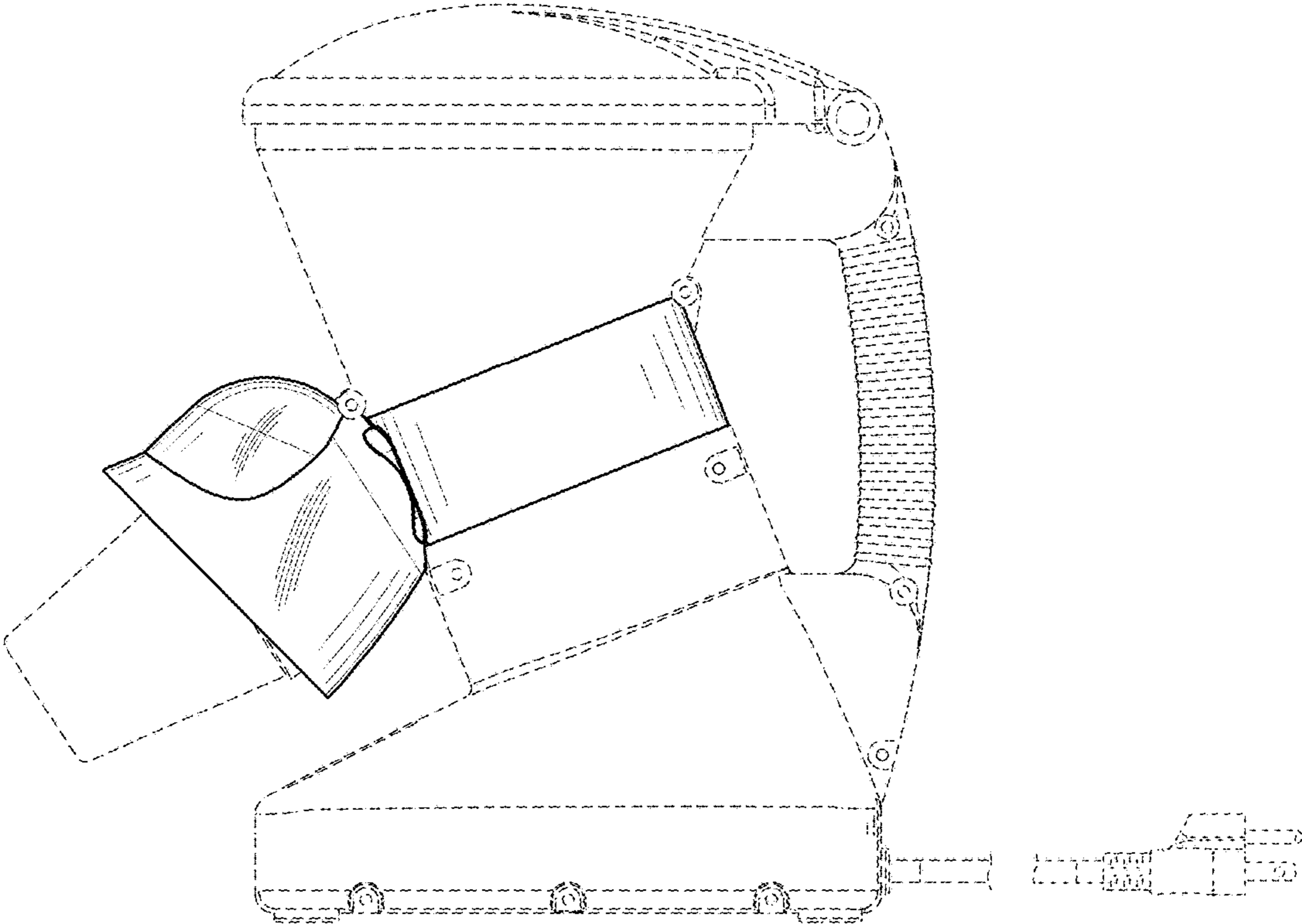


FIG. 2

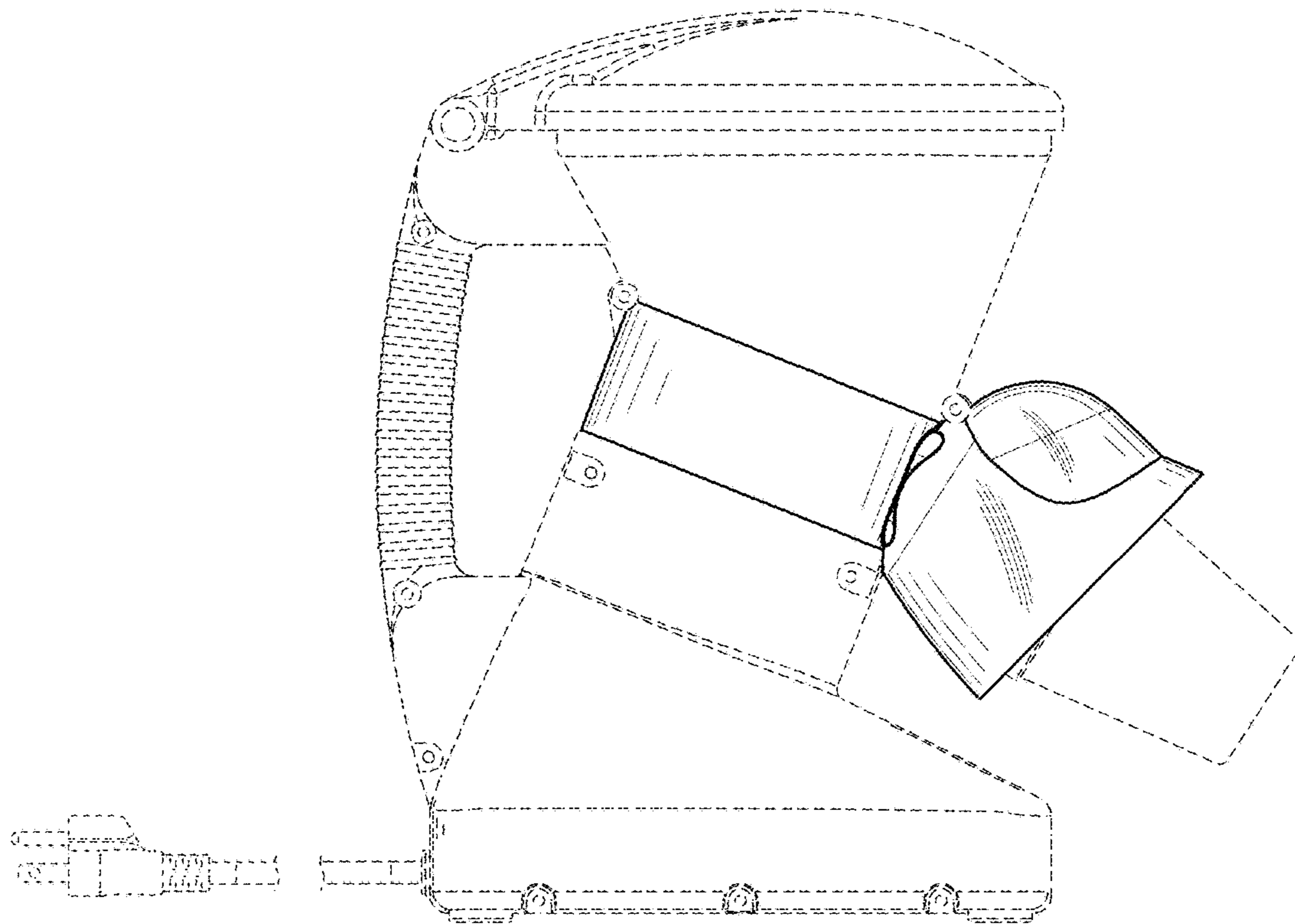


FIG. 3

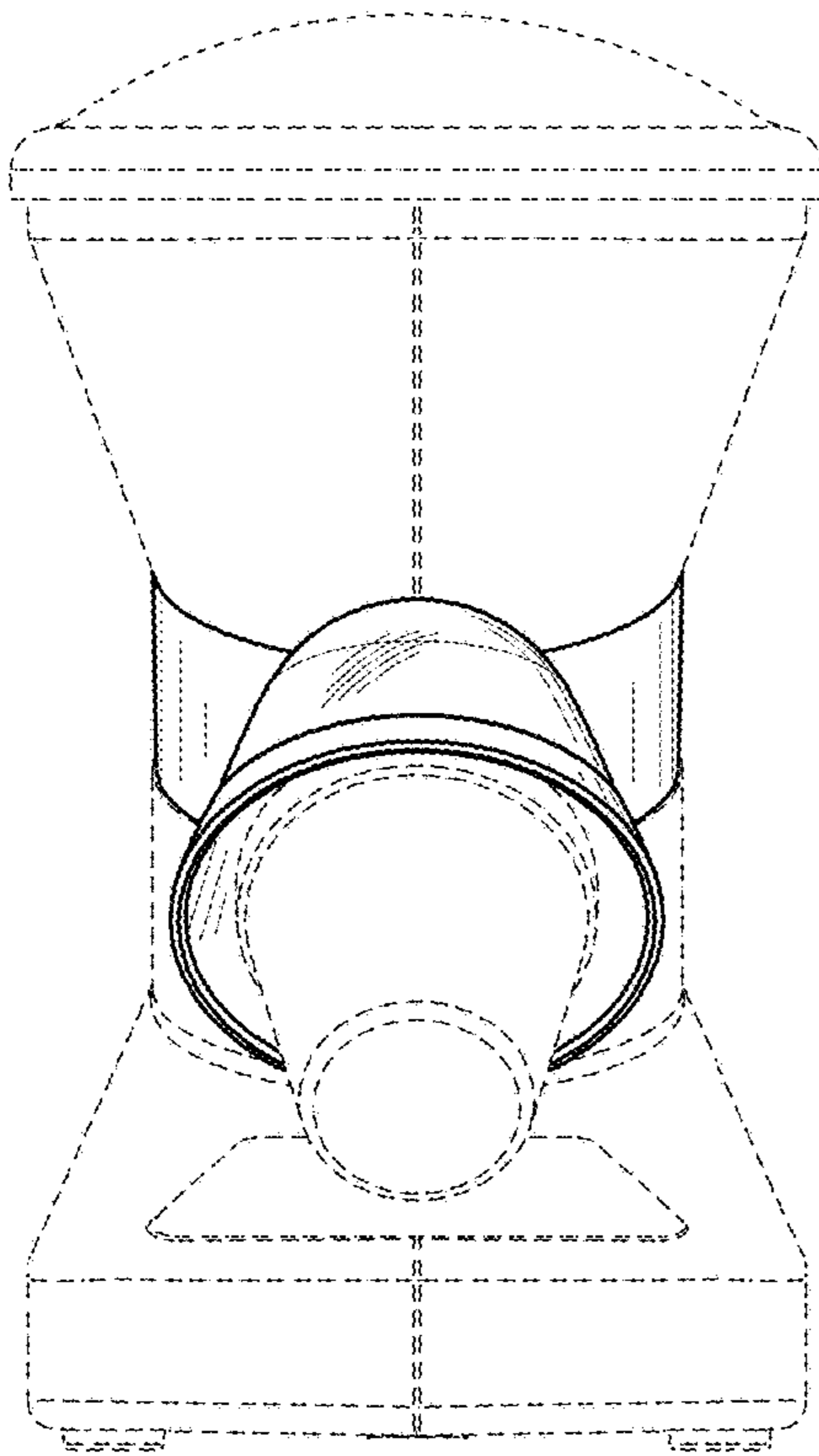


FIG. 4

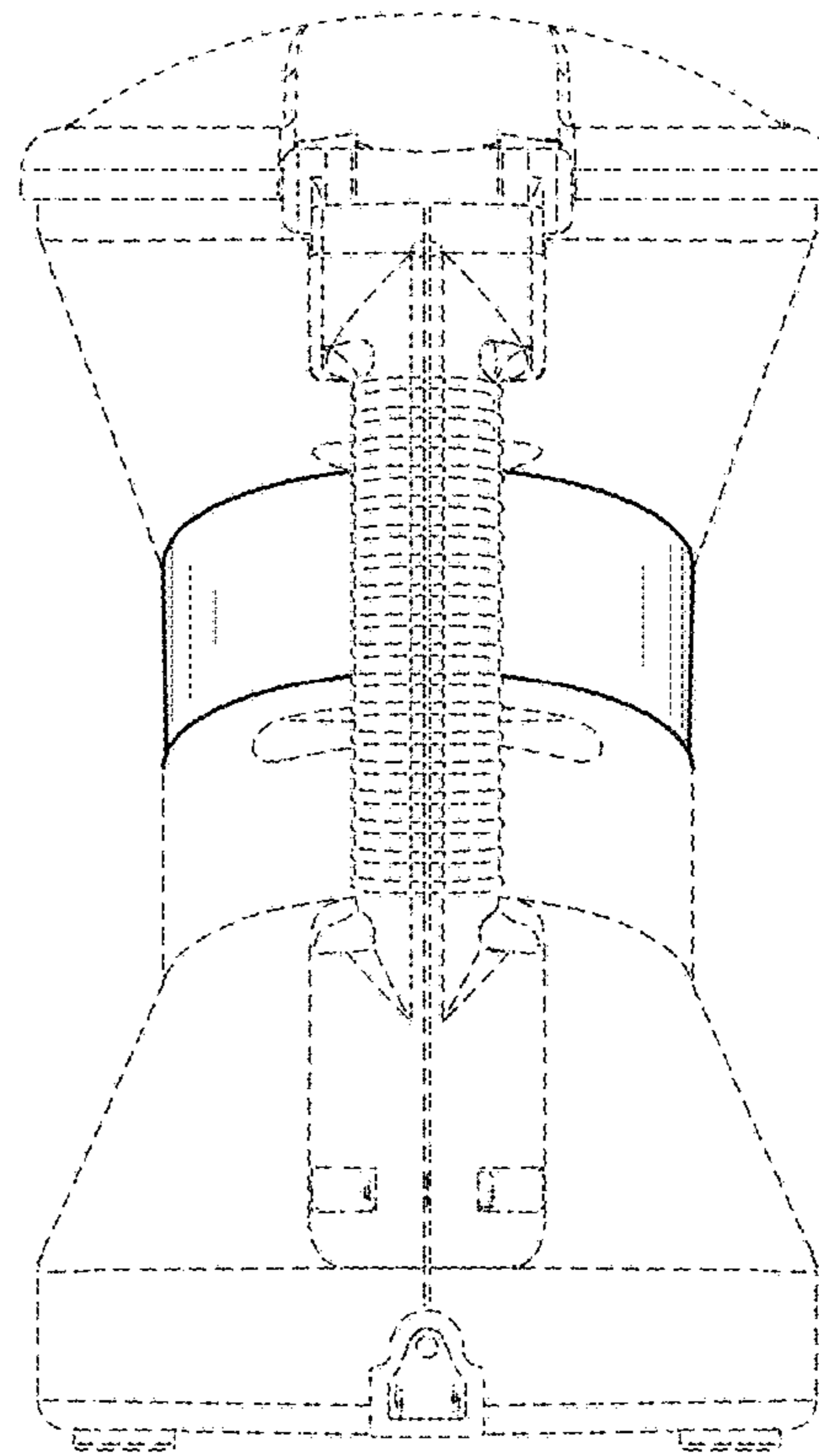


FIG. 5

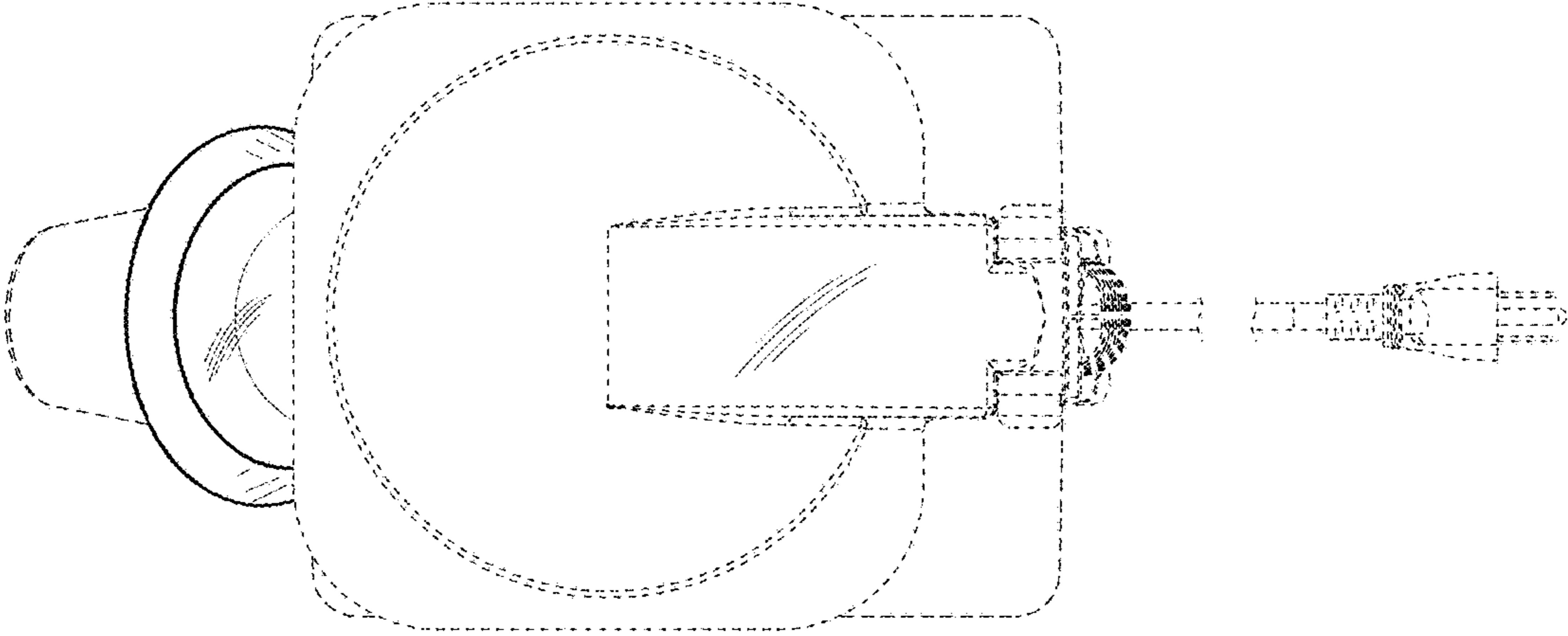


FIG. 6

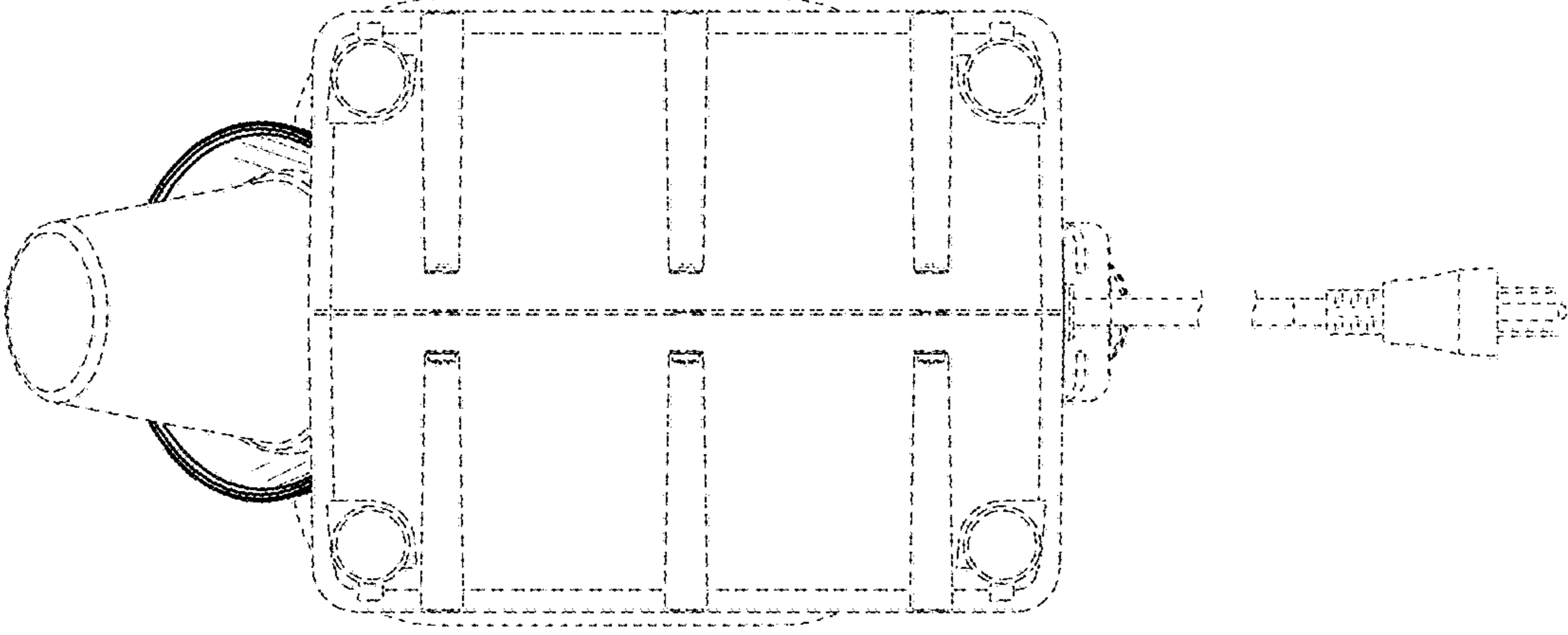


FIG. 7