



US00D866243S

(12) **United States Design Patent** (10) **Patent No.:** **US D866,243 S**
Cloutier (45) **Date of Patent:** **** Nov. 12, 2019**

(54) **ROASTING PAN** 573,045 A 12/1896 Snyder
D124,197 S 12/1940 Lynch
(71) Applicant: **Magellan Home-Goods, Ltd.**, Blaine, WA (US) D131,059 S 1/1942 Lynch
2,360,026 A * 10/1944 Wall A47J 37/0694
126/337 R
(72) Inventor: **Andre Dean Cloutier**, Blaine, WA (US) 2,520,389 A 8/1950 Ferris
3,084,617 A 4/1963 Jamentz
3,096,707 A 7/1963 Mills
3,972,318 A * 8/1976 Lenoir A47J 37/10
126/348
(73) Assignee: **Magellan Home-Goods, Ltd.**, Blaine, WA (US) D308,317 S * 6/1990 Koziol D7/409
D322,911 S 1/1992 Schmengler
5,106,642 A 4/1992 Ciofalo
D327,534 S 6/1992 Manville et al.
5,215,198 A 6/1993 Sutton
D341,523 S 11/1993 Tiemann
5,339,728 A * 8/1994 Marchwiak A47J 36/22
211/181.1
(**) Term: **15 Years**
(21) Appl. No.: **29/645,393**
(22) Filed: **Apr. 25, 2018**
(51) **LOC (12) Cl.** **07-02**
(52) **U.S. Cl.**
USPC **D7/360; D7/354; D7/409**
(58) **Field of Classification Search**
USPC D7/323, 332, 335-337, 354-355,
D7/359-364, 387-388, 402, 407-409
CPC A21B 2/00; A21B 3/00; A21B 3/13; A21B
3/15; A21B 5/00; A21B 5/02; A23N
12/06; A23N 12/08; A23N 12/10; A47J
27/002; A47J 27/04; A47J 36/22; A47J
37/00; A47J 37/04; A47J 37/041; A47J
37/042; A47J 37/06; A47J 37/0688; A47J
37/0694; A47J 37/07; A47J 37/0704;
A47J 37/10; A47J 47/20; A47J 2037/00;
A47J 2037/06; A47J 2037/0611; A47J
2037/07; A47J 2037/0786; A47J
2037/0795; F24C 15/10; F24C 15/12;
F24C 15/14; F24C 15/16; F24C 15/164;
F24C 15/18
See application file for complete search history.

Primary Examiner — Ricky Pham
(74) *Attorney, Agent, or Firm* — Schacht Law Office,
Inc.; Dwayne Rogge

(57) **CLAIM**

The ornamental design for a roasting pan, as shown and described.

DESCRIPTION

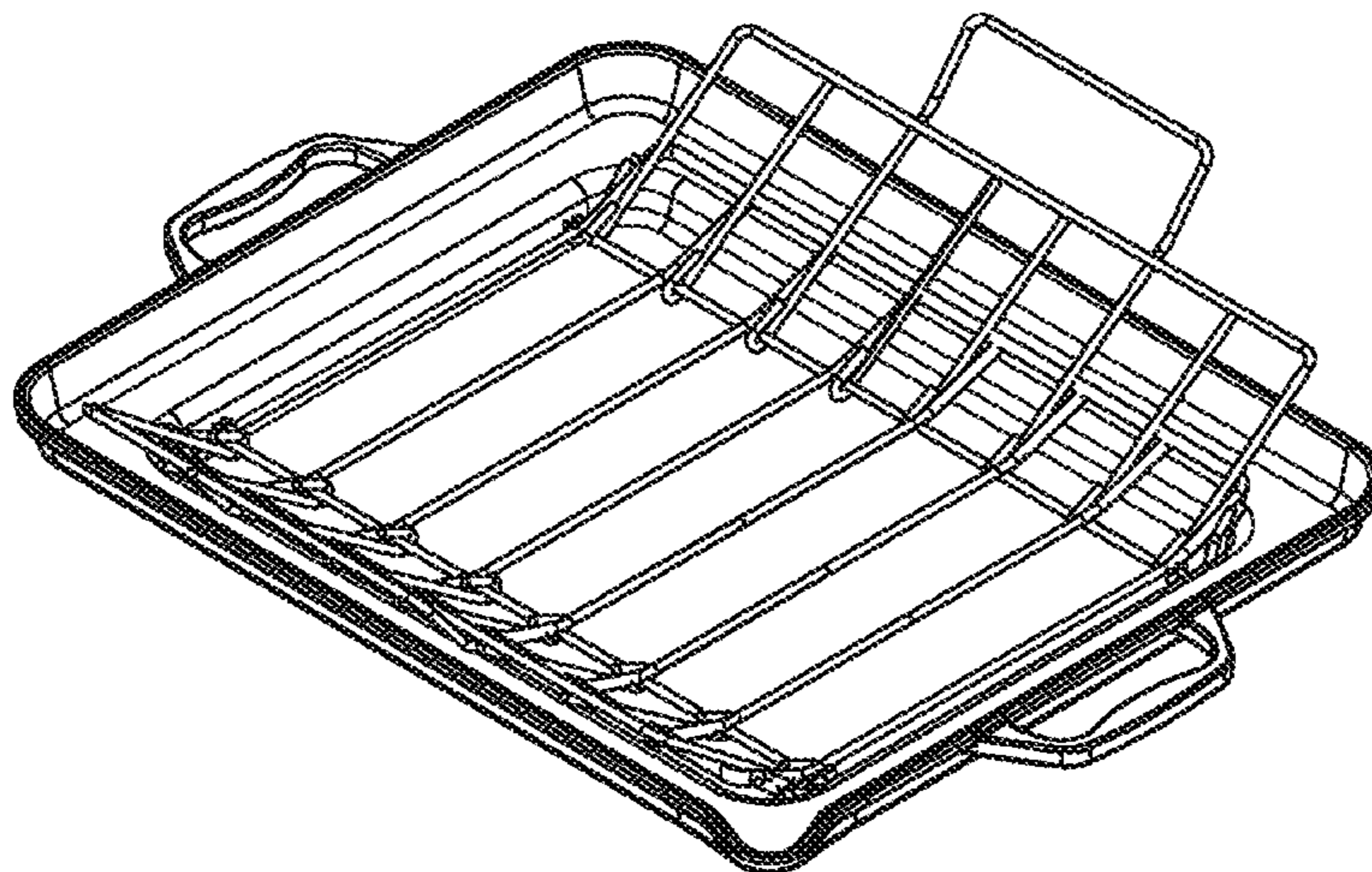
FIG. 1 is a top view of the roasting pan showing my new design.
FIG. 2 is a bottom view thereof.
FIG. 3 is a top perspective view thereof.
FIG. 4 is a front side view thereof.
FIG. 5 is a rear side view thereof.
FIG. 6 is a right side view thereof; and,
FIG. 7 is a left side view thereof.
Each view showing visually tangential edges.

1 Claim, 7 Drawing Sheets

(56) **References Cited**

U.S. PATENT DOCUMENTS

201,959 A 4/1878 Stockwell et al.
527,252 A * 10/1894 Stroud A47J 27/04
126/369



(56)

References Cited

U.S. PATENT DOCUMENTS

5,503,062	A *	4/1996	Buff, IV	A47J 36/22 211/181.1	D513,930	S	1/2006	Novi	
5,575,198	A	11/1996	Lowery			7,086,538	B2	8/2006	Stravitz	
D389,015	S	1/1998	Karroll			D534,395	S *	1/2007	Home D7/409
D395,548	S	6/1998	Morissette			D538,106	S	3/2007	Julian	
D408,599	S	4/1999	Vice et al.			D542,092	S	5/2007	Raichlen et al.	
D416,165	S	11/1999	Zemel			7,389,884	B2	6/2008	Stravitz	
D426,684	S	6/2000	Kenney			7,669,523	B1	3/2010	Zemel et al.	
6,116,153	A	9/2000	Burrows			D621,655	S	8/2010	Zemel	
6,125,739	A	10/2000	Jernigan			D624,787	S	10/2010	Adams et al.	
D437,522	S	2/2001	Measom			D629,251	S	12/2010	Tiemann	
6,213,005	B1 *	4/2001	Sherman	A47J 27/002 220/573.1	D635,825	S	4/2011	Borovicka et al.	
D453,488	S	2/2002	McCauley			D636,998	S	5/2011	Post et al.	
6,427,582	B1	8/2002	Measom			D639,601	S	6/2011	Borovicka et al.	
6,502,503	B1	1/2003	Bell et al.			D639,603	S	6/2011	Degnan	
D472,423	S *	4/2003	Swinford	D7/359	D640,501	S	6/2011	Zemel	
6,575,082	B1	6/2003	Liao			D653,497	S	2/2012	Cloutier et al.	
D479,435	S *	9/2003	Siegel	D7/409	D657,612	S	4/2012	Cloutier et al.	
6,668,708	B1 *	12/2003	Swinford	A47J 37/0694 99/426	D658,427	S	5/2012	Cloutier et al.	
6,823,773	B2	11/2004	Swinford et al.			D658,942	S	5/2012	Borovicka et al.	
D506,352	S	6/2005	Dow et al.			D668,103	S	10/2012	Cloutier et al.	
6,952,991	B2	10/2005	Siegel et al.			D679,130	S	4/2013	Cloutier	
						D694,580	S	12/2013	Cloutier et al.	
						8,627,764	B1	1/2014	Cloutier et al.	
						D699,073	S *	2/2014	Cheung D7/402
						2002/0195001	A1	12/2002	Hester	
						2009/0065452	A1	3/2009	Smith	

* cited by examiner

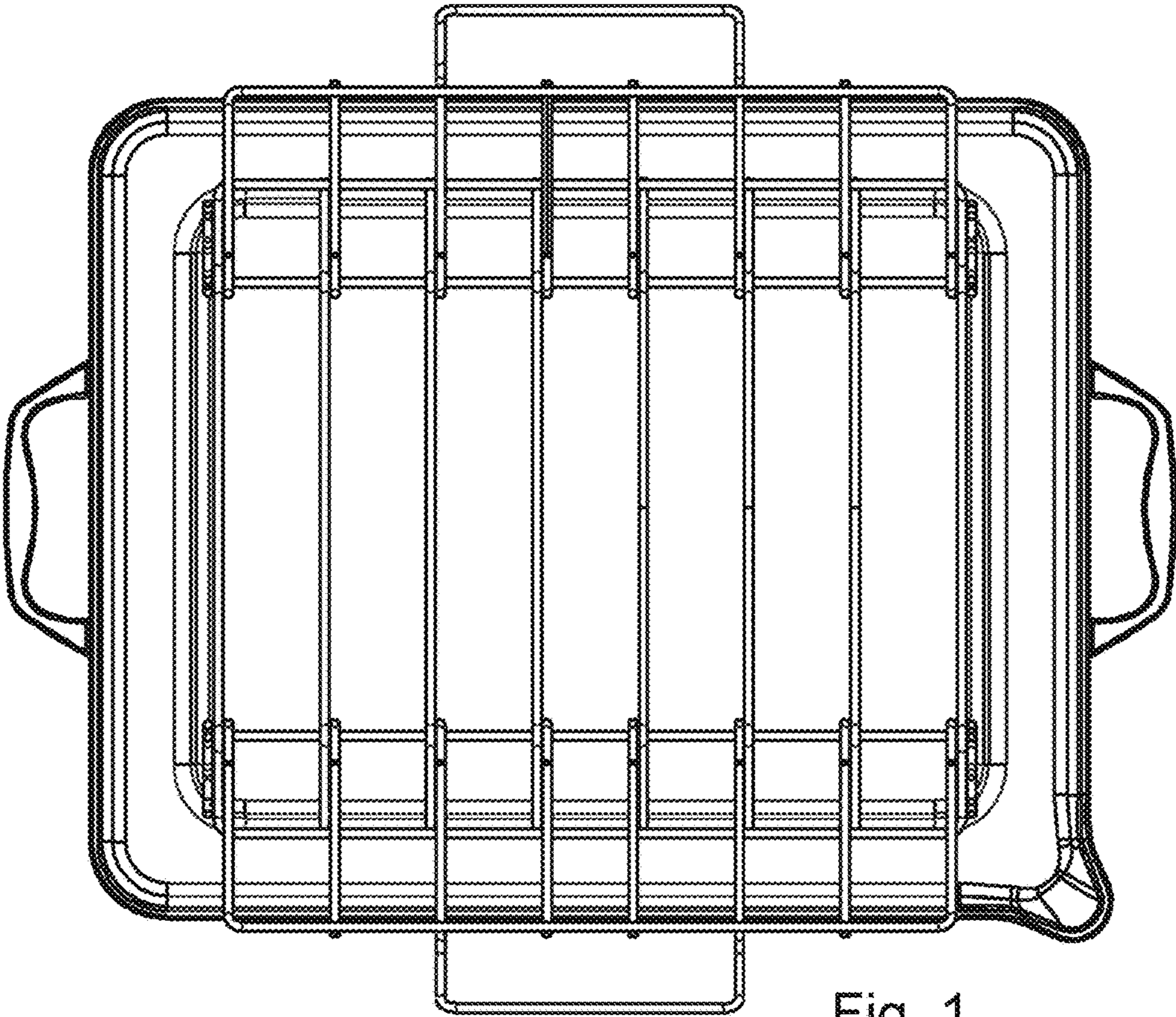


Fig. 1

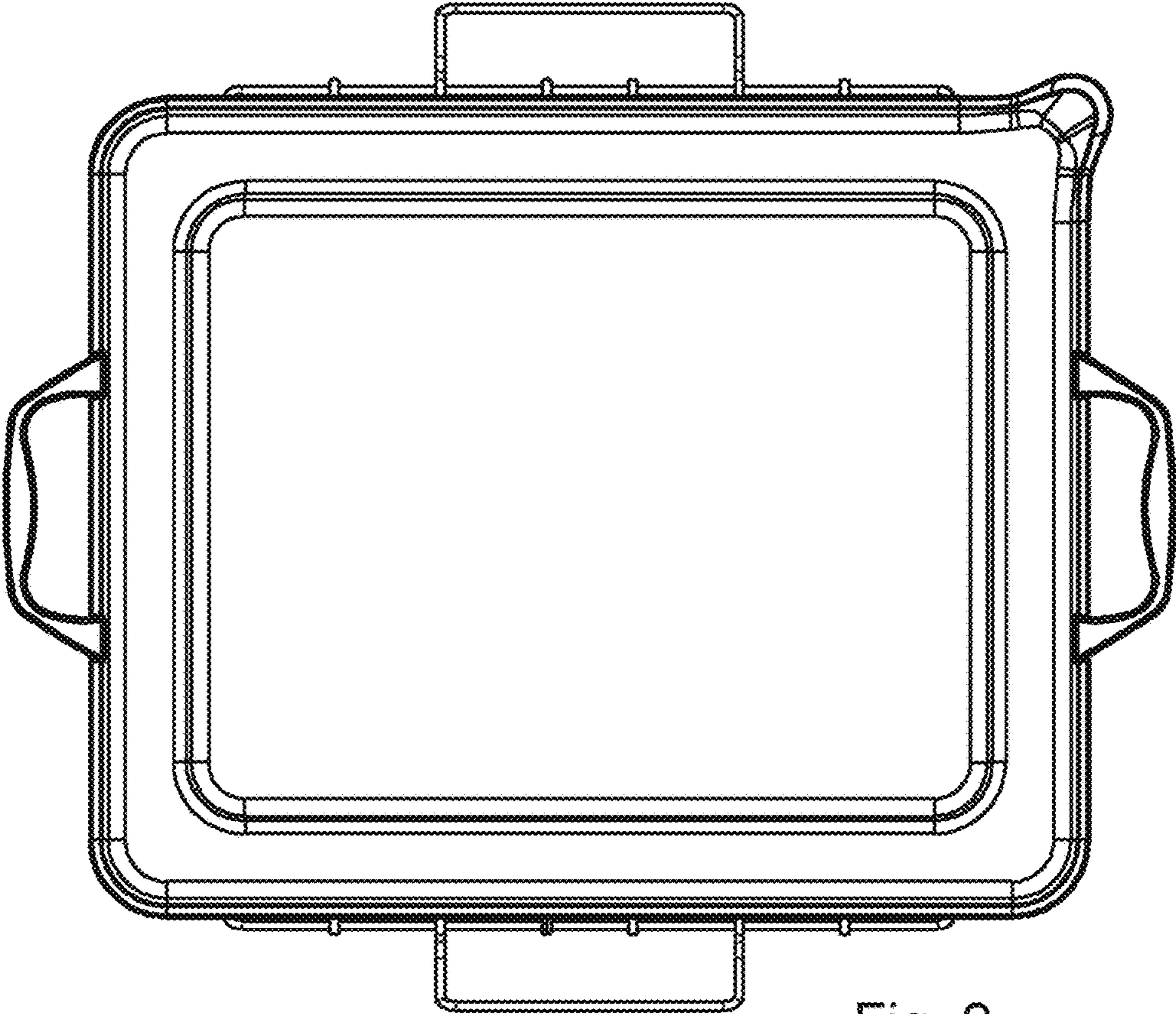


Fig. 2

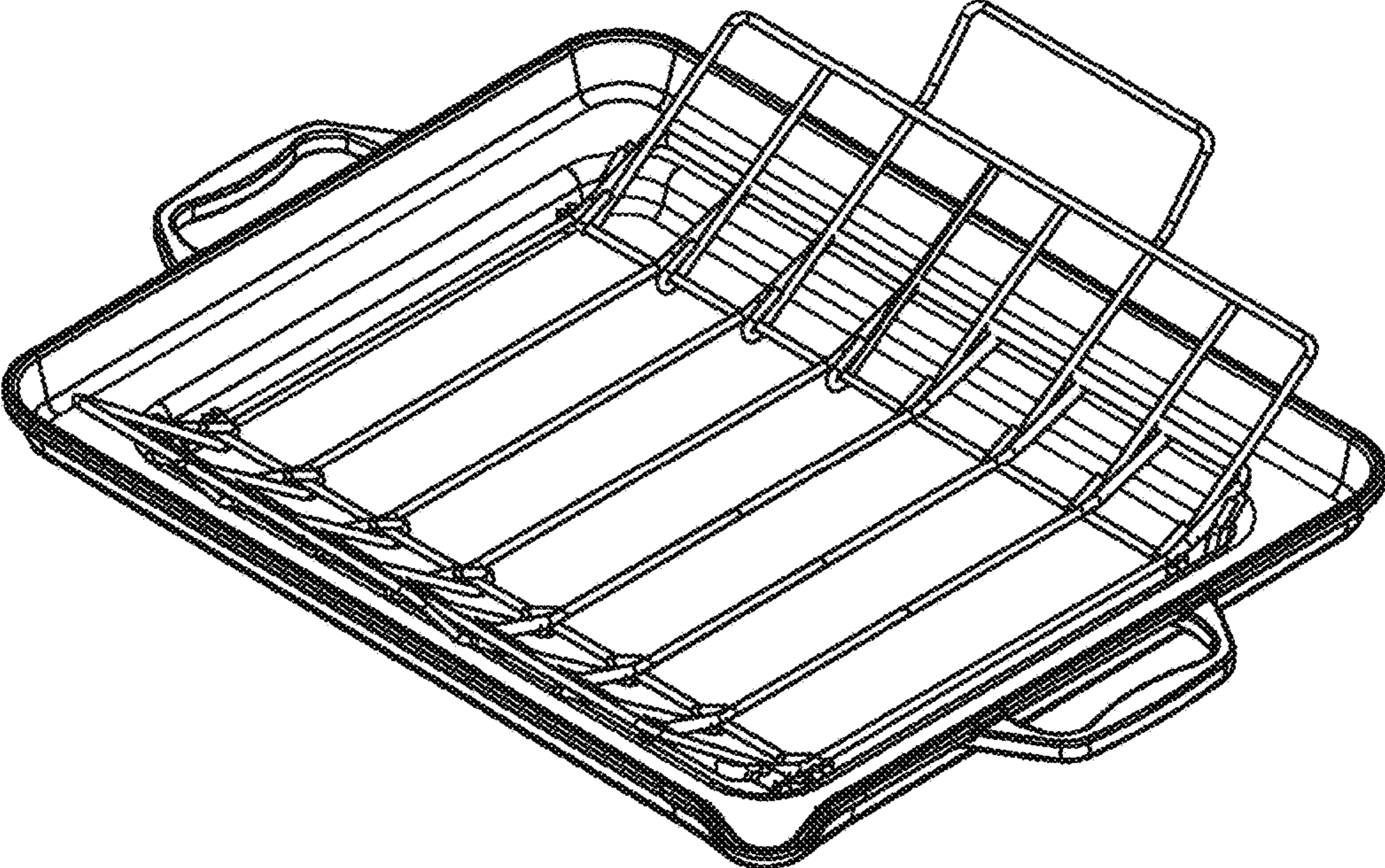


Fig. 3

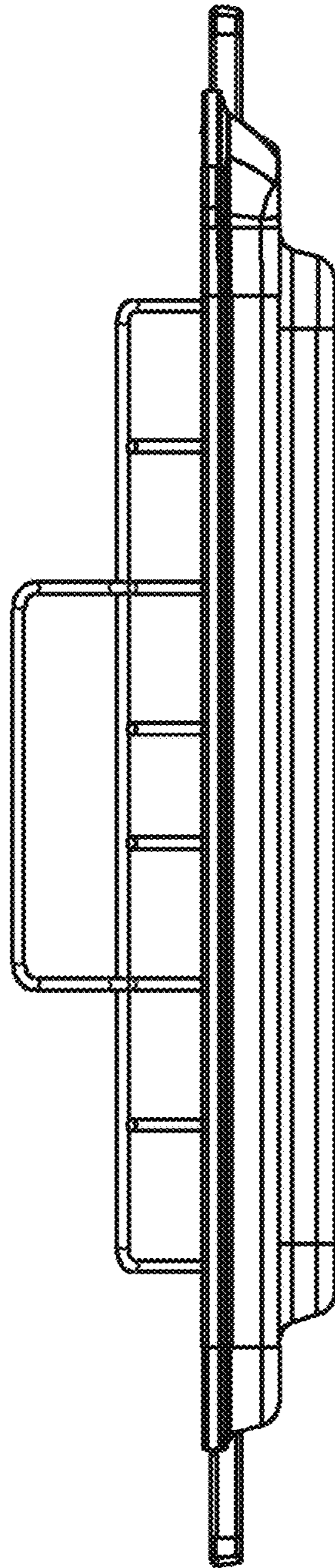


Fig. 4

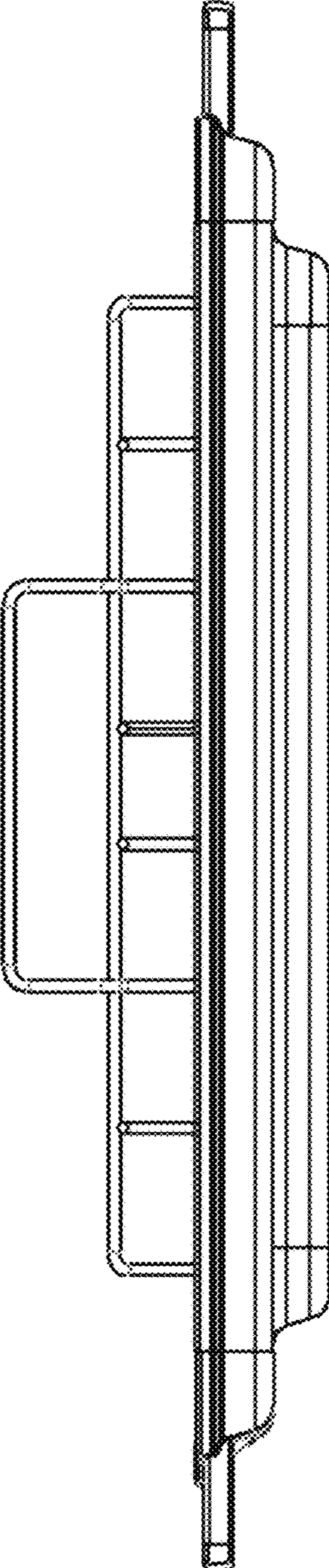


Fig. 5

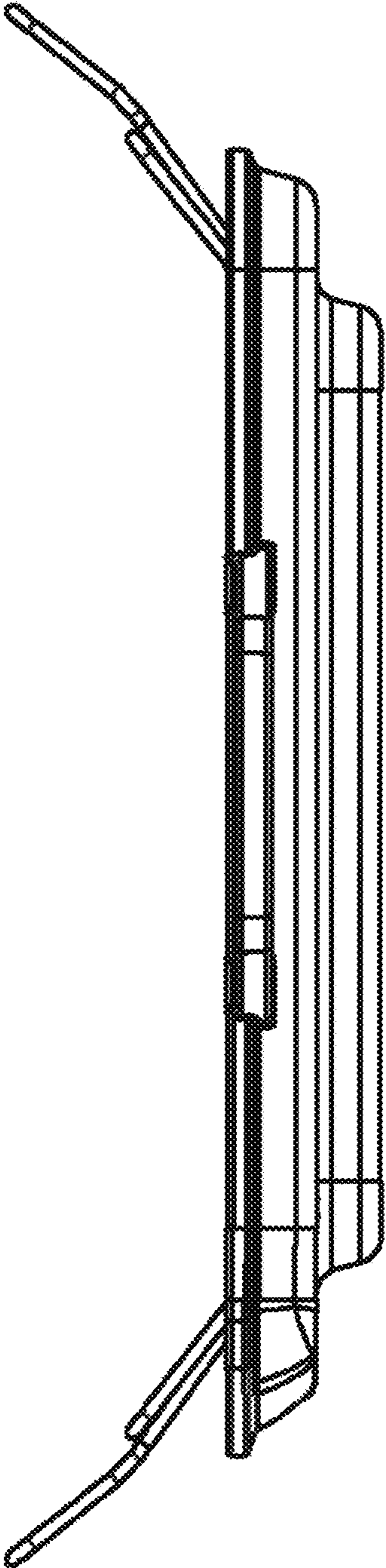


Fig. 6

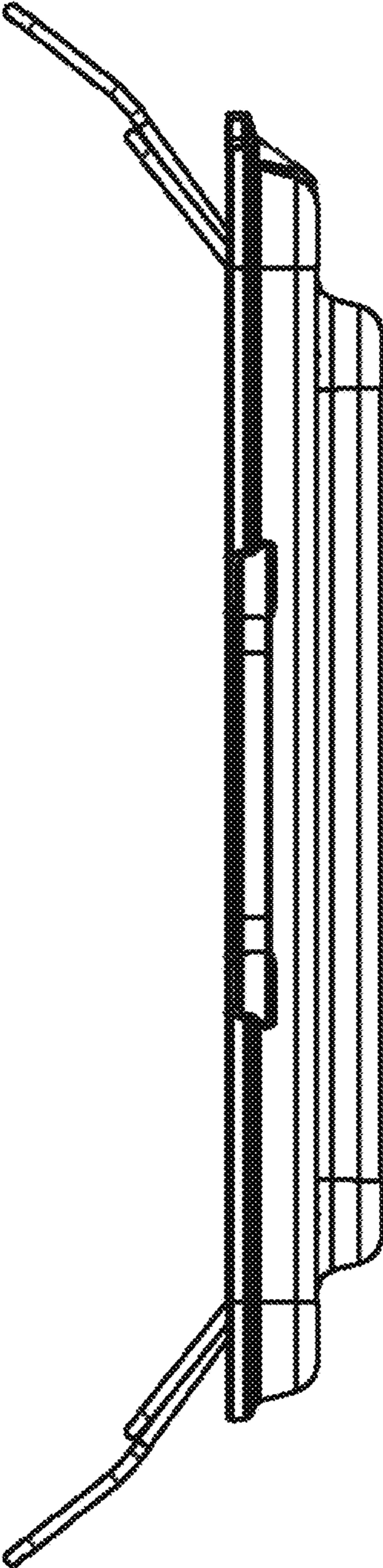


Fig. 7