



US00D866242S

(12) **United States Design Patent** (10) **Patent No.:** **US D866,242 S**
Vitagliano (45) **Date of Patent:** **** *Nov. 12, 2019**

(54) **GAUCHO GRILL WITH SHALLOW TRAY**

2501/24019; B65D 2501/24165; B65D 2501/24152; B65D 85/30; B65D 85/32; B65D 11/02; B65D 11/18; B65B 1/04; A23L 13/00; A23L 5/15; A47G 19/12; H05B 6/06; H05B

(71) Applicant: **Santiago Vitagliano**, Coral Gables, FL (US)

(72) Inventor: **Santiago Vitagliano**, Coral Gables, FL (US)

(Continued)

(*) Notice: This patent is subject to a terminal disclaimer.

(56) **References Cited**

U.S. PATENT DOCUMENTS

(**) Term: **15 Years**

D20,922 S * 7/1891 Coben D32/56
850,058 A * 4/1907 Ross A47J 37/10
211/34

(21) Appl. No.: **29/568,488**

(Continued)

(22) Filed: **Jun. 18, 2016**

OTHER PUBLICATIONS

(51) **LOC (12) Cl.** **07-02**

(52) **U.S. Cl.**
USPC **D7/359**

Anatomy of a Gaucho Grill: Site visited Dec. 24, 2017 [online]. Available from Internet URL: <https://www.gaucho-grills.com/anatomy-of-a-grill>.*

(Continued)

(58) **Field of Classification Search**

USPC D3/272, 273, 302, 304, 309, 310, 313, D3/315, 319, 901, 903, 904; D6/524, D6/532, 536, 672, 683, 691, 704; D7/300, 321, 323, 354, 359, 360, 361, D7/392.1, 396.1, 396.2, 396.4, 409, 412, D7/417, 500, 505, 509-511, 513, 533, D7/538-545, 546, 549, 550.1, 552.1, D7/552.2, 553.1, 553.2, 553.4, 553.5, D7/553.6, 553.7, 554.1, 555, 558, 566, D7/568, 584, 586, 600.1, 601, 602, 605, D7/607, 608, 609, 610, 614, 615, 629, D7/698, 703, 900; D9/414, 430-434, D9/455, 456, 499; D19/1, 27, 78, 102, D19/103, 106, 107; D21/502, 524, 525, D21/532, 832; D24/127, 128, 216, 224, D24/227, 228, 229, 230; D28/61, 73, 76; D32/55, 58

Primary Examiner — Jennifer Rivard
Assistant Examiner — Catherine S Posthauer

CPC A47J 43/00; A47J 37/0704; A47J 37/00; A47J 37/10; A47J 37/101; A47J 37/103; A47J 37/1204; A47J 37/0694; A47J 27/00; A47J 27/002; A47J 27/004; A47J 27/08; A47J 27/21; A47J 27/58; A47J 29/00; A47J 29/02; A47J 29/04; A47J 29/06; A47J 36/025; B65D 1/243; B65D

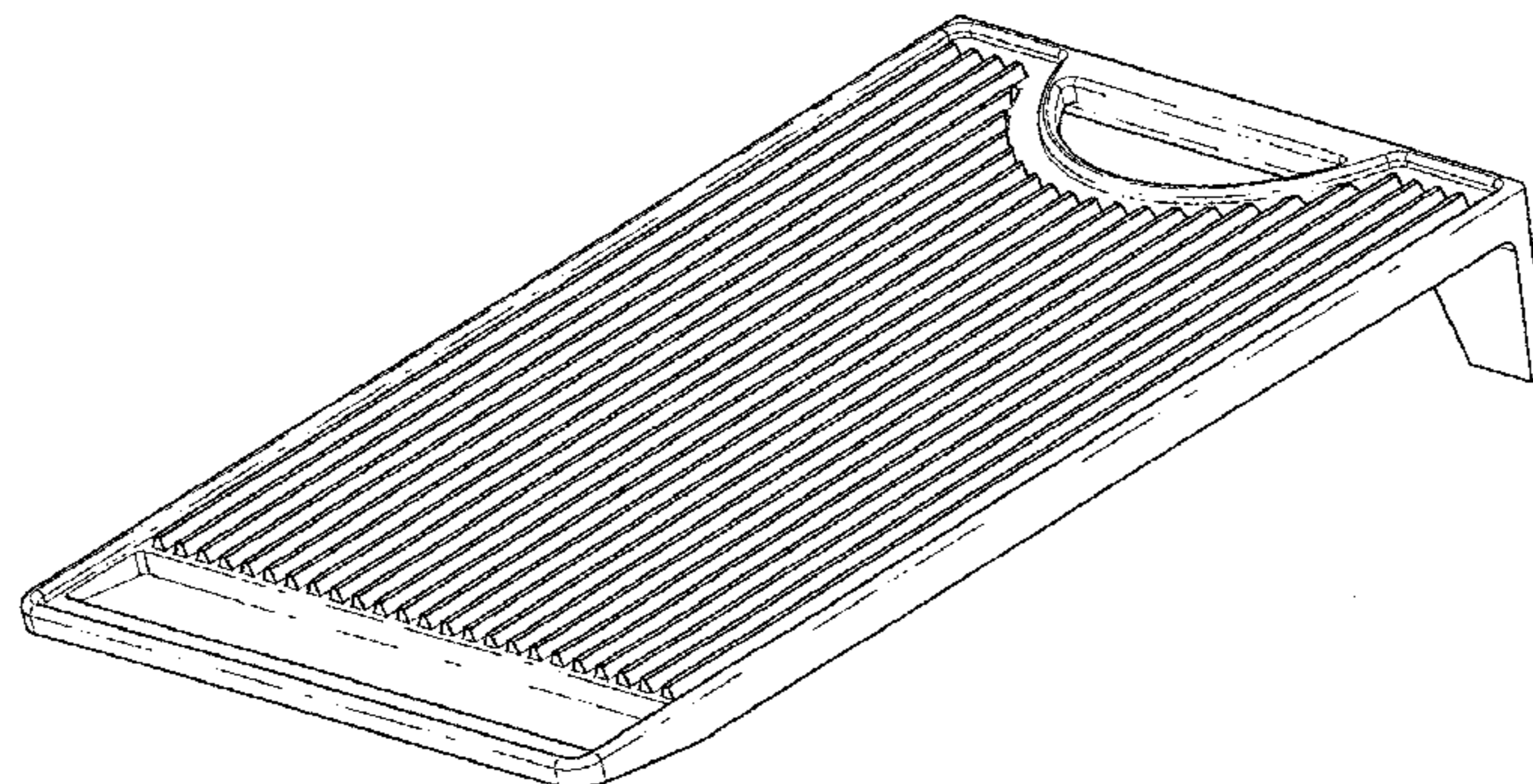
(57) **CLAIM**

The ornamental design for a gaucho grill with shallow tray, as shown and described.

DESCRIPTION

FIG. 1 is a front perspective view of a gaucho grill with shallow tray, showing my new design; FIG. 2 is a top plan view thereof; FIG. 3 is left side elevation view thereof; FIG. 4 is a front elevation view thereof; FIG. 5 is a back elevation view thereof; and, FIG. 6 is bottom plan view thereof.

(Continued)



The evenly broken lines are shown for the purpose of illustrating parts of the article that form no part of the claim. The dot-dash lines represent the boundaries of the claim and form no part thereof.

1 Claim, 4 Drawing Sheets

(58) **Field of Classification Search**

CPC 6/12; A23B 5/00; A23B 5/005; A23B 5/0052; F26B 25/18; A47B 73/00; A01K 41/02; A01K 41/026; A01K 41/04
See application file for complete search history.

(56) **References Cited**

U.S. PATENT DOCUMENTS

1,169,168 A * 1/1916 Lane et al. A47J 37/0704
126/339
1,349,458 A * 8/1920 Johnson F26B 25/18
108/52.1
1,367,443 A * 2/1921 Wann F26B 25/18
34/238
D158,838 S * 6/1950 Caldwell, Jr. D6/583
D191,082 S * 8/1961 Tigner 211/181.1
3,191,592 A * 6/1965 Lorbacher A47J 37/0704
126/25 A
3,427,955 A * 2/1969 Menzin A47J 36/022
99/425
3,666,481 A * 5/1972 Albright A47J 37/00
426/523
3,842,726 A 10/1974 Fautz
D240,390 S * 7/1976 Smith D7/698
4,909,137 A 3/1990 Brugnoli
4,930,491 A * 6/1990 Purello A47J 37/067
126/25 R
5,009,151 A 4/1991 Hungerford
D317,849 S * 7/1991 Adams D7/553.3
5,044,266 A 9/1991 Geogaris
D363,410 S * 10/1995 Hazen D7/359
5,878,657 A * 3/1999 Gschwind A47J 37/067
99/400
5,884,554 A * 3/1999 Sprick A47J 37/041
126/25 A
6,520,174 B1 2/2003 Scigliuolo
D498,387 S * 11/2004 Hojnoski D7/402
D503,066 S * 3/2005 Militi D7/359

7,301,127 B1 11/2007 Derridinger, Jr.
D600,070 S * 9/2009 Kellermann D7/409
8,109,263 B2 2/2012 Pliml
D655,804 S * 3/2012 Platt D23/365
8,222,575 B2 7/2012 Lin
D678,010 S * 3/2013 Sudmalis D7/698
D689,350 S * 9/2013 Sudmalis D7/698
8,584,580 B2 11/2013 Barrett
8,602,018 B2 12/2013 Johnston
9,097,430 B2 * 8/2015 Stanger F24C 15/16
D806,471 S * 1/2018 Fullmer D7/409
D812,425 S * 3/2018 Reischmann D7/409
D817,710 S * 5/2018 Kim D7/409
D817,711 S * 5/2018 Kim D7/409
D820,042 S * 6/2018 Hollinger D7/409
2003/0041744 A1 3/2003 Stephen et al.
2005/0061161 A1 * 3/2005 Hunot A47J 36/06
99/441
2005/0233036 A1 * 10/2005 Feldmeier B65D 43/021
426/121
2006/0266726 A1 * 11/2006 Swanson A47B 47/021
211/186
2009/0308374 A1 12/2009 Ahmed
2010/0199967 A1 * 8/2010 Wiczorek A47J 37/0704
126/25 R
2011/0206818 A1 * 8/2011 Walters A47J 37/00
426/523
2012/0074825 A1 * 3/2012 Armstrong A47B 88/407
312/334.23
2012/0266856 A1 10/2012 Zelek et al.
2013/0108750 A1 5/2013 Vitagliano
2016/0166107 A1 * 6/2016 Larson A47J 37/0763
126/9 B
2016/0302617 A1 * 10/2016 Rogge A47B 31/02
2017/0105576 A1 * 4/2017 Vitagliano A47J 37/0694

OTHER PUBLICATIONS

Gaicho Basico: Site Visited Dec. 26, 2017 [online]. Available from Internet URL: <https://www.gaucho-grills.com/stand-alone-products/basico>.
Grillworks Grill Surface: Announced Sep. 26, 2016 [online], site visited [Dec. 26, 2017]. Available from Internet URL: <http://www.grillworksusa.com/products/4fu6awtew262b63v1xa9v3017c7g9u>.
El Caicho Grill Insert: Announced Sep. 1, 2017 [online]. Site visited [Jun. 20, 2019]. Available from Internet URL: <https://www.amazon.com/ARGENTINEAN-GRILL-ARGEN-22-5-Gaicho-Insert/dp/B074BL7Q3P#customerReviews>.

* cited by examiner

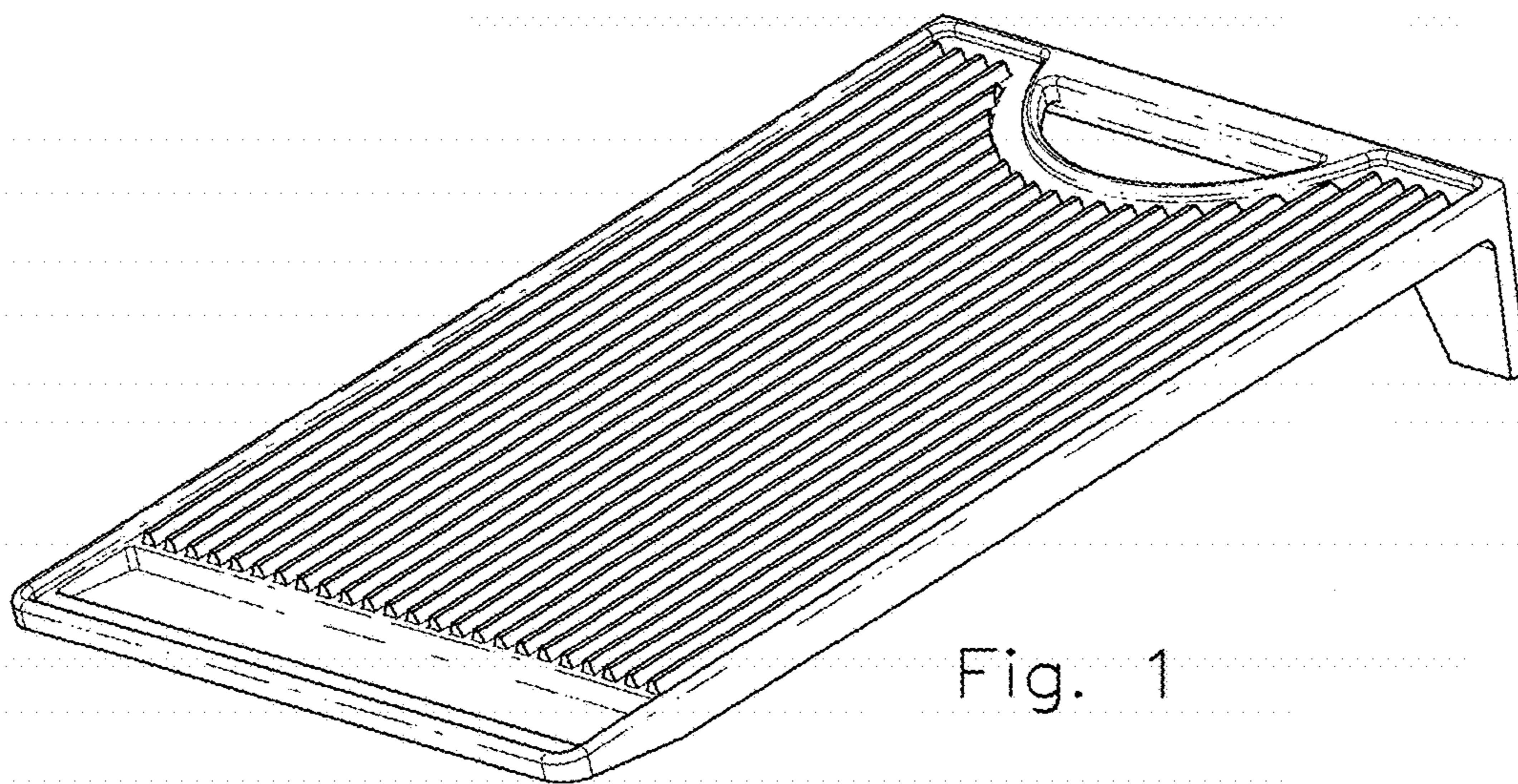


Fig. 1

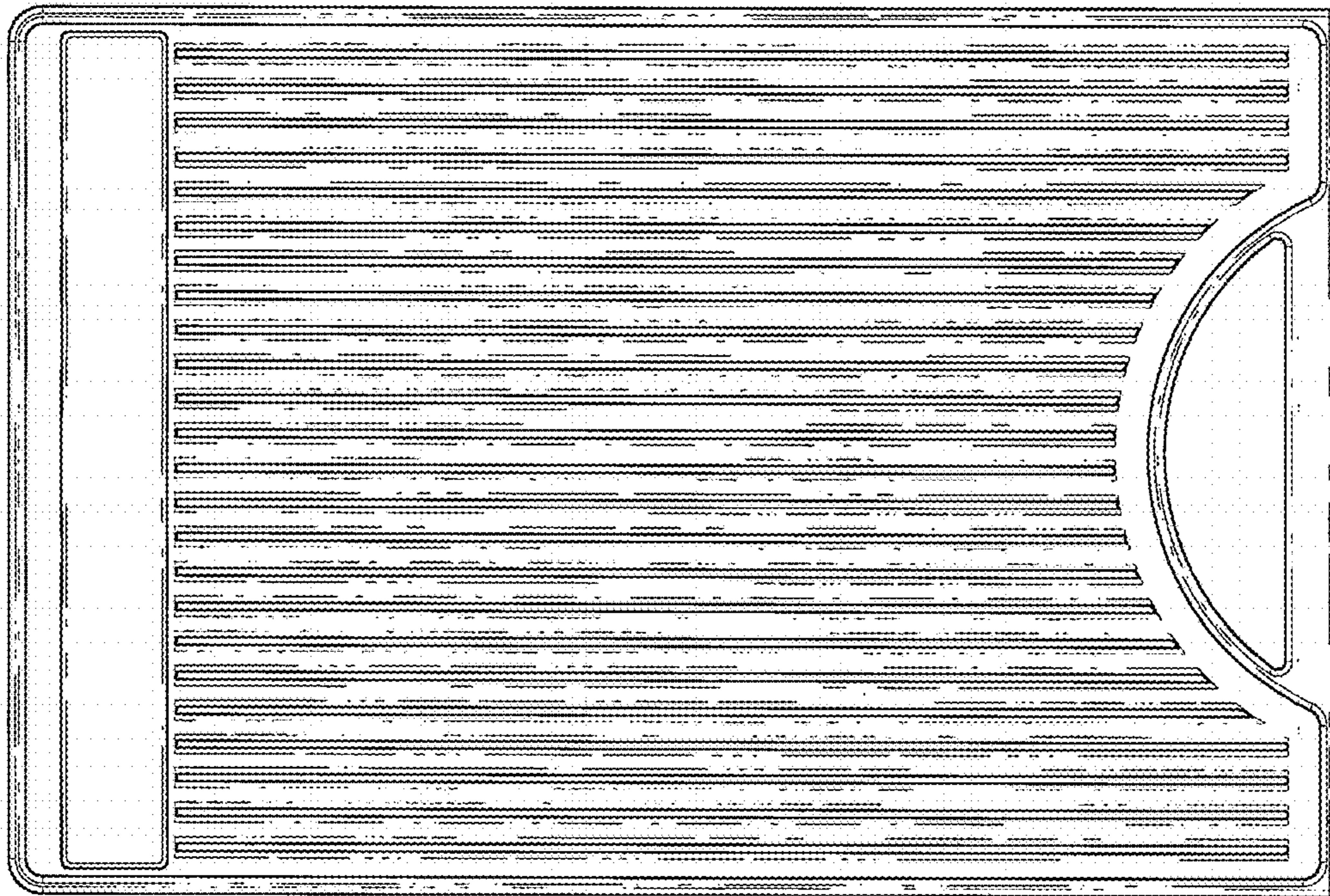


Fig. 2

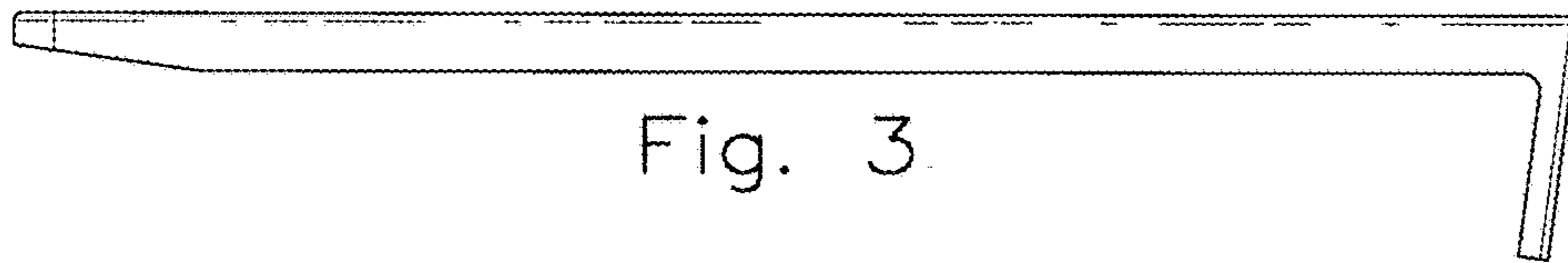


Fig. 3.

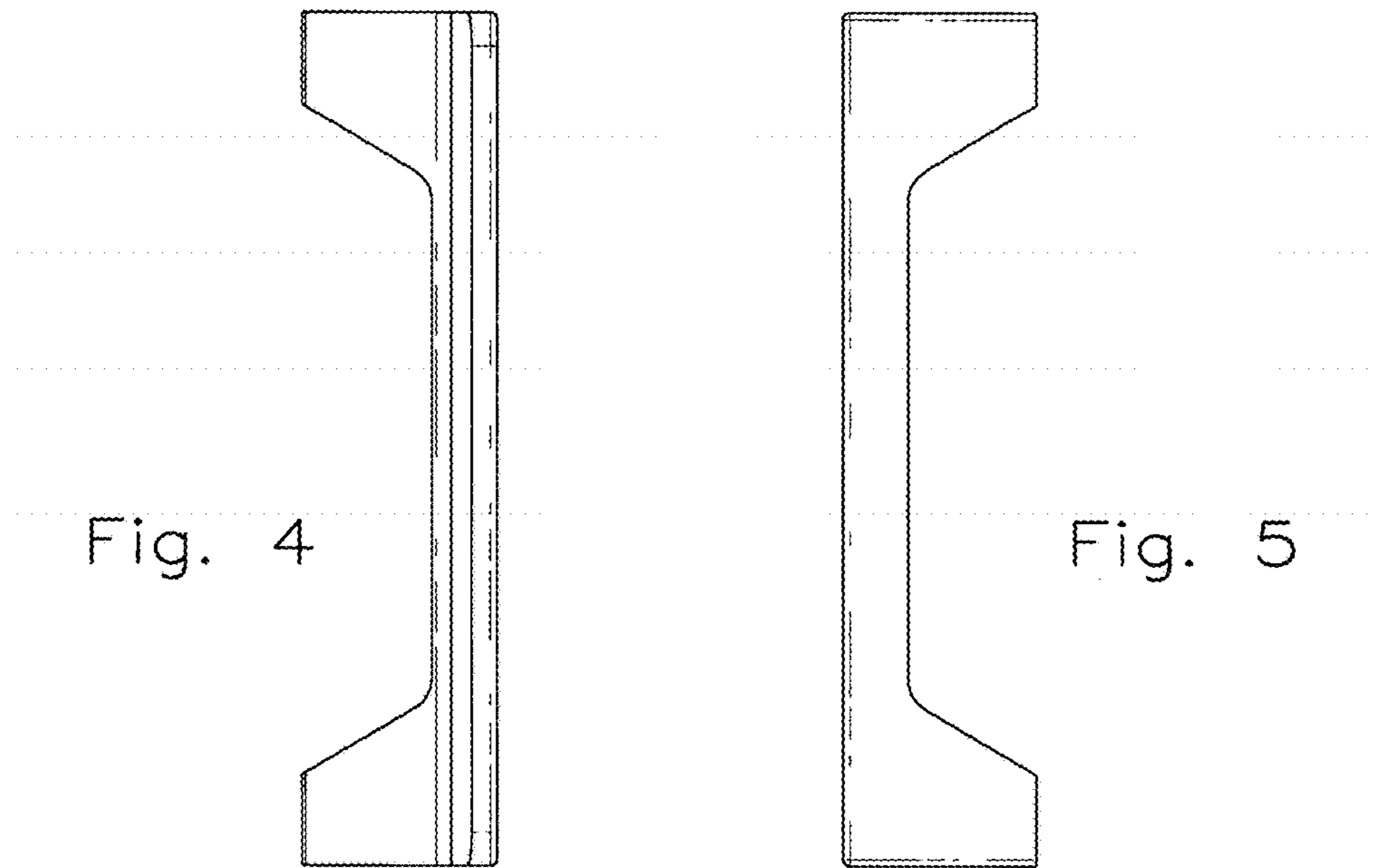


Fig. 4

Fig. 5

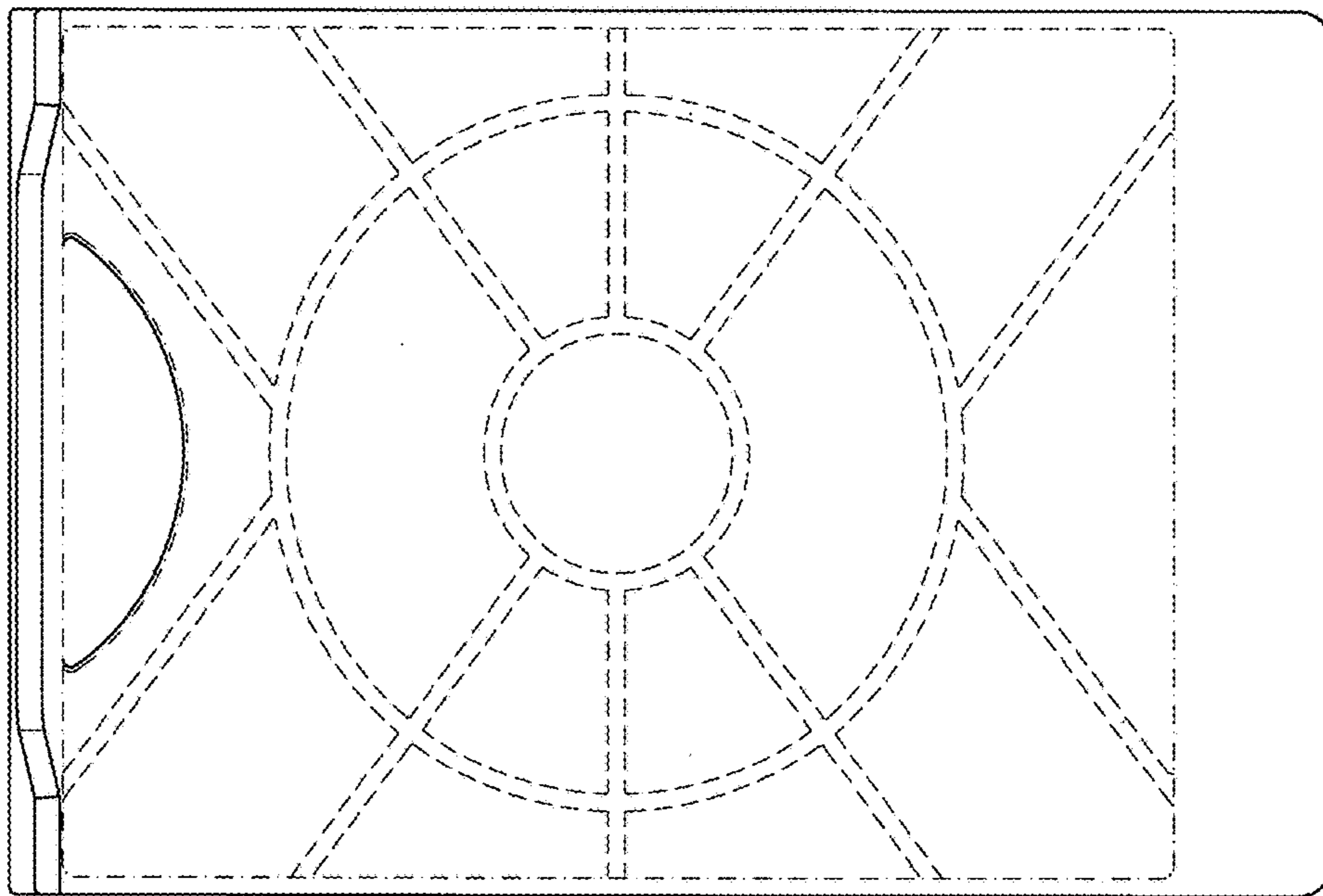


Fig. 6