



US00D866241S

(12) **United States Design Patent**
Amirault et al.

(10) **Patent No.:** **US D866,241 S**
(45) **Date of Patent:** **** Nov. 12, 2019**

- (54) **TRAY FOR A CHAFING PAN**
- (71) Applicant: **STERNO PRODUCTS, LLC.**, Corona, CA (US)
- (72) Inventors: **David Amirault**, Corona, CA (US); **Andrew B. Mendenhall**, Corona, CA (US); **Dennis M. Turner**, Corona, CA (US); **Steven L. Cox**, Corona, CA (US)
- (73) Assignee: **Sterno Products, LLC.**, Corona, CA (US)
- (**) Term: **15 Years**
- (21) Appl. No.: **29/664,631**
- (22) Filed: **Sep. 26, 2018**
- (51) **LOC (12) Cl.** **07-02**
- (52) **U.S. Cl.**
USPC **D7/355**; D7/354; D7/409
- (58) **Field of Classification Search**
USPC D7/323, 332, 335-337, 354-355, D7/359-364, 387-388, 402, 407-409; D9/432; D34/3
CPC A21B 2/00; A21B 3/00; A21B 3/13; A21B 3/15; A21B 3/155; A21B 5/00; A21B 5/02; A23N 12/06; A23N 12/08; A23N 12/10; A47F 7/03; A47G 19/027; A47J 36/24; A47J 37/00; A47J 37/04; A47J 37/041; A47J 37/042; A47J 37/06; A47J 37/0688; A47J 37/0694; A47J 37/07; A47J 37/0704; A47J 37/10; A47J 47/20; A47J 2037/00; A47J 2037/06; A47J 2037/0611; A47J 2037/07; A47J 2037/0786; A47J 2037/0795; F24C 15/10; F24C 15/12; F24C 15/14; F24C 15/16; F24C 15/164; F24C 15/18
See application file for complete search history.

- (56) **References Cited**
U.S. PATENT DOCUMENTS
1,756,558 A * 4/1930 Katzinger A21B 3/155 99/450
2,006,827 A * 7/1935 Feiler A47F 7/03 220/810

3,378,333 A 4/1968 Brite
3,871,357 A 3/1975 Grosso et al.
(Continued)

FOREIGN PATENT DOCUMENTS

FR 2659940 A1 9/1991
WO 2007098031 A2 8/2007
WO 2013069832 A1 5/2013

Primary Examiner — Ricky Pham

(74) *Attorney, Agent, or Firm* — Stetina Brunda Garred & Brucker; Lowell Anderson

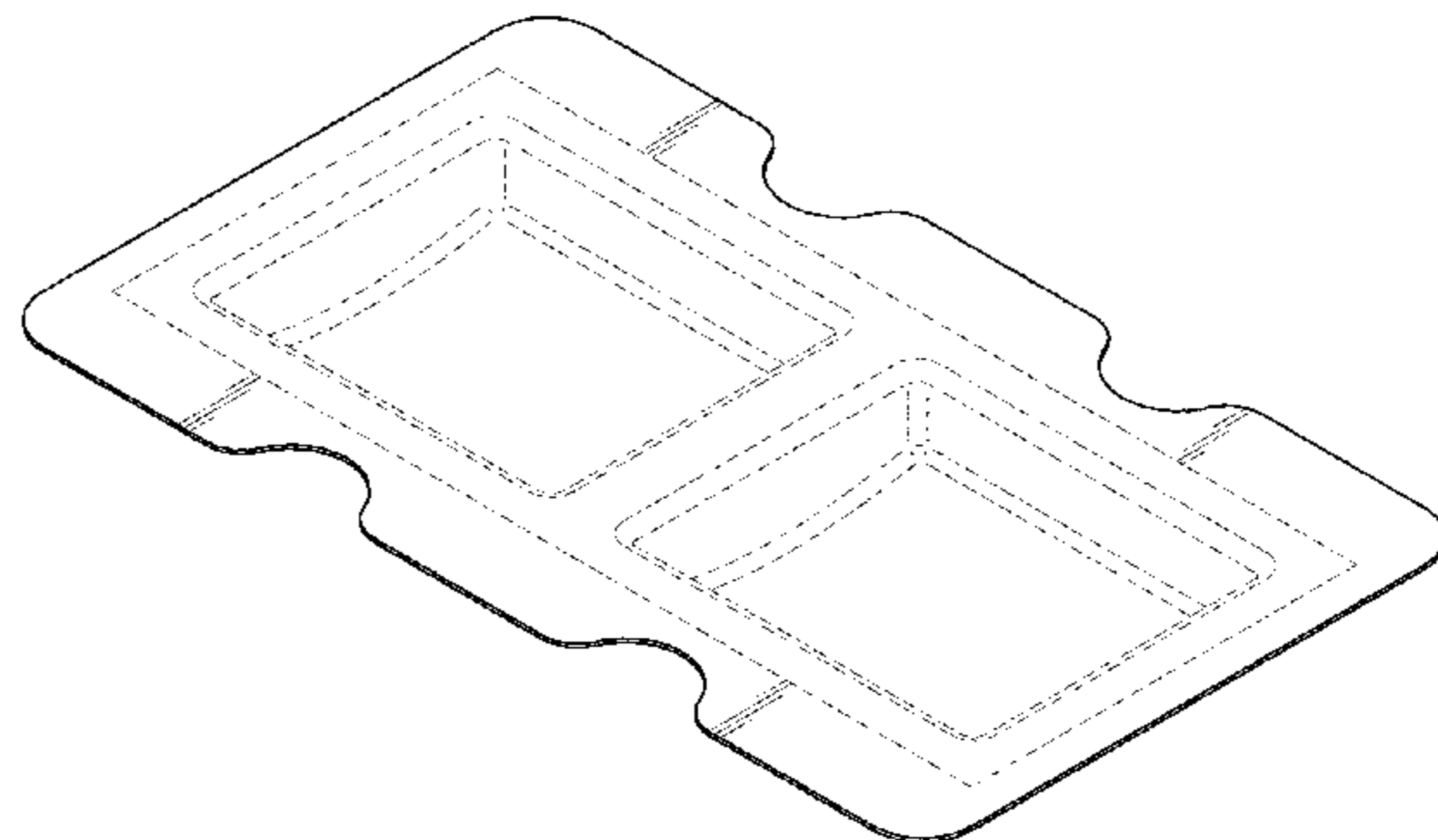
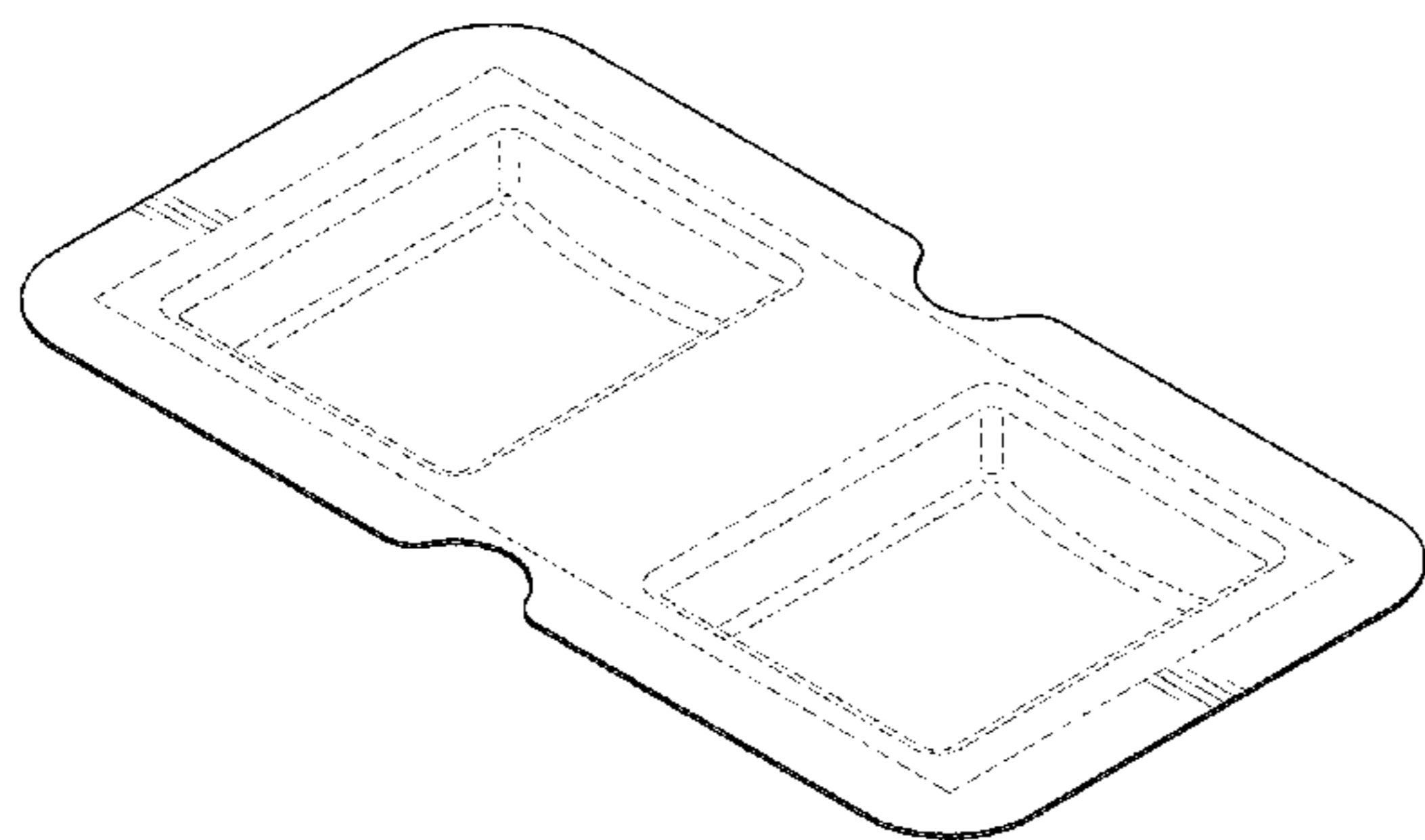
(57) **CLAIM**

The ornamental design for a tray for a chafing pan, as shown and described.

DESCRIPTION

FIG. 1 is a top perspective view of a first embodiment of the tray of this invention;
FIG. 2 is a front view of the tray of FIG. 1, with the back view being a mirror image thereof;
FIG. 3 is a right-side view of the tray of FIG. 1, with the left-side view being a mirror image thereof;
FIG. 4 is a top view of the tray of FIG. 1;
FIG. 5 is a bottom view of the tray of FIG. 1;
FIG. 6 is a top perspective view of a second embodiment of the tray of this invention;
FIG. 7 is a front view of the tray of FIG. 6, with the back view being a mirror image thereof;
FIG. 8 is a right-side view of the tray of FIG. 6, with the left-side view being a mirror image thereof;
FIG. 9 is a top view of the tray of FIG. 6; and,
FIG. 10 is a bottom view of the tray of FIG. 6.
The broken lines show environmental structure that forms no part of the claimed design.

1 Claim, 6 Drawing Sheets



(56)

References Cited

U.S. PATENT DOCUMENTS

5,117,809	A	6/1992	Scaringe et al.	
5,542,418	A	8/1996	James	
D377,451	S *	1/1997	Gumowitz	D7/354
D427,009	S *	6/2000	Iyengar	D7/354
6,289,889	B1	9/2001	Bell et al.	
6,440,509	B1	8/2002	Littlejohn et al.	
D468,580	S *	1/2003	Ruiseco	A21B 3/15 D7/355
6,530,935	B2	3/2003	Wensel et al.	
7,025,055	B2	4/2006	Scudder et al.	
D548,001	S *	8/2007	Gross	A21B 3/155 D7/355
D564,827	S *	3/2008	Ha	D7/354
7,392,907	B2	7/2008	Herbert et al.	
9,016,511	B2	4/2015	Widitora et al.	
9,435,567	B2	9/2016	Ra	
9,731,879	B2	8/2017	Sheldon et al.	
9,851,125	B2	12/2017	Arnold	
D822,931	S *	7/2018	Fisher	D34/3
D849,479	S *	5/2019	Sloyer	D7/407
D850,843	S *	6/2019	Lee	A47F 7/03 D7/362
2005/0076795	A1 *	4/2005	Riddle	A47J 36/24 99/483
2012/0217253	A1 *	8/2012	Plott	A47G 19/027 220/574
2015/0017287	A1	1/2015	Sevim	
2015/0136633	A1	5/2015	Sarnoff et al.	
2015/0296806	A1 *	10/2015	Stecher	A21B 3/15 220/641
2017/0326618	A1	11/2017	Sarnoff et al.	
2018/0092493	A1	4/2018	Hale et al.	

* cited by examiner

FIG. 1

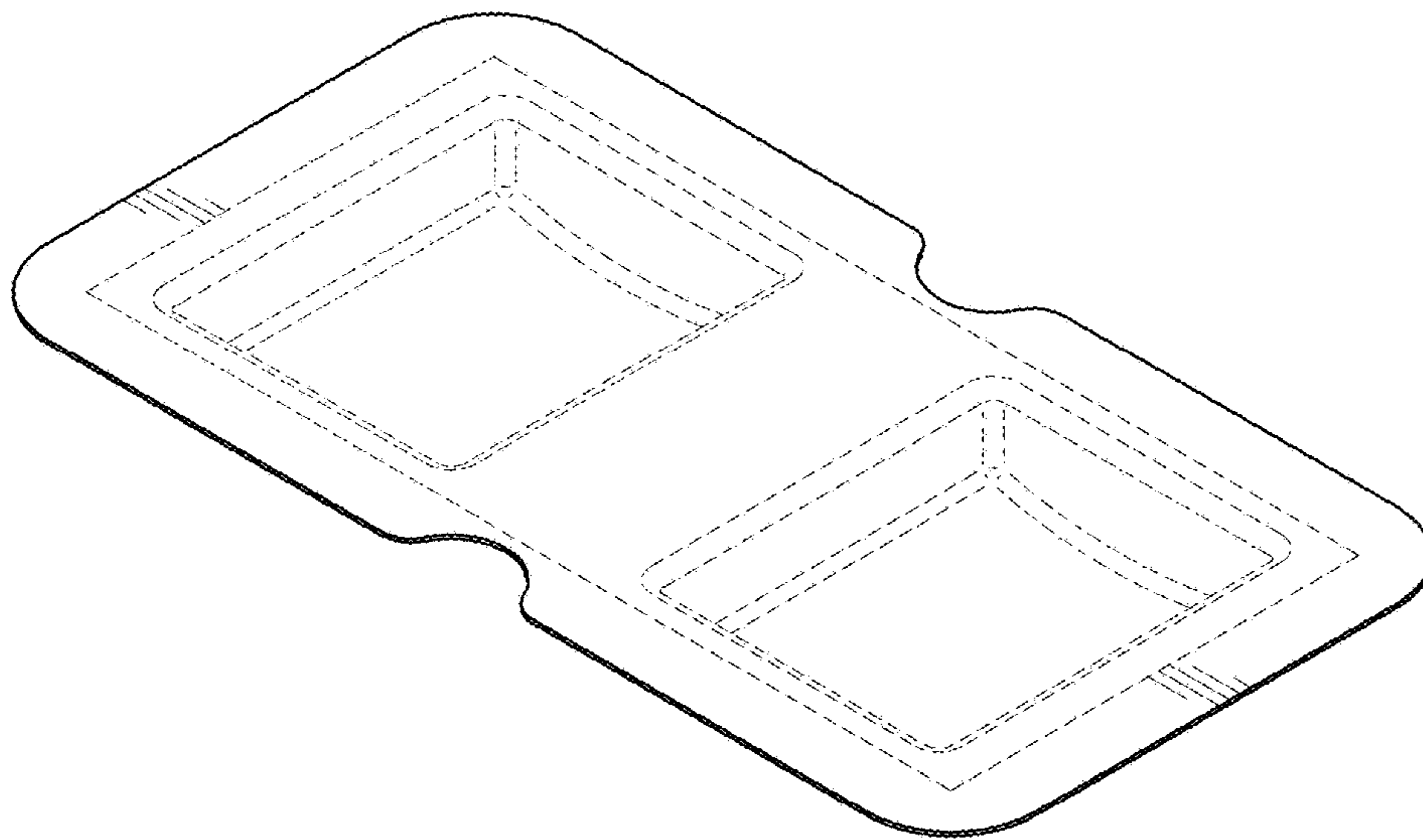


FIG. 2



FIG. 3

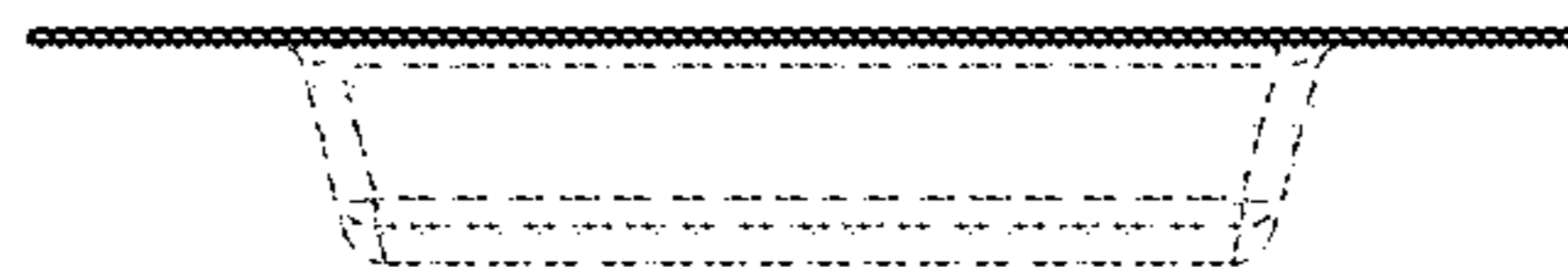


FIG. 4

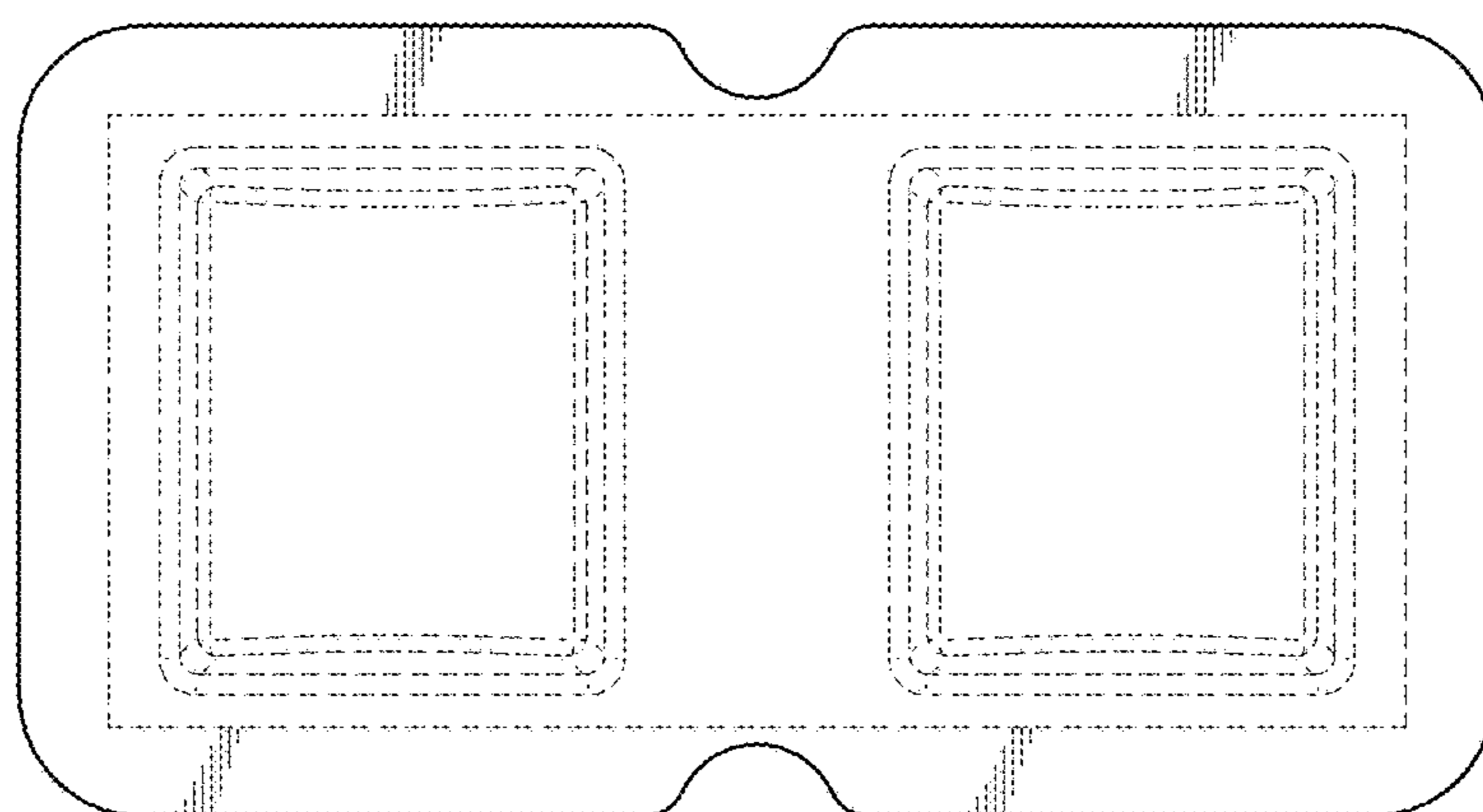


FIG. 5

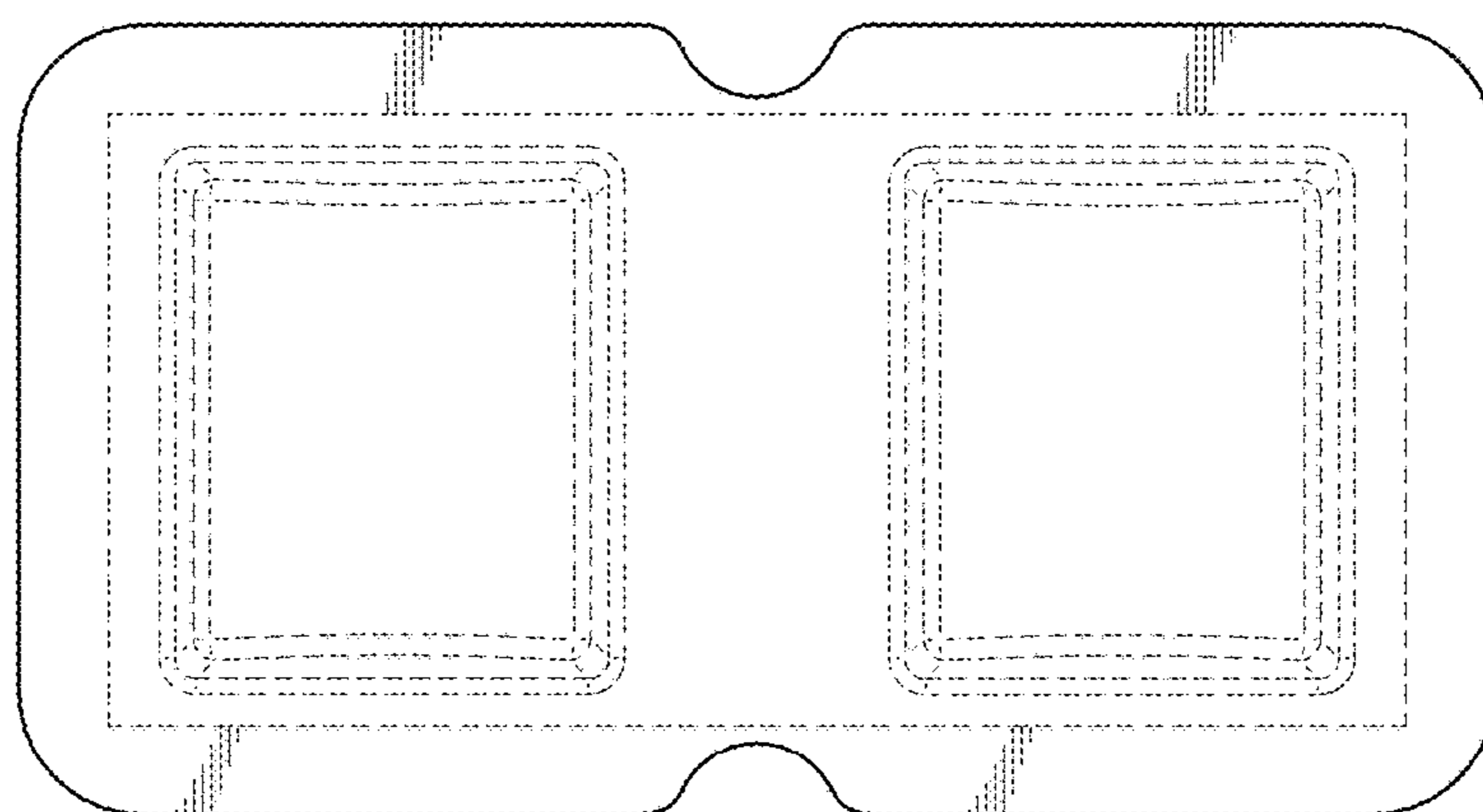


FIG. 6

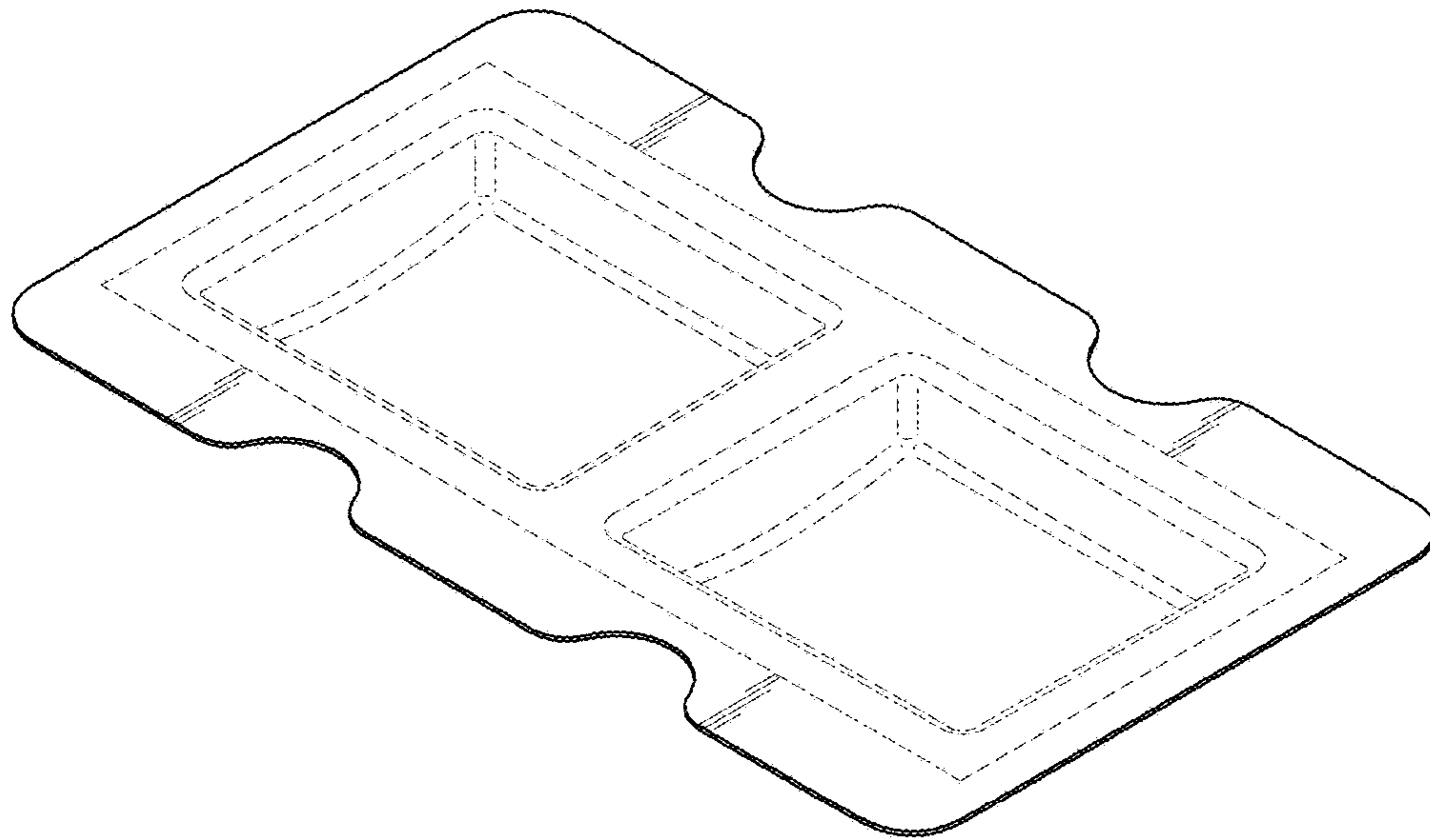


FIG. 7

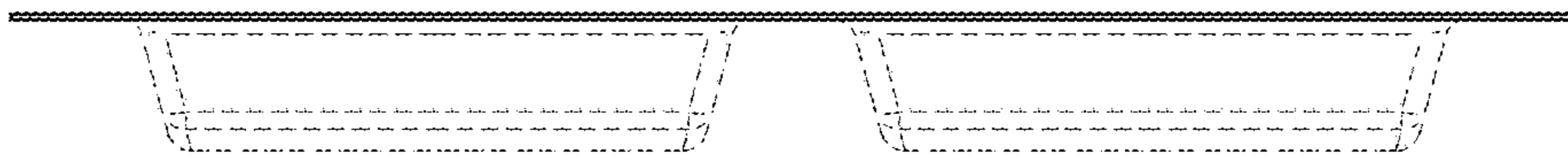


FIG. 8



FIG. 9

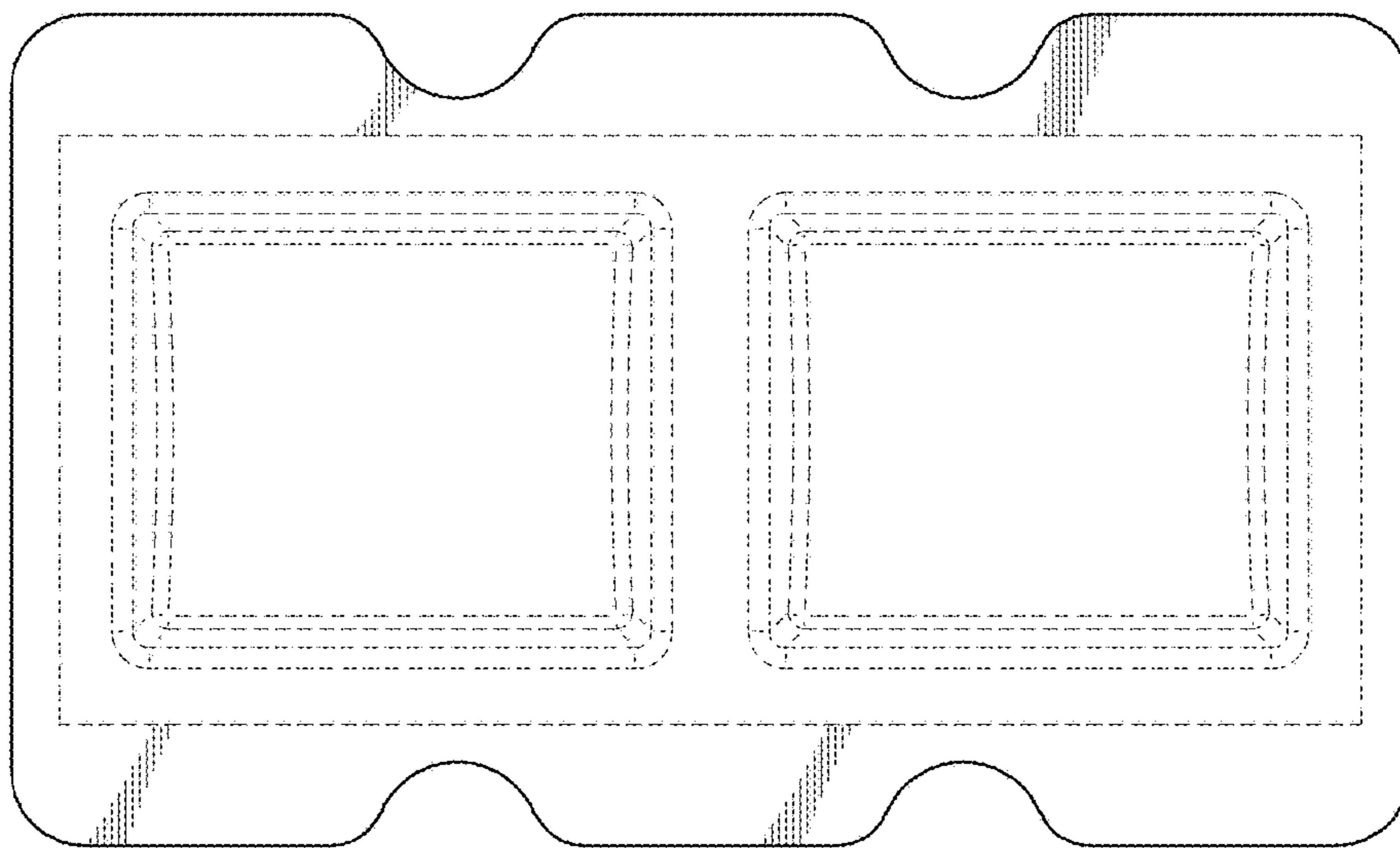


FIG. 10

