



US00D866240S

(12) **United States Design Patent** (10) **Patent No.:** **US D866,240 S**
Glucksman et al. (45) **Date of Patent:** **** Nov. 12, 2019**

(54) **COUNTERTOP COOKING APPLIANCE**

(71) Applicant: **Dov Z. Glucksman**, Winchester, MA (US)

(72) Inventors: **Dov Z. Glucksman**, Winchester, MA (US); **Michael David Miller**, Tewksbury, MA (US)

(**) Term: **15 Years**

(21) Appl. No.: **29/683,141**

(22) Filed: **Mar. 11, 2019**

Related U.S. Application Data

(63) Continuation-in-part of application No. 29/663,335, filed on Sep. 13, 2018, and a continuation-in-part of application No. 15/828,291, filed on Nov. 30, 2017, said application No. 29/663,335 is a continuation-in-part of application No. 29/627,196, filed on Nov. 22, 2017, now abandoned.

(51) **LOC (12) Cl.** **07-02**

(52) **U.S. Cl.**
USPC **D7/354**

(58) **Field of Classification Search**
USPC D7/323, 354-361
CPC A47J 27/00; A47J 27/004; A47J 27/04; A47J 27/05; A47J 27/08; A47J 27/09; A47J 27/092; A47J 36/025; A47J 36/06; A47J 36/08; A47J 36/10; A47J 36/12; A47J 37/015; A47J 37/12; A47J 37/1204; A47J 37/1209; H05B 6/02; H05B 6/06; H05B 6/12

See application file for complete search history.

(56) **References Cited**

U.S. PATENT DOCUMENTS

2,266,901 A * 12/1941 Parsons A47J 37/015
219/400
2,341,648 A * 2/1944 Parr A47J 37/015
362/92

D451,335 S * 12/2001 Rossman D7/360
D644,476 S * 9/2011 Gregory D7/354
D646,114 S * 10/2011 Wong D7/354
D657,993 S * 4/2012 Pantaleo D7/354
D697,363 S * 1/2014 Tu D7/354
D820,631 S * 6/2018 Ye D7/357
D833,802 S * 11/2018 Yang D7/357
D846,332 S * 4/2019 Gill D7/357
D846,334 S * 4/2019 Gill D7/357
2004/0079747 A1 * 4/2004 Wang A47J 27/004
219/438

* cited by examiner

Primary Examiner — Ricky Pham

(74) *Attorney, Agent, or Firm* — Frank Marino

(57) **CLAIM**

The ornamental design for a countertop cooking appliance, as shown and described.

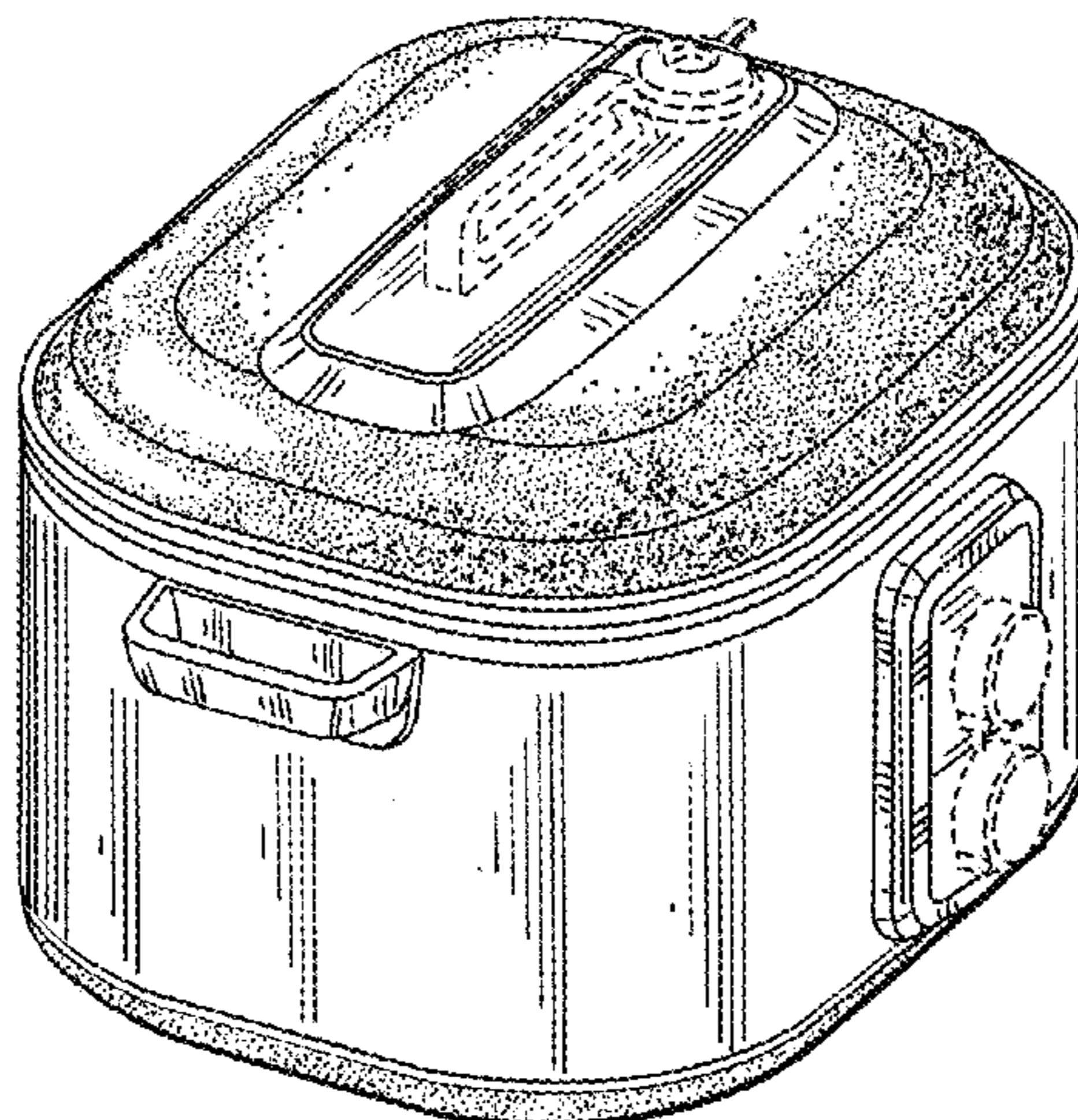
DESCRIPTION

FIG. 1 is a perspective view of the countertop cooking appliance according to our new design in a first configuration;

FIG. 2 is a top view of the appliance of FIG. 1; FIG. 3 is a front view of the appliance of FIG. 1; FIG. 4 is a left side view of the appliance of FIG. 1; FIG. 5 is a rear view of the appliance of FIG. 1; FIG. 6 is a right side view of the appliance of FIG. 1; and, FIG. 7 is a bottom view of the appliance of FIG. 1.

The rear and bottom views are provided for reference only and form no part of the claimed design. Components shown in broken lines are for environment only and form no part of the claimed design.

1 Claim, 4 Drawing Sheets



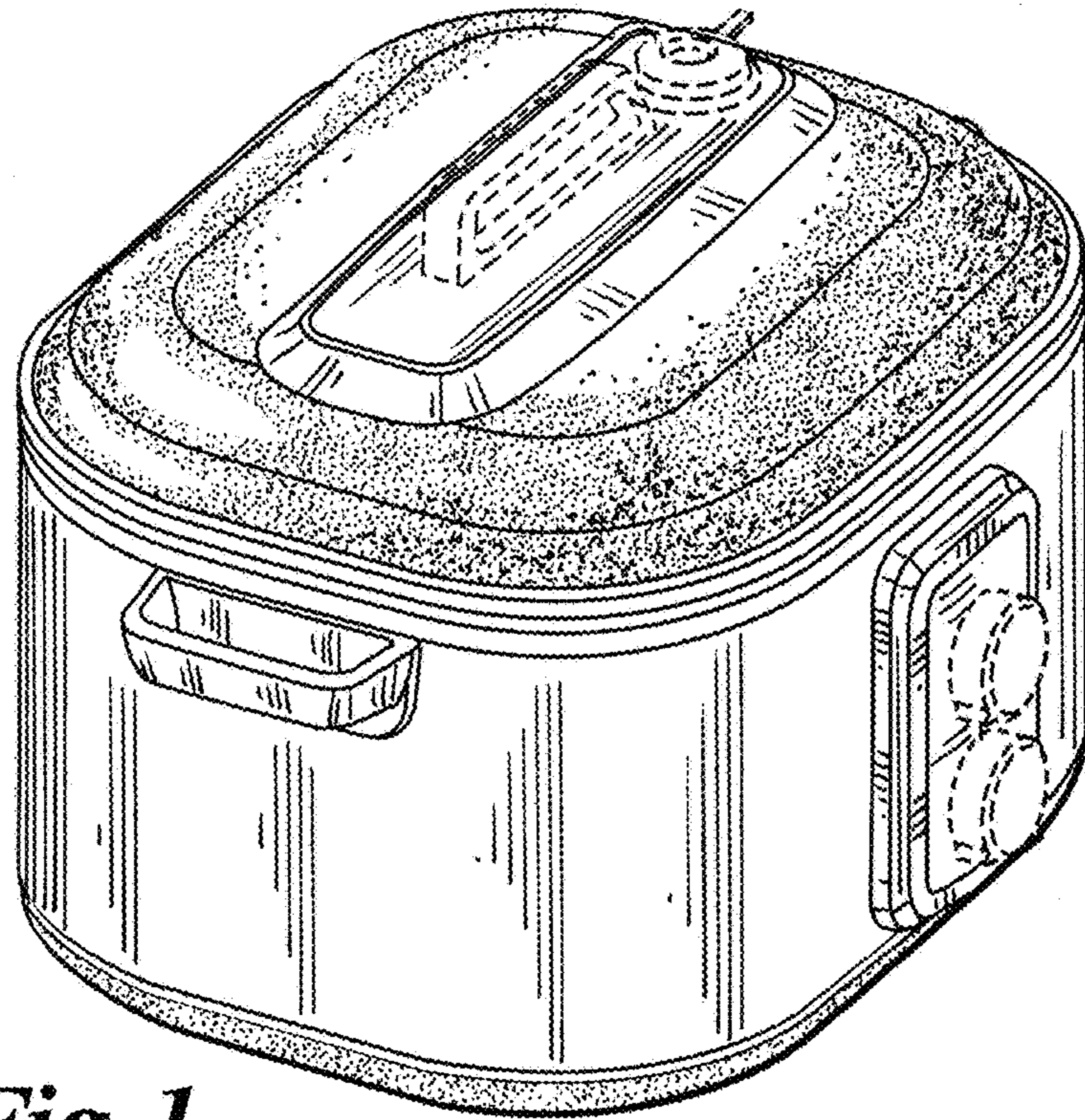


Fig. 1

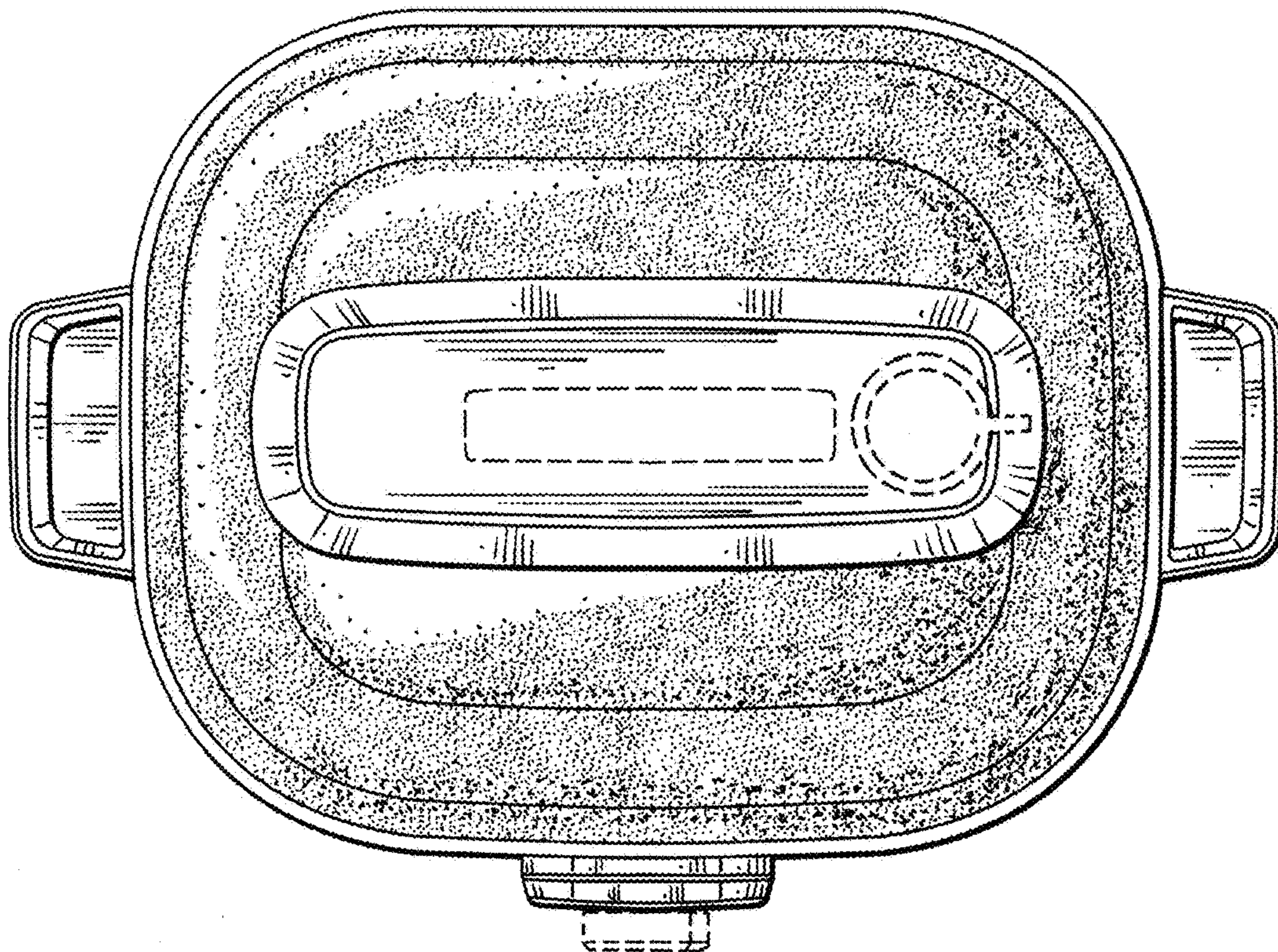


Fig. 2

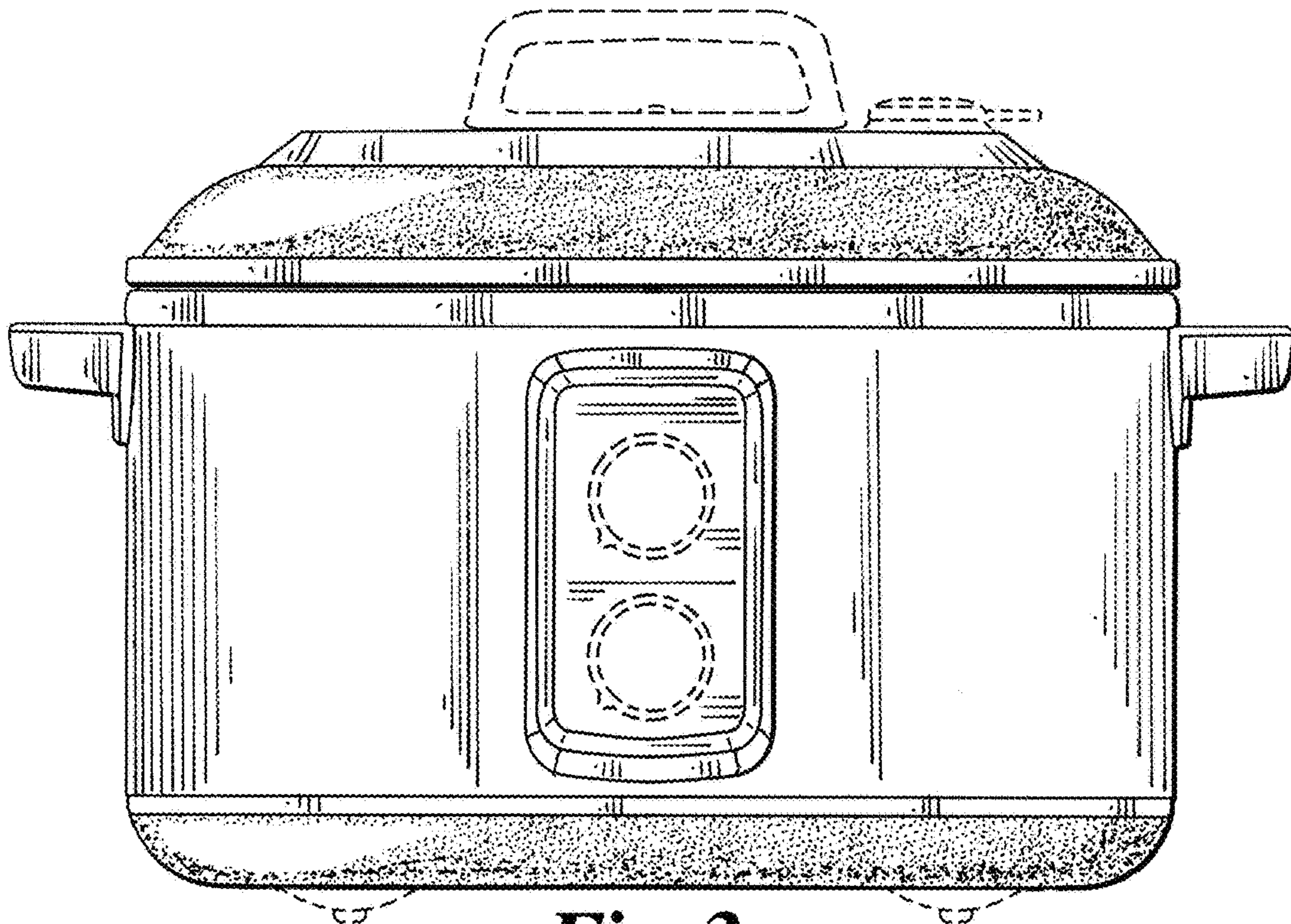


Fig. 3

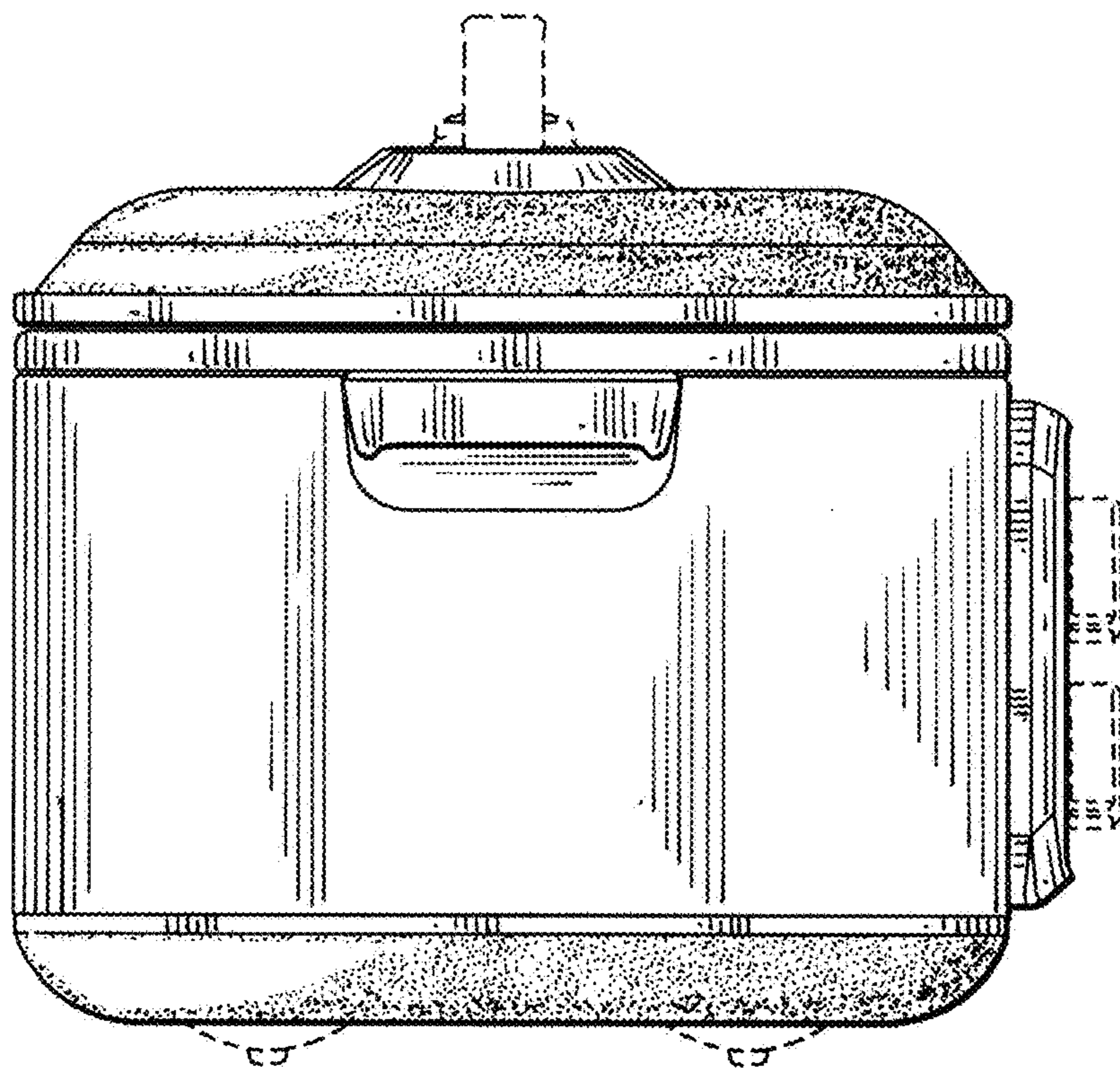


Fig. 4

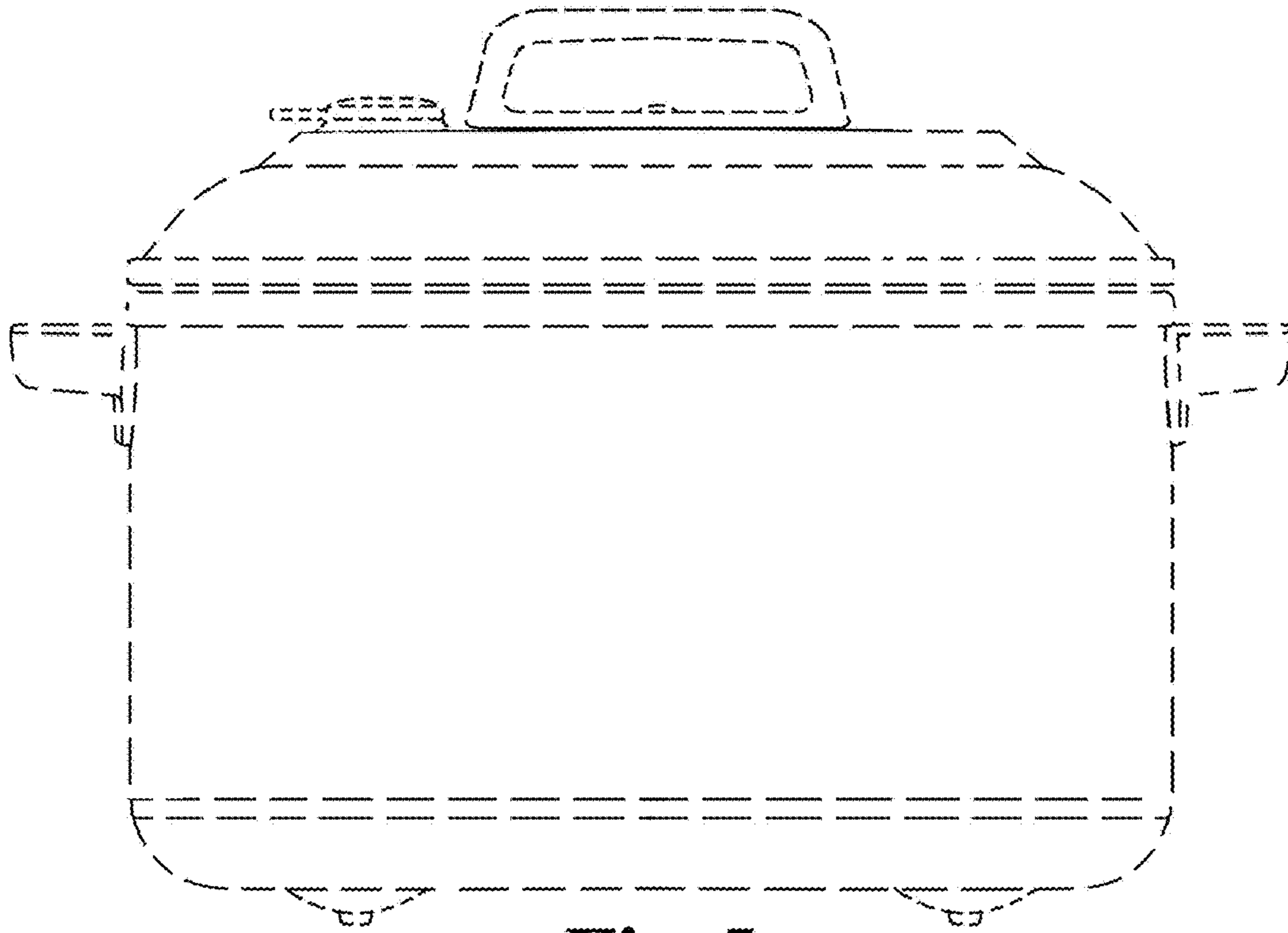


Fig. 5

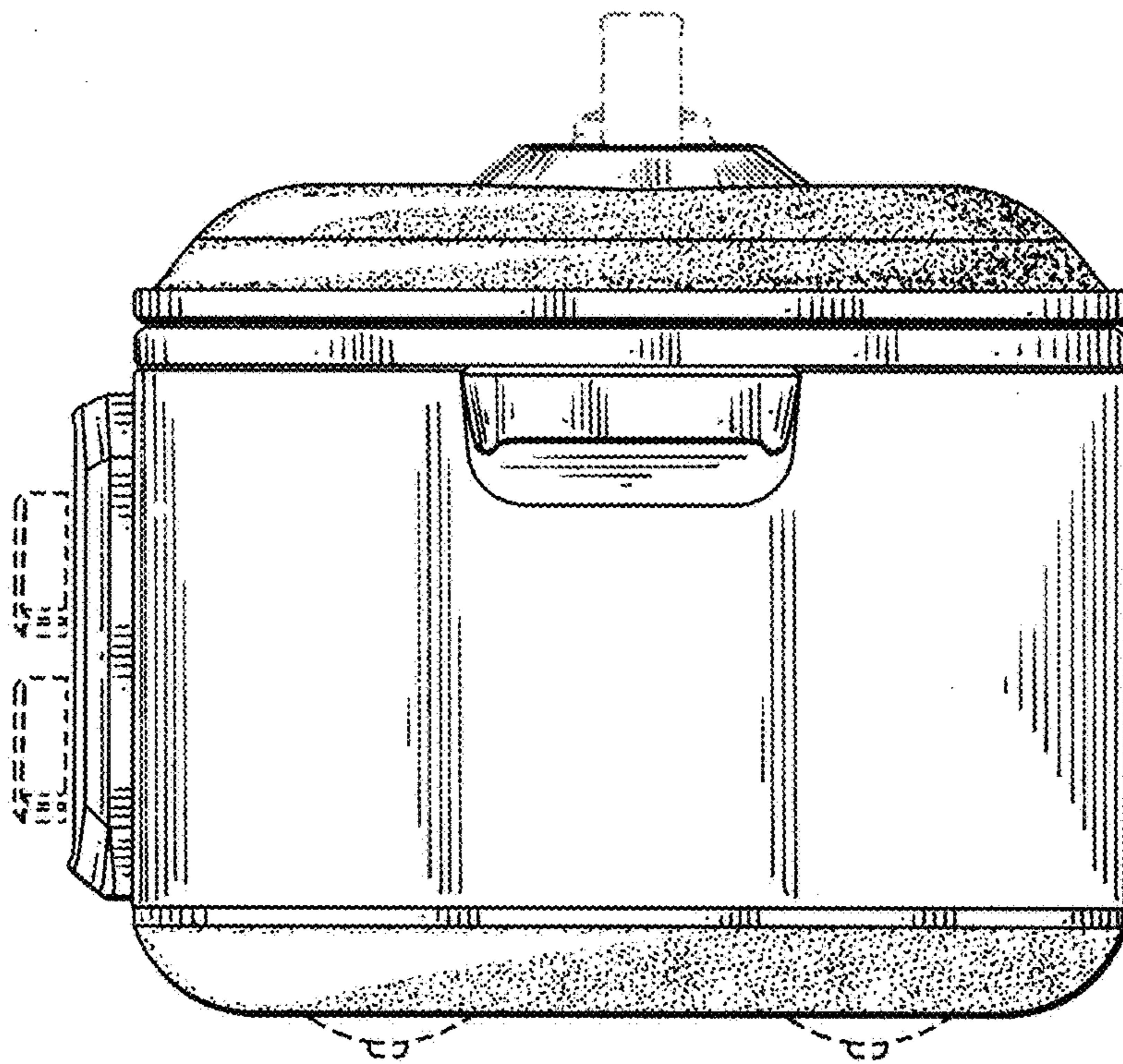


Fig. 6

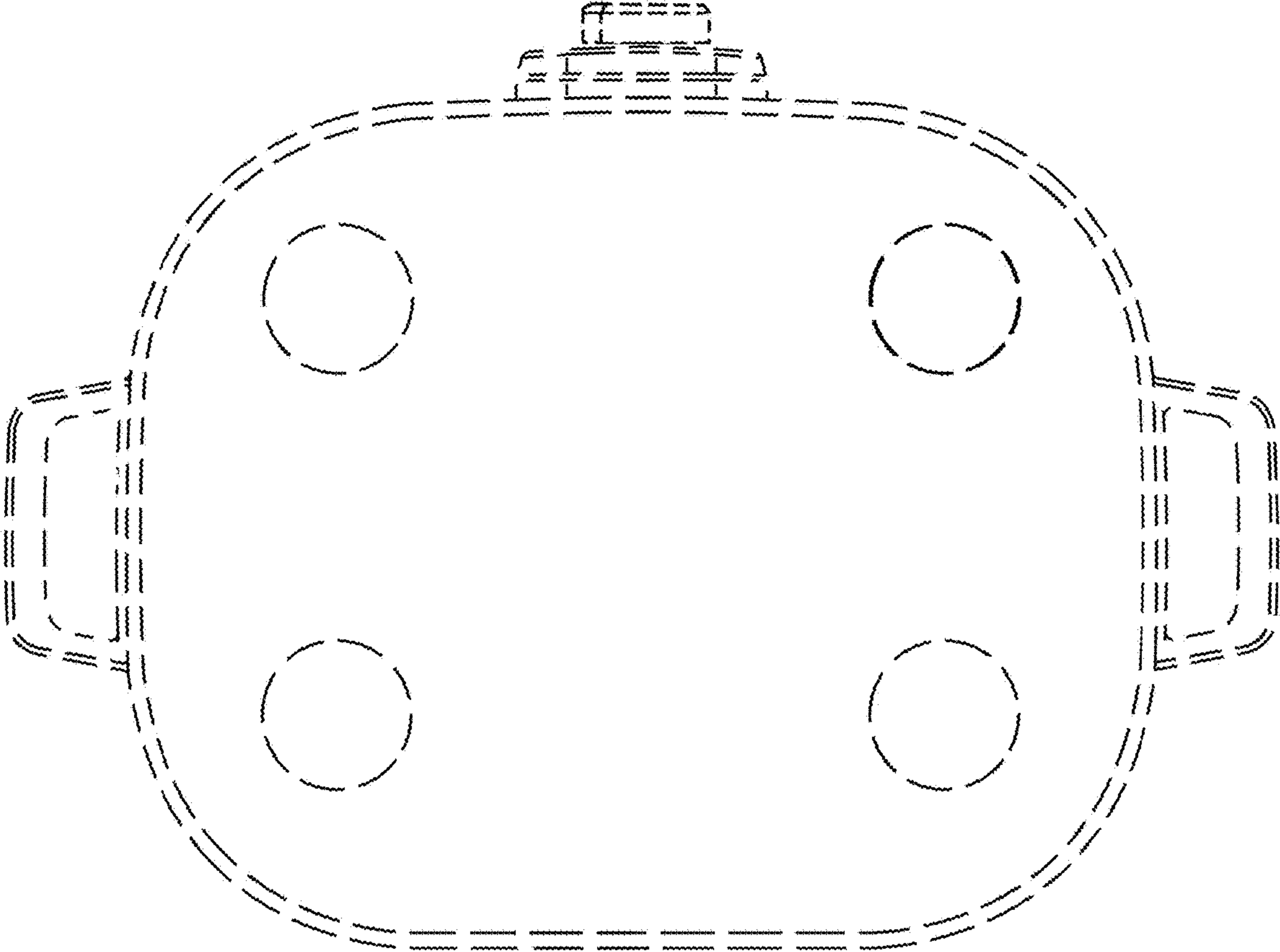


Fig. 7