



US00D866239S

(12) **United States Design Patent**  
**Amirault et al.**

(10) **Patent No.:** **US D866,239 S**

(45) **Date of Patent:** **\*\* Nov. 12, 2019**

(54) **CHAFING PAN**

(71) Applicant: **STERNO PRODUCTS, LLC.**, Corona, CA (US)

(72) Inventors: **David Amirault**, Corona, CA (US);  
**Andrew B. Mendenhall**, Corona, CA (US);  
**Dennis M. Turner**, Corona, CA (US);  
**Steven L. Cox**, Corona, CA (US)

(73) Assignee: **Sterno Products, LLC**, Corona, CA (US)

(\*\*) Term: **15 Years**

(21) Appl. No.: **29/664,528**

(22) Filed: **Sep. 26, 2018**

(51) **LOC (12) Cl.** ..... **07-02**

(52) **U.S. Cl.**

USPC ..... **D7/354**

(58) **Field of Classification Search**

USPC ..... D7/323, 354-361, 543, 545, 549, 550.1,  
D7/553.1-553.8, 554.1-554.4, 555, 584,  
D7/586; D9/430-433, 455-456, 658,  
D9/737, 756-762; D34/3

CPC .... A21B 3/00; A21B 3/13; A21B 3/15; A21B  
3/133-3/134; A21B 5/00; A21B 5/02;  
A47J 27/04; A47J 27/10; A47J 27/12;  
A47J 27/14; A47J 27/18; A47J 36/022;  
A47J 36/025; A47J 36/027; A47J 36/24;  
A47J 36/28; A47J 36/2405; A47J 37/00;  
A47J 37/04; B65D 1/22; B65D 1/24;  
B65D 1/34; B65D 1/36; B65D 81/343;  
B65D 85/36

See application file for complete search history.

(56) **References Cited**

**U.S. PATENT DOCUMENTS**

3,364,844 A \* 1/1968 Felske ..... A47J 27/04  
99/331

3,378,333 A 4/1968 Brite

3,871,357 A 3/1975 Grosso et al.  
4,920,873 A \* 5/1990 Stevens ..... A47J 27/14  
126/246  
5,045,672 A \* 9/1991 Scott ..... A47J 27/18  
126/33  
5,117,809 A 6/1992 Scaringe et al.  
5,467,697 A \* 11/1995 Hunziker ..... A47J 27/10  
126/33  
5,542,418 A 8/1996 James  
5,819,640 A \* 10/1998 Cuomo ..... A47J 27/10  
99/483  
6,289,889 B1 9/2001 Bell et al.  
6,415,945 B1 \* 7/2002 Zank ..... A47J 27/12  
206/499  
6,440,509 B1 8/2002 Littlejohn et al.  
(Continued)

**FOREIGN PATENT DOCUMENTS**

FR 2659940 A1 9/1991  
WO 2007098031 A2 8/2007  
WO 2013069832 A1 5/2013

*Primary Examiner* — Ricky Pham

(74) *Attorney, Agent, or Firm* — Stetina Brunda Garred & Bruker; Lowell Anderson

(57) **CLAIM**

The ornamental design for a chafing pan, as shown and described.

**DESCRIPTION**

FIG. 1 is a top perspective view of the chafing pan of this invention;

FIG. 2 is a bottom perspective view of the chafing pan of FIG. 1;

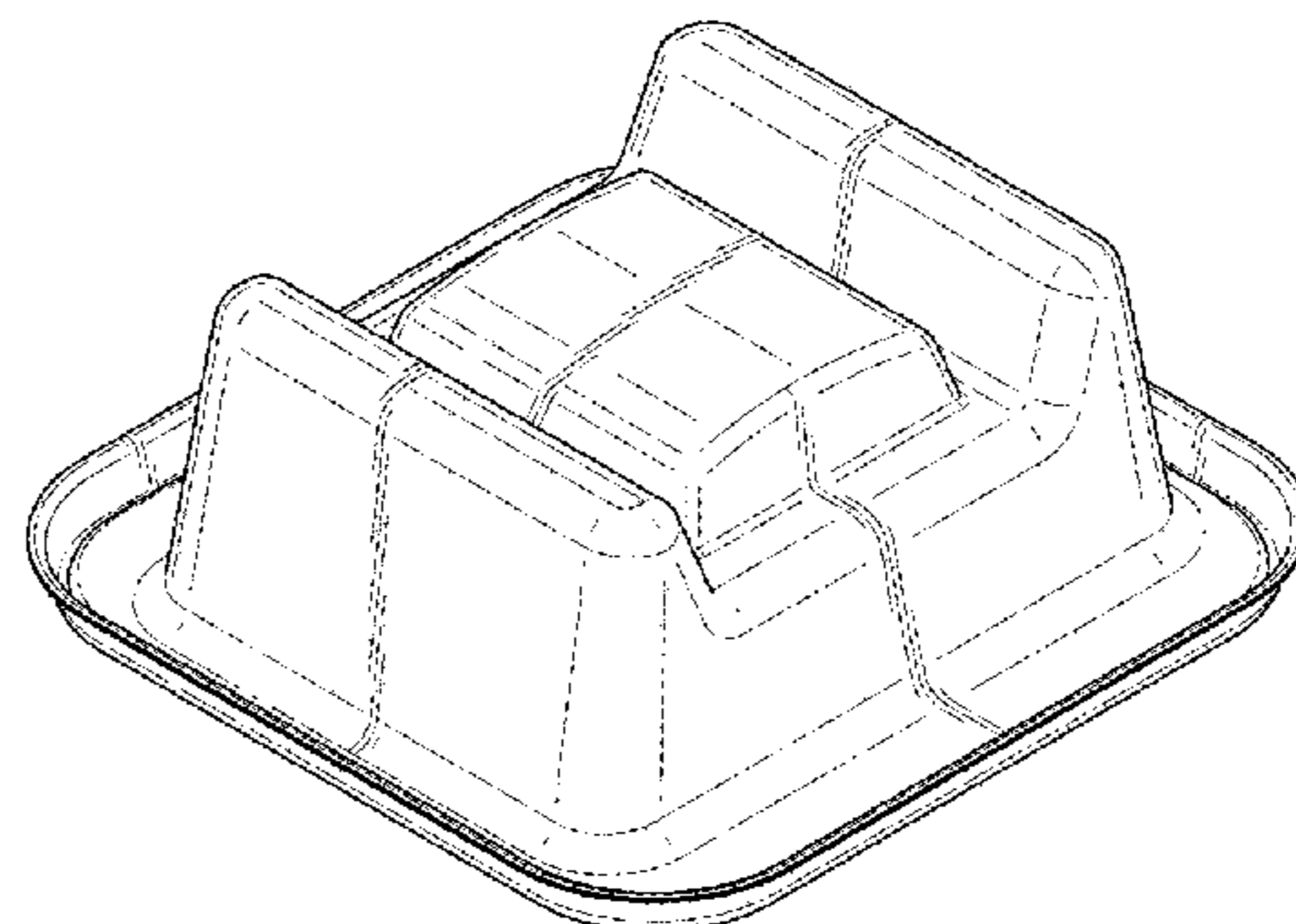
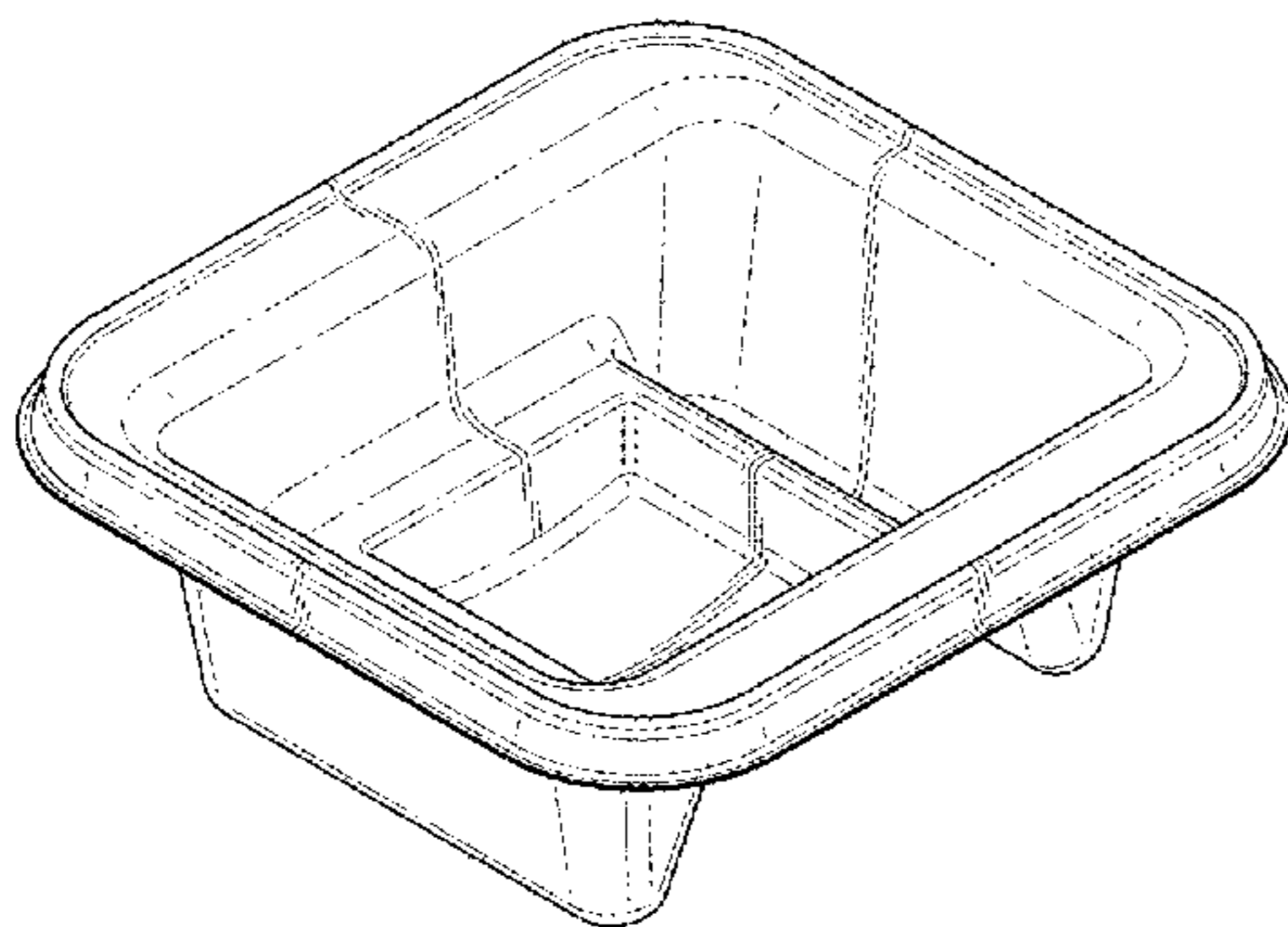
FIG. 3 is a front view of the chafing pan of FIG. 1, with the back view being a mirror image thereof;

FIG. 4 is a right-side view of the chafing pan of FIG. 1, with the left-side view being a mirror image thereof;

FIG. 5 is a top view of the chafing pan of FIG. 1; and,

FIG. 6 is a bottom view of the chafing pan of FIG. 1.

**1 Claim, 3 Drawing Sheets**



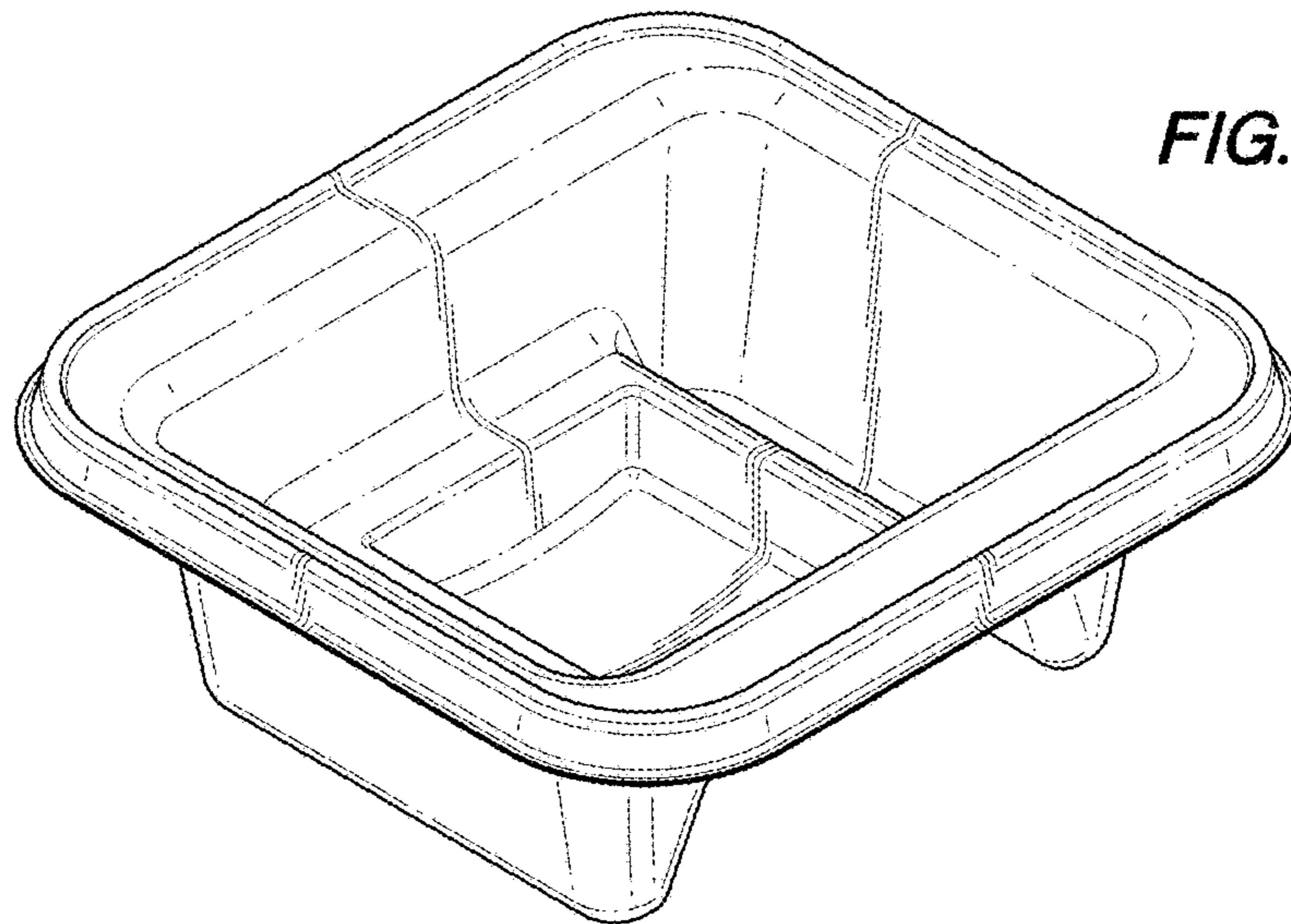
(56)

**References Cited**

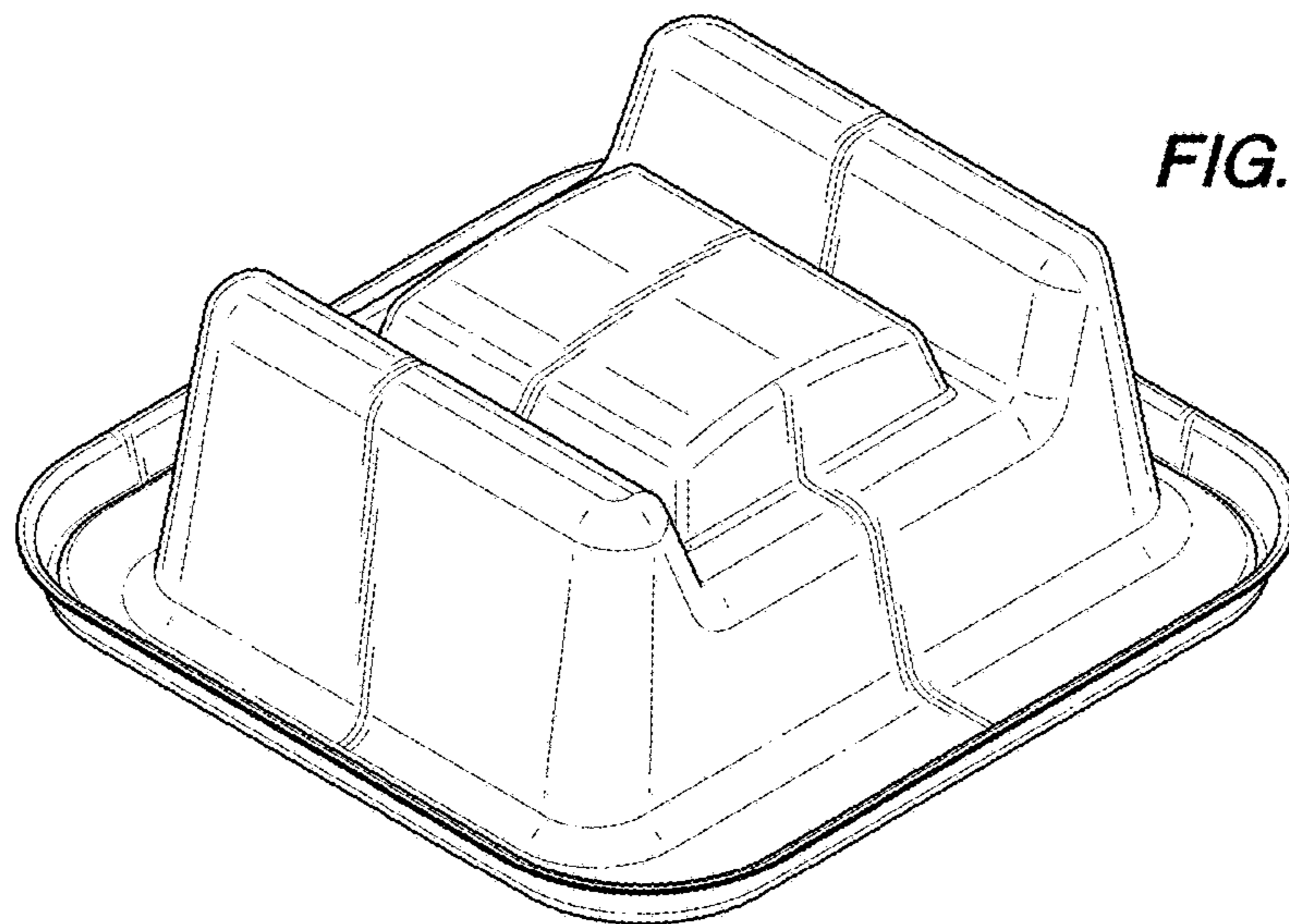
U.S. PATENT DOCUMENTS

D468,580	S *	1/2003	Ruiseco .....	A47J 27/10 D7/355
6,530,935	B2	3/2003	Wensel et al.	
7,025,055	B2	4/2006	Scudder et al.	
D548,001	S *	8/2007	Gross .....	A47J 27/18 D7/355
7,392,907	B2	7/2008	Herbert et al.	
9,016,511	B2	4/2015	Widitora et al.	
9,435,567	B2	9/2016	Ra	
9,731,879	B2	8/2017	Sheldon et al.	
9,851,125	B2	12/2017	Arnold	
D822,931	S *	7/2018	Fisher .....	D34/3
2003/0192525	A1 *	10/2003	Ruiseco .....	A47J 36/24 126/33
2007/0044667	A1 *	3/2007	Steinmetz .....	A47J 36/24 99/483
2015/0017287	A1	1/2015	Sevim	
2015/0136633	A1	5/2015	Sarnoff et al.	
2016/0157676	A1 *	6/2016	Difante .....	A47J 36/2405 126/33
2017/0326618	A1	11/2017	Sarnoff et al.	
2018/0092493	A1 *	4/2018	Hale .....	A47J 36/28

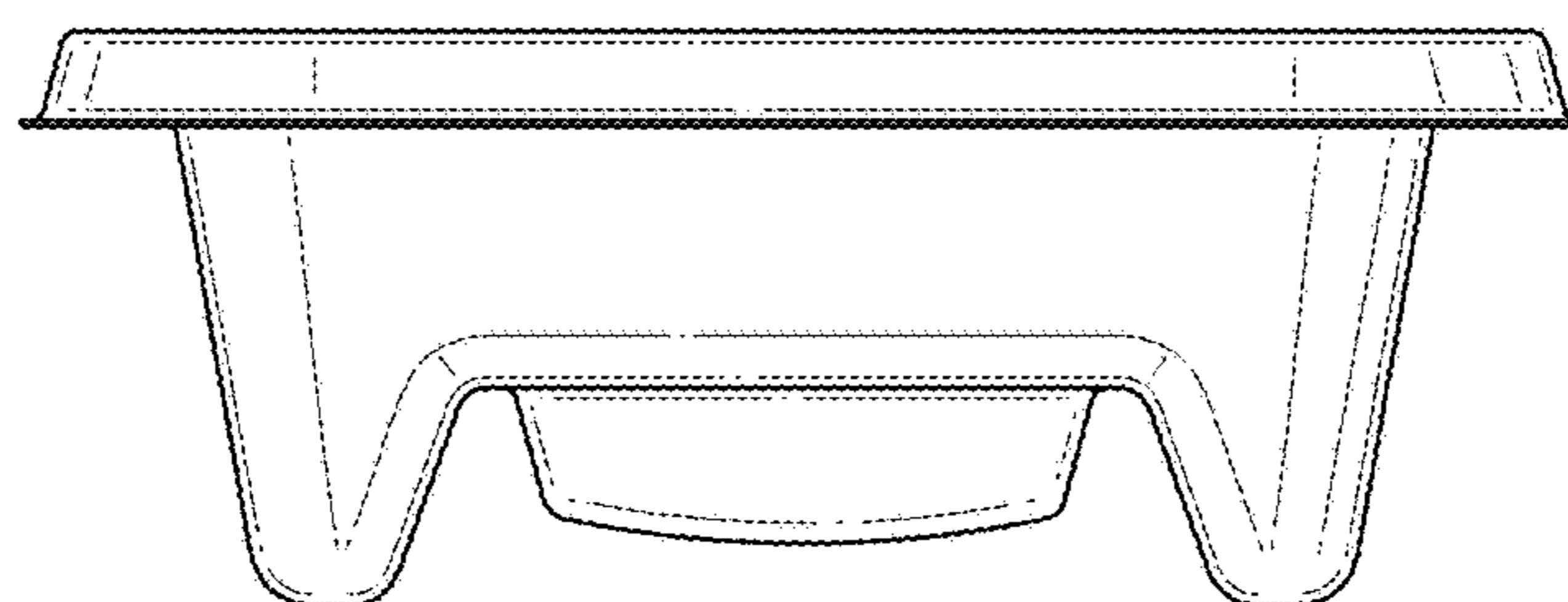
\* cited by examiner



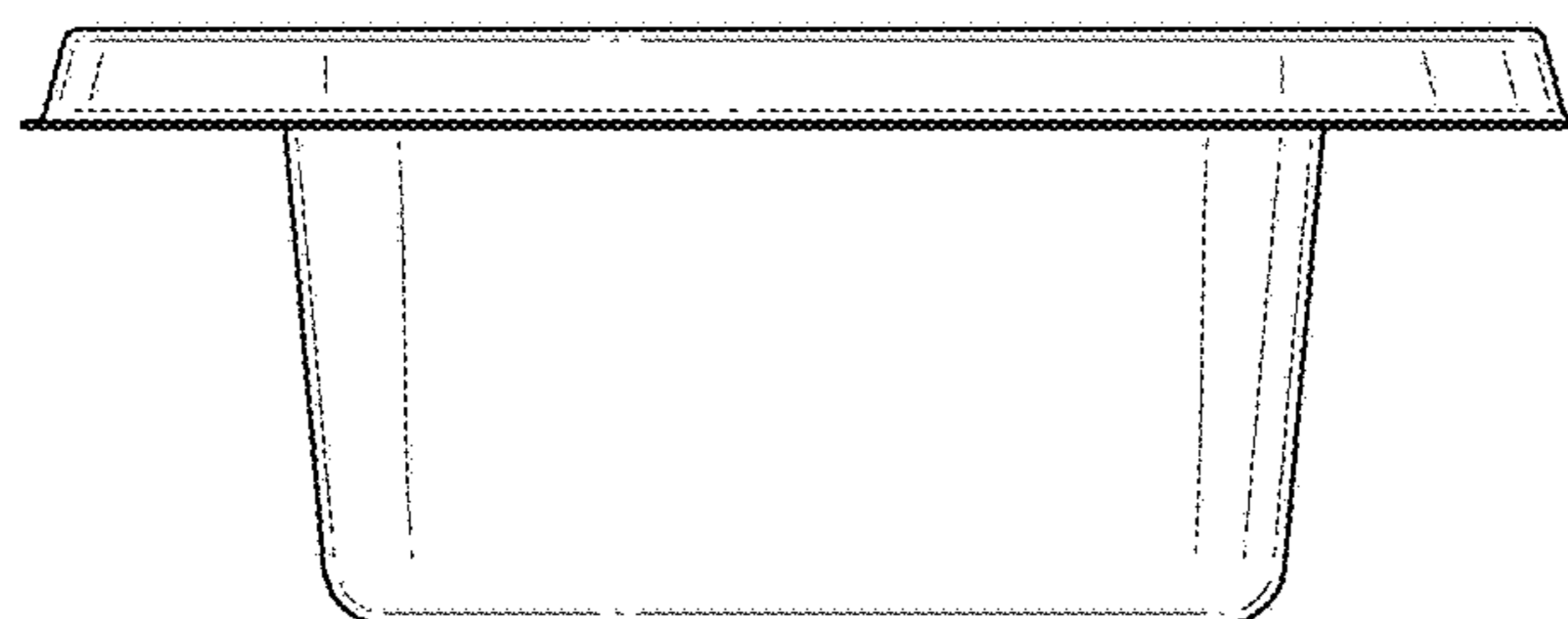
**FIG. 1**



**FIG. 2**



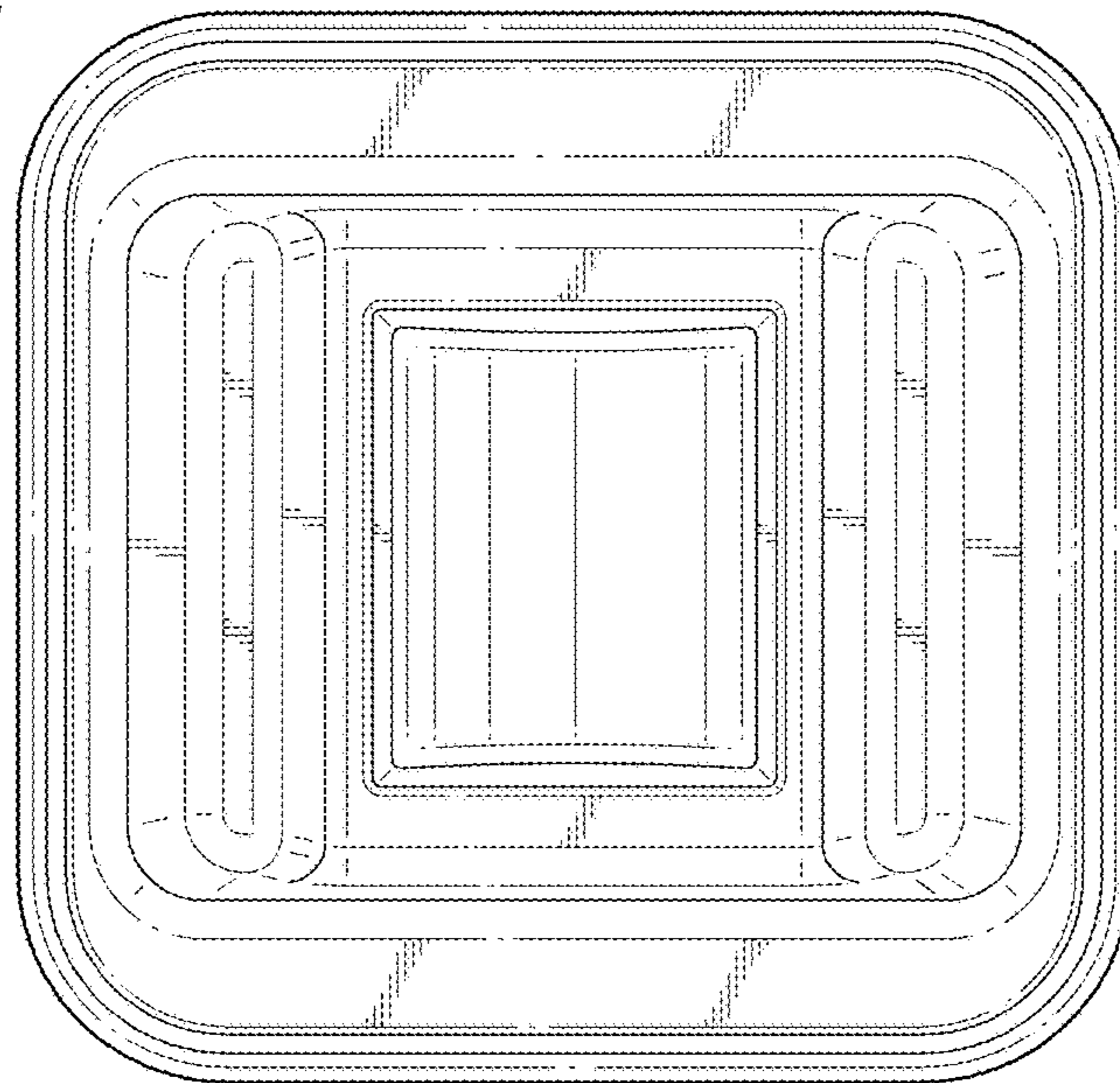
*FIG. 3*



*FIG. 4*



**FIG. 5**



**FIG. 6**

