



US00D866238S

(12) **United States Design Patent** (10) **Patent No.:** **US D866,238 S**
Tran (45) **Date of Patent:** **** Nov. 12, 2019**

(54) **COMBINED STRAINER AND DIVIDER BASKET**

(71) Applicant: **Hatrigo LLC**, Renton, WA (US)

(72) Inventor: **Tri Minh Tran**, Renton, WA (US)

(73) Assignee: **HATRIGO LLC**, Renton, WA (US)

(**) Term: **15 Years**

(21) Appl. No.: **29/654,616**

(22) Filed: **Jun. 26, 2018**

(51) **LOC (12) Cl.** **07-01**

(52) **U.S. Cl.**
USPC **D7/354; D7/667**

(58) **Field of Classification Search**
USPC D7/667, 668, 400, 669, 368, 354, 357,
D7/360, 361
CPC .. A47J 43/24; A47J 43/22; A47J 43/00; A47J
19/04; A47J 19/005; A47J 36/08; A47J
36/20; A47J 36/22; A47J 27/16; A47J
27/04; A47J 31/06; A47J 42/28; A47J
42/286; A47J 37/047; B01D 29/035

See application file for complete search history.

D353,241 S 12/1994 Breen
D361,477 S 8/1995 Licari
D385,756 S 11/1997 Licari
D395,787 S * 7/1998 Wilks D7/357
D396,609 S 8/1998 Licari
D396,610 S 8/1998 Licari
D432,368 S 10/2000 Kaposi et al.
6,167,799 B1 * 1/2001 Macias A47J 27/04
99/403
D458,091 S 6/2002 Wallays et al.
6,711,992 B1 * 3/2004 McLemore A47J 27/04
99/339
D628,861 S 12/2010 Lane
D665,233 S 8/2012 Shamoon
D691,426 S 10/2013 Brown et al.
D736,042 S 8/2015 Serrahima et al.
D778,691 S 2/2017 Powell et al.
D790,291 S 6/2017 Durmus

(Continued)

Primary Examiner — Terry A Wallace

(74) *Attorney, Agent, or Firm* — Dunlap Bennett & Ludwig PLLC

(57) **CLAIM**

The ornamental design for a combined strainer and divider basket, as shown and described.

DESCRIPTION

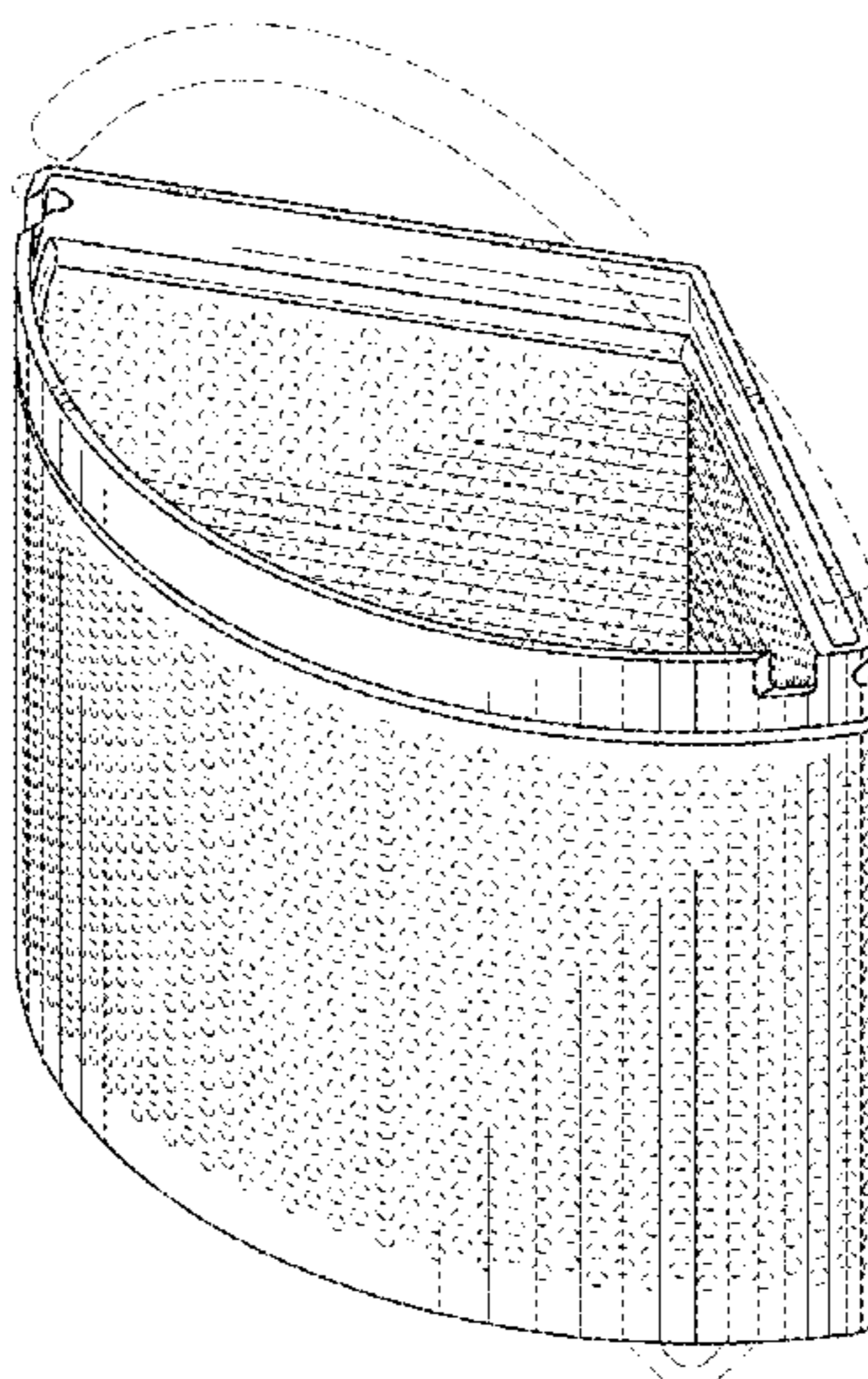
FIG. 1 is a top front perspective view of a combined strainer and divider basket, showing my new design; FIG. 2 is a front elevation view thereof; FIG. 3 is a rear elevation view thereof; FIG. 4 is a right side elevation view thereof, the left side elevation view being a mirror image thereof; FIG. 5 is a top plan view thereof; and, FIG. 6 is a bottom plan view thereof. The broken lines shown in the drawings depict portions of the combined strainer and divider basket that form no part of the claimed design.

1 Claim, 4 Drawing Sheets

(56) **References Cited**

U.S. PATENT DOCUMENTS

1,630,787 A * 5/1927 Cullen A47J 36/20
220/23.88
2,522,152 A * 9/1950 Wilson A47J 36/20
220/23.4
3,908,535 A * 9/1975 Gordon A47J 36/20
99/426
4,052,934 A 10/1977 Shinman
D289,452 S 4/1987 Fuller
D314,315 S 2/1991 Darnell
5,275,092 A * 1/1994 Fauteux A47J 37/047
220/525
5,275,094 A * 1/1994 Naft A47J 36/20
126/369



(56)

References Cited

U.S. PATENT DOCUMENTS

D801,130 S	10/2017	Davison et al.	
2012/0291636 A1*	11/2012	von Seidel	A47J 27/04 99/450
2013/0125765 A1*	5/2013	Difante	A47J 36/20 99/403
2015/0196153 A1*	7/2015	Sykes	A47J 36/20 210/256

* cited by examiner

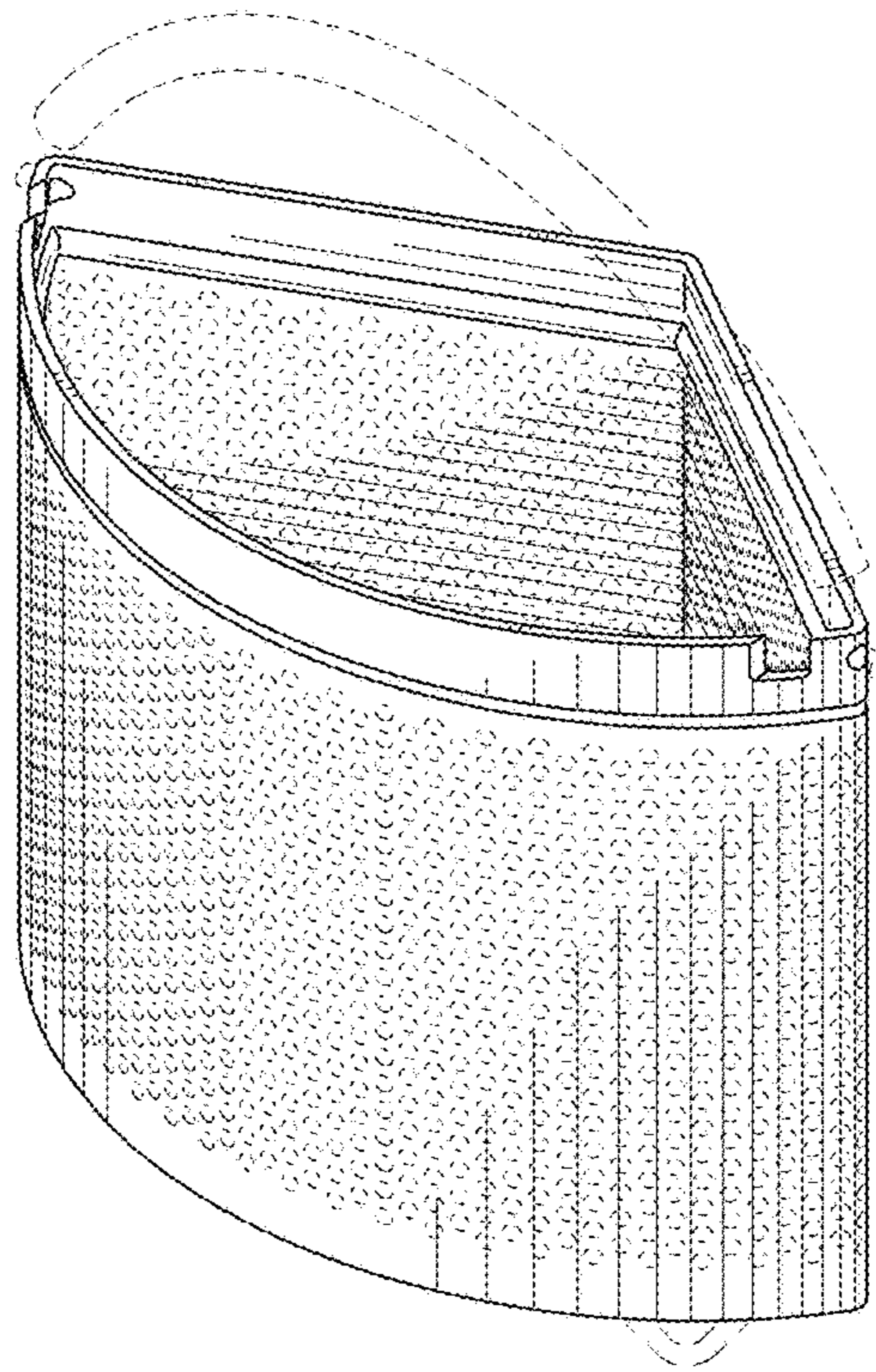


FIG. 1

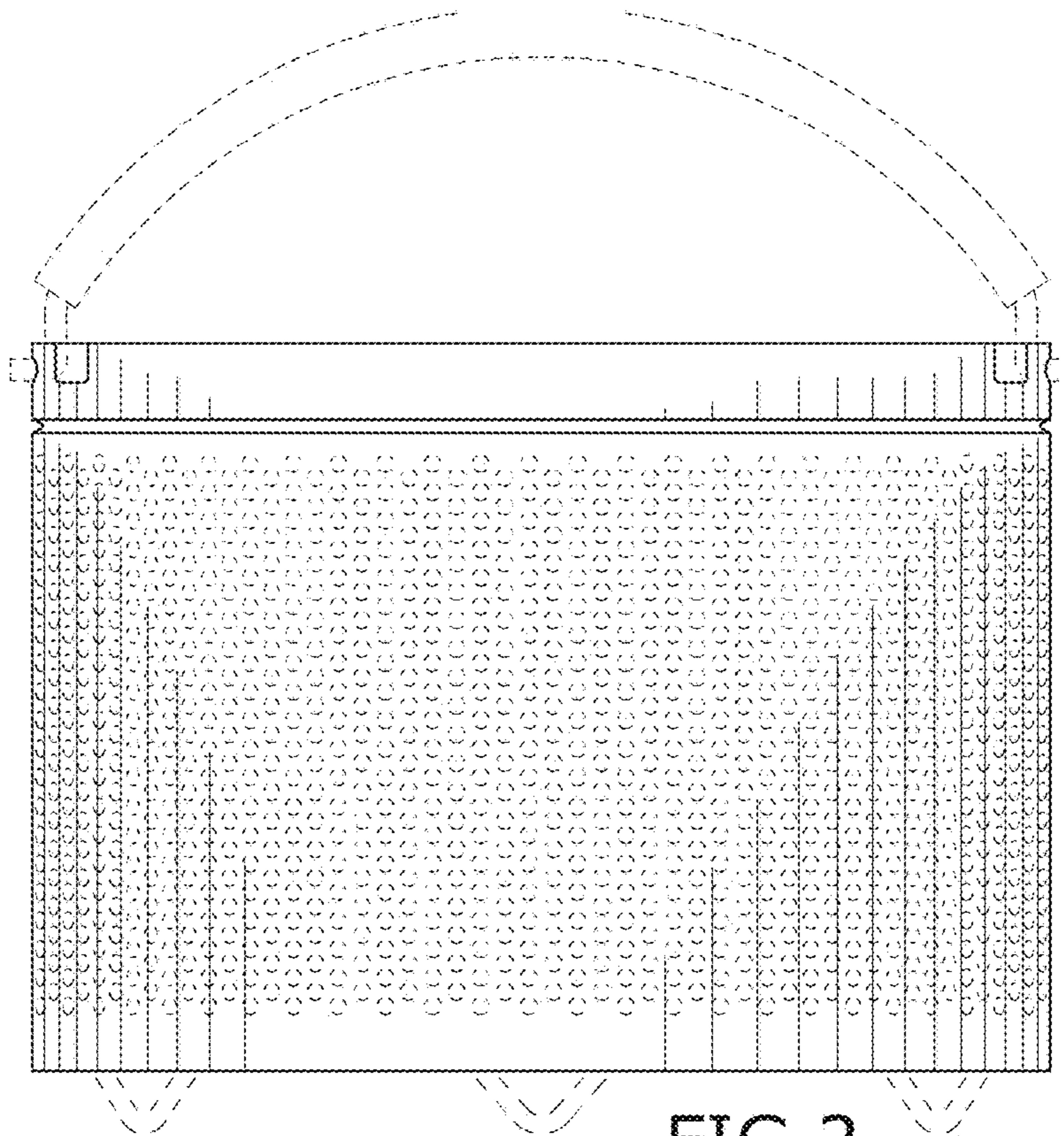


FIG. 2

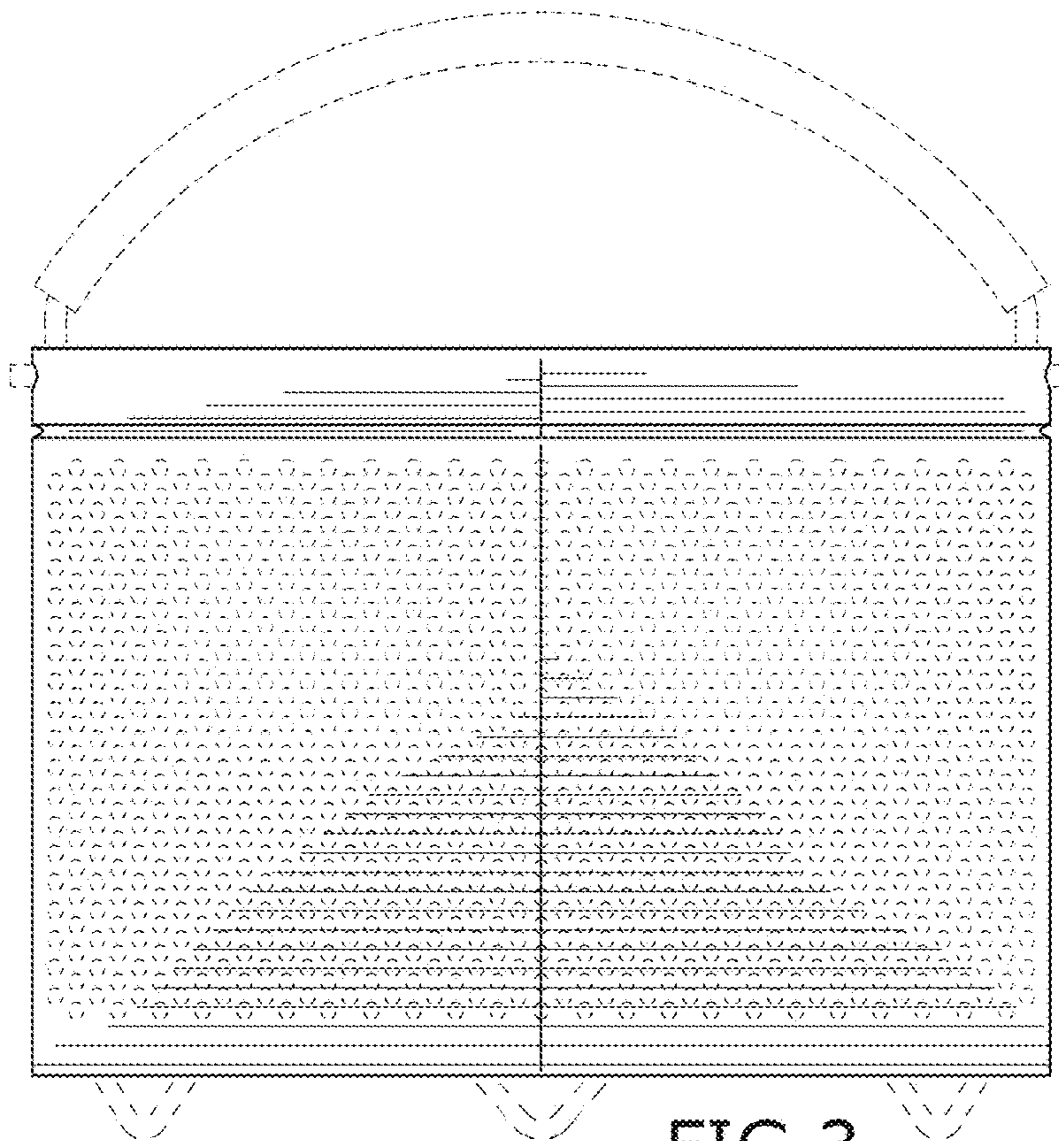


FIG. 3

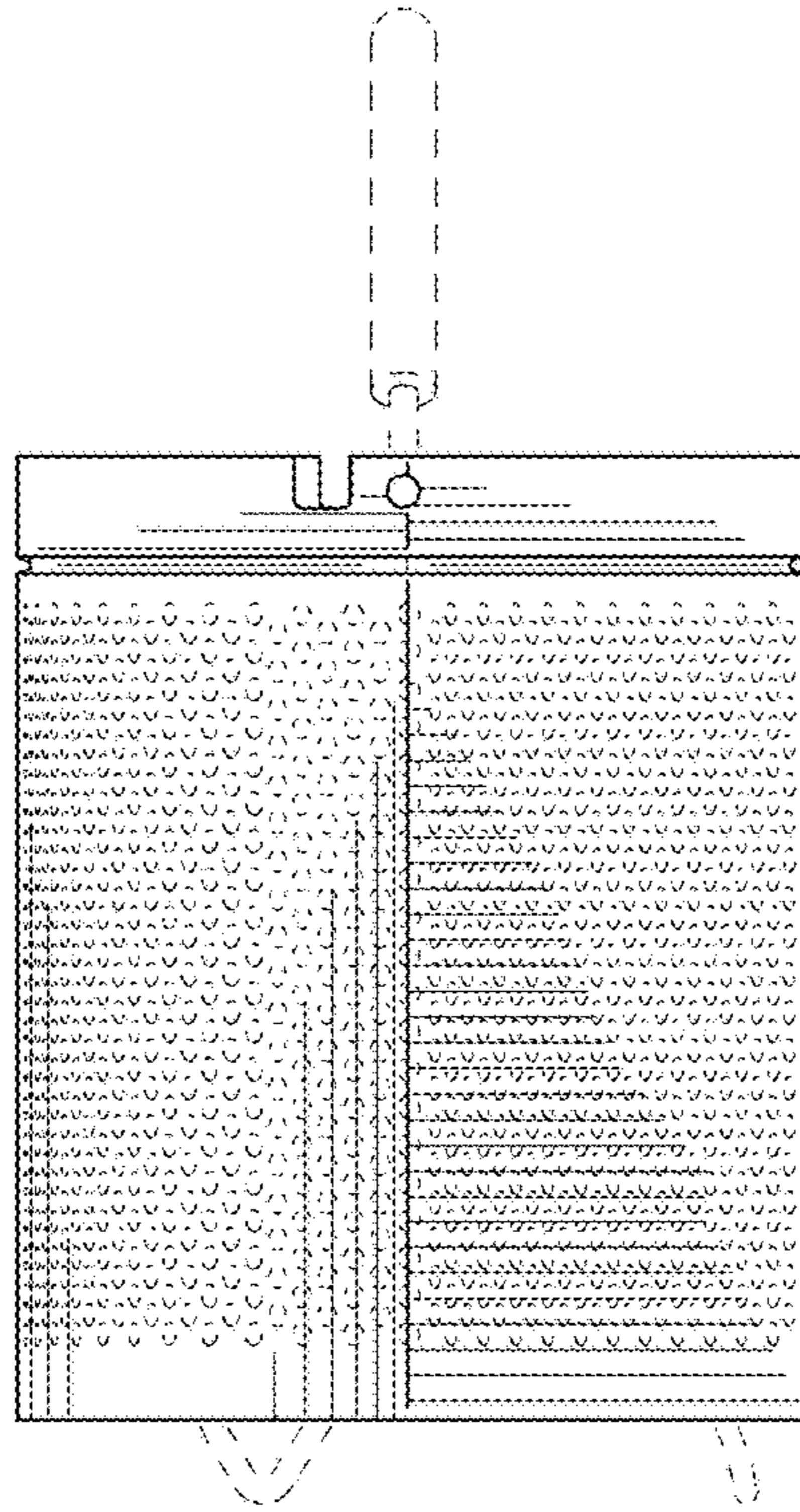


FIG. 4

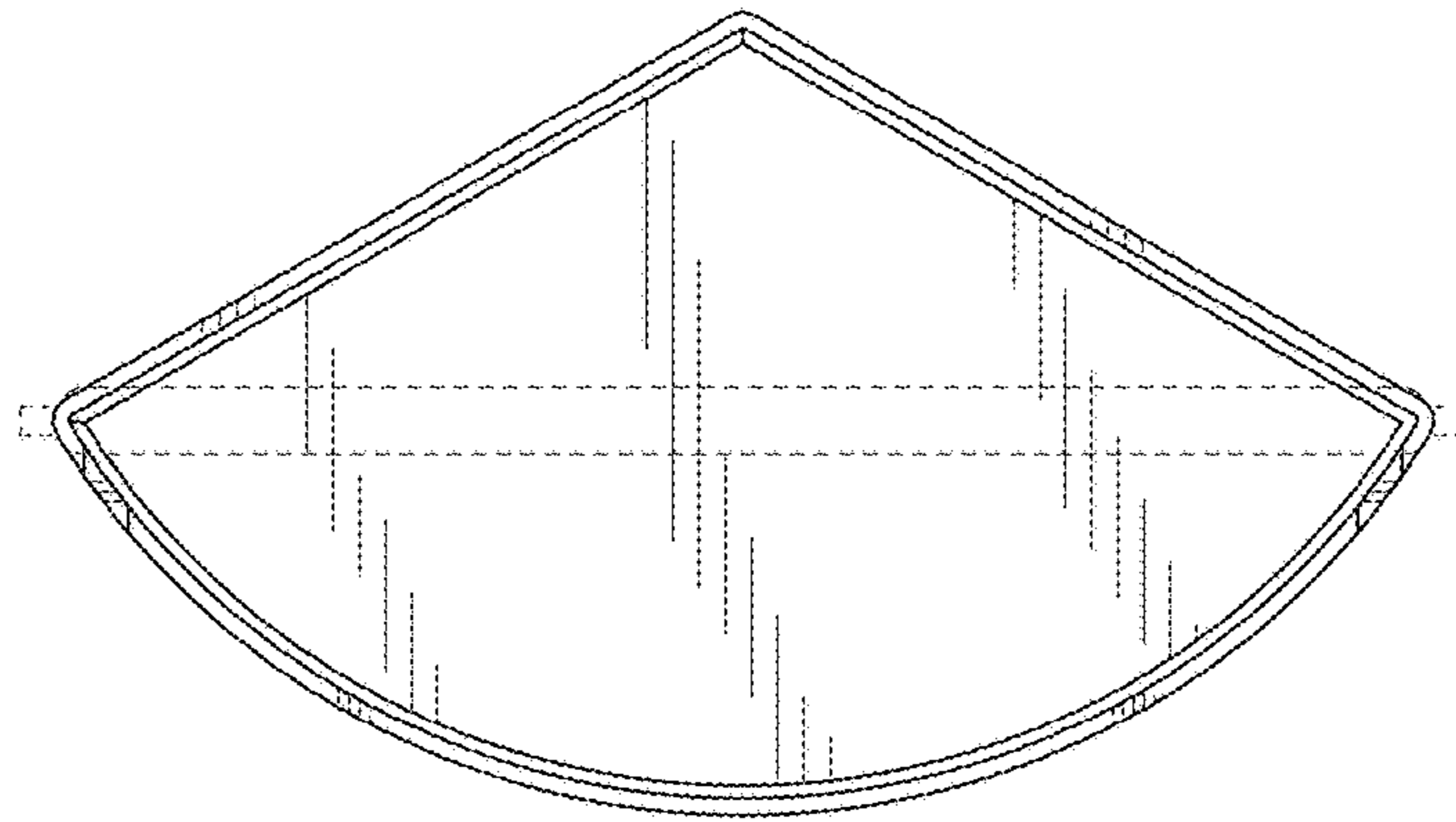


FIG. 5

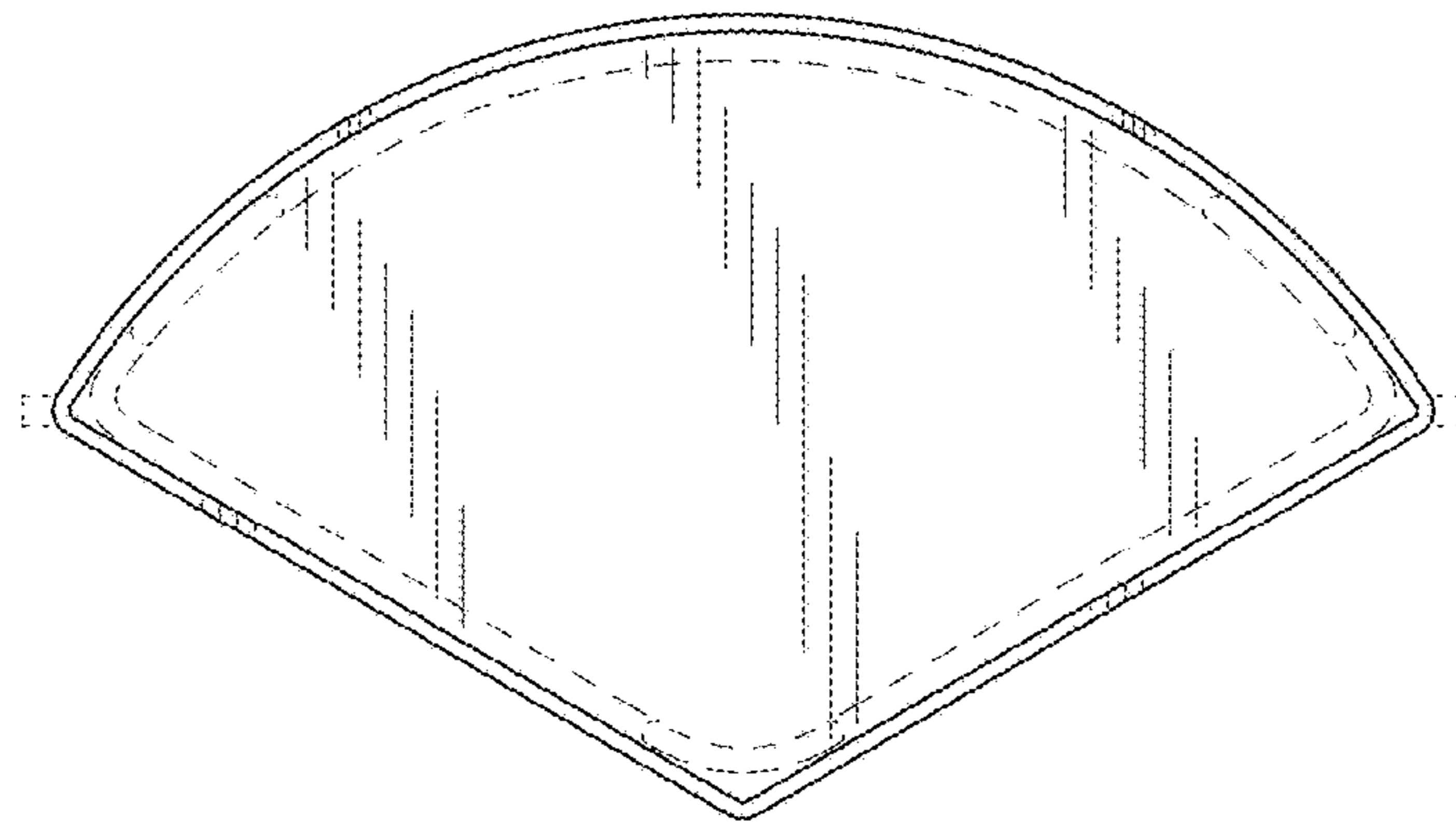


FIG. 6