



US00D866235S

(12) **United States Design Patent**
Pepper

(10) **Patent No.:** **US D866,235 S**

(45) **Date of Patent:** **** Nov. 12, 2019**

(54) **FOLDABLE REUSABLE DRINKING STRAW**

FOREIGN PATENT DOCUMENTS

(71) Applicant: **THE FINAL CO. LLC**, Santa Fe, NM (US)

JP 2014-155524 A 8/2014
KR 20090098400 9/2009

(Continued)

(72) Inventor: **Miles Pepper**, Los Angeles, CA (US)

OTHER PUBLICATIONS

(73) Assignee: **THE FINAL CO. LLC**, Santa Fe, NM (US)

Amazon.com, FinalStraw—Original—Patented—Real Simple, Shark Tank, Kickstarter, Publication date Mar. 2019, [site visited May 7, 2019], Available on the Internet URL https://www.amazon.com/dp/B07KRRGPV4/ref=psdc_16439911_t1_B07KT8XBSS (Year: 2019).*

(**) Term: **15 Years**

(Continued)

(21) Appl. No.: **29/686,520**

(22) Filed: **Apr. 4, 2019**

Primary Examiner — Karen S Acker

Assistant Examiner — Steven B Reinholdt, Jr.

Related U.S. Application Data

(74) *Attorney, Agent, or Firm* — Marshall, Gerstein & Borun LLP

(62) Division of application No. 29/648,754, filed on May 23, 2018.

(51) **LOC (12) Cl.** **07-06**

(52) **U.S. Cl.**
USPC **D7/300.2**

(58) **Field of Classification Search**
USPC D7/300, 300.2, 301, 635; D23/207; D27/101
CPC A47G 21/18; A61J 7/0038; B65D 2517/0049
See application file for complete search history.

(57) **CLAIM**

The ornamental design for a foldable reusable drinking straw, as shown and described.

DESCRIPTION

FIG. 1 is a top, front, right side perspective view of a foldable reusable drinking straw, showing my new design; FIG. 2 is a right side elevational view of the straw of FIG. 1, the left side elevational view being a mirror image thereof;

(56) **References Cited**

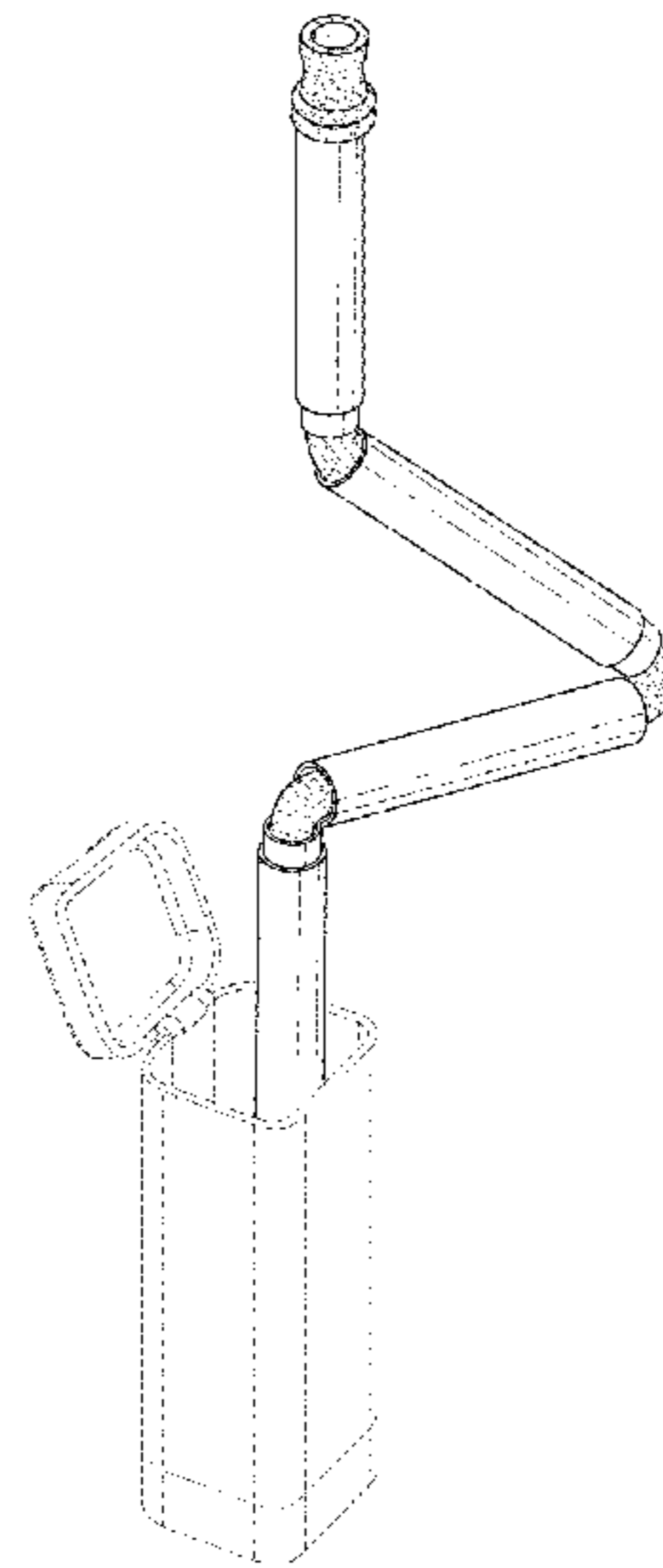
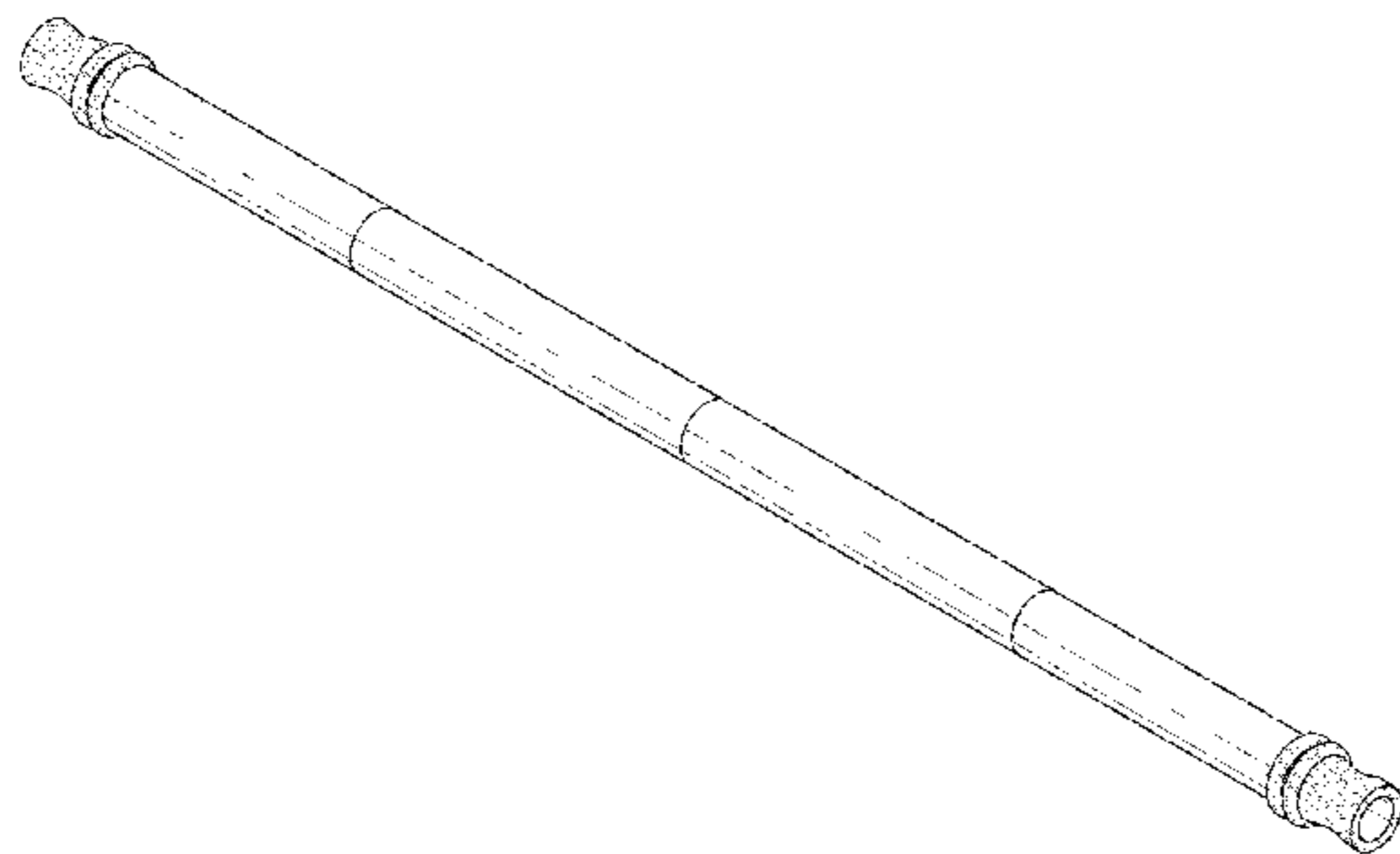
U.S. PATENT DOCUMENTS

942,306 A 12/1909 Clark
2,815,981 A * 12/1957 Nonnamaker A47G 21/18 215/388
3,025,004 A 3/1962 Levi
3,615,595 A * 10/1971 Gutttag A47G 21/183 426/85
3,776,458 A 12/1973 Chunga, Sr.

FIG. 3 is a cross sectional view along lines 3-3 of FIG. 4; FIG. 4 is a front end elevational view of the straw of FIG. 1; FIG. 5 is a rear end elevational view of the straw of FIG. 1; and,

FIG. 6 is a top, front, right side perspective view of the straw of FIG. 1 partially folded with a storage case in broken lines. The broken lines in FIG. 6 depict environmental subject matter that forms no part of the claimed design.

1 Claim, 3 Drawing Sheets



(56)

References Cited

U.S. PATENT DOCUMENTS

4,109,817 A * 8/1978 Payne B65D 77/283
220/706

4,340,175 A 7/1982 Danek

4,850,533 A * 7/1989 Hoshi A47G 21/189
239/33

4,930,652 A * 6/1990 Murphy B65D 77/283
215/388

5,094,861 A * 3/1992 D'Auguste A23P 10/10
426/112

5,172,827 A 12/1992 Chang

5,201,460 A * 4/1993 Caines A47G 21/18
215/388

5,482,202 A 1/1996 Wen

D371,269 S 7/1996 Shattuck

5,727,734 A 3/1998 Su

D408,886 S 4/1999 Matyushin

6,283,294 B1 * 9/2001 Thorball A23L 2/52
206/438

6,676,032 B2 * 1/2004 Banach A47G 21/18
239/24

D487,375 S 3/2004 Bengtsson

D575,570 S 8/2008 Antonelli

D602,726 S 10/2009 Baron

D614,346 S * 4/2010 Lik D27/101

7,753,284 B1 * 7/2010 Raitses A47G 21/18
239/16

7,823,802 B1 11/2010 Roche et al.

D674,649 S 1/2013 Ludwig

8,459,484 B2 6/2013 Ravelo

8,579,148 B2 11/2013 Slansky

D719,388 S 12/2014 Ecseri

D726,477 S 4/2015 Buck

D728,154 S * 4/2015 Lavanchy D27/100

D749,884 S 2/2016 Martins

D755,440 S * 5/2016 Collen D27/163

D757,476 S 5/2016 O'Neill

D762,408 S 8/2016 Palazzi

D772,632 S 11/2016 Buck

D778,492 S * 2/2017 Liu D27/101

D798,095 S 9/2017 Palazzi

D808,580 S * 1/2018 Kwitel D27/101

D812,807 S * 3/2018 Thuery D27/101

D813,445 S * 3/2018 Scott D27/101

D815,479 S 4/2018 Scardino

D819,264 S * 5/2018 Mykhaylovych D27/101

D825,837 S * 8/2018 Abroff D27/101

D825,838 S * 8/2018 Abroff D27/101

D827,920 S * 9/2018 Fomarelli D27/101

D828,623 S * 9/2018 Fomarelli D27/194

D831,397 S 10/2018 Diorio

10,092,713 B2 * 10/2018 Terry A24F 47/008

10,123,641 B1 11/2018 Pepper

10,136,672 B2 * 11/2018 Minskoff A24F 47/008

10,159,278 B2 * 12/2018 Minskoff A24F 47/008

10,159,369 B2 12/2018 MacDonald

D841,231 S * 2/2019 Hawes D27/170

D844,221 S * 3/2019 Tucker D27/101

D846,327 S * 4/2019 Peterson A47G 21/183
D7/300.2

D847,568 S * 5/2019 Hartnett D7/505

2002/0030115 A1 3/2002 Float et al.

2002/0088870 A1 7/2002 Banach

2006/0060556 A1 3/2006 Lee

2006/0254604 A1 * 11/2006 Martinez Fernandez
A24F 47/002
131/273

2008/0169356 A1 7/2008 Trejo

2009/0283608 A1 11/2009 Crawley

2011/0057050 A1 3/2011 Shakur-Jenkins

2012/0138622 A1 6/2012 Slansky

2013/0270357 A1 10/2013 Anderson

2014/0231535 A1 8/2014 Alotaibi

2014/0339325 A1 11/2014 Williams

2014/0339819 A1 11/2014 Baker

2015/0190004 A1 7/2015 Chang

2015/0313390 A1 11/2015 Russo

2016/0051071 A1 * 2/2016 Buck A47G 21/187
239/33

2016/0338406 A1 * 11/2016 Liu A24F 47/008

2017/0013880 A1 * 1/2017 O'Brien A24F 47/008

2017/0150754 A1 * 6/2017 Lin A24F 47/00

2018/0235390 A1 8/2018 Lehmann

2019/0059624 A1 * 2/2019 Kazmierczak, III
A47G 21/185

2019/0069701 A1 * 3/2019 O'Neill B31F 1/205

2019/0082815 A1 * 3/2019 Chen A45F 3/20

2019/0099025 A1 * 4/2019 Rieger A47G 21/182

FOREIGN PATENT DOCUMENTS

KR 20090108259 10/2009

KR 20100128648 12/2010

OTHER PUBLICATIONS

Amazon.com, Collapsible straw Divine Domicile, Publication date Mar. 2019, [site visited Mar. 6, 2019], Available on the Internet URL https://www.amazon.com/collapsible-straw-Divine-Domicile-stainless/dp/B07R1Y8JD2/ref=sr_1_fkmmull_1?keywords=straw%2Bdivine%2Bdomicile&qid=1557249520&s=gat (Year: 2019).*

FinalStraw.com, FinalStraw, Earliest publication date Aug. 2018 from Internet Archive, [site visited May 7, 2019], Available on the Internet URL <https://web.archive.org/web/20180803173948/https://finalstraw.com/> (Year: 2019).*

Alibaba.com, Everich collapsible stainless steel straw, Publication date unknown, [site visited May 7, 2019], Available on the Internet URL https://www.alibaba.com/product-detail/collapsible-stainless-steel-304-silicone-straw_62016062697.html?spm=a2700.galleryofferlist.normalList.124.6e7cf7eawdAolW (Year: 2019).*

U.S. Appl. No. 16/186,560, filed Nov. 2018, Pepper, Miles.

U.S. Appl. No. 29/665,794, filed Oct. 2018, Pepper, Miles.

U.S. Appl. No. 29/664,367, filed Sep. 2018, Pepper, Miles.

U.S. Appl. No. 29/661,212, filed Aug. 2018, Pepper, Miles.

U.S. Appl. No. 29/654,245, filed Jun. 2018, Pepper, Miles.

U.S. Appl. No. 29/648,754, filed May 2018, Pepper, Miles.

* cited by examiner

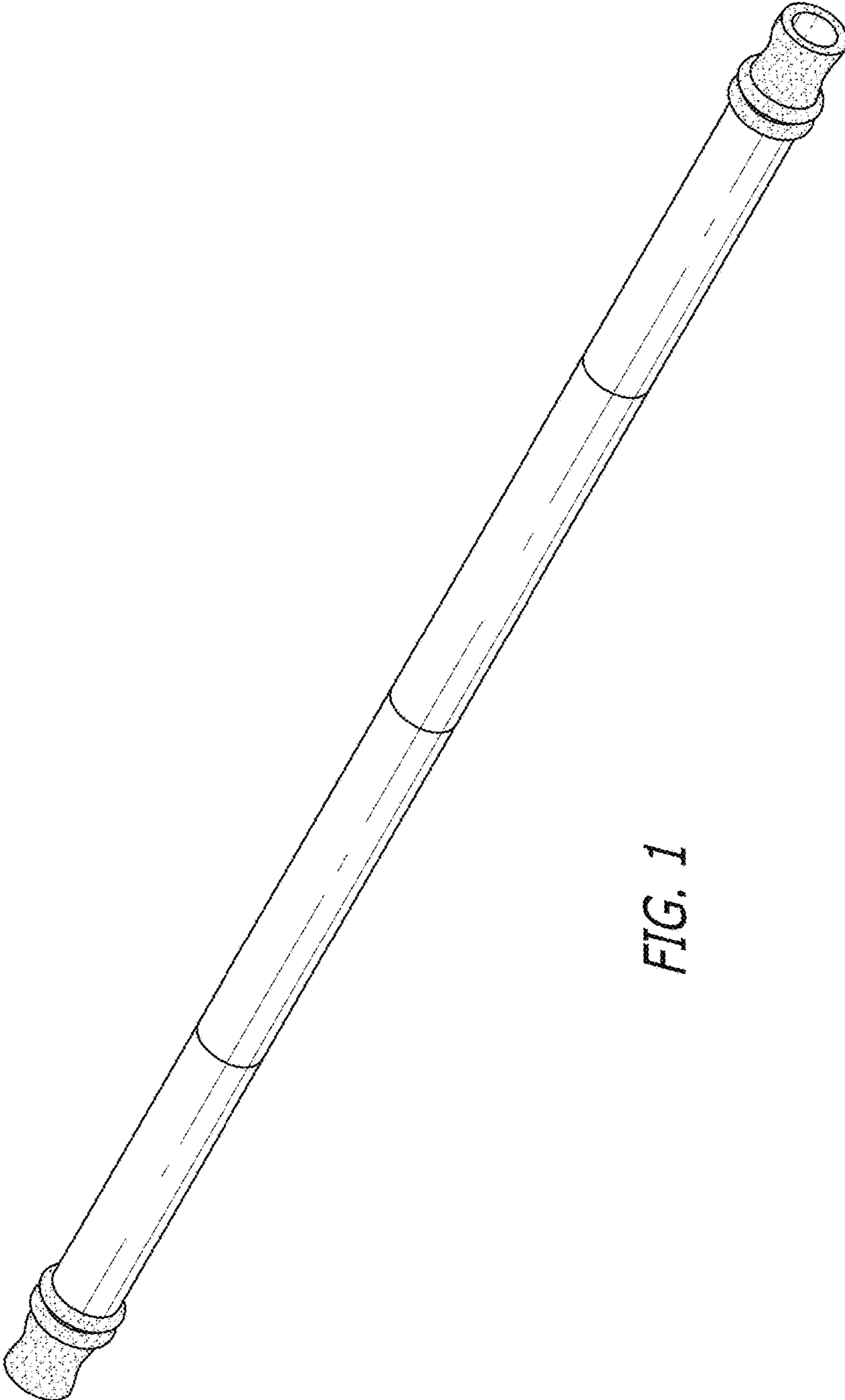


FIG. 1

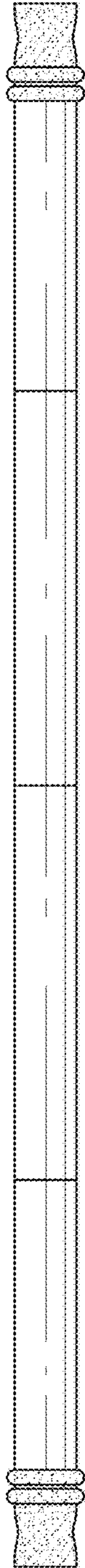


FIG. 2

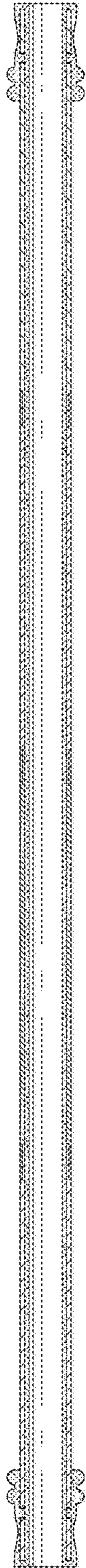


FIG. 3

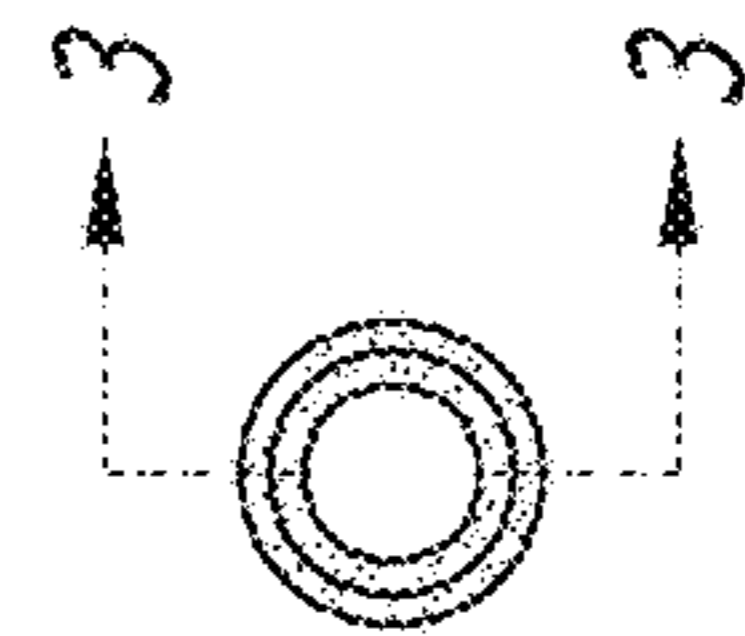


FIG. 4

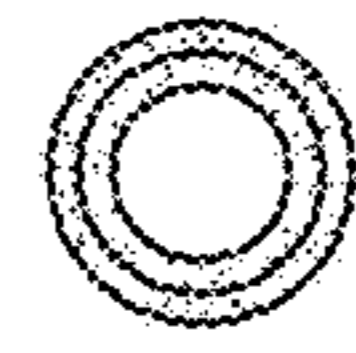


FIG. 5

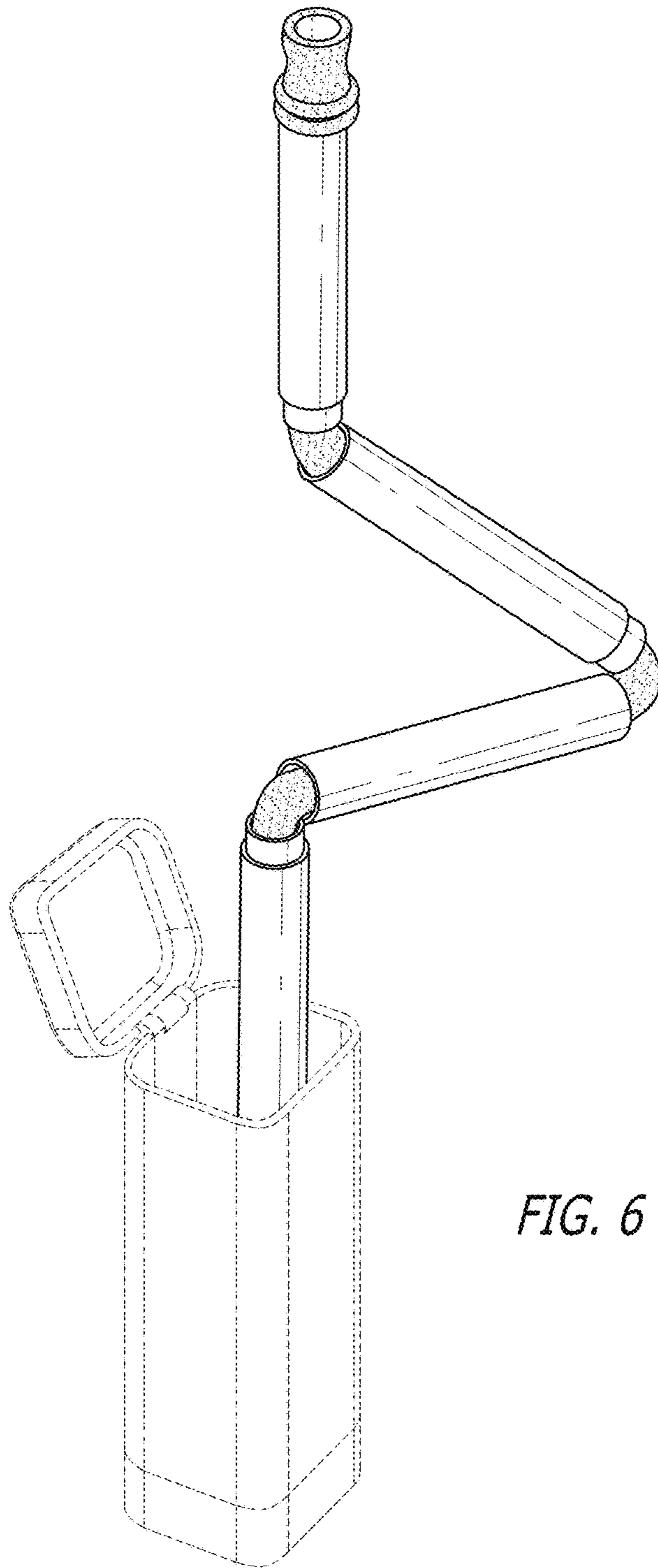


FIG. 6