



US00D866234S

(12) **United States Design Patent** (10) **Patent No.:** **US D866,234 S**
Christiansen (45) **Date of Patent:** **** Nov. 12, 2019**

(54) **BED FRAME**

(71) Applicant: **Tuft & Needle, LLC**, Phoenix, AZ
(US)

(72) Inventor: **Levi Matthew Christiansen**, Phoenix,
AZ (US)

(73) Assignee: **TUFT & NEEDLE, LLC**, Phoenix, AZ
(US)

(**) Term: **15 Years**

(21) Appl. No.: **29/680,995**

(22) Filed: **Feb. 21, 2019**

Related U.S. Application Data

(62) Division of application No. 29/615,899, filed on Aug.
31, 2017, now Pat. No. Des. 848,176.

(51) **LOC (12) Cl.** **06-06**

(52) **U.S. Cl.**
USPC **D6/718; D6/709; D6/710**

(58) **Field of Classification Search**
USPC D6/382–384, 392–395, 718, 718.13, 709,
D6/710

CPC A47C 19/00; A47C 19/005; A47C 19/021;
A47C 19/022; A47C 19/024; A47C
19/04; A47C 19/122

See application file for complete search history.

(56) **References Cited**

U.S. PATENT DOCUMENTS

D162,538 S * 3/1951 Herrmann D6/668.2
D165,074 S 11/1951 Herrmann
D178,851 S 9/1956 Van Koert
3,259,921 A * 7/1966 Alsobrook, Jr. A47C 19/045
5/181

D406,200 S * 3/1999 Lintvedt D6/393
D413,455 S * 9/1999 Lacroix D6/393
D451,696 S 12/2001 Boerner et al.
D466,716 S * 12/2002 Tobin, Jr. D6/393
D511,638 S * 11/2005 Mohundro D6/718.13
D526,140 S * 8/2006 Cook D6/393
D543,051 S * 5/2007 Kingsley D6/393
D562,024 S * 2/2008 Bellini D6/393
D564,779 S 3/2008 Novak
D575,076 S 8/2008 Bacon et al.
D608,560 S 1/2010 Chen
D812,393 S 3/2018 Karschnik et al.
D845,022 S * 4/2019 Birch D6/393
D848,176 S * 5/2019 Christiansen D6/393

* cited by examiner

Primary Examiner — Cathron C Brooks

(74) *Attorney, Agent, or Firm* — Arent Fox LLP

(57) **CLAIM**

The ornamental design for a bed frame, as shown and
described.

DESCRIPTION

FIG. 1 is a top front left perspective view of a bed frame
showing my new design;

FIG. 2 is a front view of the design shown of FIG. 1;

FIG. 3 is a back view of the design shown of FIG. 1;

FIG. 4 is a left side view of the design shown of FIG. 1;

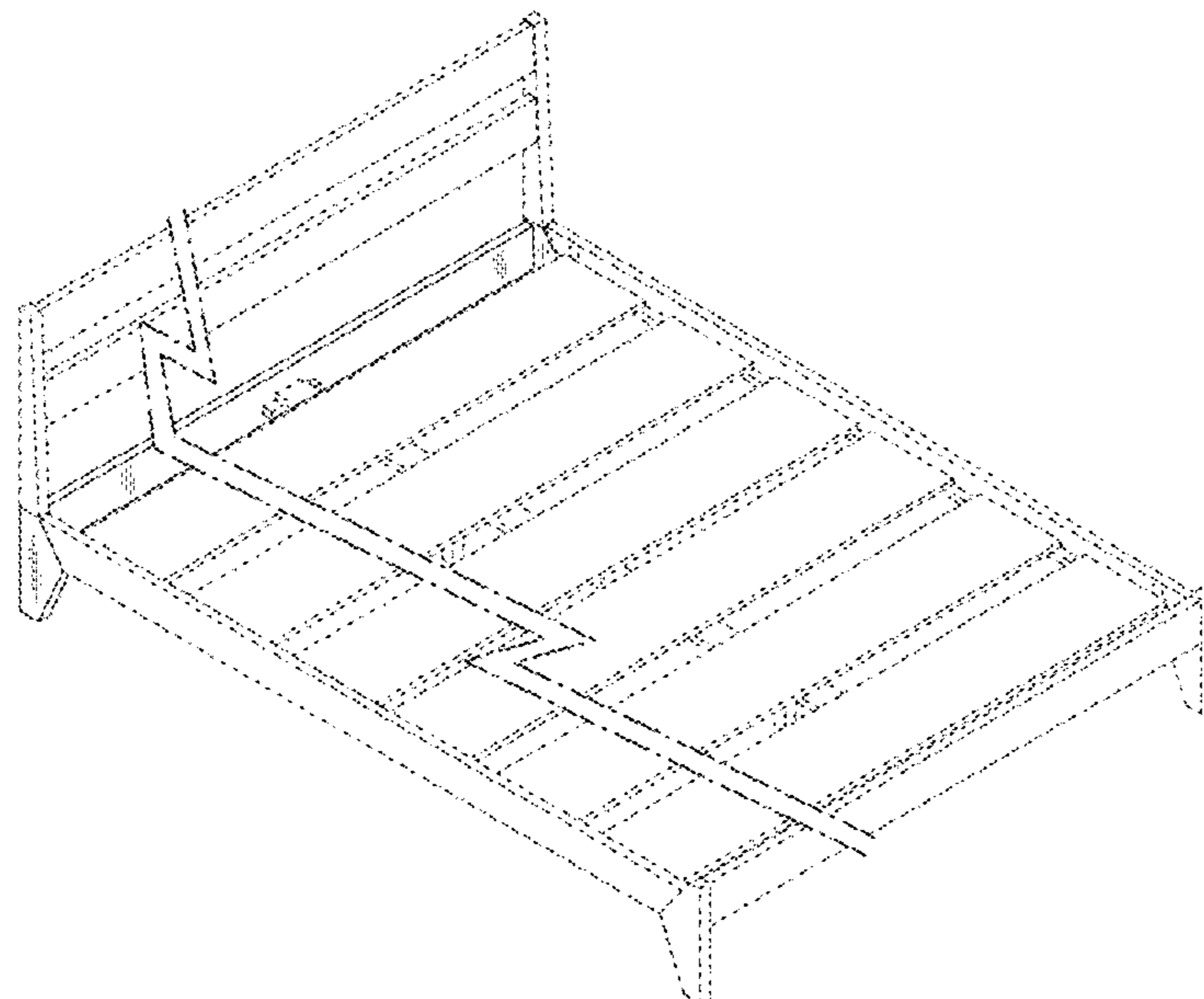
FIG. 5 is a right side view of the design shown of FIG. 1;

FIG. 6 is a top view of the design shown of FIG. 1; and,

FIG. 7 is a bottom view of the design shown of FIG. 1.

The break lines shown in the middle portion of the bed frame
in the Figures indicate that the appearance of any portion of
the article between the break lines forms no part of the
claimed design. The broken lines in the Figures illustrate
portions of the bed frame that form no part of the claimed
design.

1 Claim, 7 Drawing Sheets



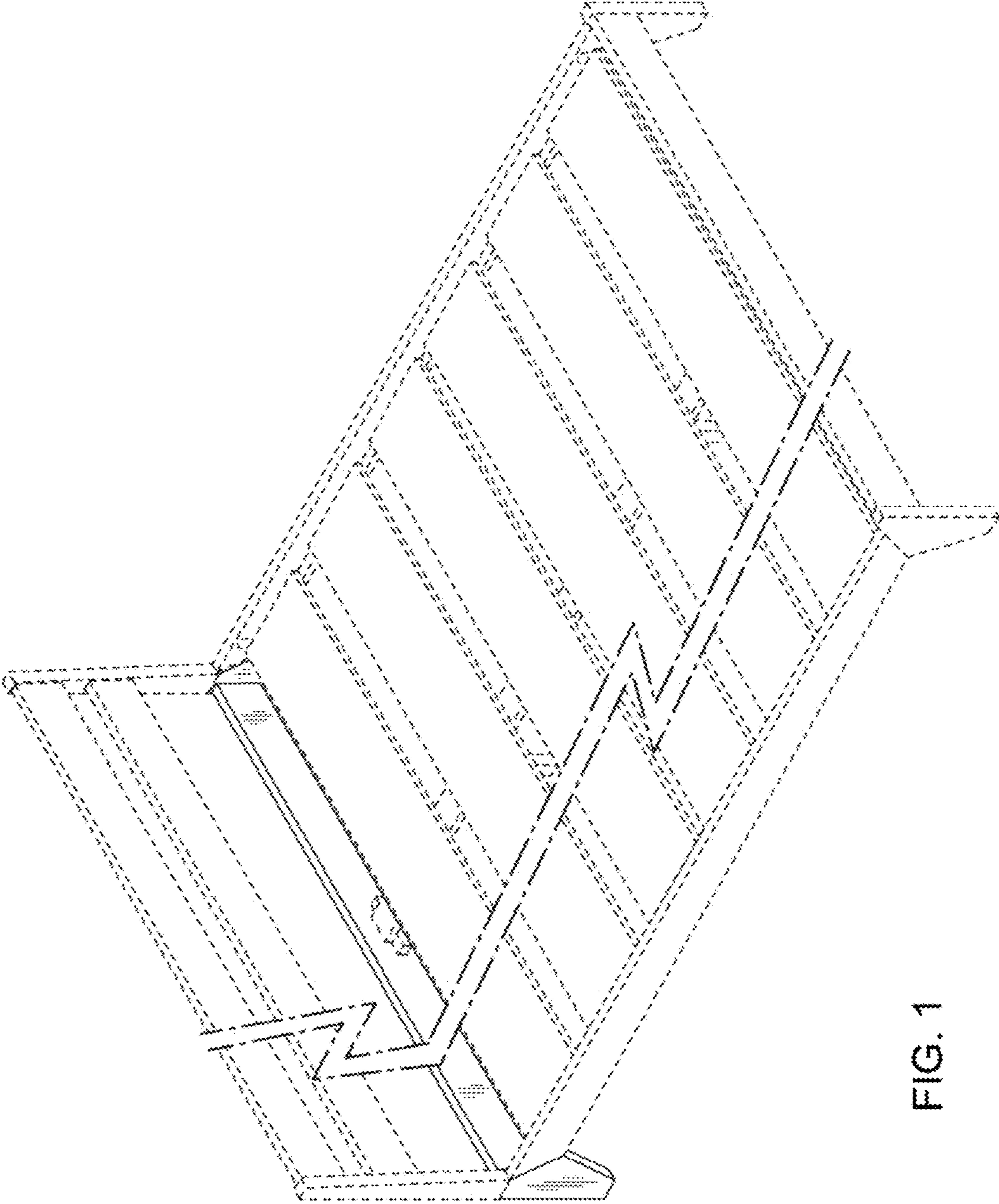


FIG. 1

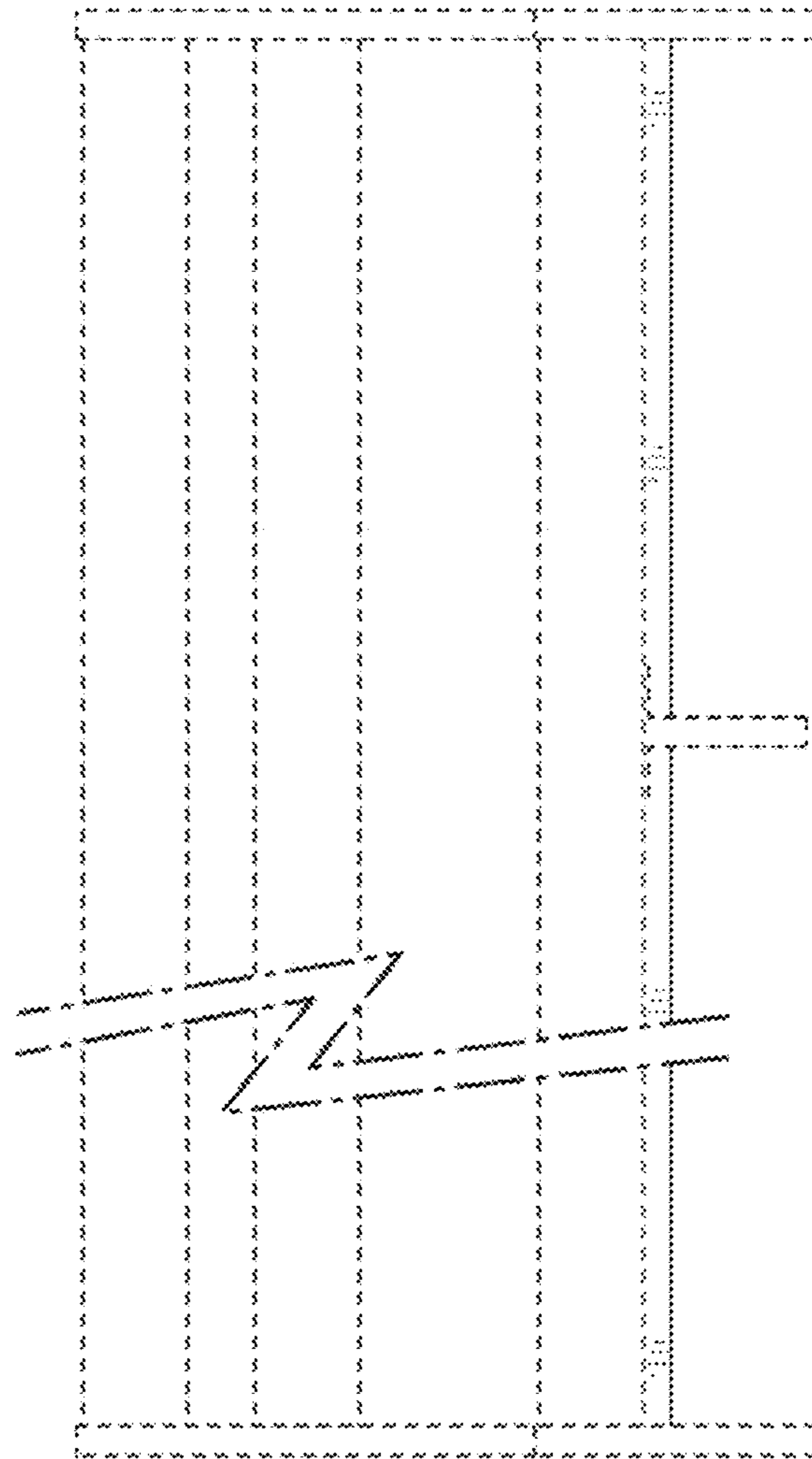


FIG. 2

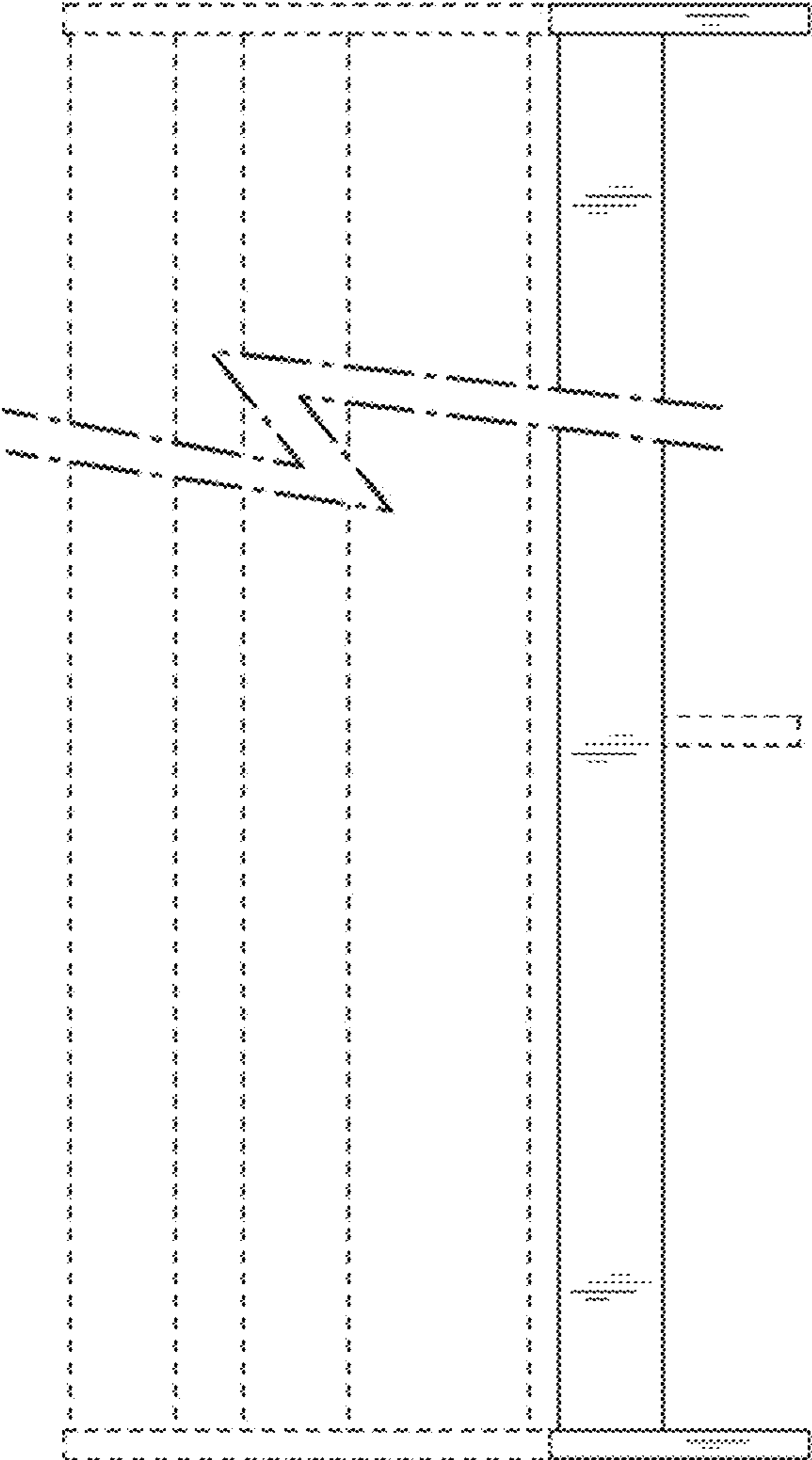


FIG. 3

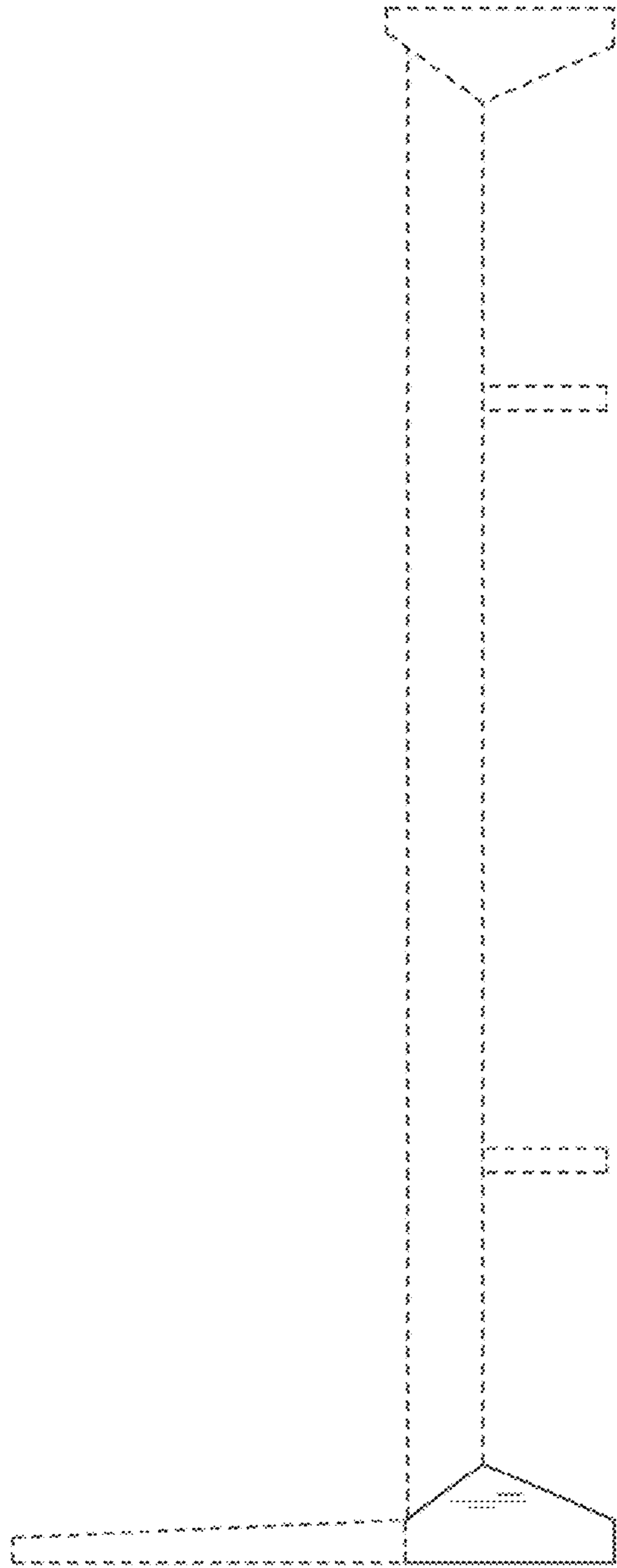


FIG. 4

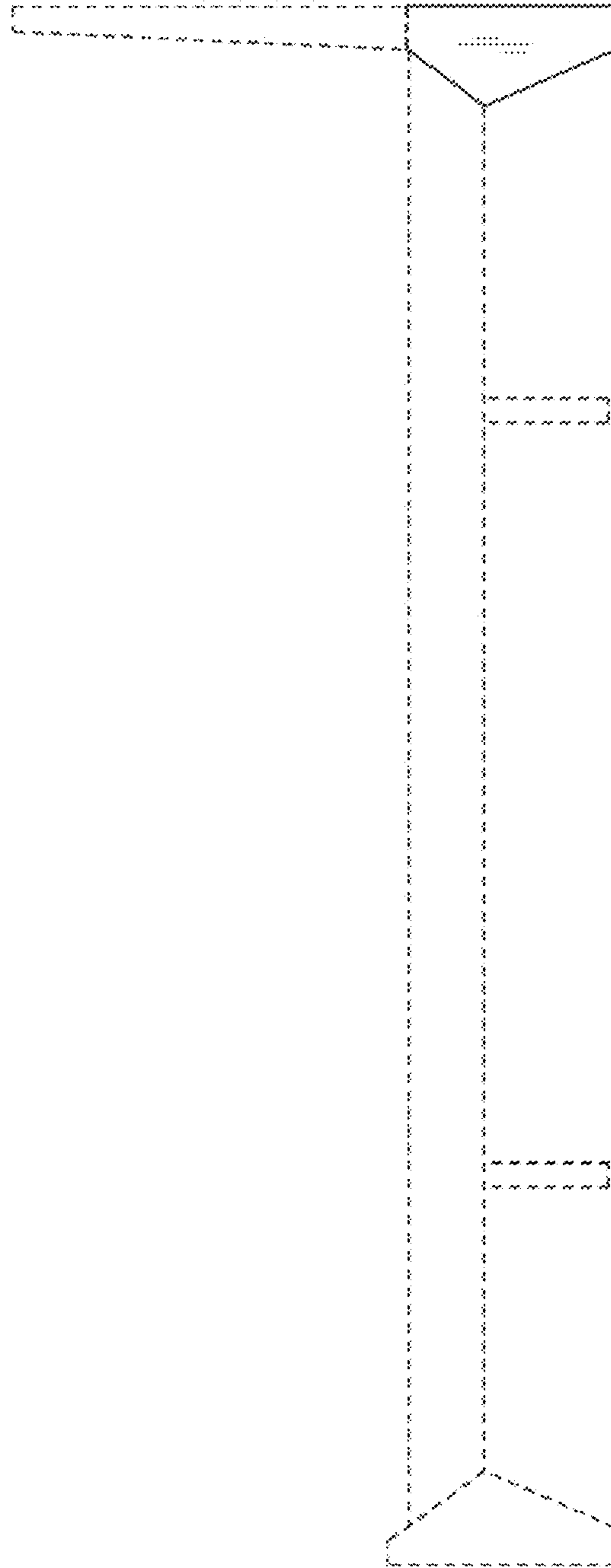


FIG. 5

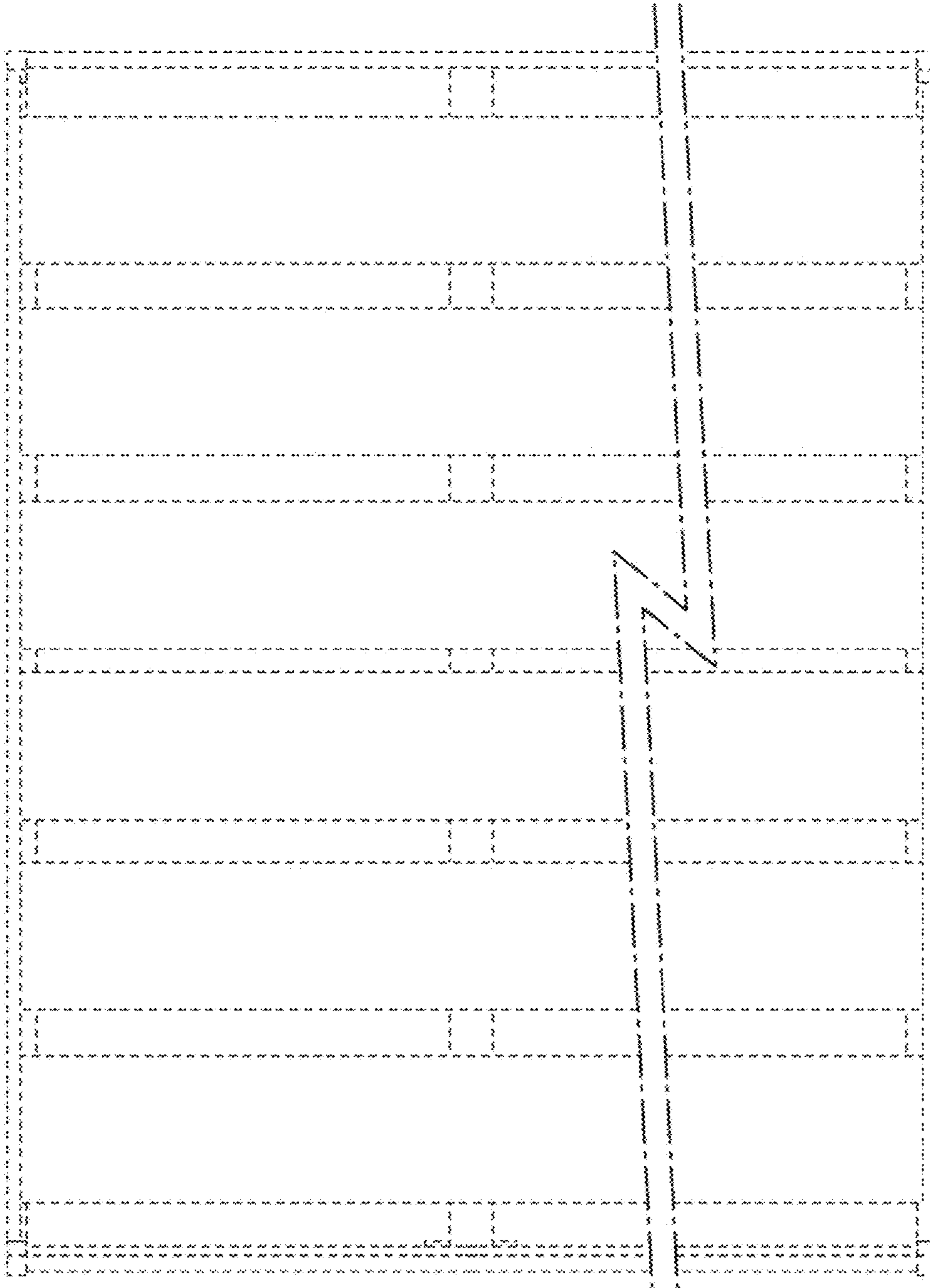


FIG. 6

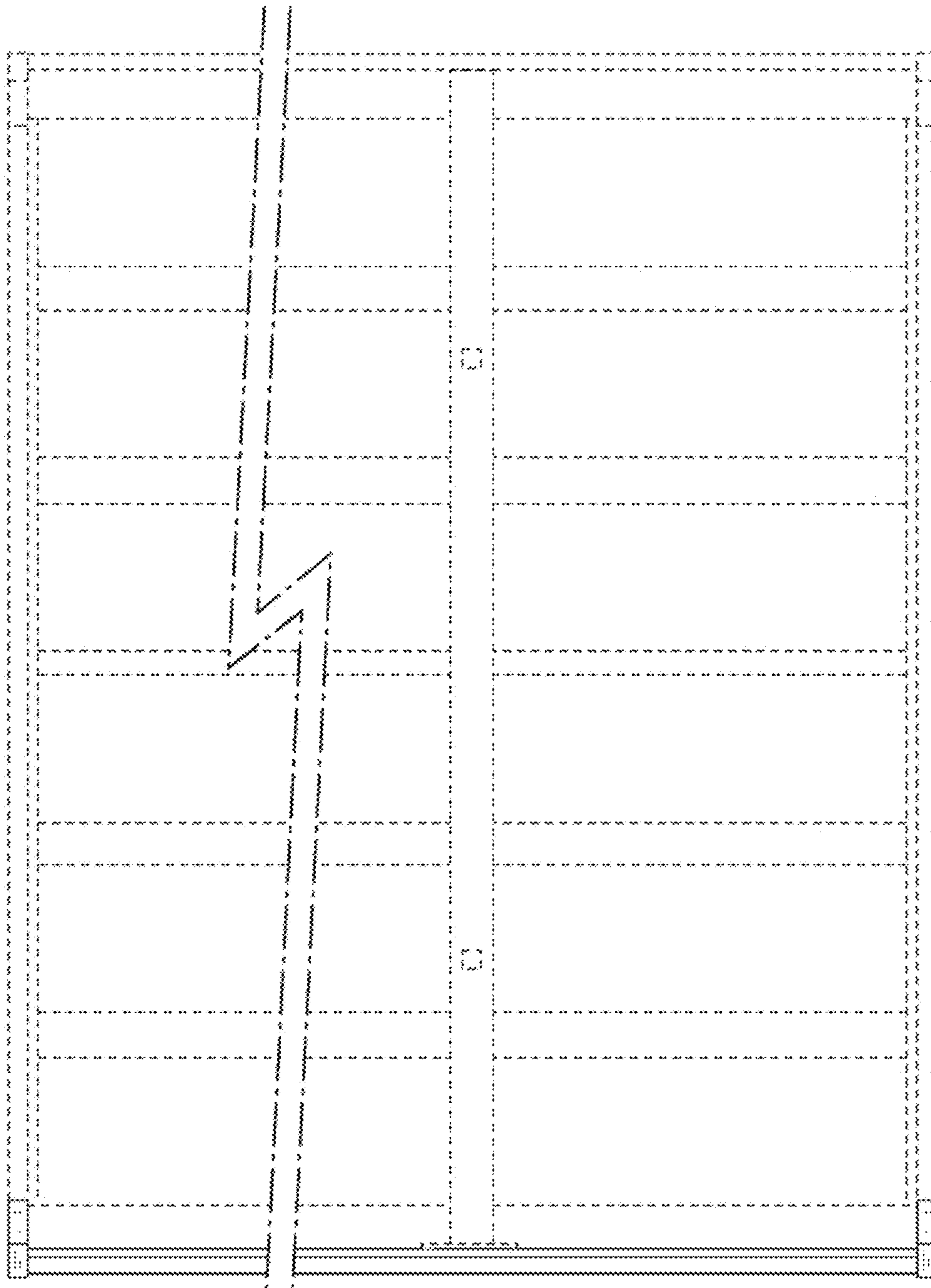


FIG. 7