



US00D866233S

(12) **United States Design Patent**  
**Labowitz et al.**

(10) **Patent No.:** **US D866,233 S**  
(45) **Date of Patent:** **\*\* Nov. 12, 2019**

- (54) **CHAIR CAPE ASSEMBLY**
- (71) Applicant: **Entertainment Earth, Inc.**, Simi Valley, CA (US)
- (72) Inventors: **Jason Alec Labowitz**, Simi Valley, CA (US); **Griffin Ilagan Maghari**, Simi Valley, CA (US); **Jodie F. Winters**, Simi Valley, CA (US)
- (73) Assignee: **ENTERTAINMENT EARTH, INC.**, Simi Valley, CA (US)
- (\*\*) Term: **15 Years**
- (21) Appl. No.: **29/592,451**
- (22) Filed: **Jan. 30, 2017**

**Related U.S. Application Data**

- (63) Continuation of application No. 29/529,539, filed on Jun. 8, 2015, now Pat. No. Des. 777,496.
- (51) **LOC (12) Cl.** ..... **06-01**
- (52) **U.S. Cl.**  
USPC ..... **D6/716.4**
- (58) **Field of Classification Search**  
USPC ..... D6/334-336, 366, 371-373, 374, 379, D6/380, 716, 716.1, 716.2, 716.3, 716.4, D6/611; D2/826, 841; D12/416  
CPC ..... A47C 13/00; A47C 13/005; A47C 4/00; A47C 4/02; A47C 4/021; A47C 4/028; B62J 19/00; B62J 1/18; B62J 1/20; B62J 1/22; B62J 1/24; B62J 1/26  
See application file for complete search history.

**References Cited**

**U.S. PATENT DOCUMENTS**

- D327,781 S \* 7/1992 Citterio ..... D6/366
- D327,782 S \* 7/1992 Citterio ..... D6/366
- D327,988 S \* 7/1992 Citterio ..... D6/366
- D328,199 S \* 7/1992 Citterio ..... D6/366
- D363,401 S \* 10/1995 Wingerter ..... D6/716.4

- 6,447,067 B1 \* 9/2002 Williams ..... A47C 13/005  
297/184.11
  - D476,819 S \* 7/2003 Williams ..... D6/334
  - D680,762 S \* 4/2013 Nagata ..... D6/335
  - D706,555 S 6/2014 Lipfert et al.
- (Continued)

**OTHER PUBLICATIONS**

“Its Gonna Be a Heroic Summer: Target Teams Up with Warner Bros. Consumer Products for an Exclusive Justice League Collection” May 23, 2013 A Bullseye View, Target Corporation, <https://corporate.target.com/article/2013/05/target-warner-bros-justice-league-summer-exclusive>.

(Continued)

*Primary Examiner* — Mimososa De

(57) **CLAIM**

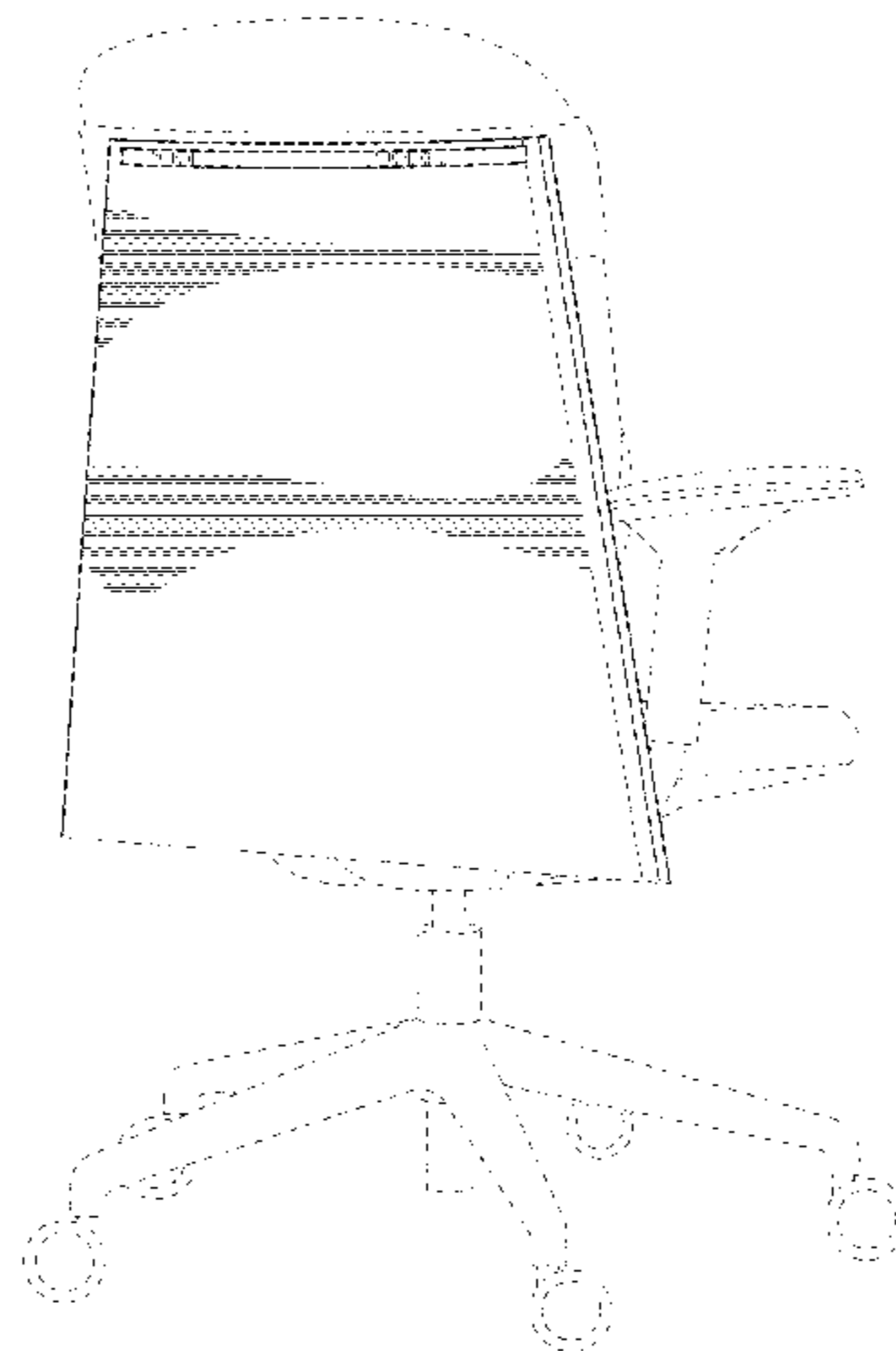
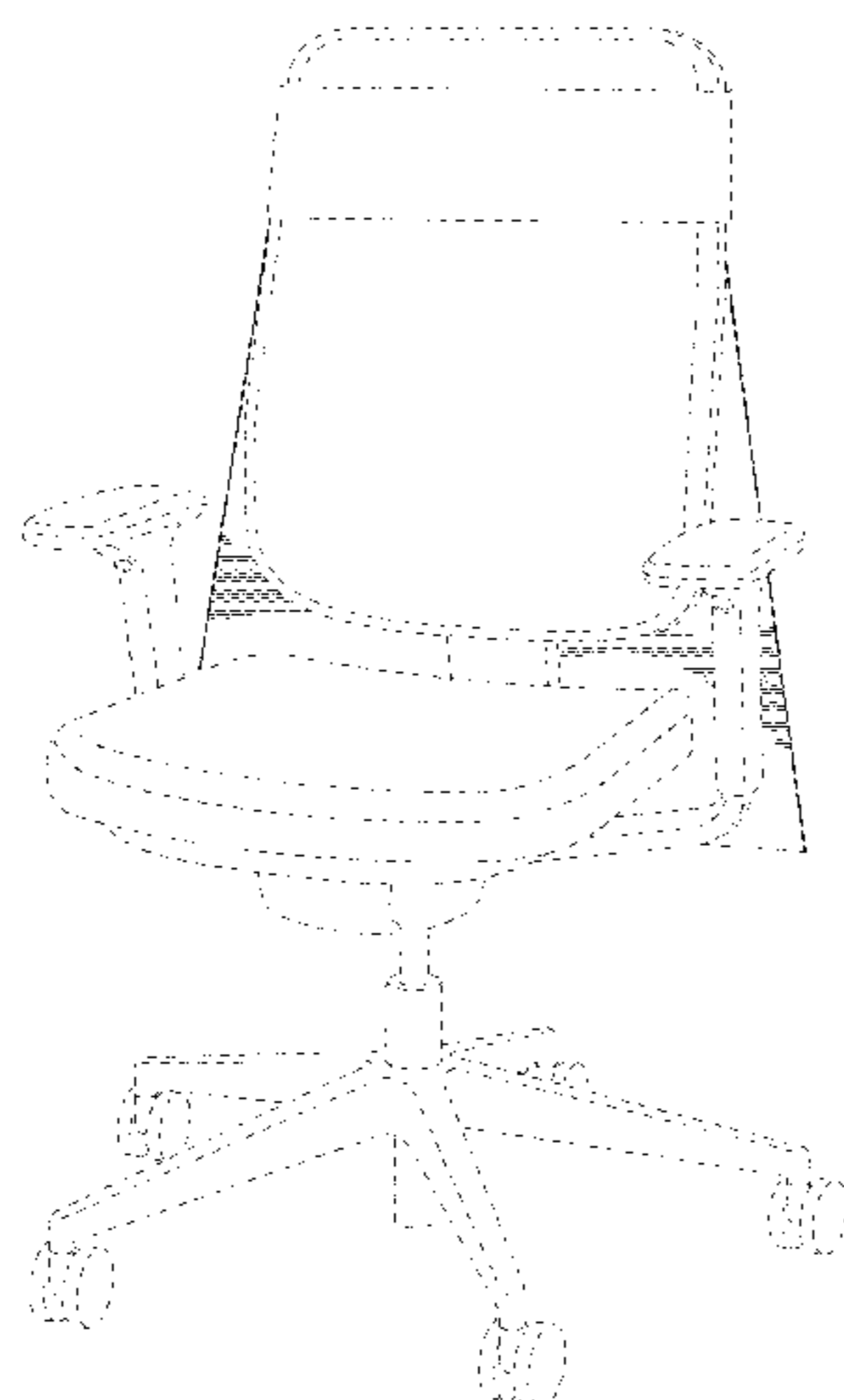
The ornamental design for a chair cape assembly, as shown and described herein.

**DESCRIPTION**

FIG. 1 is a front perspective view of one embodiment of a chair cape assembly showing our new design;  
 FIG. 2 is a rear perspective view of the chair cape assembly shown in FIG. 1;  
 FIG. 3 is a rear elevation view of the chair cape assembly shown in FIG. 1;  
 FIG. 4 is a front elevation view of the chair cape assembly shown in FIG. 1;  
 FIG. 5 is a right side elevation view of the chair cape assembly shown in FIG. 1;  
 FIG. 6 is a left side elevation view of the chair cape assembly shown in FIG. 1; and,  
 FIG. 7 is a top plan view of the chair cape assembly shown in FIG. 1.

The broken lines shown in FIGS. 1-7 depict environmental subject matter only and form no part of the claimed design in those embodiments.

**1 Claim, 7 Drawing Sheets**



(56)

**References Cited**

U.S. PATENT DOCUMENTS

D743,187 S 11/2015 Lipfert et al.  
D777,496 S \* 1/2017 Labowitz ..... D6/716.4

OTHER PUBLICATIONS

Chair Covers by bbj linen rental, available at <http://www.bbjlinen.com/Products/2/Chair-Covers> Copyright © 2016 BBJ Linen.

Chair Jacket from Linen Hero, available at: <http://www.linenhero.com/products/browse/chair-jacket/>.

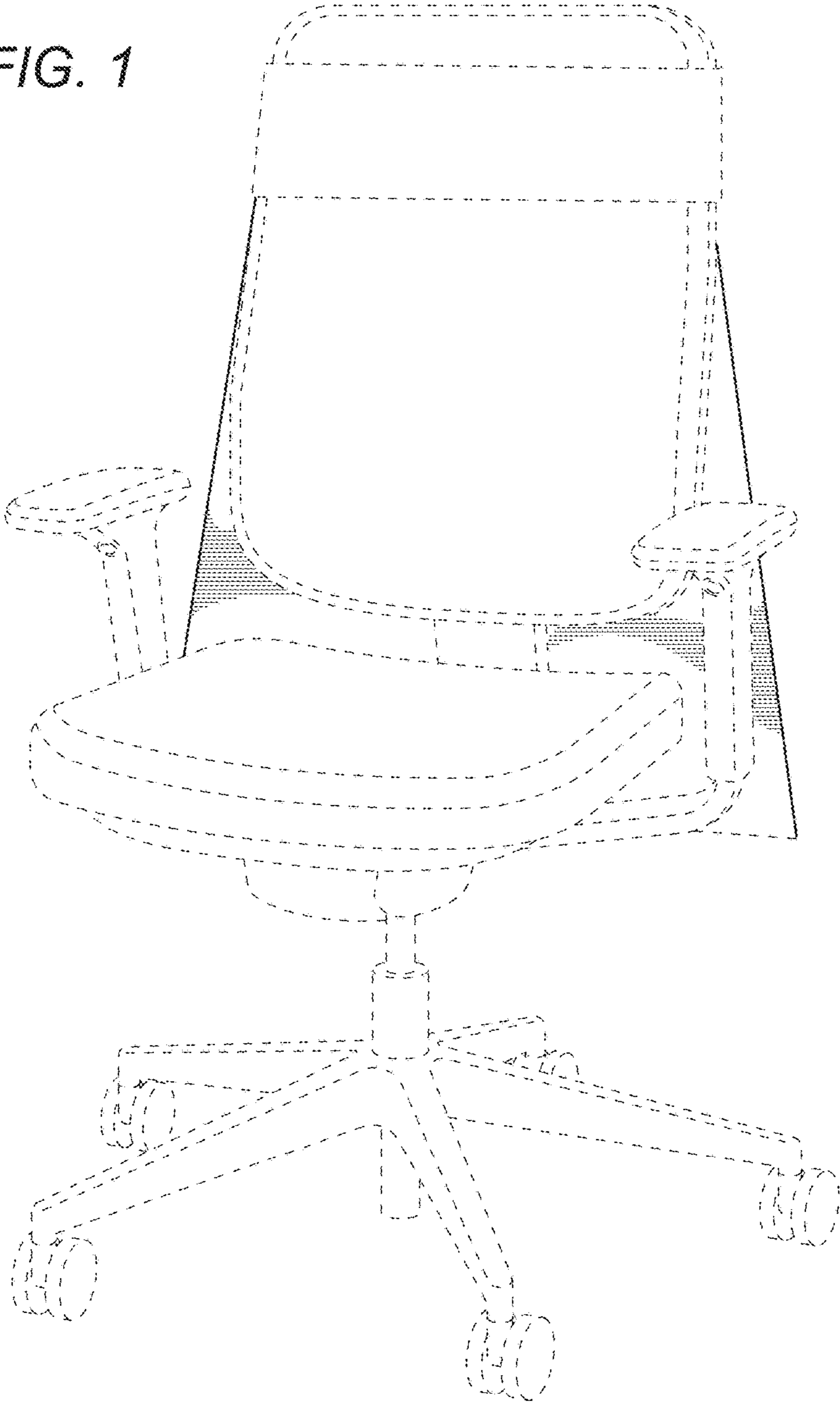
Chiavari Chair Covers, available at: <http://www.linentablecloth.com/chair-covers-and-sashes/chair-covers/chiavari-chair-covers.html>.

Tablecloths Factory, Diamond Buckle (for chair sash), available at: [http://fableclothsfactory.com/Diamond-Buckle-for-chair-sash-Red-Diamond-p/sash\\_pin\\_008.htm](http://fableclothsfactory.com/Diamond-Buckle-for-chair-sash-Red-Diamond-p/sash_pin_008.htm).

Wonder Woman Kid's Camp Chair from Target, available at: <https://corporate.target.com/press/releases/2013/05/target-and-warner-bros-consumer-products-team-up-t>.

\* cited by examiner

FIG. 1



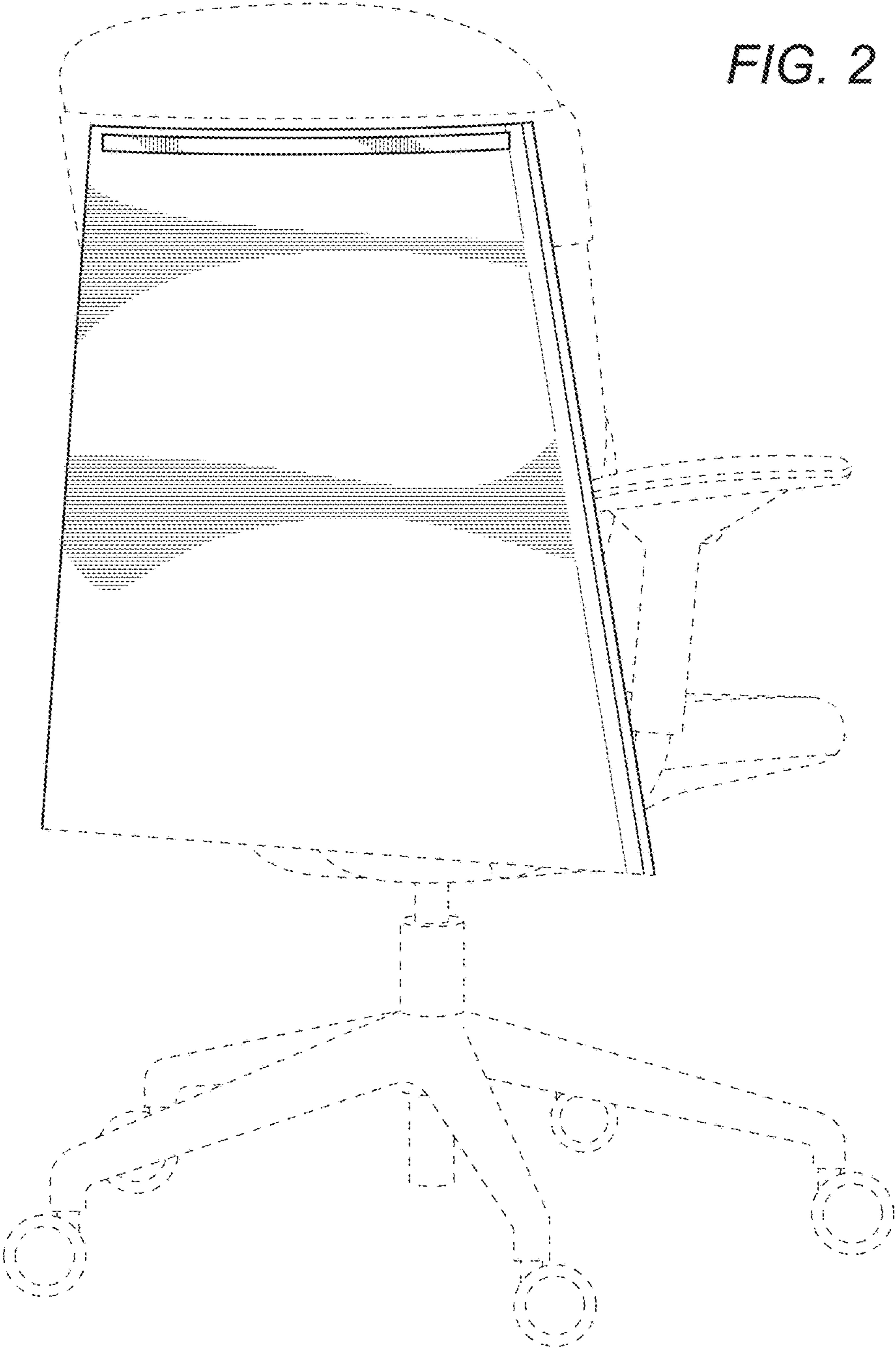
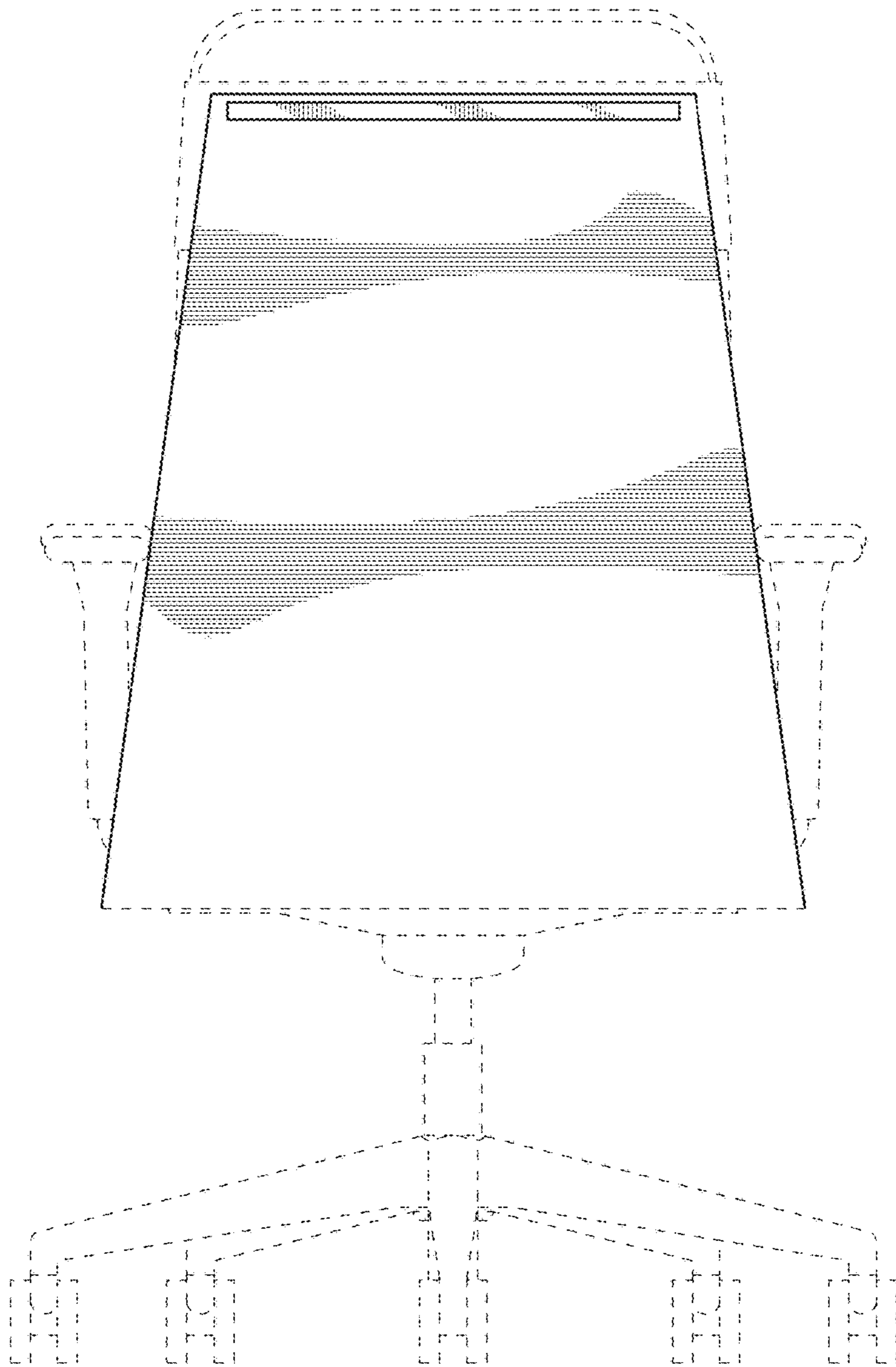


FIG. 3



*FIG. 4*

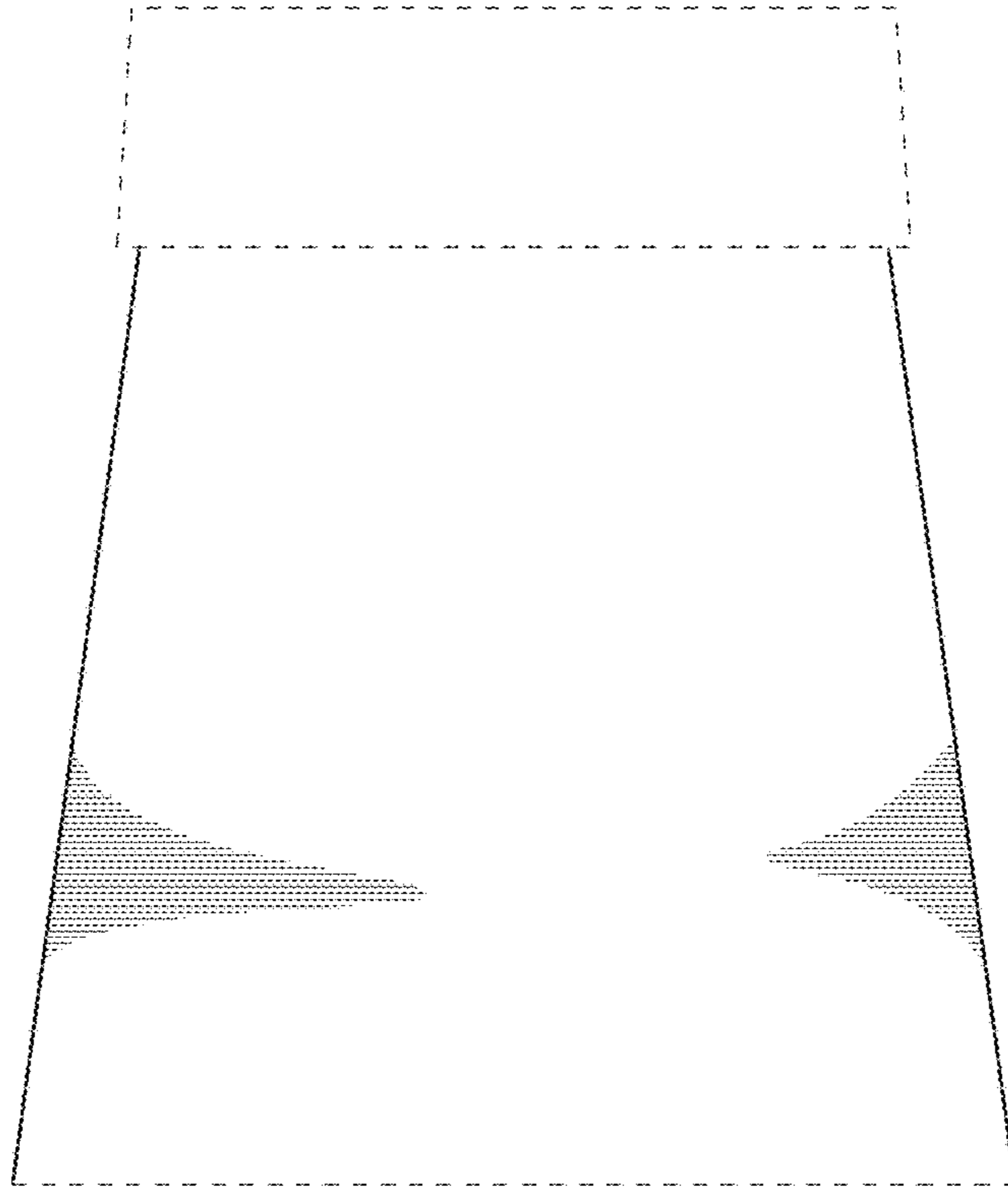




FIG. 5

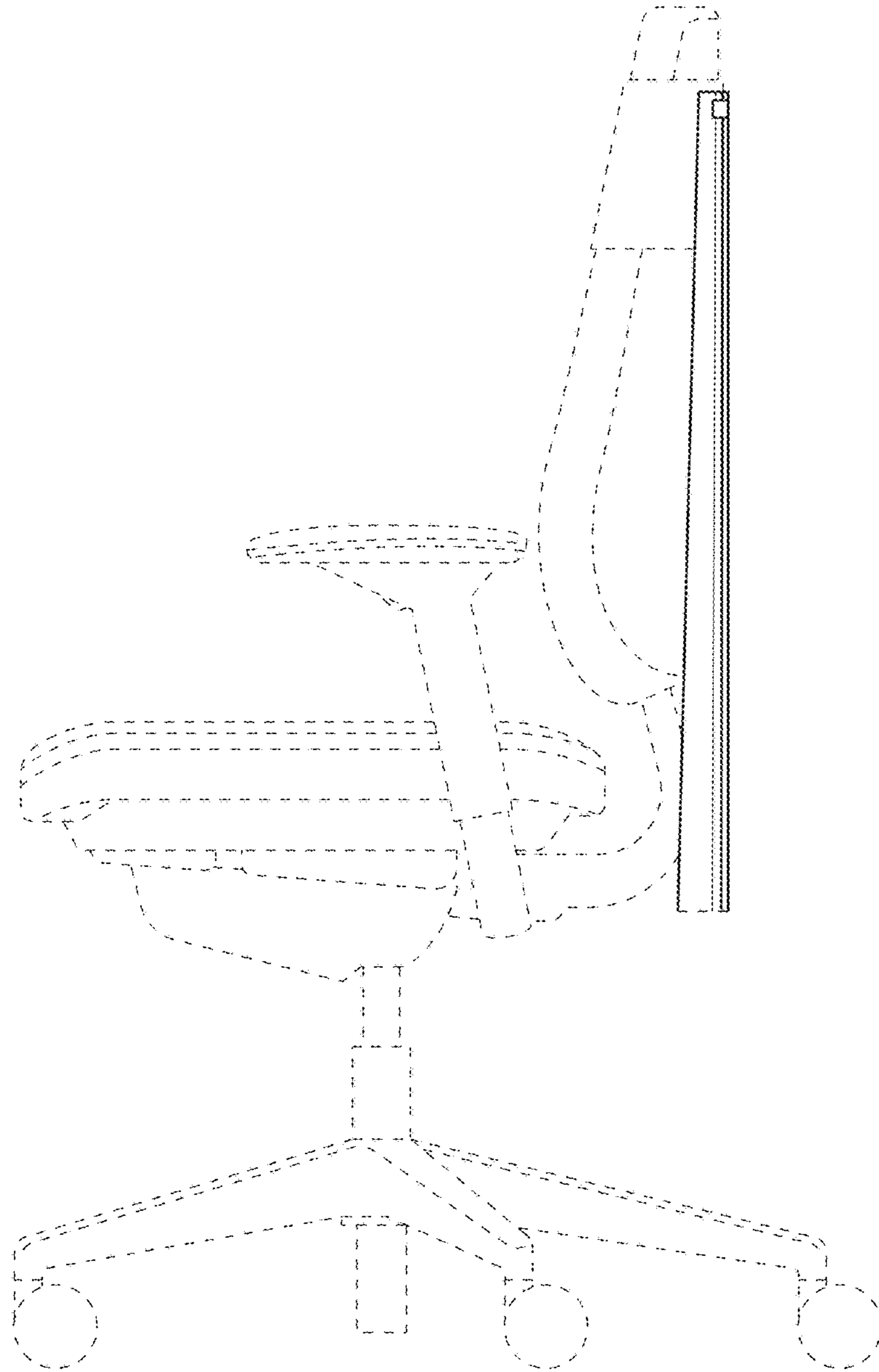


FIG. 6

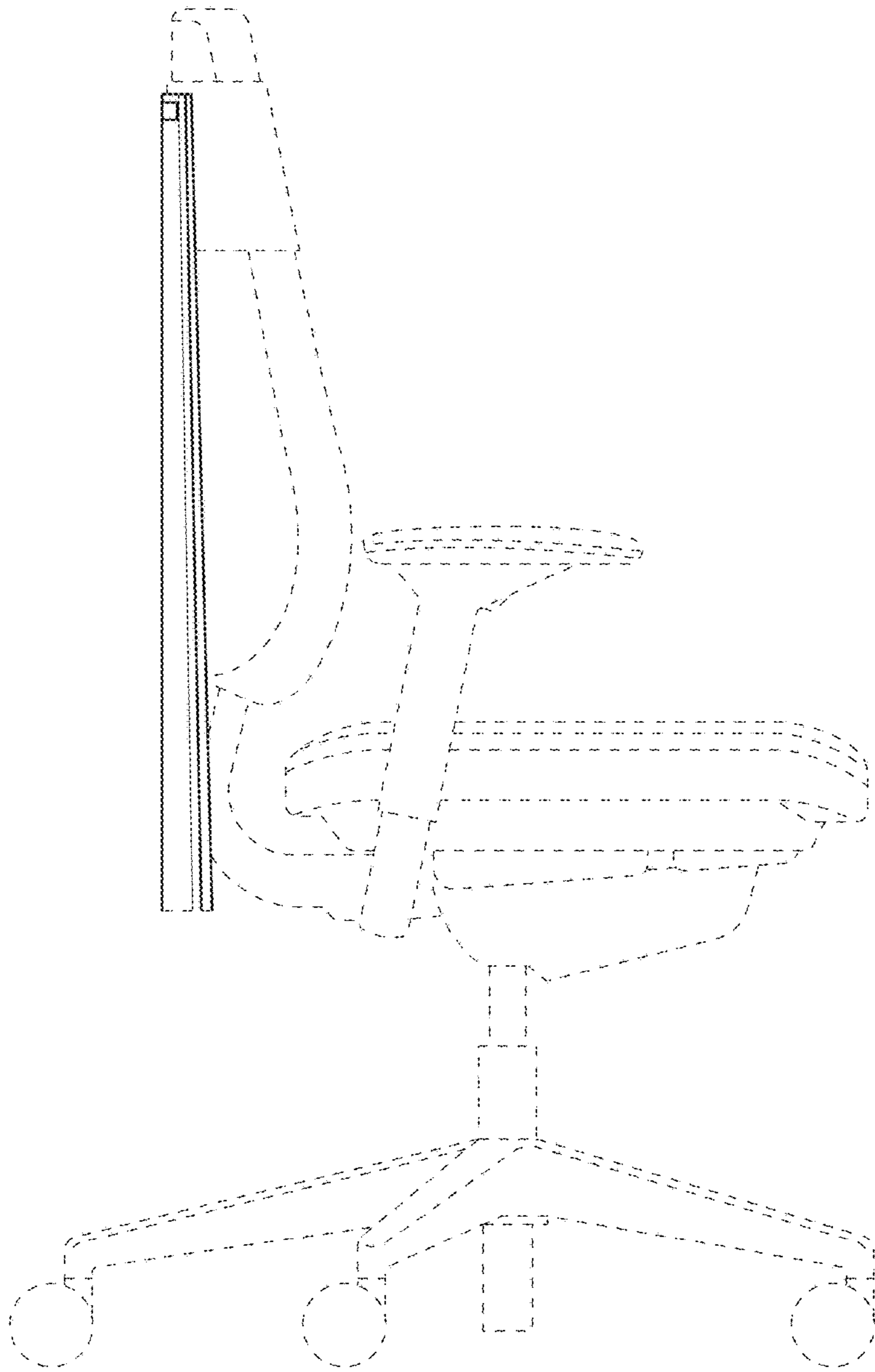




FIG. 7

