

US00D866232S

(12) **United States Design Patent** (10) **Patent No.:** **US D866,232 S**
Davis et al. (45) **Date of Patent:** **** Nov. 12, 2019**

(54) **TABLE**
(71) Applicant: **WALKER EDISON FURNITURE COMPANY, LLC**, Salt Lake City, UT (US)

(72) Inventors: **Matthew Davis**, Murray, UT (US);
Brad Bonham, Draper, UT (US);
Richard Packer, Kaysville, UT (US)

(73) Assignee: **WALKER EDISON FURNITURE COMPANY LLC**, Salt Lake City, UT (US)

(**) Term: **15 Years**

(21) Appl. No.: **29/634,915**

(22) Filed: **Jan. 25, 2018**

(51) **LOC (12) Cl.** **06-03**

(52) **U.S. Cl.**
USPC **D6/691.6**

(58) **Field of Classification Search**
USPC ... D6/349, 641, 642, 656, 656.13, 685, 686,
D6/691, 691.1-691.9
CPC A47B 7/00; A47B 13/00; A47B 13/02;
A47B 13/04; A47B 13/06; A47B 13/08;
A47B 13/12; A47B 17/00; A47B 21/00;
A47B 2200/0001; A47B 2200/0011;
A47B 2200/002

See application file for complete search history.

(56) **References Cited**

U.S. PATENT DOCUMENTS

606,845 A 7/1898 Simmons
D96,633 S 8/1935 Swanson
D104,153 S * 4/1937 Wilson D6/691.6
D194,573 S 2/1963 Ovendale
D220,443 S 4/1971 Beavers
D234,735 S 4/1975 Podell
D261,712 S 11/1981 Ferdinand
D281,555 S 12/1985 Levy

D288,880 S 3/1987 Favaretto
D293,181 S 12/1987 Solaro
D334,856 S 4/1993 Sielaff
D336,394 S 6/1993 Ball
D343,311 S 1/1994 Ball
5,483,901 A 1/1996 Tisbo
D367,379 S 2/1996 Nicholson
D443,440 S 6/2001 Deimen
D506,091 S 6/2005 Cioncada

(Continued)

FOREIGN PATENT DOCUMENTS

CA 179418 1/2018

OTHER PUBLICATIONS

48" Angle Iron Wood DiningTable Barnwood by Walker Edison Furniture Company—Amazon.com <https://www.amazon.com/W-Designs-Angle-Dining-Barnwood/dp/B0719416WK> retrieved from the internet on Sep. 8, 2019.*

(Continued)

Primary Examiner — Mary Ann Calabrese
(74) *Attorney, Agent, or Firm* — Workman Nydegger

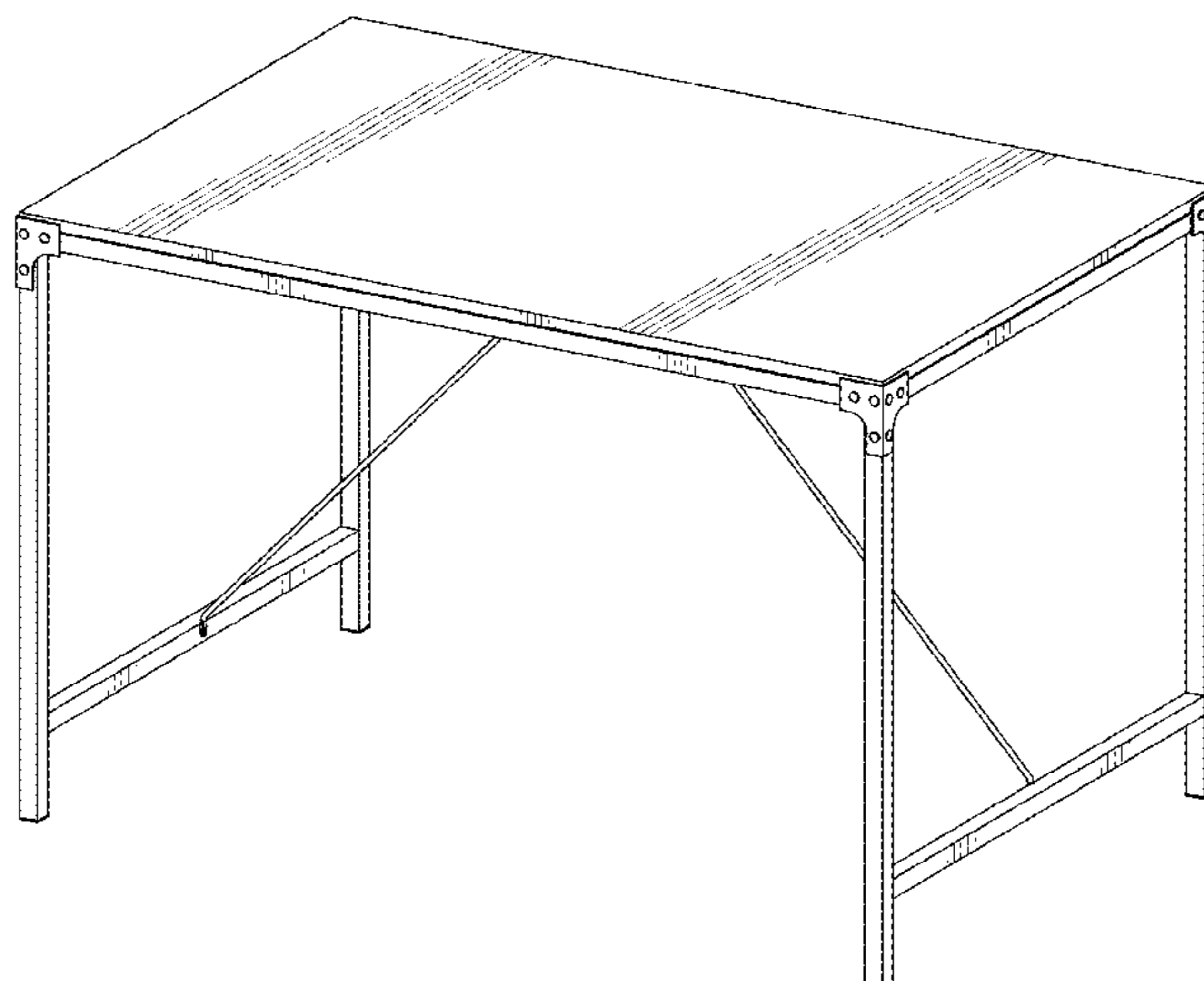
(57) **CLAIM**

The ornamental design for a table, as shown and described.

DESCRIPTION

FIG. 1 is a front perspective view of a table showing the new design;
FIG. 2 is a front elevation view thereof;
FIG. 3 is a back elevation view thereof;
FIG. 4 is a top plan view thereof;
FIG. 5 is a bottom plan view thereof;
FIG. 6 is a right elevation view thereof; and,
FIG. 7 is a left elevation view thereof.
The broken lines in the drawings illustrate portions of the table that form no part of the claimed design.

1 Claim, 4 Drawing Sheets



(56)

References Cited

U.S. PATENT DOCUMENTS

D510,492 S 10/2005 Sakurai
D530,548 S 10/2006 McCurry
D552,885 S 10/2007 Saotome
D588,380 S 3/2009 Bucholz
D608,568 S 1/2010 Manz
7,640,869 B2 1/2010 Leng
D614,889 S 5/2010 Van Duysen
D618,936 S 7/2010 Xu
D624,336 S * 9/2010 Schultz D6/691.8
D626,767 S 11/2010 Lucci
D640,075 S 6/2011 Petrick
D655,951 S 3/2012 McCurry
D669,709 S 10/2012 Nakamura
D671,339 S 11/2012 Nakamura
D676,689 S 2/2013 Matsushita
D688,075 S 8/2013 Lucci
D695,557 S 12/2013 Carretta
D703,465 S 4/2014 Weatherly
D775,877 S 1/2017 Lin
D782,855 S 4/2017 Scagnellato
D785,384 S 5/2017 Bettin

D808,207 S 1/2018 Davis
D829,013 S 9/2018 Velez
2010/0186640 A1 7/2010 Leng

OTHER PUBLICATIONS

U.S. Appl. No. 29/634,908, dated Mar. 15, 2019, Non-Final Office Action.
U.S. Appl. No. 29/634,908, dated Aug. 6, 2019, Notice of Allowance.
Madelyn Urban Blend Wood Dining Table, posted at Allmodern.com, posted on Apr. 29, 2017, site visited Mar. 8, 2019. online, available from internet: <https://www.allmodern.com/furniture/pdp/madelyn-urban-blend-wood-dining-table-lrfy7130.html?piid=20742762#2izwgxw61p-7> (Year: 2017).
bonVIVO Designer Coffee Table, posted at Amazon.com, posted on Feb. 15, 2017, site visited Mar. 8, 2019. online, available from internet: <https://www.amazon.com/bonVIVO-Designer-Coffee-Donatella-Natural/dp/B06VVXJ6BH> (Year: 2017).
U.S. Appl. No. 29/656,481, filed Jul. 12, 2018, Davis.
Metal Coffee Table; <https://www.overstock.com/Home-Garden/42-Metal-Coffee-Table-42-x-24-x-18h/15951452/product.html>; Retrieved on Nov. 13, 2018.
U.S. Appl. No. 29/634,908, filed Jan. 25, 2018, Davis.

* cited by examiner

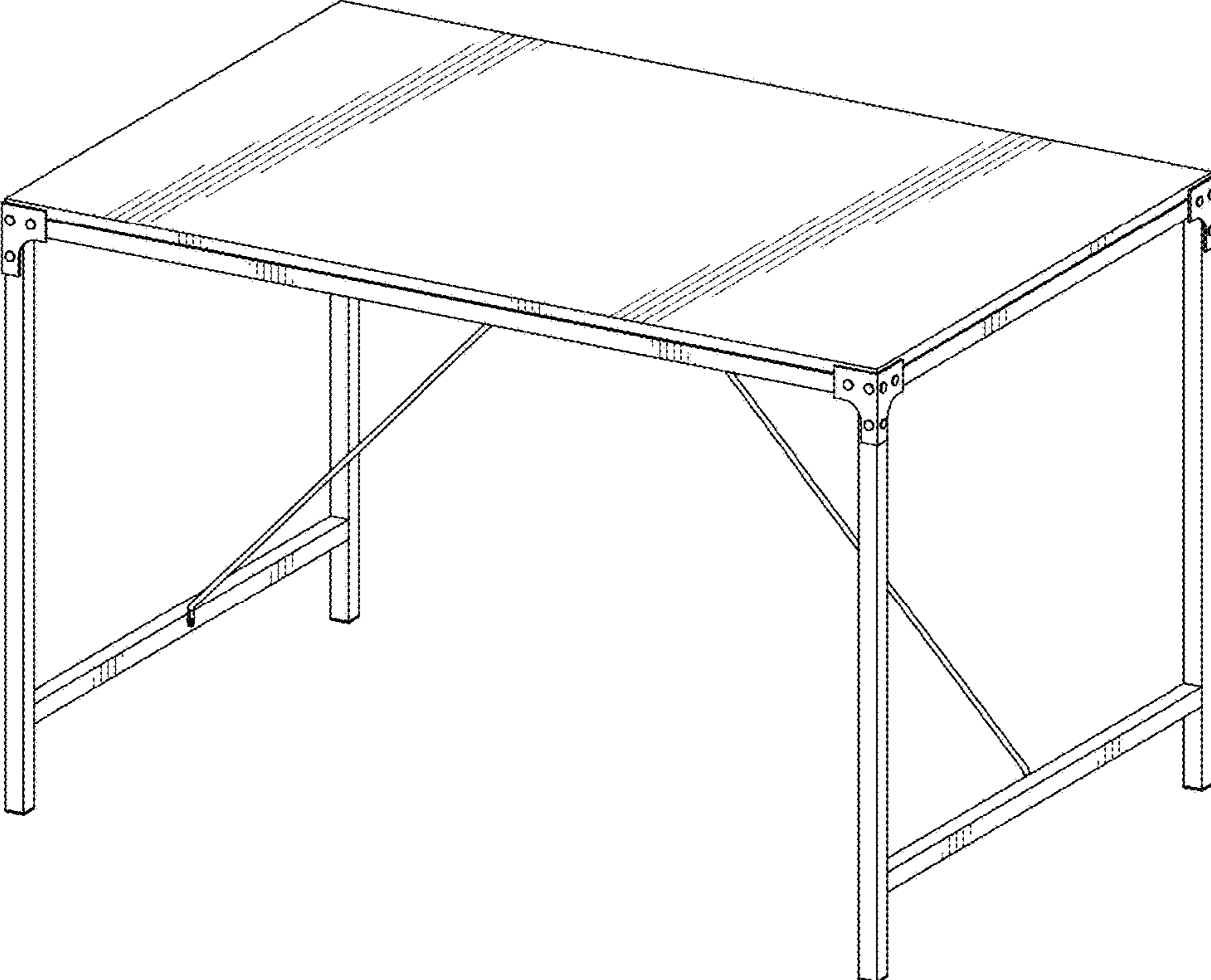


FIG. 1

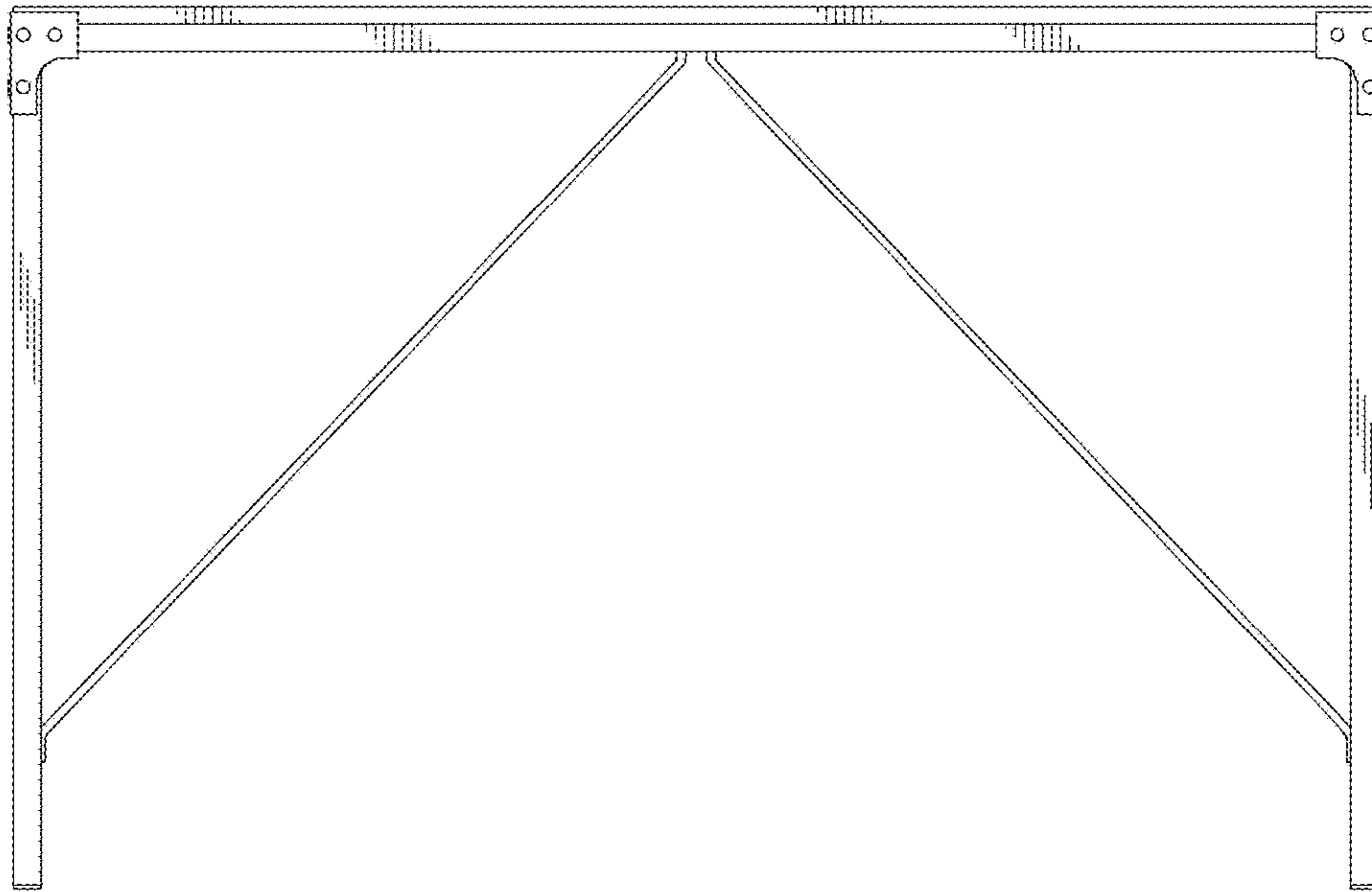


FIG. 2

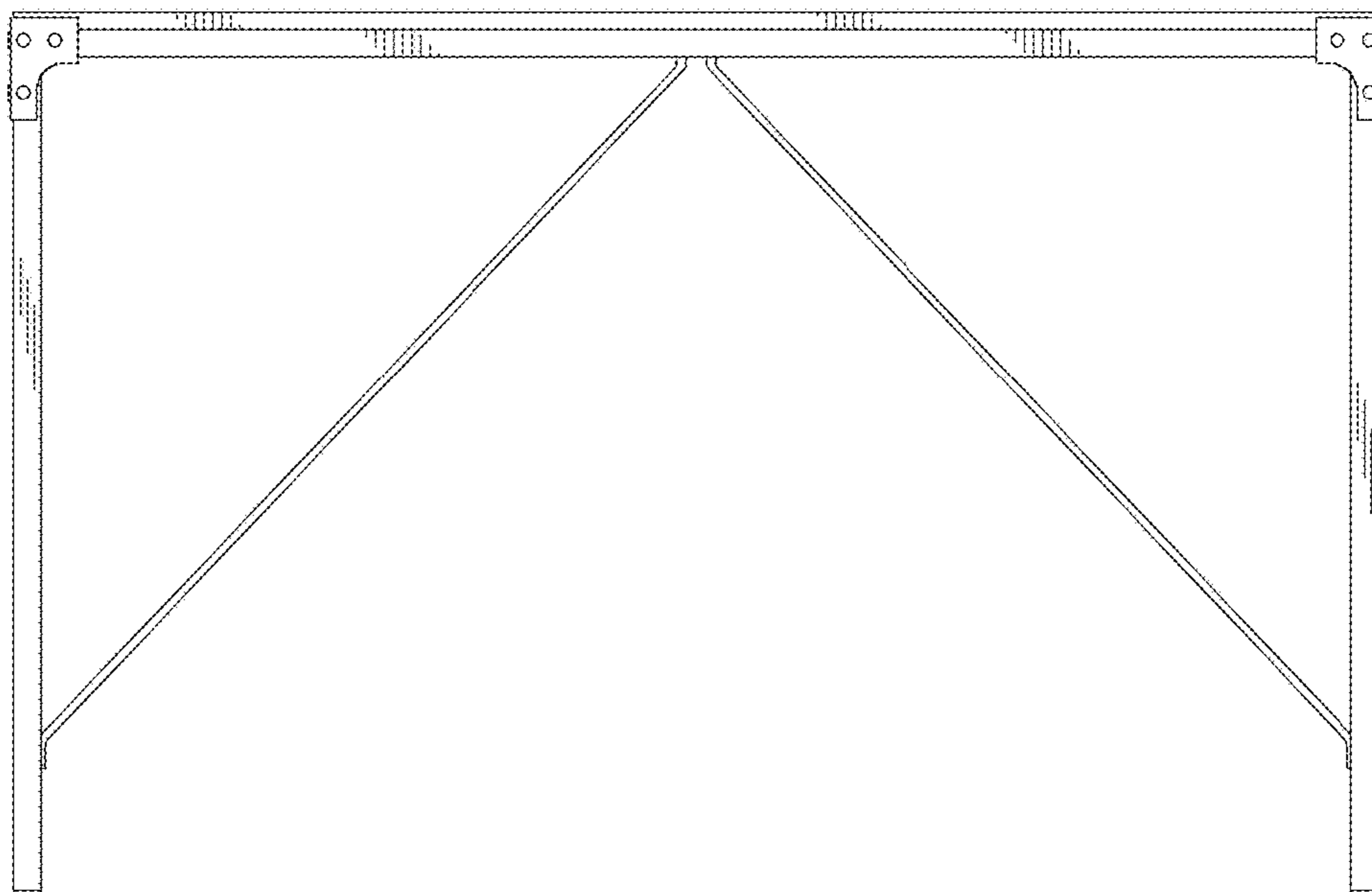


FIG. 3

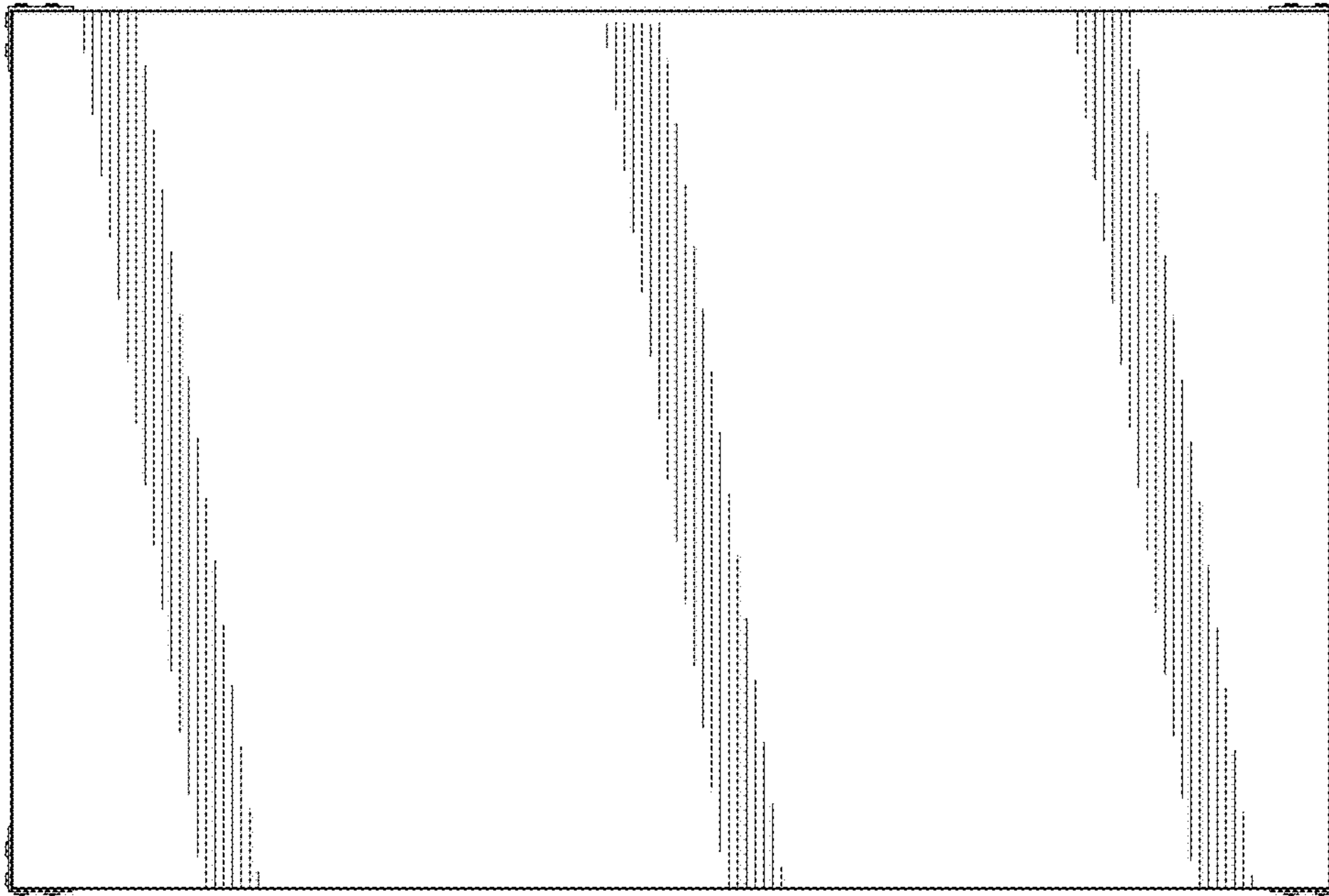


FIG. 4

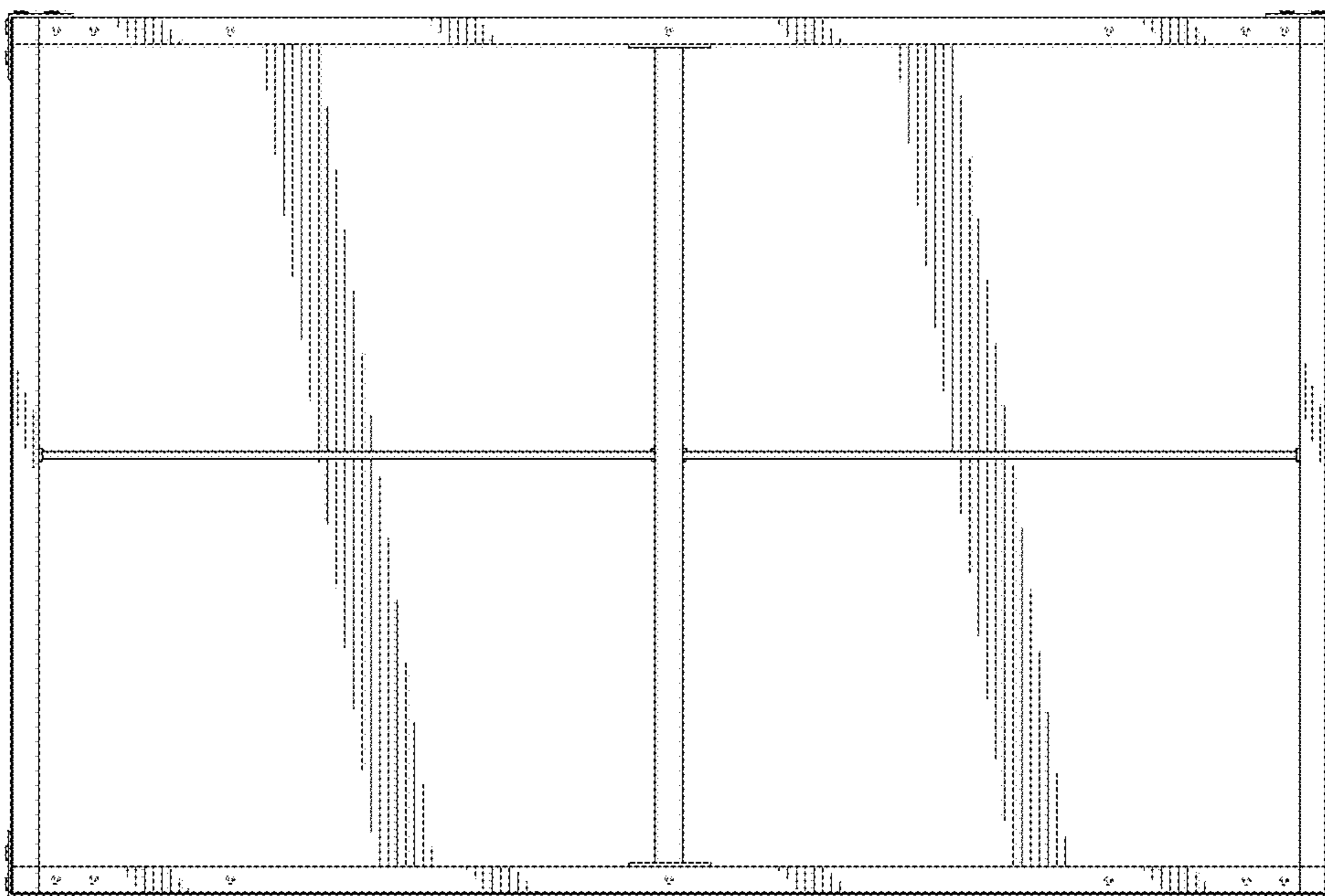


FIG. 5

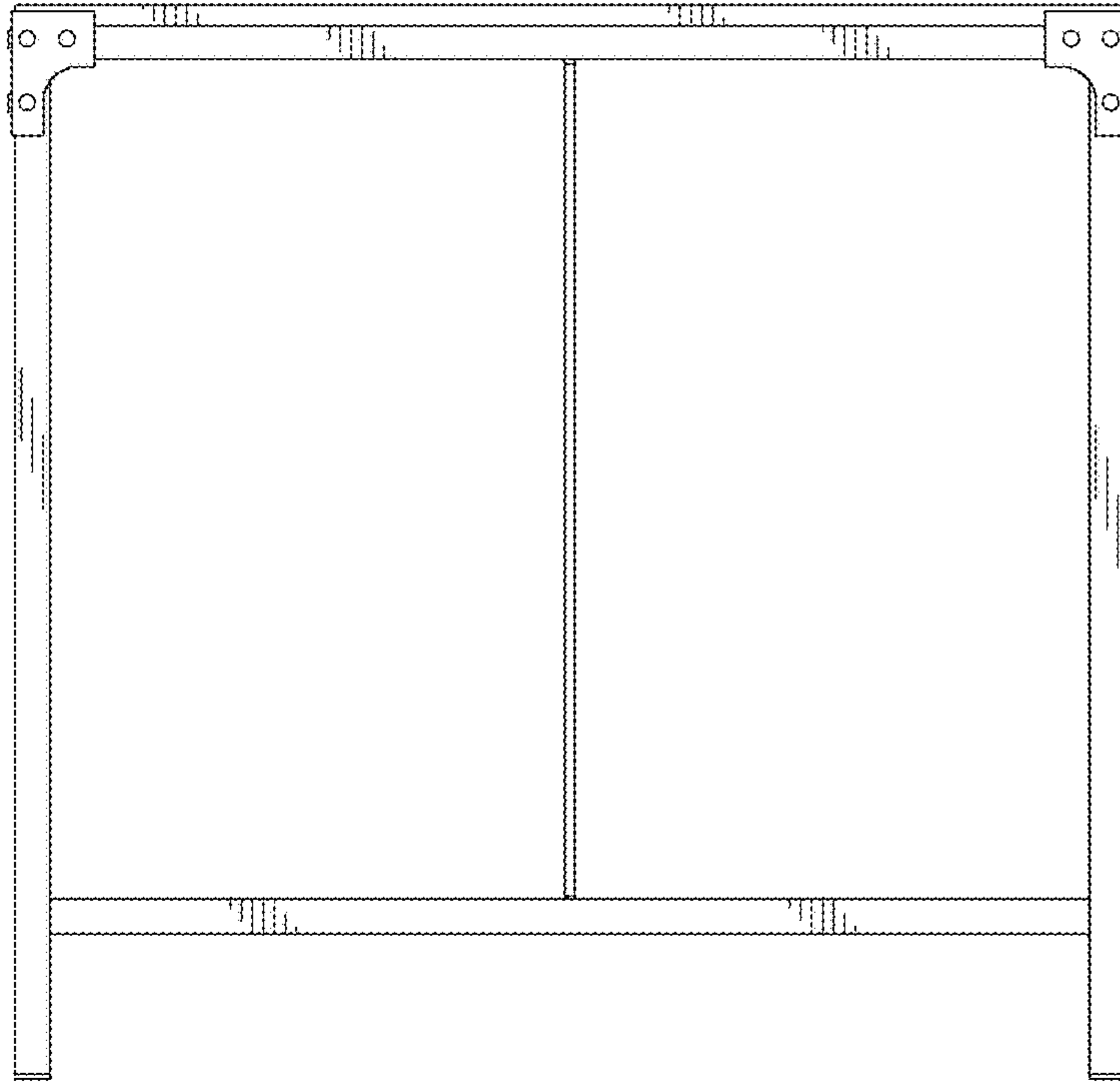


FIG. 6

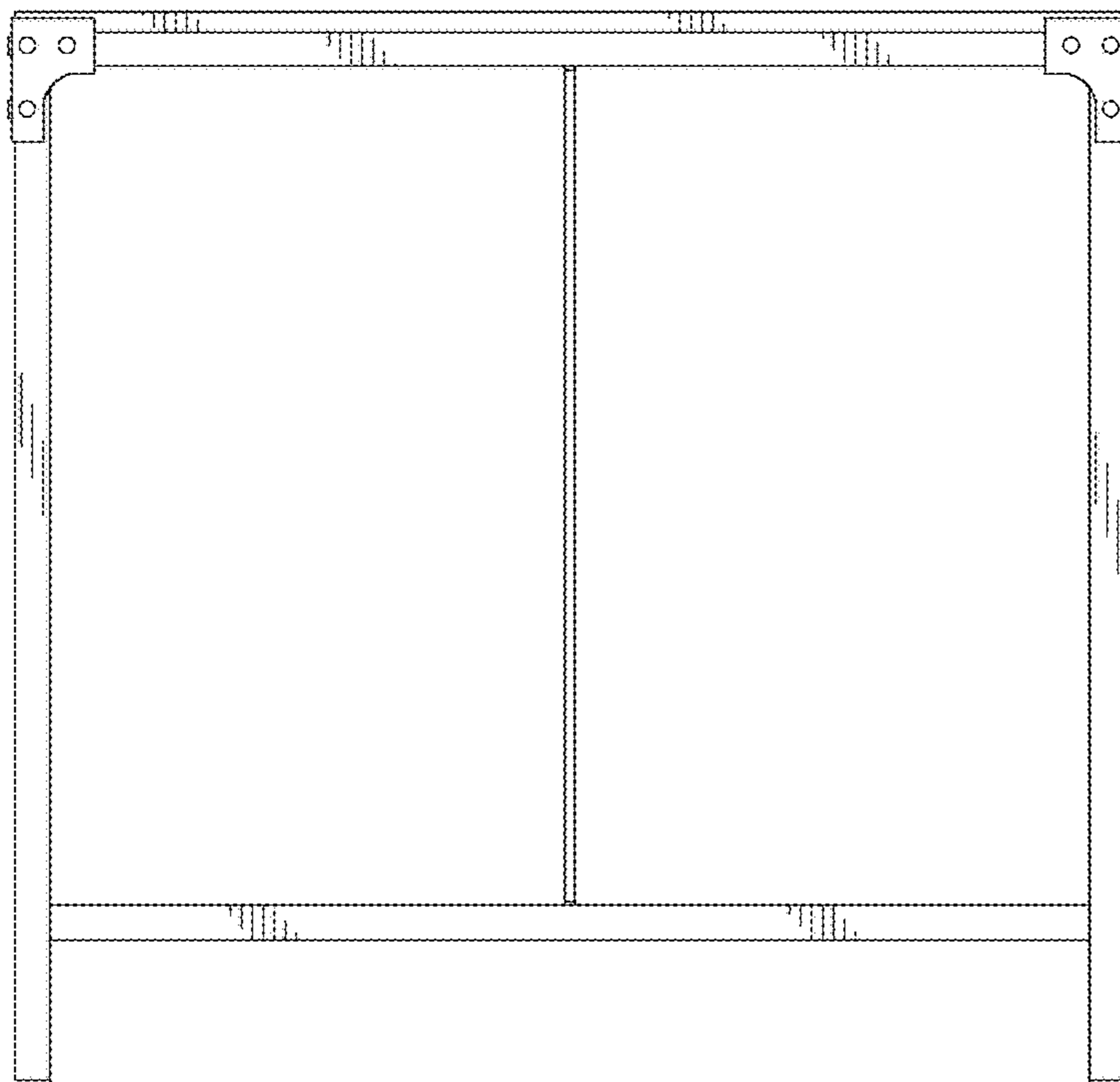


FIG. 7