

US00D866231S

(12) **United States Design Patent** (10) **Patent No.:** **US D866,231 S**  
**Sawhney et al.** (45) **Date of Patent:** **\*\* Nov. 12, 2019**

(54) **GUITAR STAND**  
(71) Applicant: **RKS Ventures LLC**, Thousand Oaks, CA (US)  
(72) Inventors: **Ravi Sawhney**, Thousand Oaks, CA (US); **Lance Hussey**, Thousand Oaks, CA (US)  
(73) Assignee: **RKS VENTURES LLC**, Thousand Oaks, CA (US)  
(\*\*) Term: **15 Years**  
(21) Appl. No.: **29/575,466**  
(22) Filed: **Aug. 25, 2016**  
(51) **LOC (12) Cl.** ..... **06-06**  
(52) **U.S. Cl.**  
USPC ..... **D6/682**  
(58) **Field of Classification Search**  
USPC ..... D6/675, 675.1, 678, 678.1, 681, 681.1, D6/681.2, 681.3, 682, 682.1, 682.2, D6/682.3, 682.4, 682.5, 682.6  
CPC ..... A47B 23/00; A47B 23/042; A47B 23/043  
See application file for complete search history.

D435,365 S \* 12/2000 Eason ..... D16/244  
D646,505 S \* 10/2011 Eason ..... D6/682.3  
D657,977 S \* 4/2012 Belitz ..... D6/681.1  
D675,039 S \* 1/2013 Foisy ..... D6/682.1  
8,796,525 B2 \* 8/2014 Sawhney ..... G10G 5/00  
84/453  
D716,592 S \* 11/2014 Belitz ..... G10G 5/00  
D6/682.3  
9,330,645 B2 \* 5/2016 Sawhney ..... G10G 5/00  
2003/0052237 A1 \* 3/2003 Yu ..... A47B 19/002  
248/125.8  
2010/0163693 A1 \* 7/2010 Wang ..... G10G 5/00  
248/121  
2010/0181441 A1 \* 7/2010 Yu ..... G10G 5/00  
248/121

\* cited by examiner

*Primary Examiner* — Kelley A Donnelly  
(74) *Attorney, Agent, or Firm* — Riso I.P.

(57) **CLAIM**

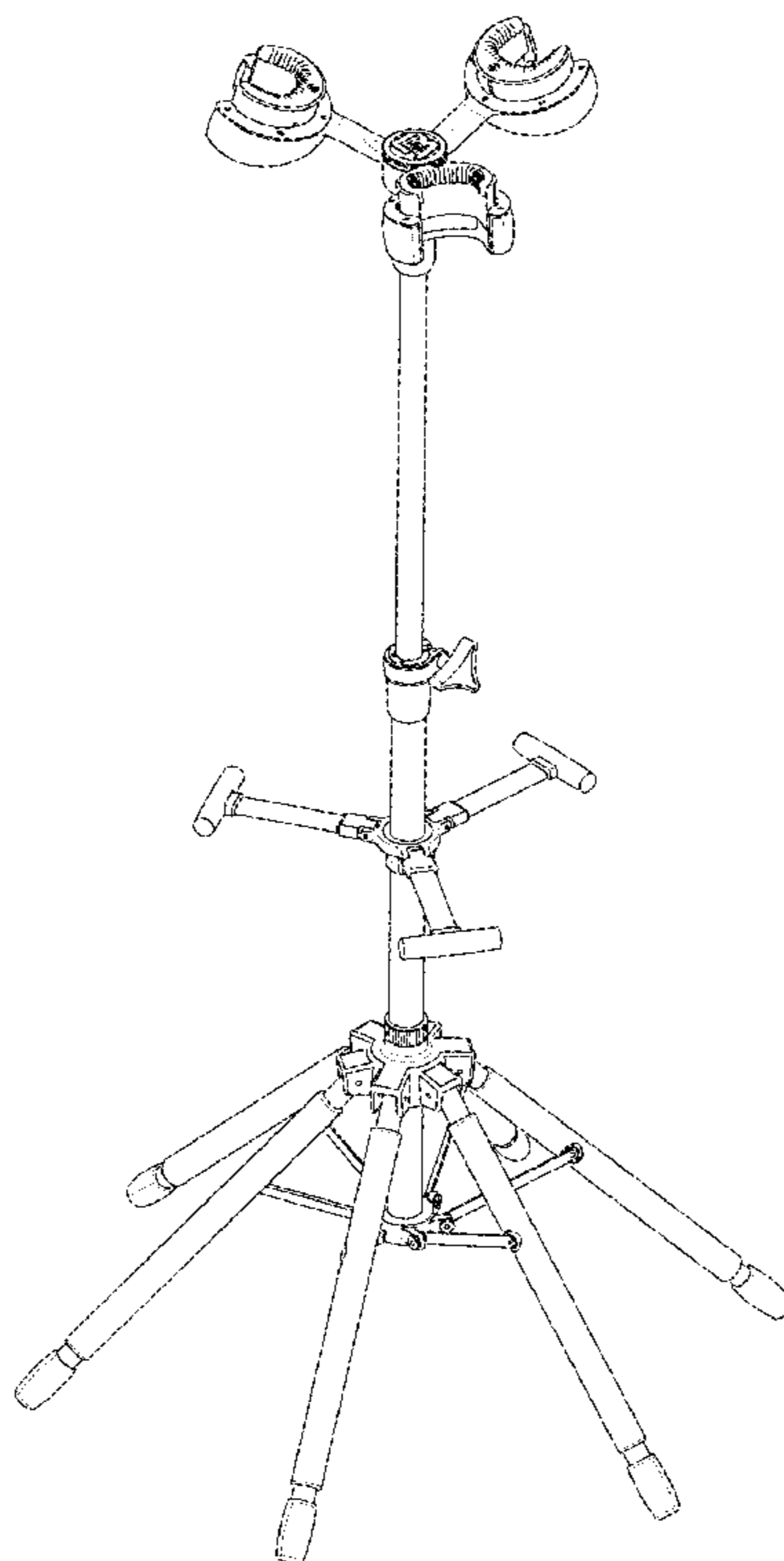
The ornamental design for a guitar stand, as shown and described.

**DESCRIPTION**

FIG. 1 is an elevated-view of a guitar stand;  
FIG. 2 is a front view of the guitar stand;  
FIG. 3 is a rear view of the guitar stand;  
FIG. 4 is a right, side-view of the guitar stand;  
FIG. 5 is a left, side-view of the guitar stand;  
FIG. 6 is a top-view of the guitar stand; and,  
FIG. 7 is a bottom-view of the guitar stand.

**1 Claim, 7 Drawing Sheets**

(56) **References Cited**  
U.S. PATENT DOCUMENTS  
D236,227 S \* 8/1975 Kester ..... D17/99  
D421,447 S \* 3/2000 Eason ..... D16/244



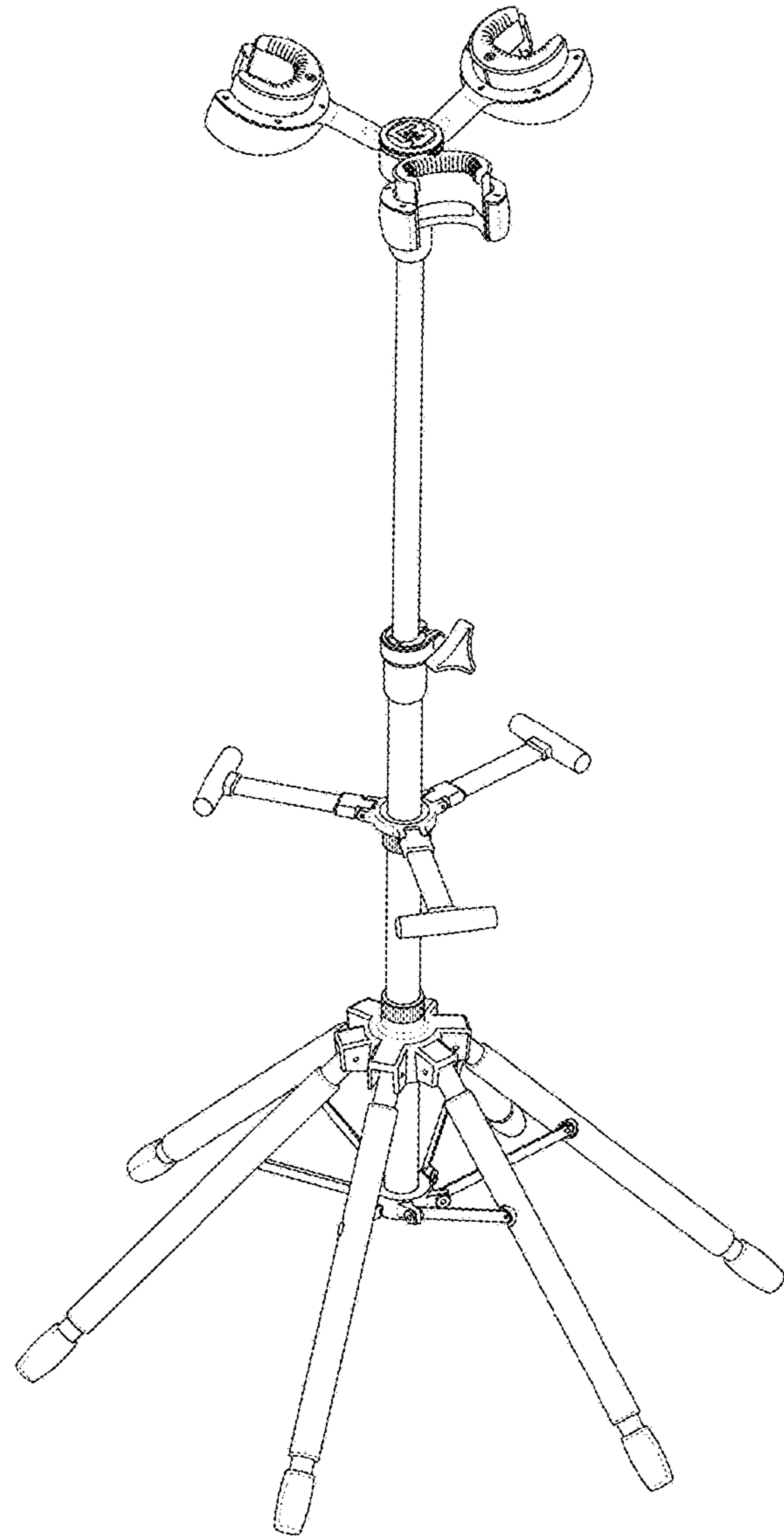


FIGURE 1

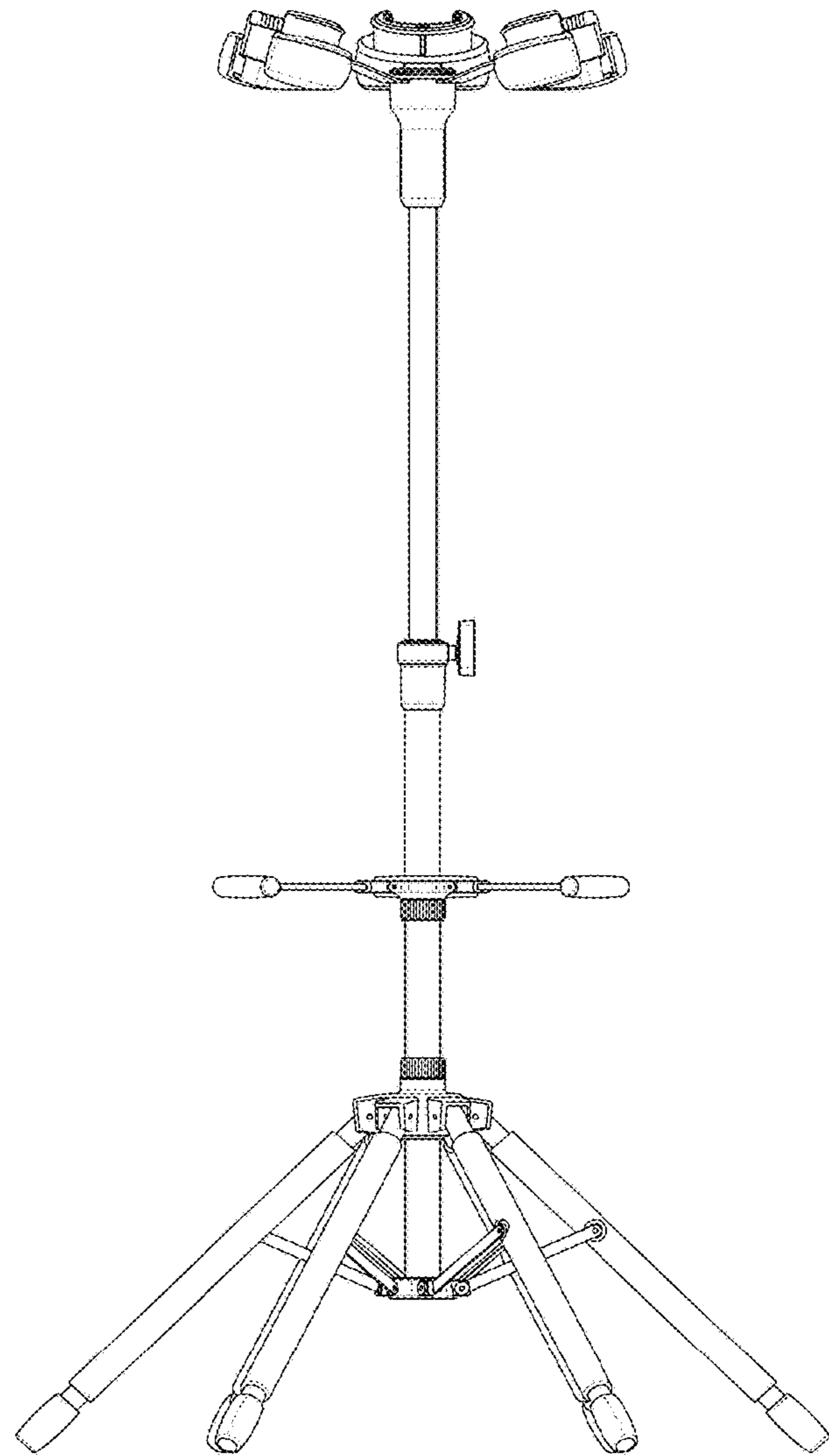


FIGURE 2

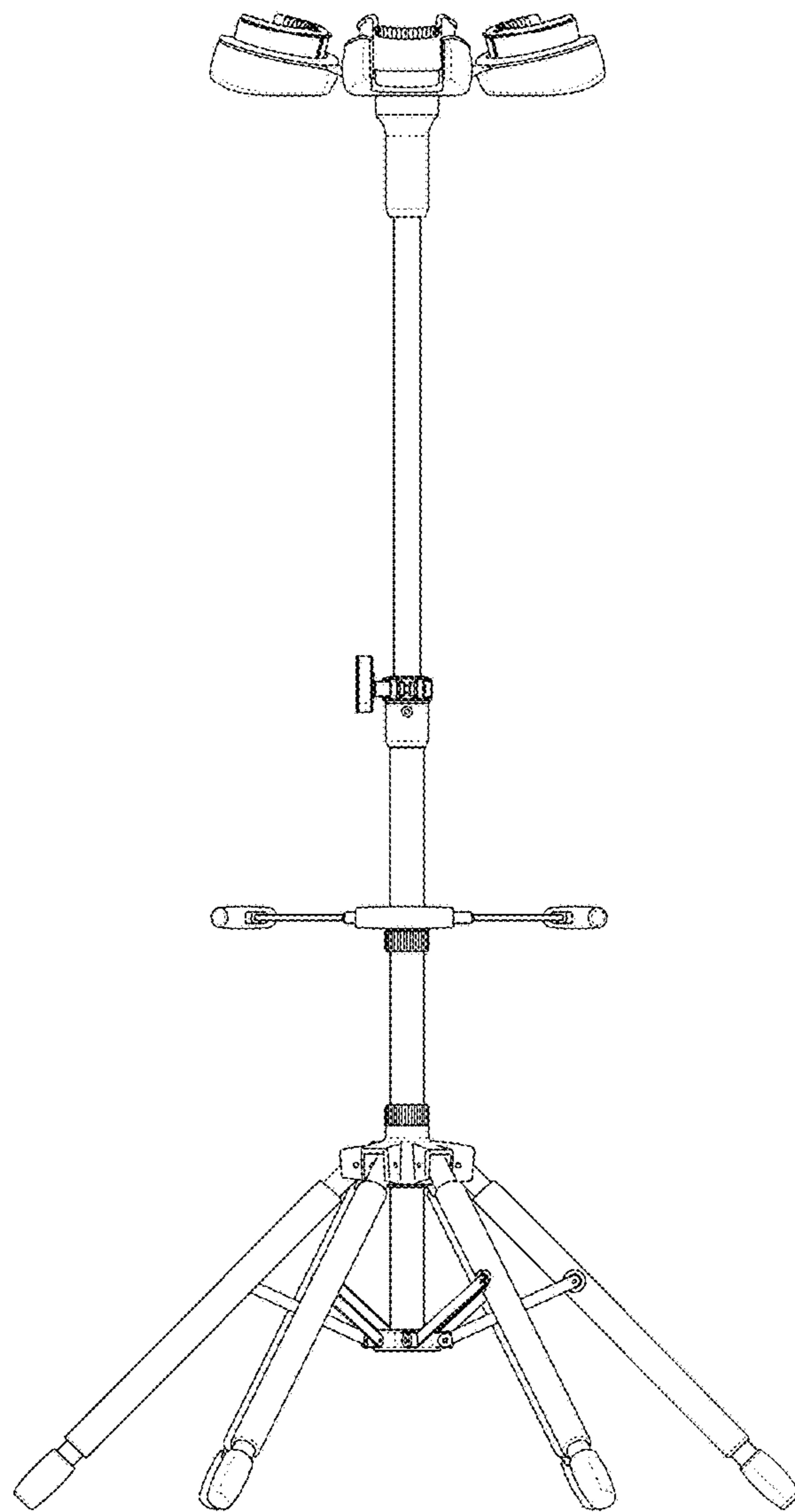


FIGURE 3

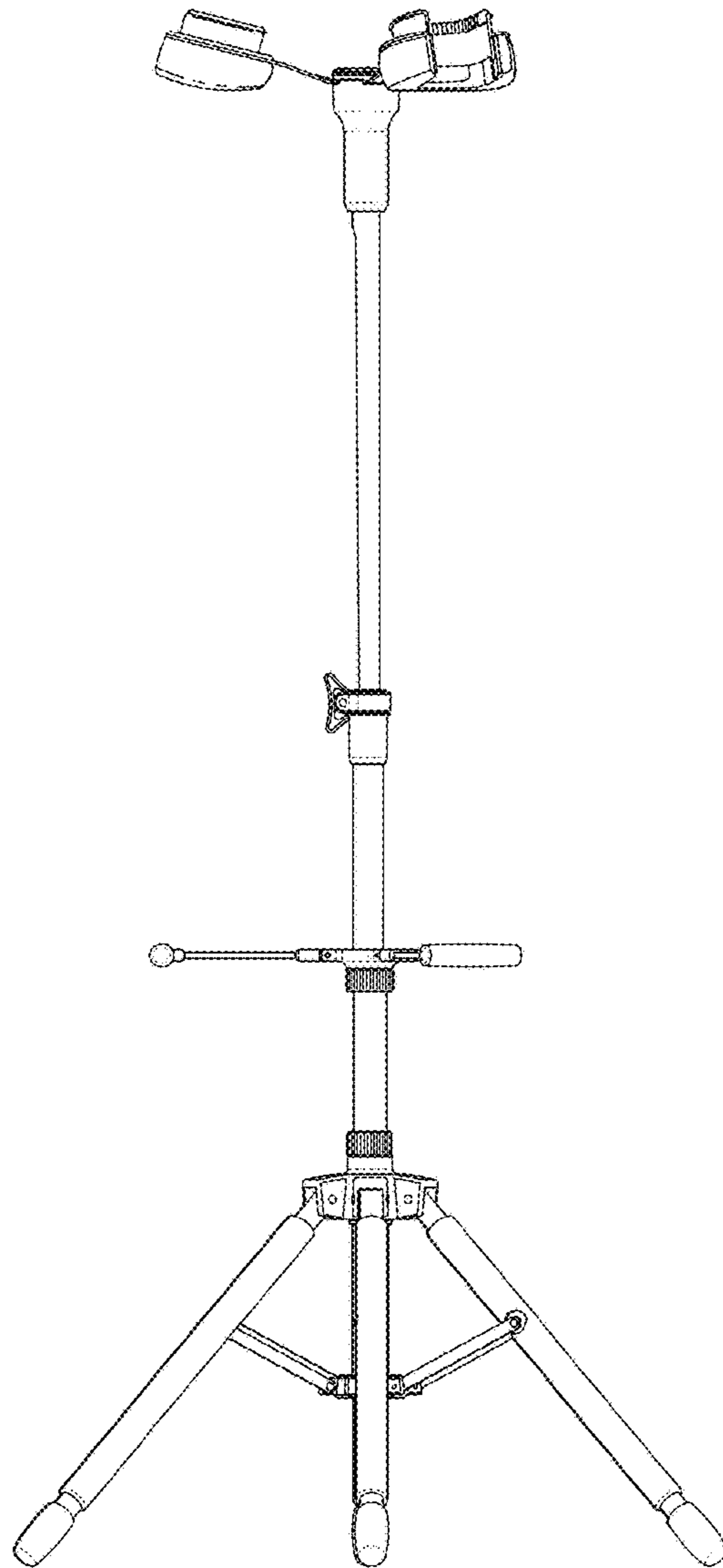


FIGURE 4

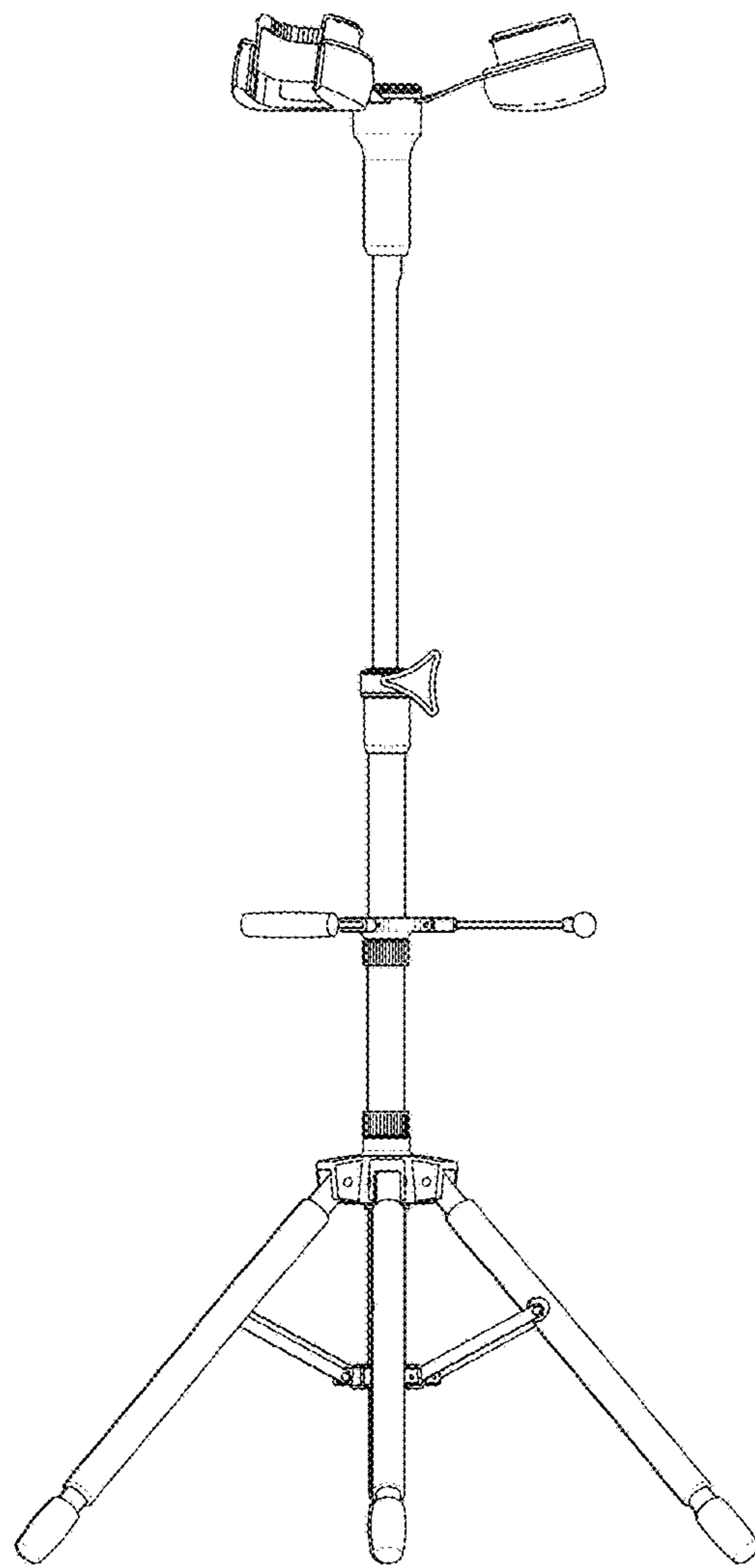


FIGURE 5

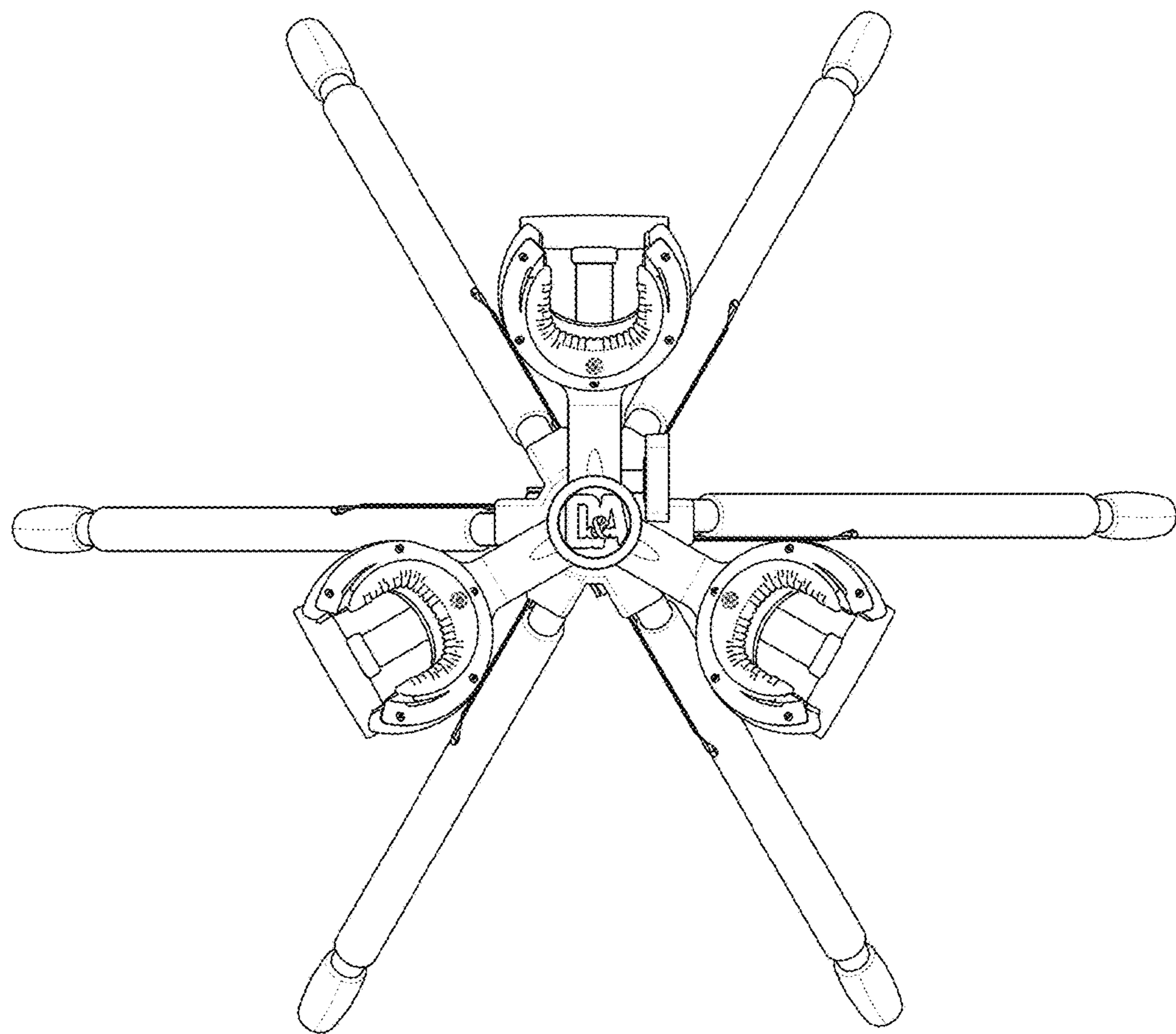


FIGURE 6



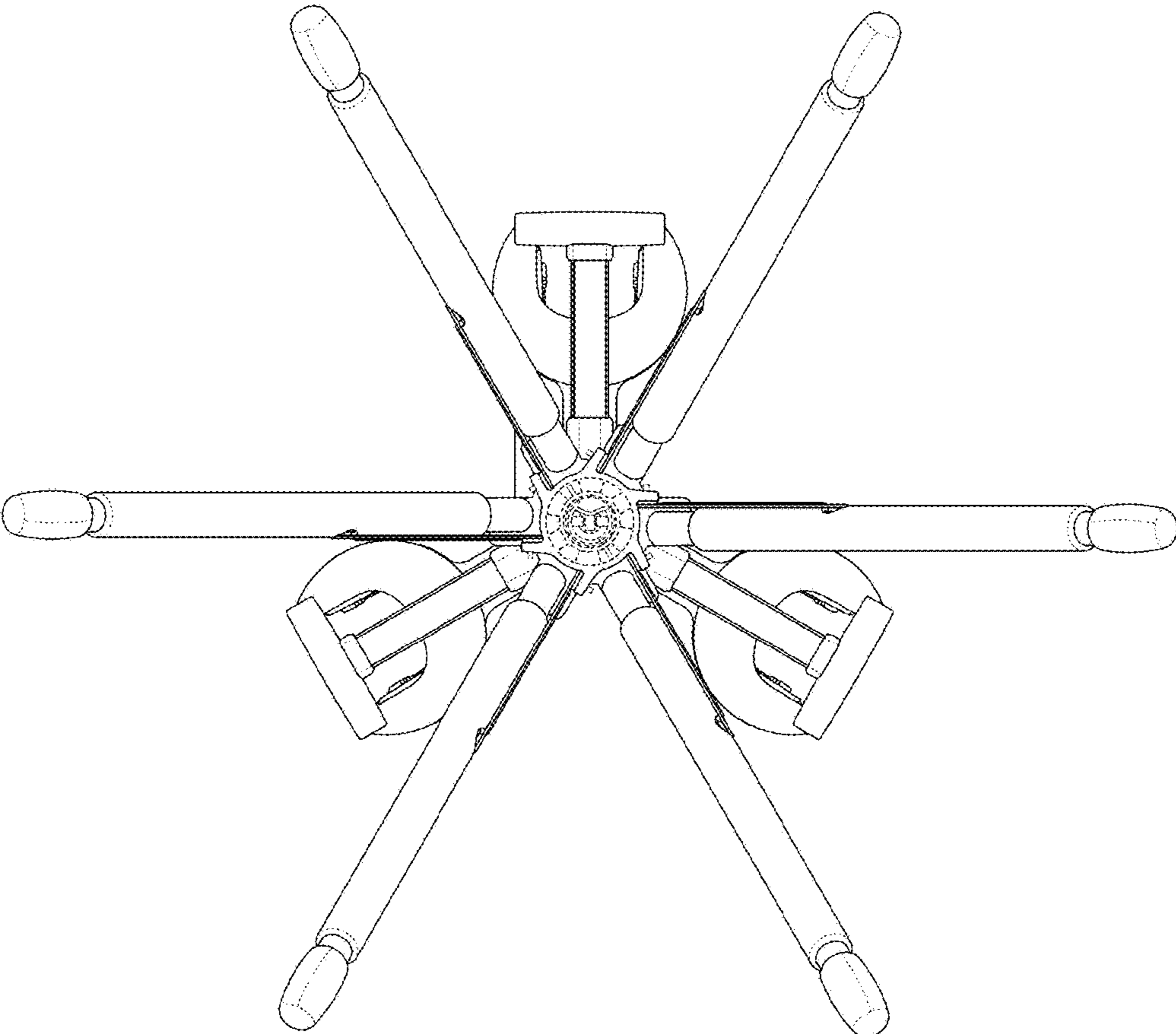


FIGURE 7