



US00D866228S

(12) **United States Design Patent** (10) **Patent No.:** **US D866,228 S**
Pedersen et al. (45) **Date of Patent:** **** Nov. 12, 2019**

- (54) **DISPLAY UNIT**
- (71) Applicant: **Target Brands, Inc.**, Minneapolis, MN (US)
- (72) Inventors: **Sara L. Pedersen**, Minneapolis, MN (US); **Scott E. Denby**, Minneapolis, MN (US)
- (73) Assignee: **Target Brands, Inc.**, Minneapolis, MN (US)
- (**) Term: **15 Years**
- (21) Appl. No.: **29/628,302**
- (22) Filed: **Dec. 4, 2017**
- (51) **LOC (12) Cl.** **06-06**
- (52) **U.S. Cl.**
USPC **D6/675.1**
- (58) **Field of Classification Search**
USPC D6/672, 675, 675.1, 675.2, 675.3, 675.4, D6/675.5
CPC A47F 5/0043; A47F 5/0081; A47F 7/00; A47F 9/00; A47B 96/00; A47B 96/02; A47B 47/00; A47B 47/021
See application file for complete search history.

(56) **References Cited**

U.S. PATENT DOCUMENTS

D171,751 S *	3/1954	Curtis	D6/337
3,262,734 A *	7/1966	Kuks	A47B 83/02 297/158.3
D246,683 S *	12/1977	Cagle	D6/338
4,076,305 A *	2/1978	Sullivan	A47B 3/14 108/193
D313,702 S *	1/1991	Rich	D6/335
D329,147 S *	9/1992	Gandy	D6/337
D401,790 S *	12/1998	Buell	D6/687
D417,965 S *	12/1999	Strong	D6/337
6,443,076 B1 *	9/2002	Case, Jr.	A47B 3/14 108/157.18
D611,734 S *	3/2010	Stukenberg	D6/691.8

D611,735 S *	3/2010	Stukenberg	D6/691.8
D686,438 S *	7/2013	Denby	D6/687
D693,610 S *	11/2013	Denby	D6/675
D694,558 S *	12/2013	Denby	D6/675.1
D746,618 S *	1/2016	Clark	D6/675.3
D753,418 S *	4/2016	Hsu	D6/675
D753,419 S *	4/2016	Heirakuji	D6/675
D755,546 S *	5/2016	Johnson	D6/675.3
D763,016 S *	8/2016	Clark	D6/675
D766,625 S *	9/2016	Johnson	D6/675.3
D768,417 S *	10/2016	Johnson	D6/687

(Continued)

Primary Examiner — Kelley A Donnelly

(74) *Attorney, Agent, or Firm* — Leanne Taveggia Farrell; Westman, Champlin & Koehler, P.A.

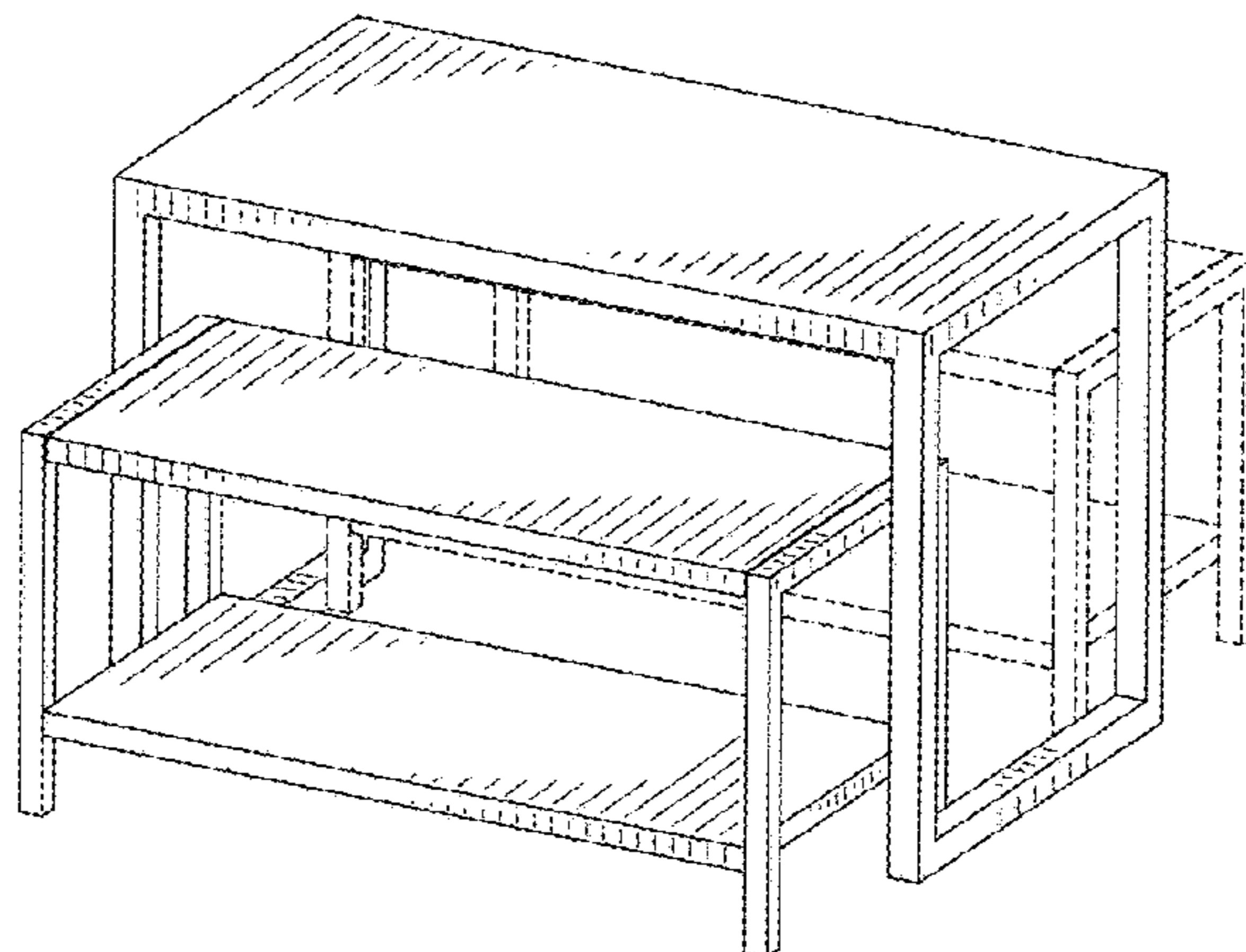
(57) **CLAIM**

The ornamental design for a display unit, as shown and described.

DESCRIPTION

FIG. 1 is a perspective view of a first embodiment of a display unit showing our new design;
 FIG. 2 is a front view thereof;
 FIG. 3 is a back view thereof;
 FIG. 4 is a right side view thereof, the left side being a mirror image;
 FIG. 5 is a top view thereof;
 FIG. 6 is a perspective view of a second embodiment thereof;
 FIG. 7 is a front view of FIG. 6;
 FIG. 8 is a back view of FIG. 6;
 FIG. 9 is a right side view of FIG. 6, the left side view being a mirror image; and,
 FIG. 10 is a top view of FIG. 6.
 The broken lines shown in the drawings are included for purposes of illustrating portions of the display unit and form no part of the claimed design.

1 Claim, 6 Drawing Sheets



(56)

References Cited

U.S. PATENT DOCUMENTS

9,468,316 B1 * 10/2016 Johnson A47F 5/16
D777,481 S * 1/2017 Denby D6/675.3
D783,328 S * 4/2017 Hollingsworth D6/708
D794,983 S * 8/2017 Peota D6/675.1
D802,227 S * 11/2017 Florey D30/118
D810,482 S * 2/2018 Modlin D6/691
D824,703 S * 8/2018 Yamamoto D6/675.1
D825,233 S * 8/2018 Yamamoto D6/675.1
D829,024 S * 9/2018 Mejia D6/661
D845,679 S * 4/2019 Li D6/656
D845,683 S * 4/2019 Pedersen D6/675
D848,768 S * 5/2019 Johnson D6/662.1

* cited by examiner

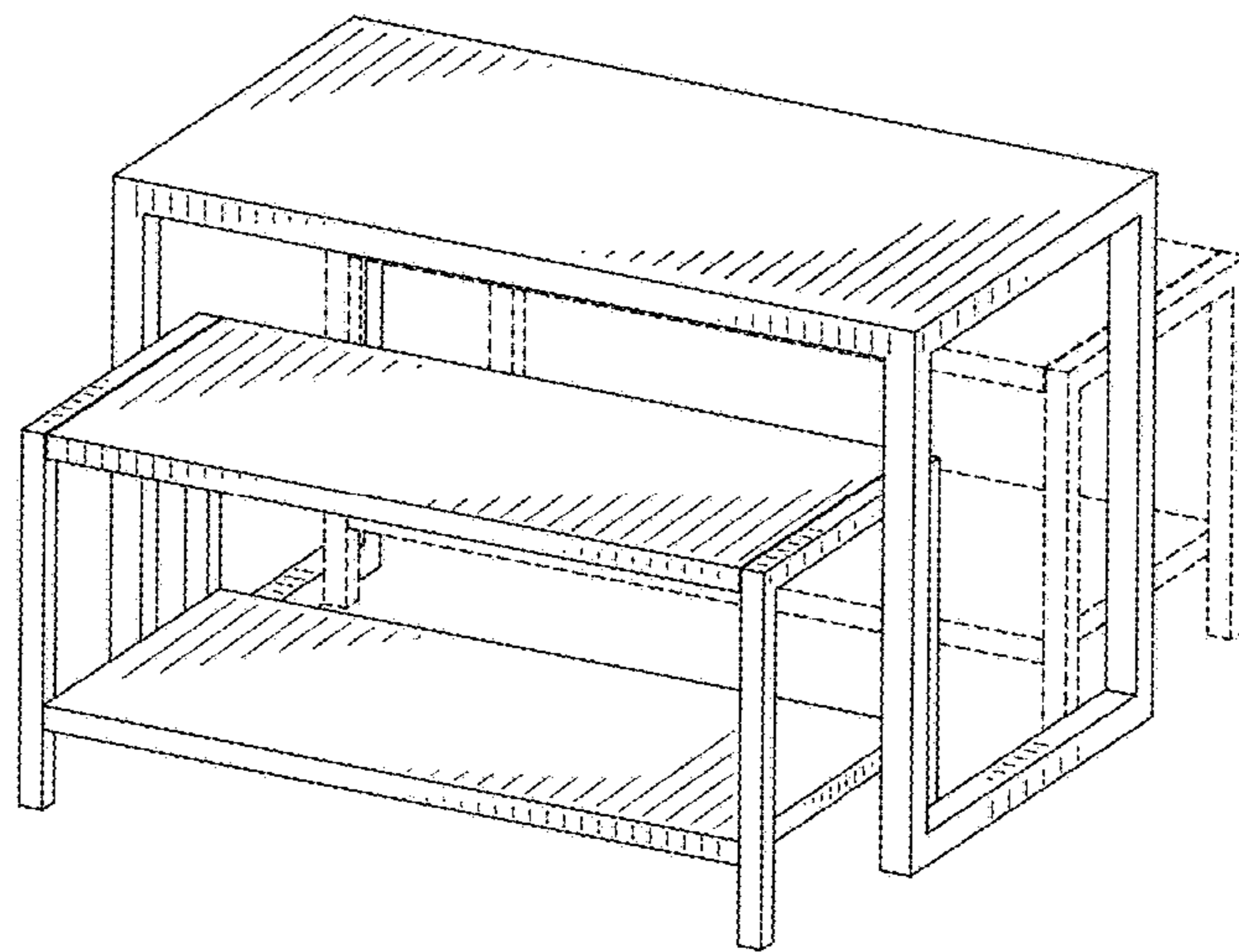


Fig. 1

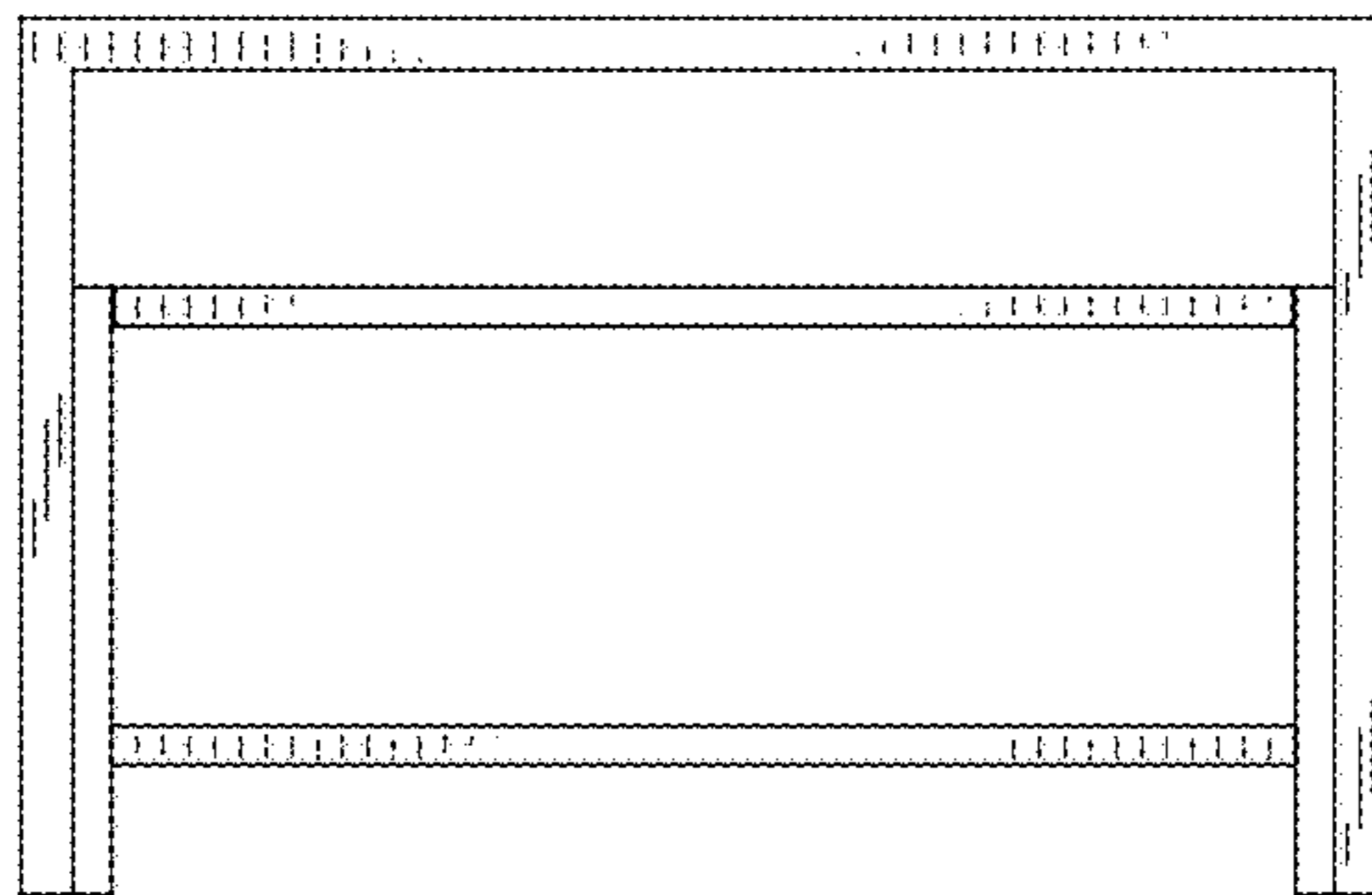


Fig. 2

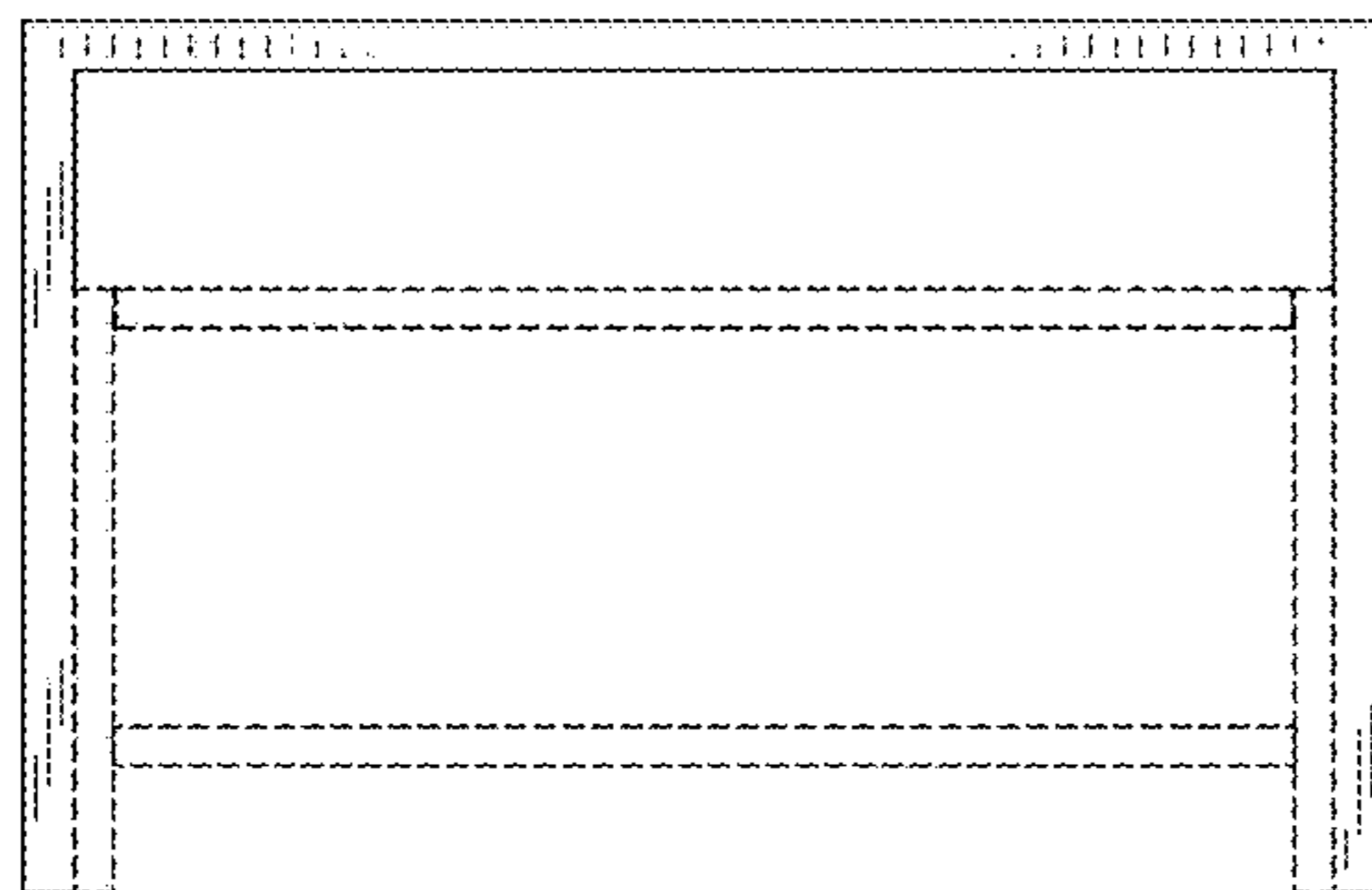


Fig. 3

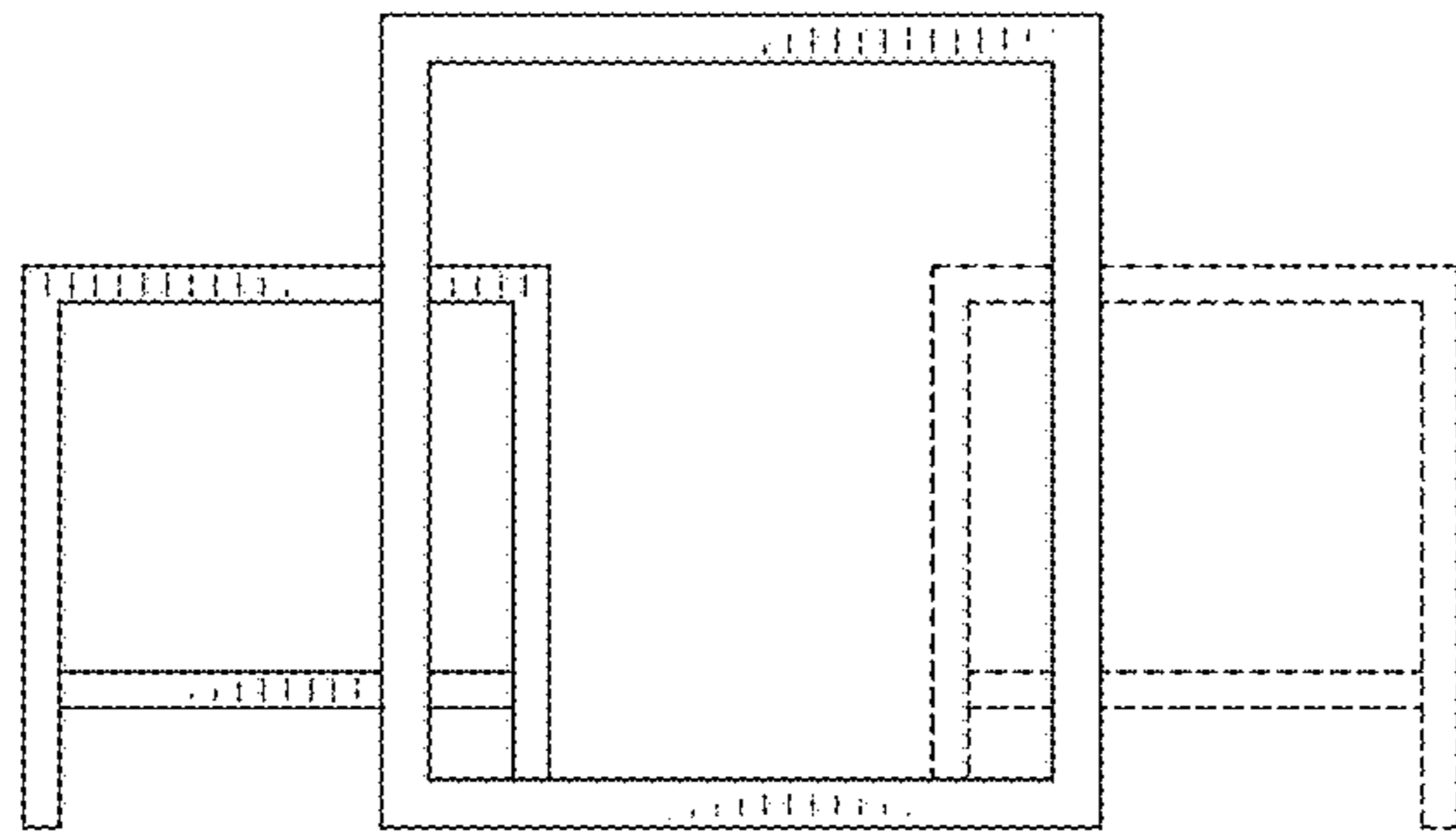


Fig. 4

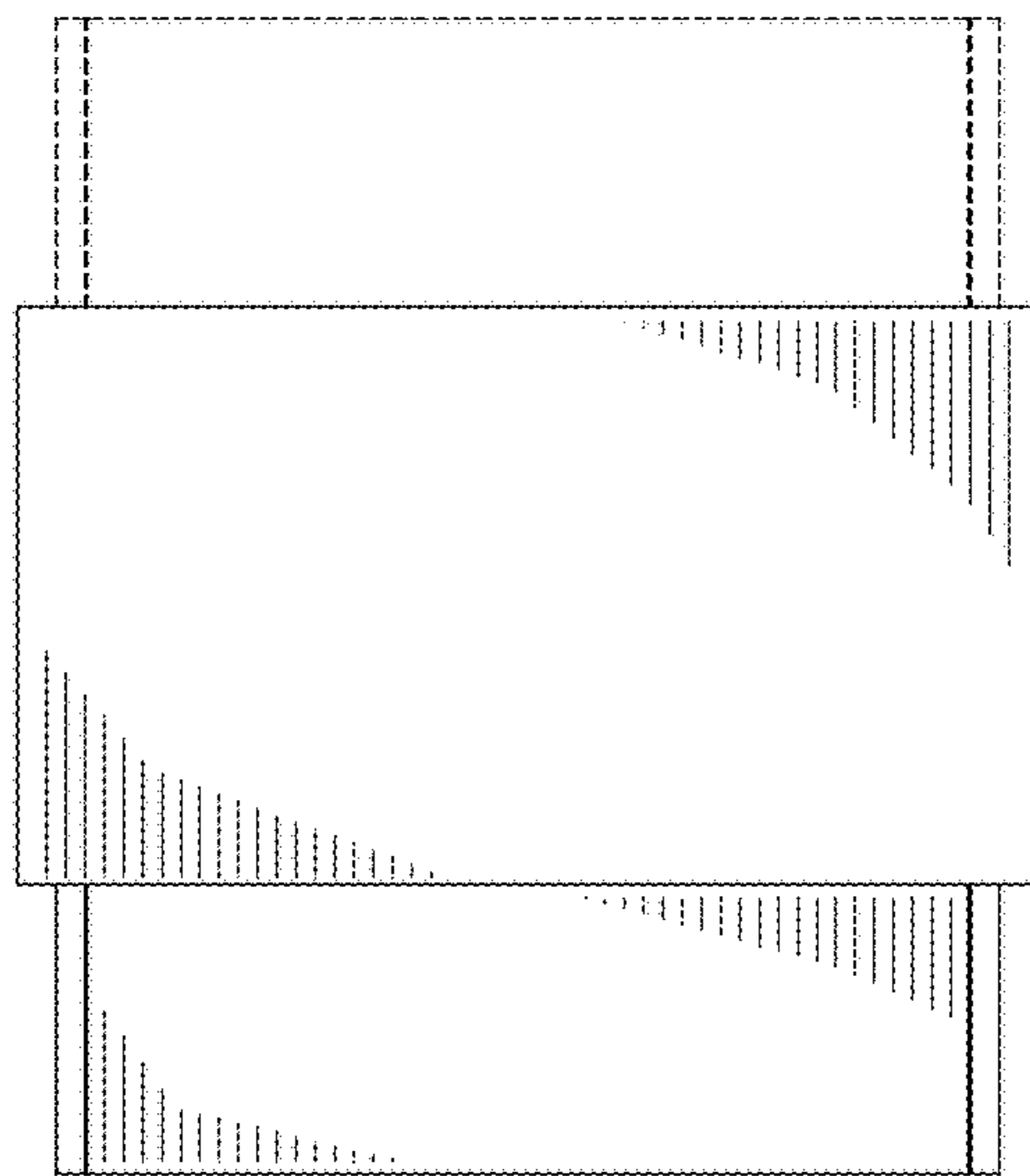


Fig. 5

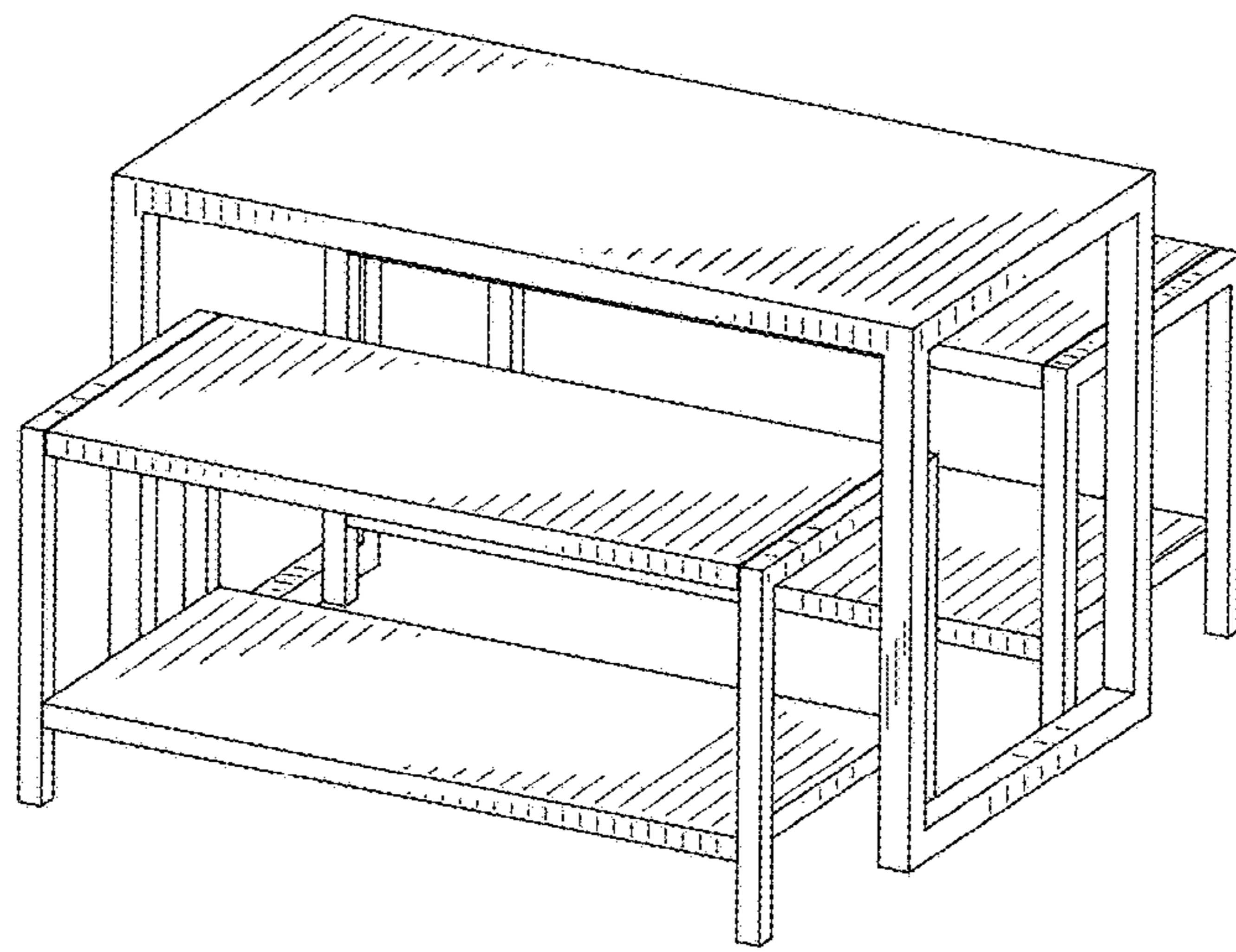


Fig. 6

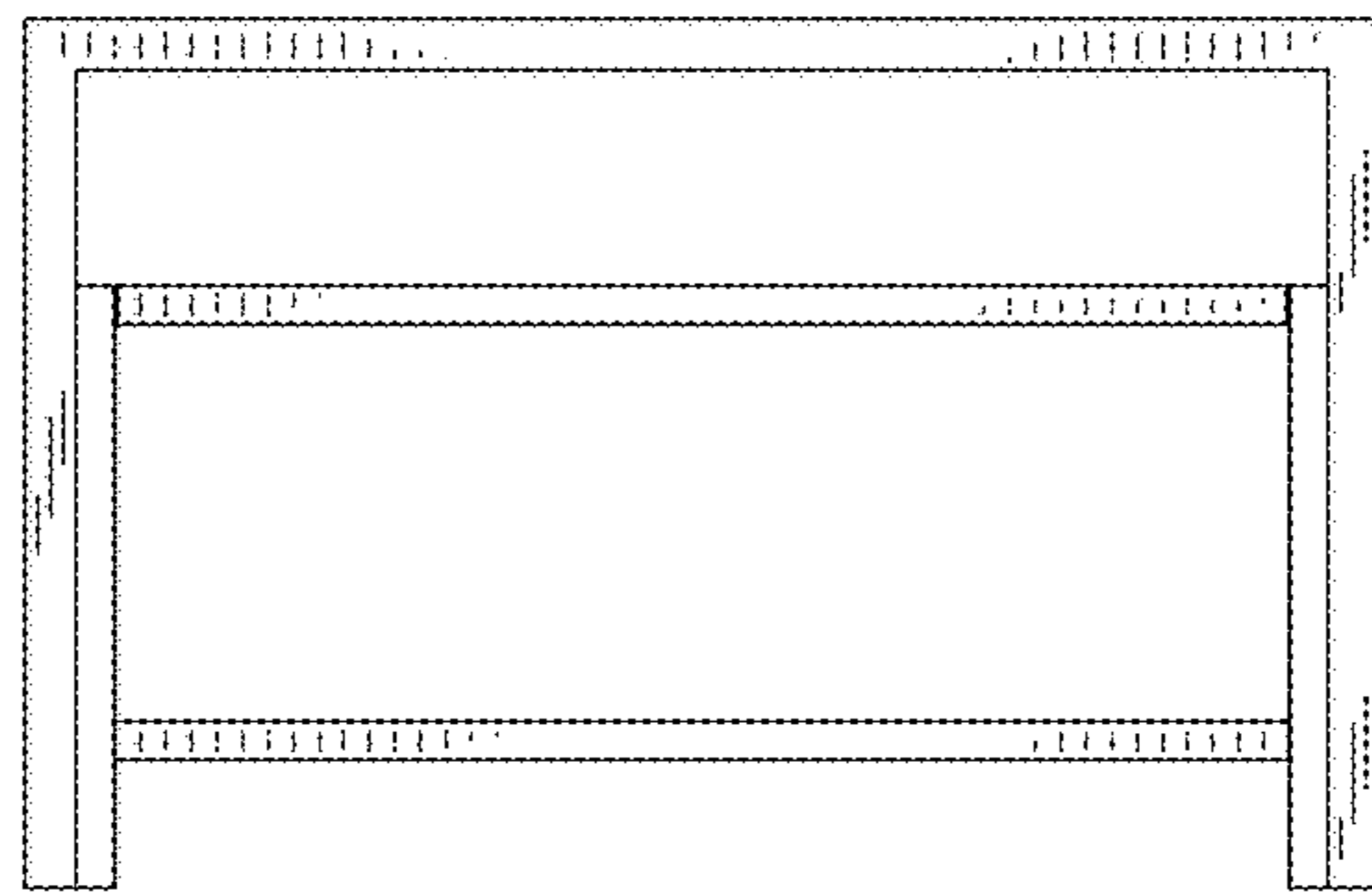


Fig. 7

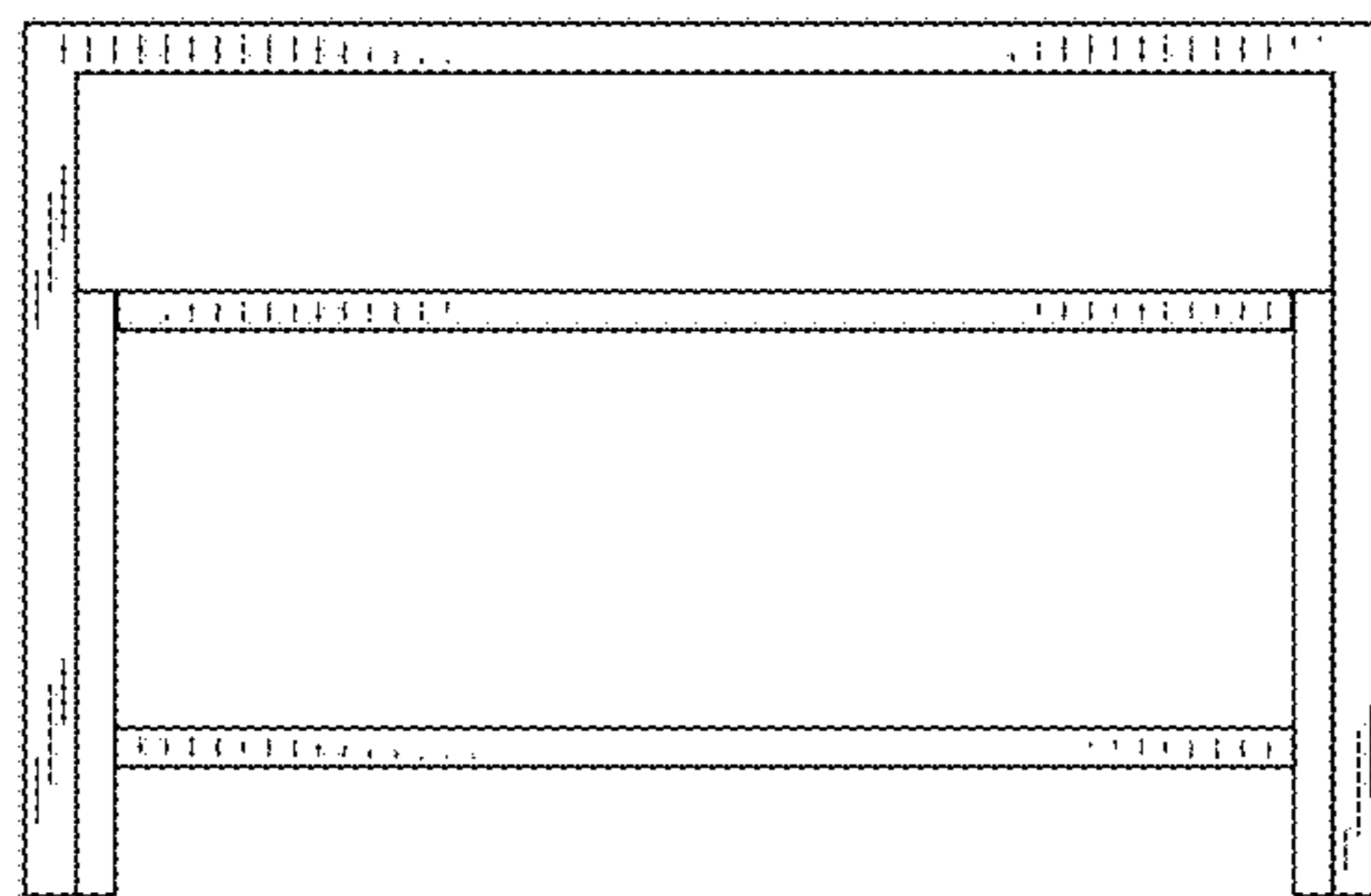


Fig. 8

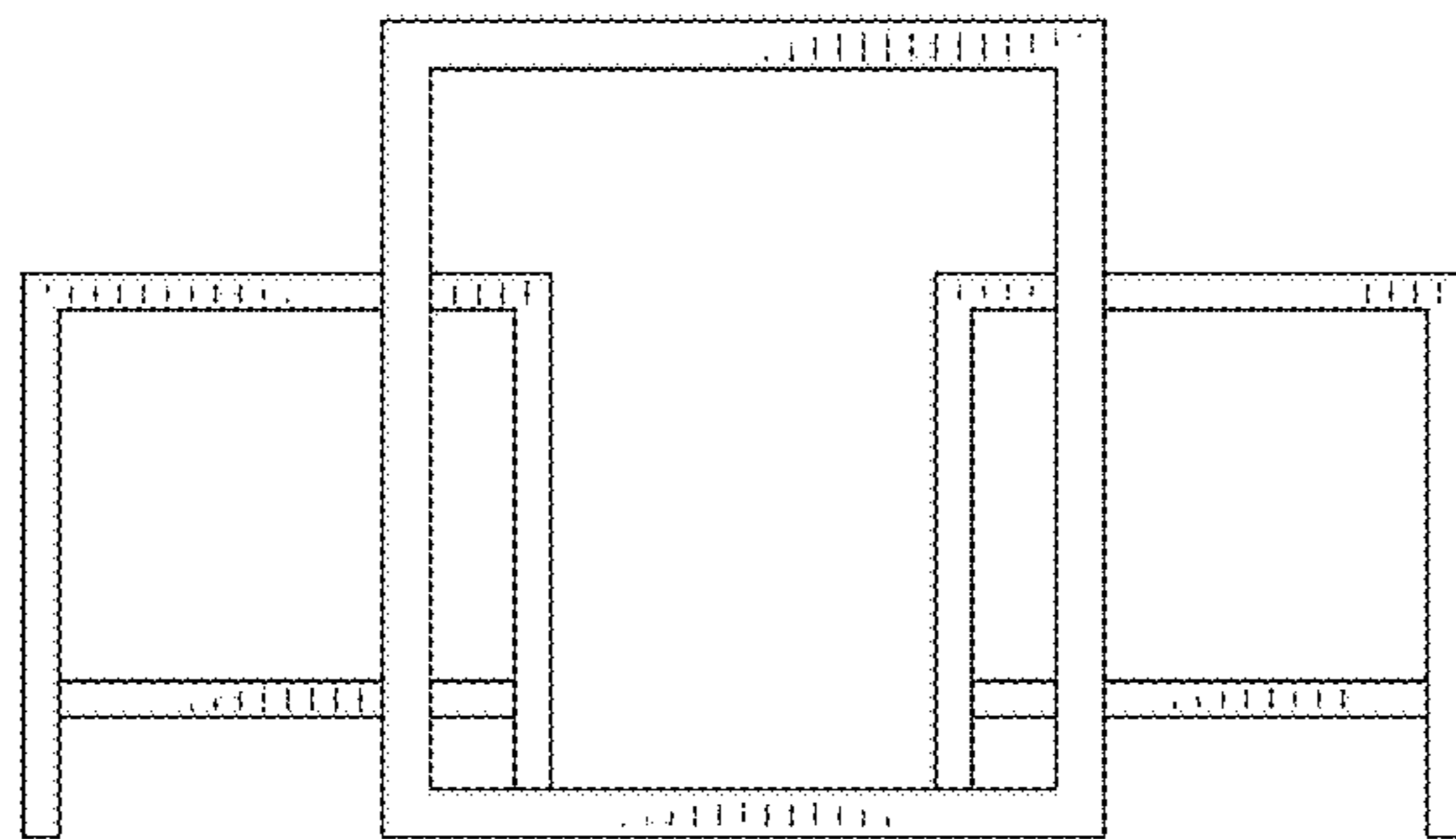


Fig. 9

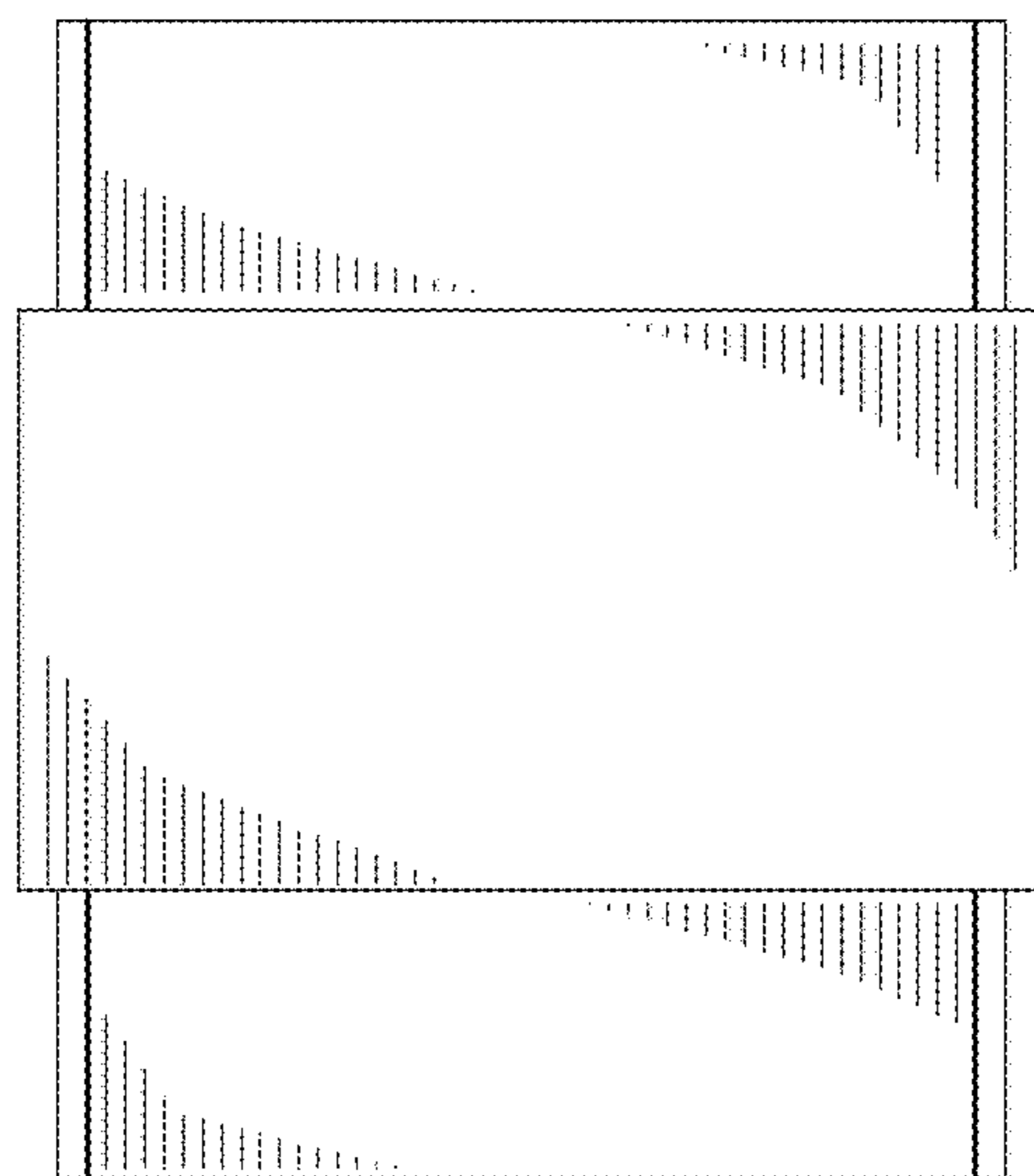


Fig. 10