



US00D866226S

(12) **United States Design Patent** (10) **Patent No.:** **US D866,226 S**
Burton et al. (45) **Date of Patent:** **** Nov. 12, 2019**

(54) **DISPLAY STAND**

(71) Applicant: **Sonos, Inc.**, Santa Barbara, CA (US)

(72) Inventors: **Maximillian Burton**, Santa Barbara, CA (US); **Quinn Huffstetler**, Santa Barbara, CA (US); **Hoang Nguyen**, Santa Barbara, CA (US); **Anthony Sperduti**, Santa Barbara, CA (US)

(73) Assignee: **Sonos, Inc.**, Santa Barbara, CA (US)

(**) Term: **15 Years**

(21) Appl. No.: **29/681,771**

(22) Filed: **Feb. 27, 2019**

Related U.S. Application Data

(63) Continuation of application No. 29/631,560, filed on Dec. 29, 2017, now Pat. No. Des. 844,349, which is (Continued)

(51) **LOC (12) Cl.** **20-02**

(52) **U.S. Cl.**
USPC **D6/672**

(58) **Field of Classification Search**
USPC D6/657, 668.1, 668.2, 669, 671, 671.1, D6/672, 675.1, 678.1, 678.2, 682.6, 683, D6/683.1, 705

(Continued)

(56) **References Cited**

U.S. PATENT DOCUMENTS

D141,377 S 5/1945 Miller
3,100,460 A * 8/1963 McElroy A47B 57/16
108/109

(Continued)

FOREIGN PATENT DOCUMENTS

CN 303855412 S 9/2016
EM 002971739-0001 2/2016

(Continued)

OTHER PUBLICATIONS

<https://thefixturezone.com/slatwall-l-shaped-merchandiser-with-drawer-maple.html> (Year: 2019).*

(Continued)

Primary Examiner — Manpreet S Matharu

Assistant Examiner — Keith J Wilson

(74) *Attorney, Agent, or Firm* — KPPB LLP

(57) **CLAIM**

The ornamental design for a display stand, as shown and described.

DESCRIPTION

FIG. 1 is a first isometric view of a display stand including a modular display stand in accordance with a first embodiment of the invention.

FIG. 2 is a second isometric view of the display stand in accordance with the embodiment of FIG. 1.

FIG. 3 is a front elevational view of the display stand in accordance with the embodiment of FIG. 1.

FIG. 4 is a first side elevational view of the display stand in accordance with the embodiment of FIG. 1.

FIG. 5 is a rear elevational view of the display stand in accordance with the embodiment of FIG. 1.

FIG. 6 is a second side elevational view of the display stand in accordance with the embodiment of FIG. 1.

FIG. 7 is a first isometric view of a display stand in accordance with a second embodiment of the invention.

FIG. 8 is a second isometric view of the display stand in accordance with the embodiment of FIG. 7.

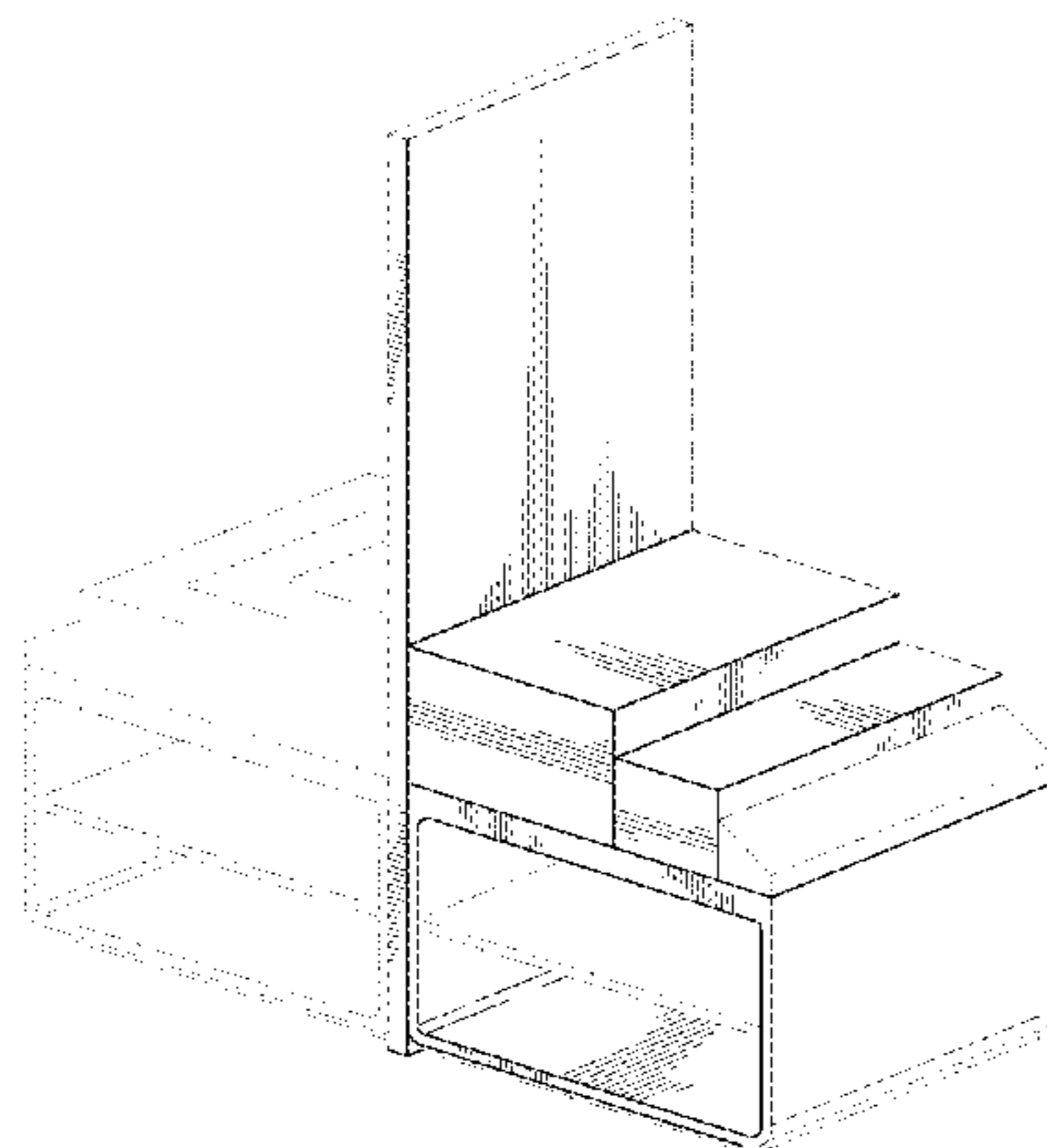
FIG. 9 is a front elevational view of the display stand in accordance with the embodiment of FIG. 7.

FIG. 10 is a first side elevational view of the display stand in accordance with the embodiment of FIG. 7.

FIG. 11 is a rear elevational view of the display stand in accordance with the embodiment of FIG. 7; and,

FIG. 12 is a second side elevational view of the display stand in accordance with the embodiment of FIG. 7.

(Continued)



Features shown in dot-dot broken lines do not form part of the claimed design. Dash-dash broken lines show boundaries of the claimed design.

1 Claim, 8 Drawing Sheets

Related U.S. Application Data

a continuation of application No. 29/539,706, filed on Sep. 16, 2015, now Pat. No. Des. 806,448.

(58) **Field of Classification Search**

CPC ... A47B 43/00; A47F 3/00; A47F 3/08; A47F 5/0018; A47F 5/0043; A47F 5/10

See application file for complete search history.

(56) **References Cited**

U.S. PATENT DOCUMENTS

D232,289 S * 8/1974 Moretine D6/675.1
 D233,970 S 12/1974 Hodges
 4,110,946 A * 9/1978 Louther, Jr. A47B 47/042
 312/264
 D258,256 S * 2/1981 Brown D6/657
 4,429,932 A * 2/1984 Brennan A47B 43/02
 229/120.36
 4,438,993 A * 3/1984 Rabas A47F 3/00
 16/267
 D274,203 S 6/1984 Everett
 D274,205 S * 6/1984 Kates D6/705
 D275,626 S * 9/1984 Moore D6/675.1
 D286,115 S * 10/1986 Evans D6/675.1
 D287,443 S 12/1986 Norling
 D290,204 S * 6/1987 Bruget D6/675.1
 D300,887 S 5/1989 Evans
 D301,413 S * 6/1989 Rosen D6/661
 D337,454 S * 7/1993 Short D6/661
 D341,776 S * 11/1993 Broyles D19/77
 5,265,729 A * 11/1993 Carlin A47F 5/005
 206/557
 D352,850 S 11/1994 Fujii
 5,464,103 A * 11/1995 O'Brien A47B 57/20
 211/133.3
 D365,706 S 1/1996 Campbell
 5,595,127 A * 1/1997 Eustace A47B 47/025
 108/109
 5,662,399 A * 9/1997 Henkel A47B 43/00
 108/107
 D393,963 S 5/1998 Mansour
 D396,581 S * 8/1998 Schubert D34/17
 D426,401 S * 6/2000 Conway, Jr. D6/661
 D464,498 S 10/2002 Riga et al.
 D491,744 S * 6/2004 Harwanko D6/657
 D492,860 S * 7/2004 Bertoncini D6/661
 D493,046 S * 7/2004 McDiarmid D6/661
 D531,835 S * 11/2006 Harwanko D6/662.1
 D568,632 S 5/2008 Suzuki
 7,374,047 B2 * 5/2008 Bryson A47F 5/116
 108/107
 D584,902 S 1/2009 Neff
 D589,536 S 3/2009 Seki
 D591,078 S 4/2009 Singler et al.
 D597,343 S * 8/2009 Thakur D6/683.1
 D599,581 S * 9/2009 Martinez D6/675
 D632,903 S 2/2011 Paul
 D637,421 S 5/2011 Theisen
 D637,422 S 5/2011 Theisen et al.
 D669,284 S * 10/2012 Canavan D7/675.4
 D675,846 S 2/2013 Monaldi et al.
 D712,176 S * 9/2014 Tamilarasan D6/515
 D722,459 S * 2/2015 Schluetter D6/675.3

D729,560 S 5/2015 Hamm
 D730,665 S 6/2015 Murakami et al.
 D733,088 S 6/2015 Garneau et al.
 D734,067 S 7/2015 Vogt
 D744,770 S 12/2015 Middendorf
 D752,369 S * 3/2016 Coleman D6/675
 D754,993 S * 5/2016 Nathan D6/675.3
 D756,137 S * 5/2016 Abelmann D6/336
 D757,127 S 5/2016 Rautavuori
 D758,105 S 6/2016 Taraczky
 D758,106 S 6/2016 Smeds
 D766,626 S * 9/2016 Peden D6/675.3
 D779,859 S 2/2017 Richardson et al.
 D781,622 S * 3/2017 Horsky D6/675.4
 D784,735 S 4/2017 Hirata
 D785,975 S 5/2017 Thaler et al.
 D785,994 S 5/2017 Brown et al.
 D806,447 S * 1/2018 Burton D6/657
 D806,448 S * 1/2018 Burton D6/657
 D815,864 S * 4/2018 Burton D6/675
 D843,139 S * 3/2019 Burton D6/672
 D844,349 S * 4/2019 Burton D6/672
 2004/0104187 A1 * 6/2004 McCain A47B 73/002
 211/75
 2006/0118502 A1 * 6/2006 Polvere A47F 5/112
 211/135
 2007/0125736 A1 * 6/2007 O'Reilly A47B 46/005
 211/186
 2015/0021286 A1 * 1/2015 Lo A47B 43/00
 211/195
 2015/0313359 A1 * 11/2015 Bennie A47B 47/0066
 211/135

FOREIGN PATENT DOCUMENTS

EM 002971739-0002 2/2016
 EM 002971739-0003 2/2016

OTHER PUBLICATIONS

<https://www.nbifixtures.com/kiosks/zagg-invisibleshield-kiosk-at-barton-creek-square/> (Year: 2019).*

<https://macmagazine.uol.com.br/2012/04/15/%E2%86%AA-apple-instala-novos-displays-promocionais-em-miniloja-dentro-do-walmart/> (Year: 2012).*

“Best Buy End-Cap”, InReality Marshall, Sep. 20, 2015, Retrieved from <https://web.archive.org/web/20150920010622/http://www.inreality.com/work/project/marshall-best-buy-display> on Jan. 31, 2017, 2 pages.

“ROBO 3D Introduces New Personal 3D Printers at Select Best Buy Locations”, Point of Purchase International Network, Dec. 1, 2015, <http://www.popin.net/robo-3d-introduces-new-personal-3d-printers-at-select-best-buy-locations/> on Jan. 31, 2017, 8 pages.

Hollen, Jim, “Point of Purchases Design for HD Digital Audio System—One of Our All-Time Coolest POP Displays”, Rich Limited, Apr. 26, 2016, retrieved from <http://blog.richltd.com/blog/point-of-purchase-design-for-hd-digital-audio-system-one-of-our-all-time-coolest-pop-displays> on Oct. 26, 2017, 8 pages.

Kready, Sean, “Chromebooks: best buy display: The (always) new computer”, goCHRoMEgle stuff, Jul. 23, 2012, Retrieved from <http://gochromeolestuff.blogspot.com/2012/07/chromebooks-best-buy-display-always-new.html> on Jan. 31, 2017, 5 pages.

Mick, Jason, “Fitbit’s \$249 Surge Fitness Watch Packs 7-Day Battery Life, Two Other Models Also Air”, Daily Tech, Oct. 27, 2014, retrieved from <http://www.dailytech.com/Fitbits+249+Surge+Fitness+Watch+Packs+7Day+Battery+Life+Two+Other+Models+Air/article36782.htm> on Oct. 26, 2017, 6 pages.

Mora, Sergio, “Samsung TV LCD Exhibition”, Aug. 9, 2014, Retrieved from <http://www.coroflot.com/sergiomora/SAMSUNG-TV-LCD-EXHIBITION> on Jan. 31, 2017, 3 pages.

* cited by examiner

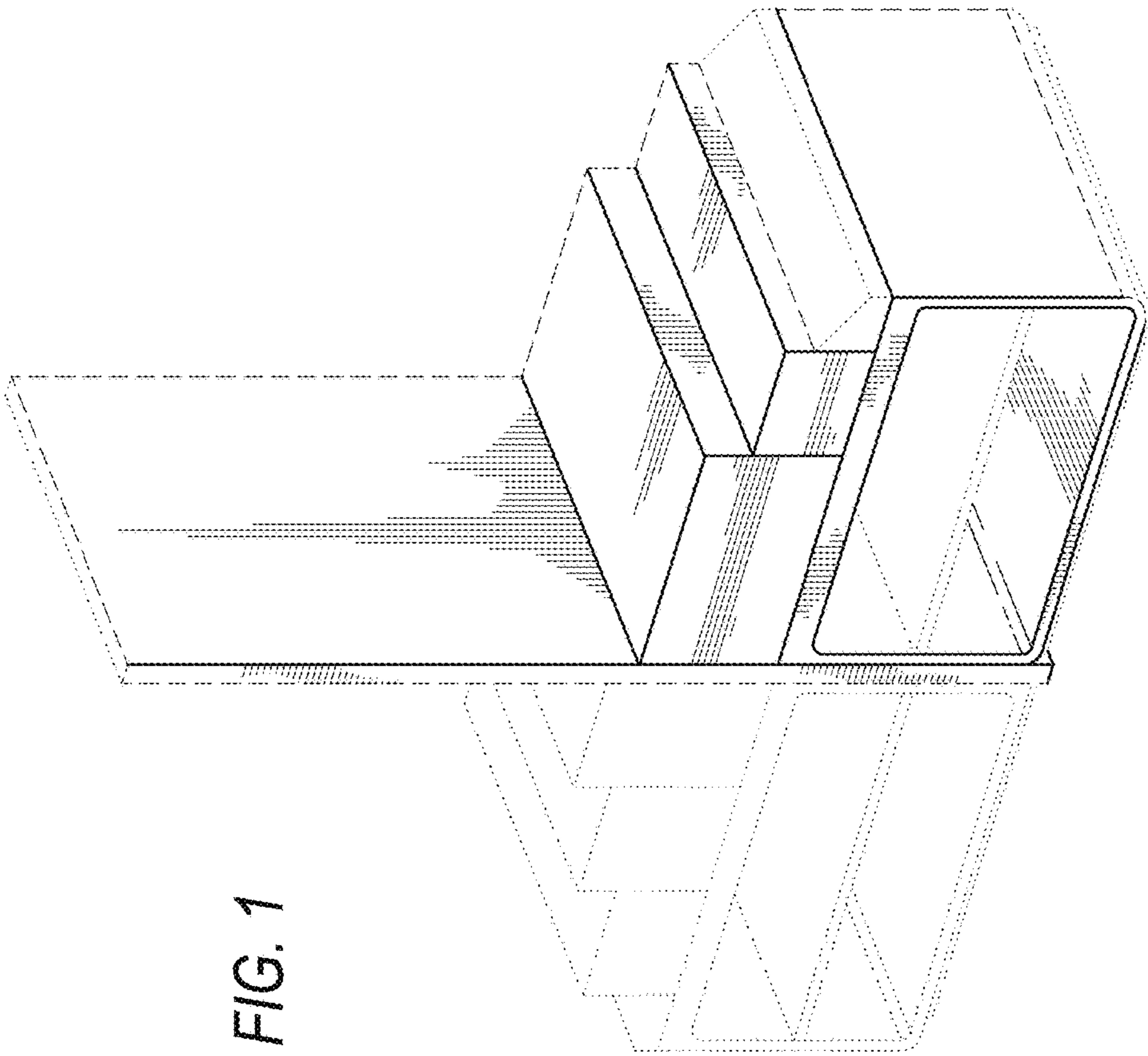


FIG. 1

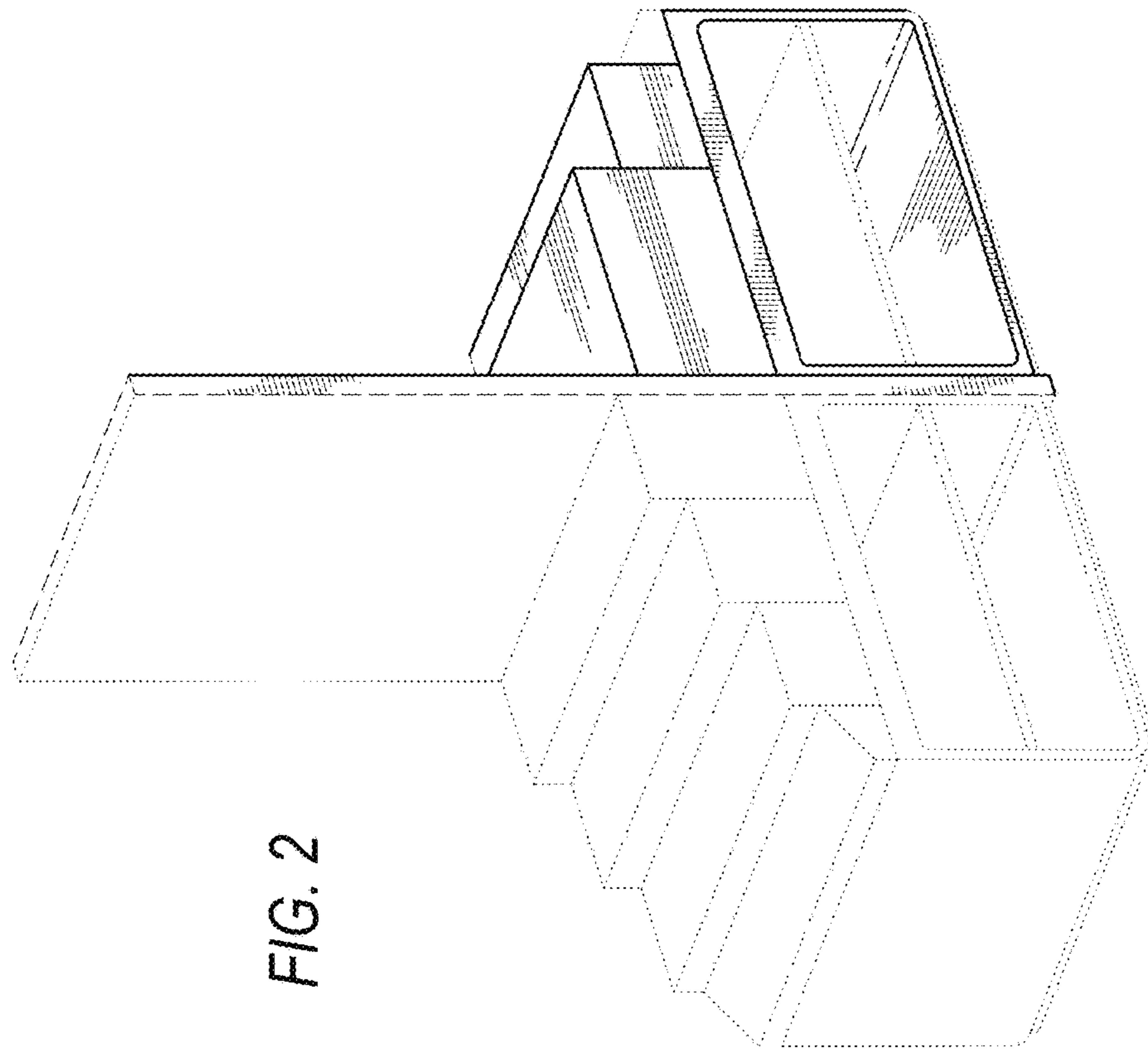


FIG. 2

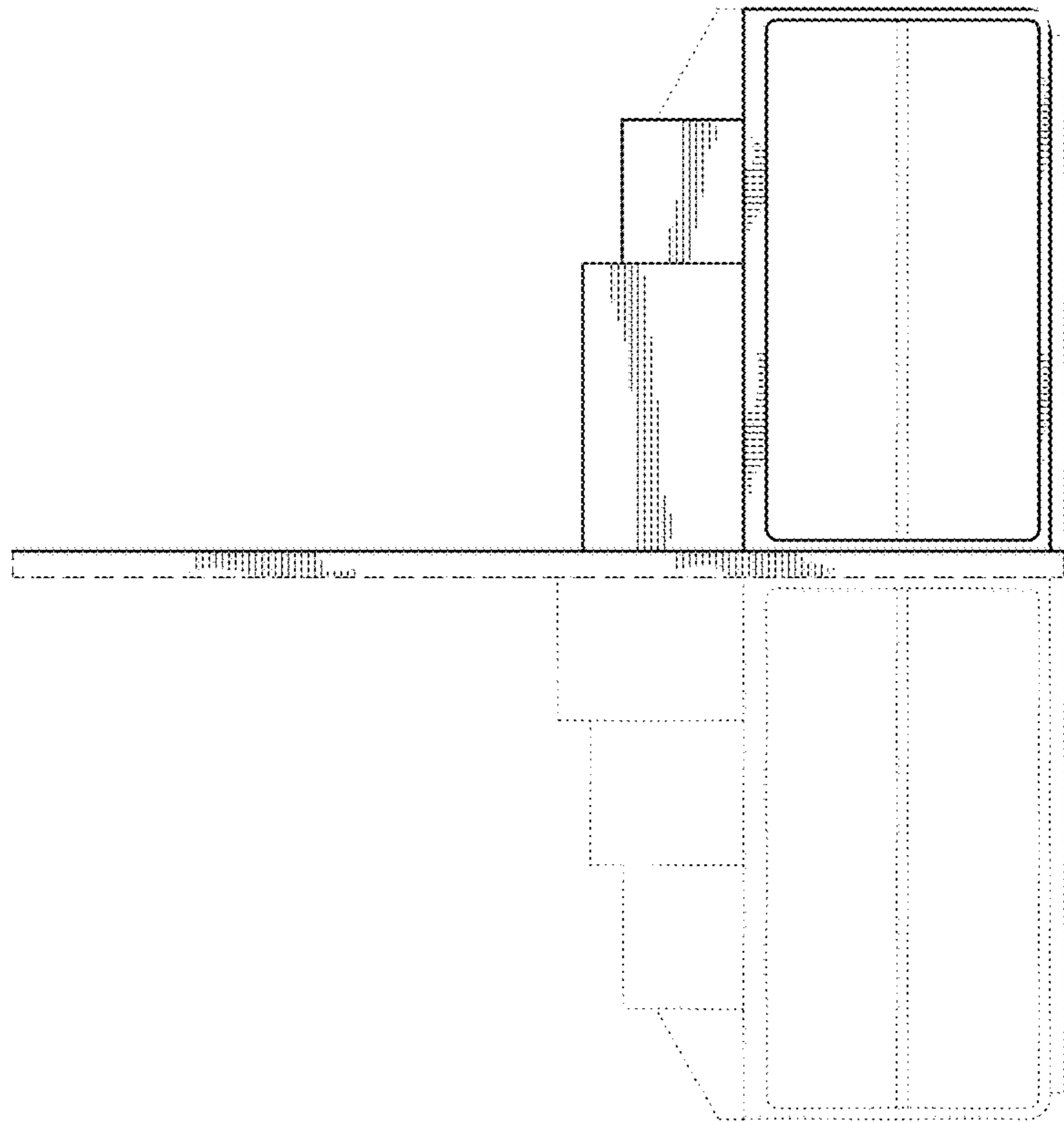


FIG. 4

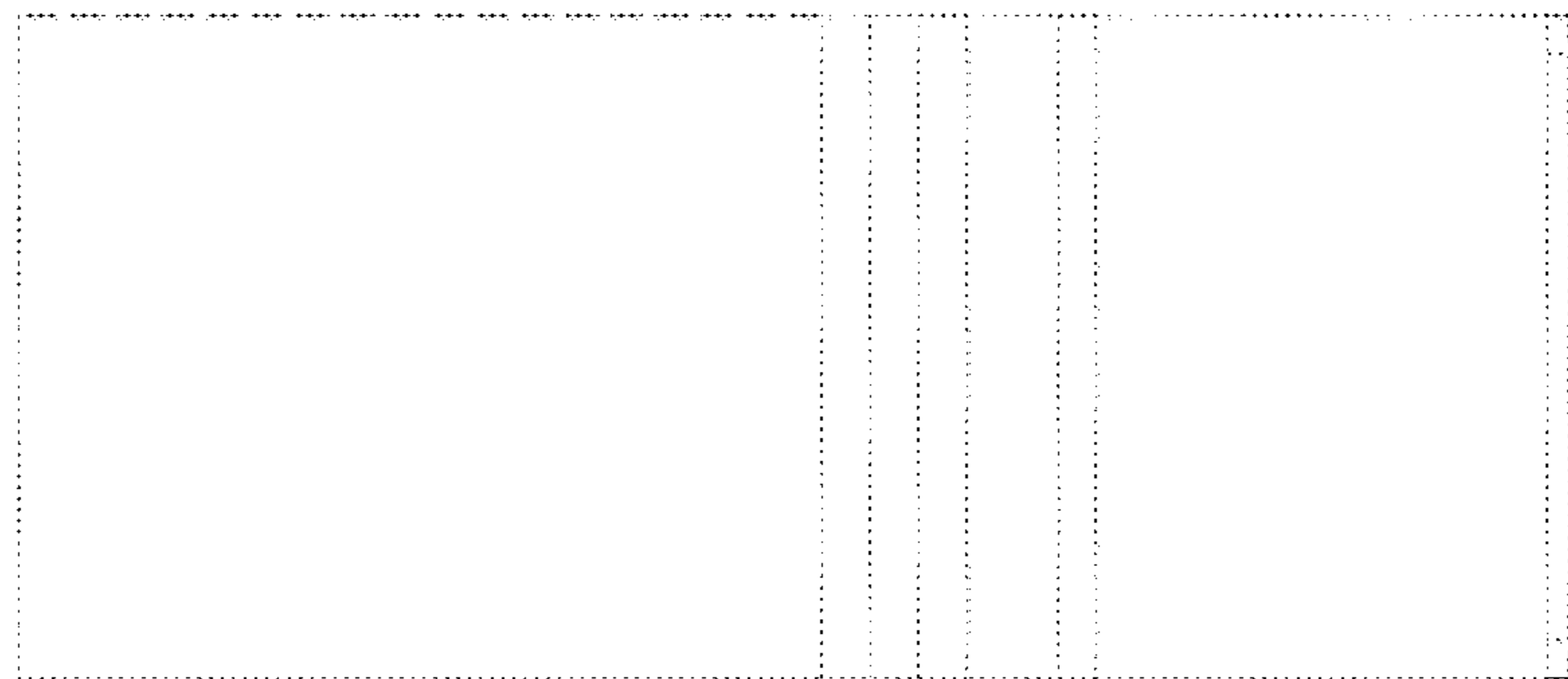


FIG. 3

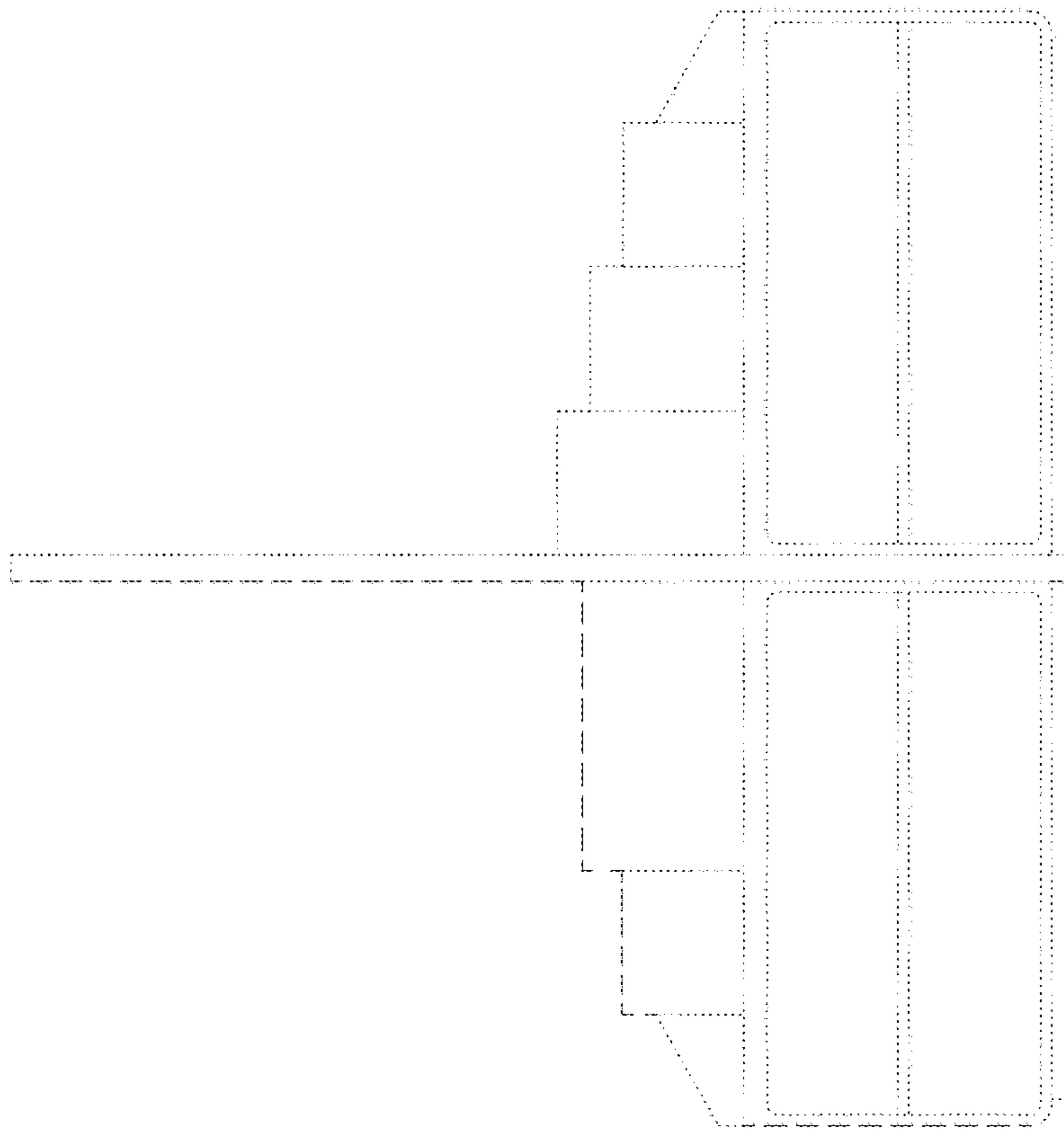


FIG. 6

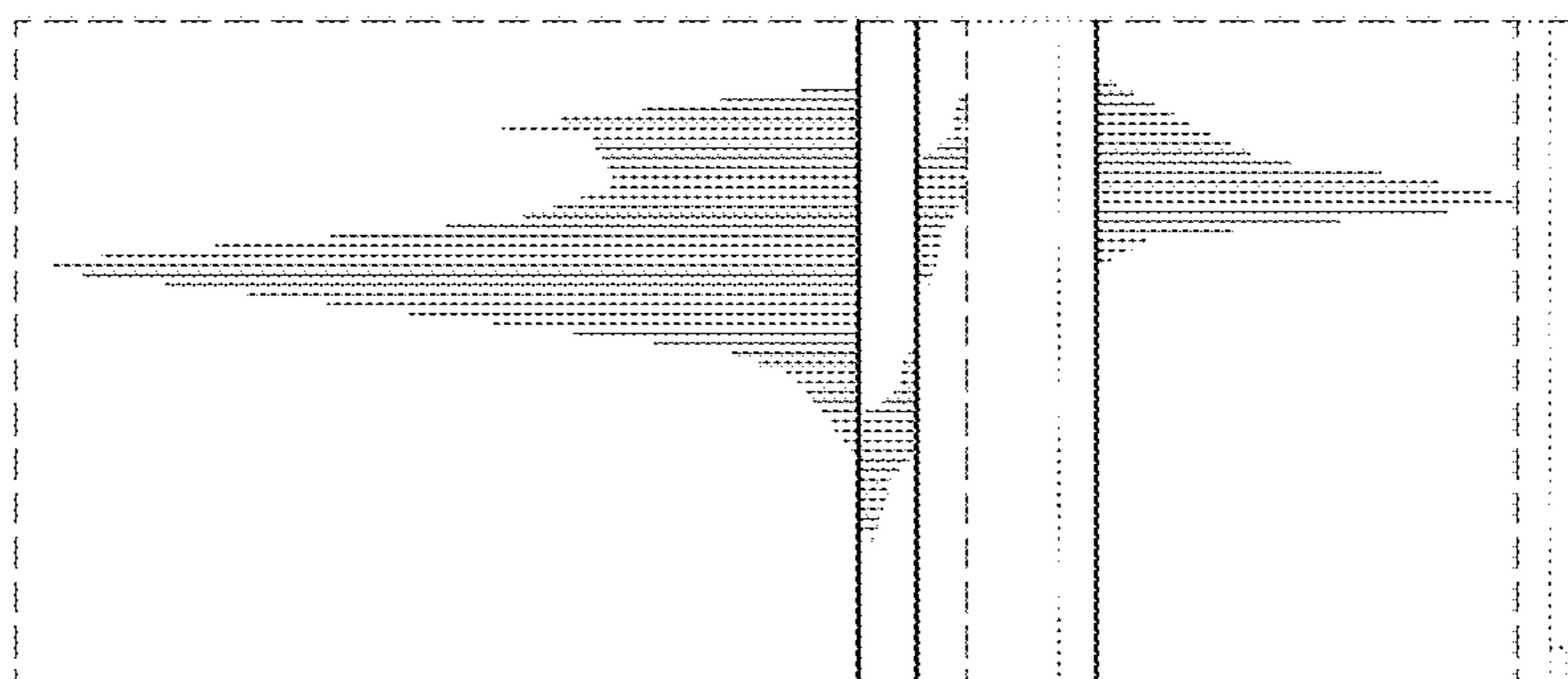


FIG. 5

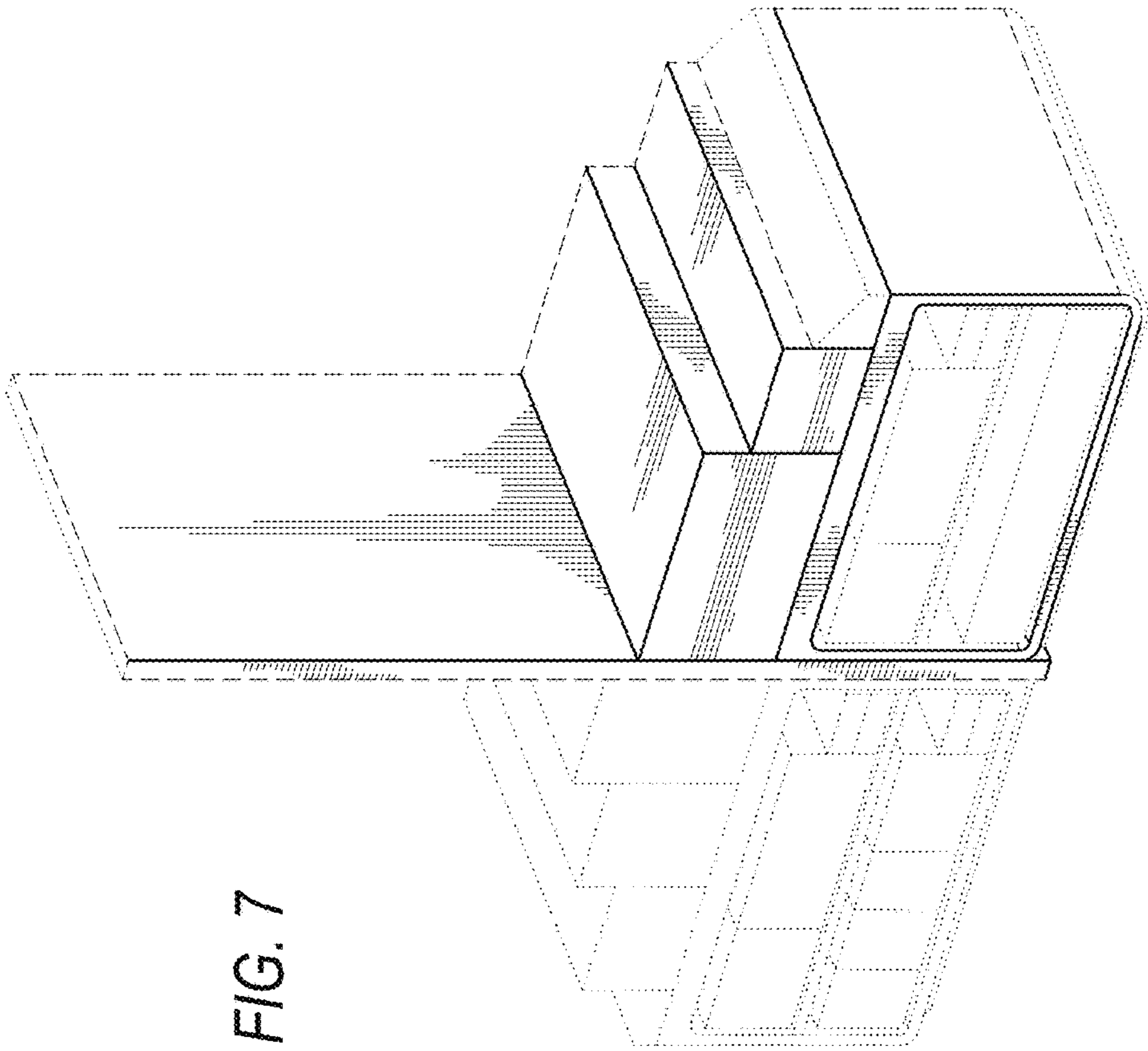


FIG. 7

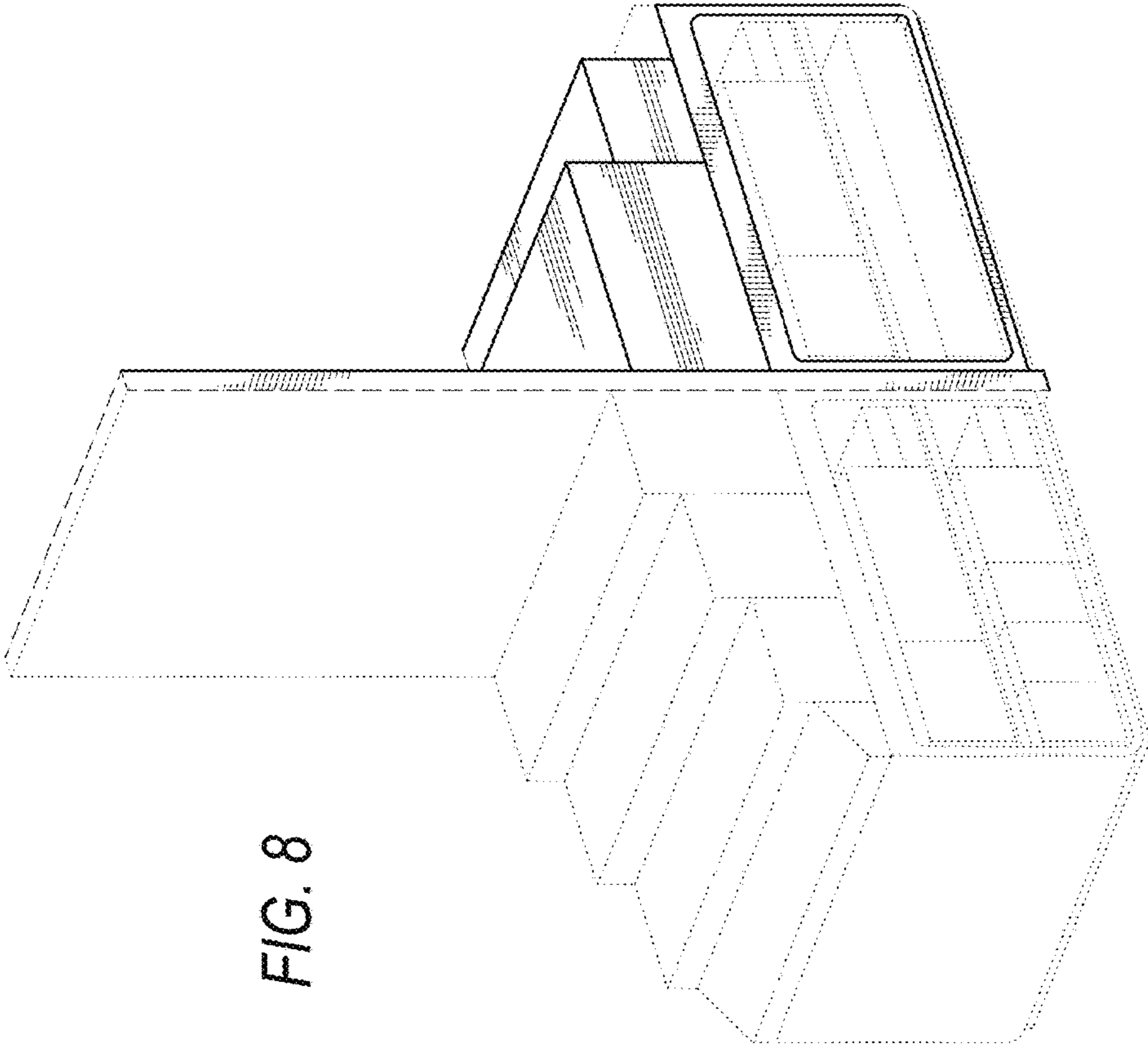


FIG. 8

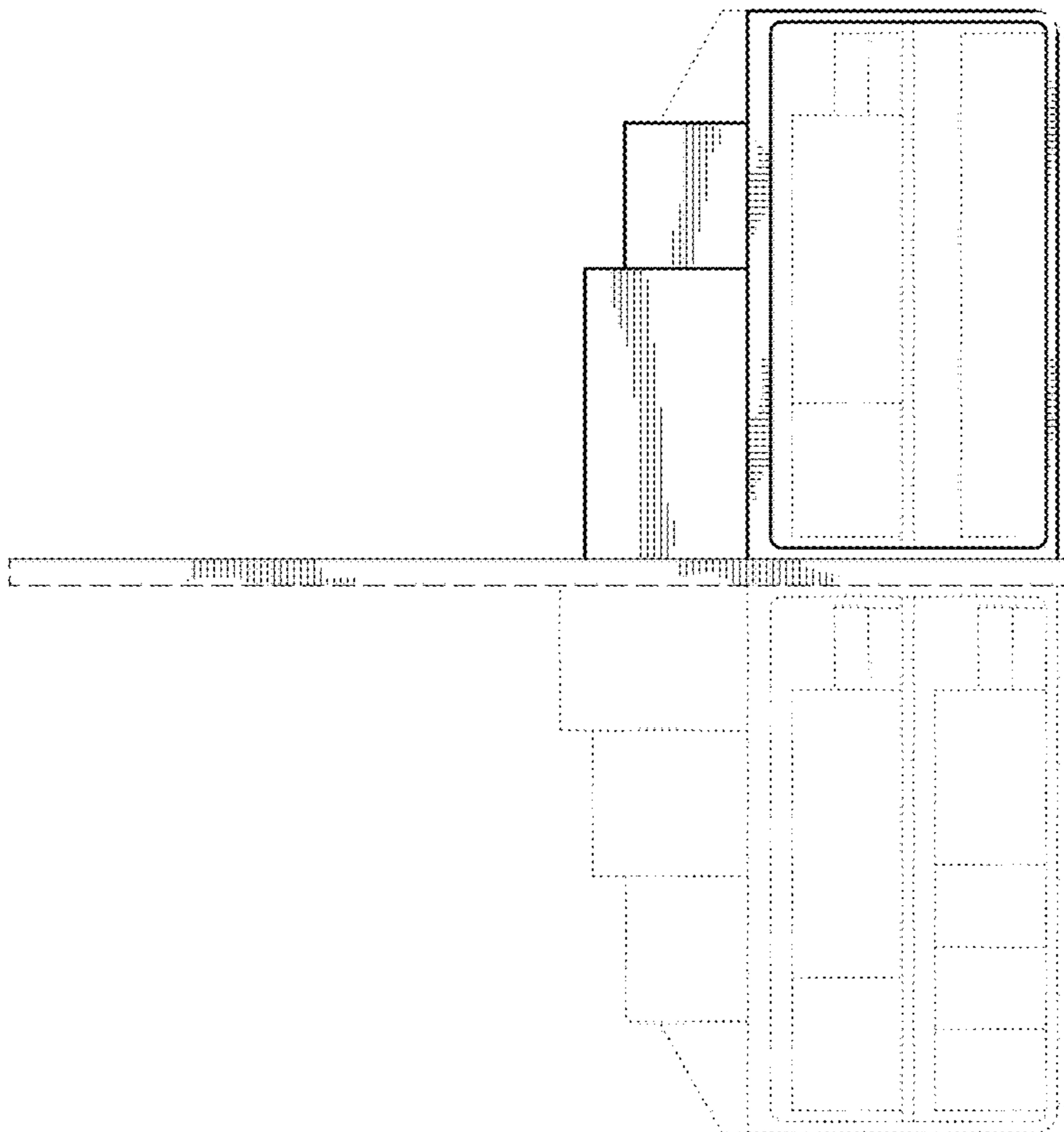


FIG. 10

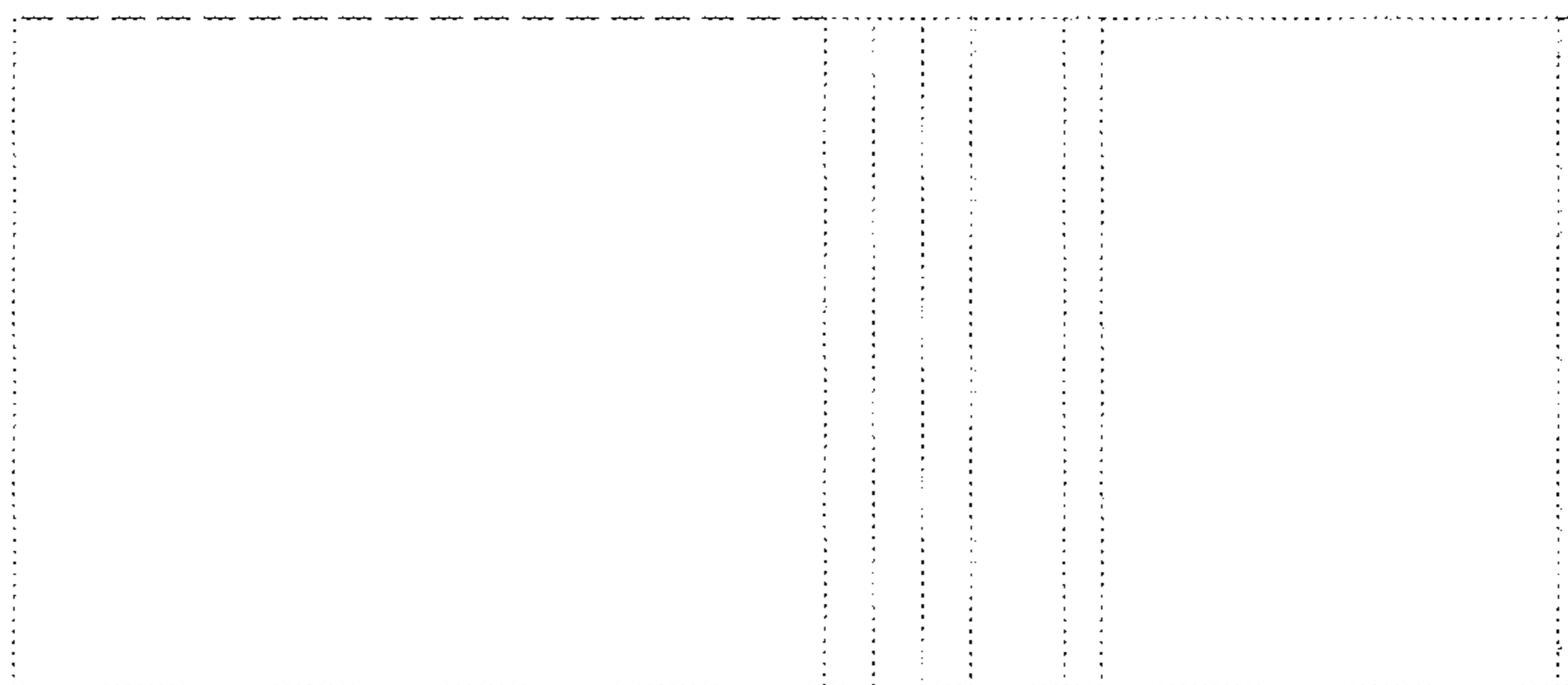


FIG. 9

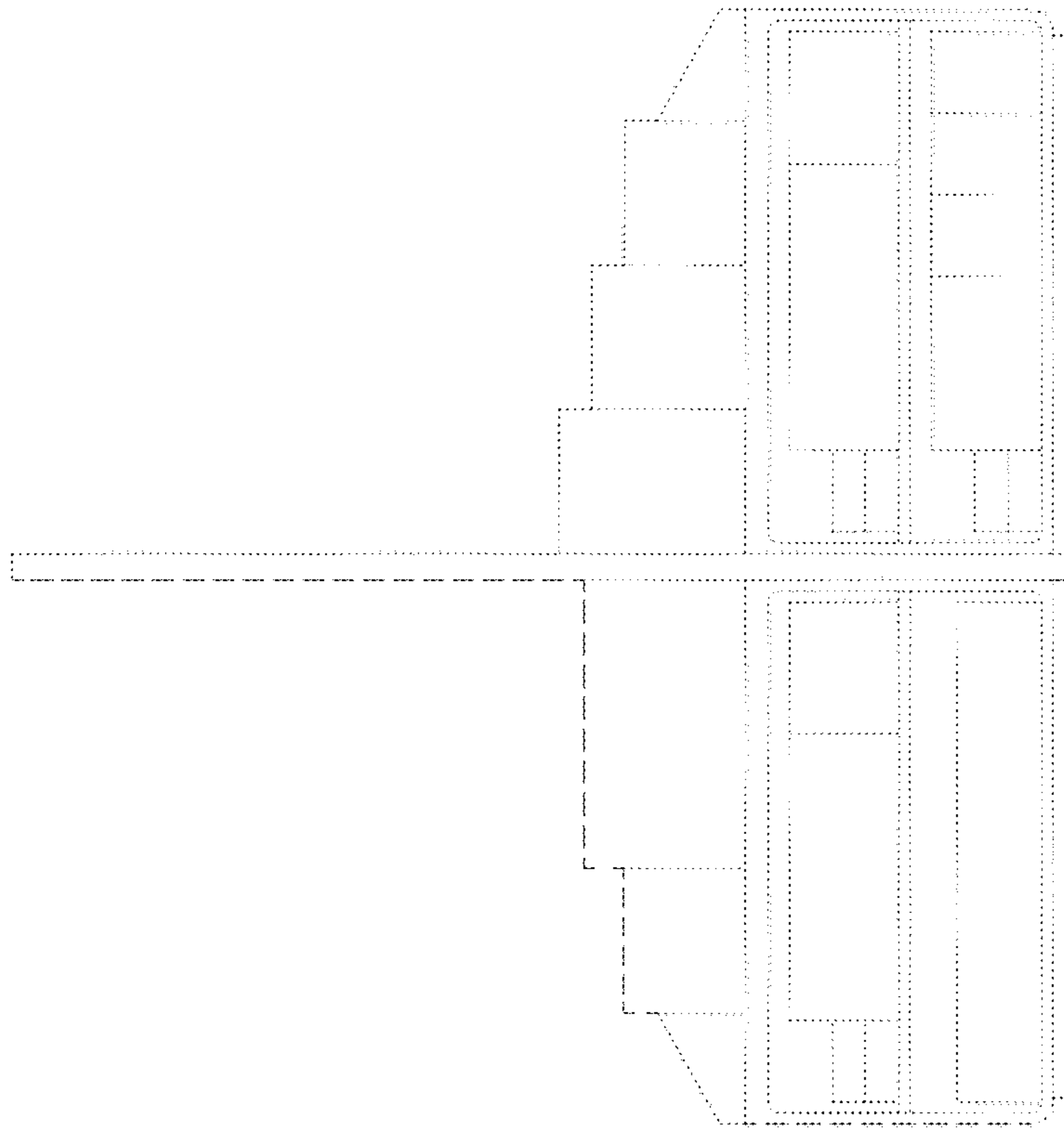


FIG. 12

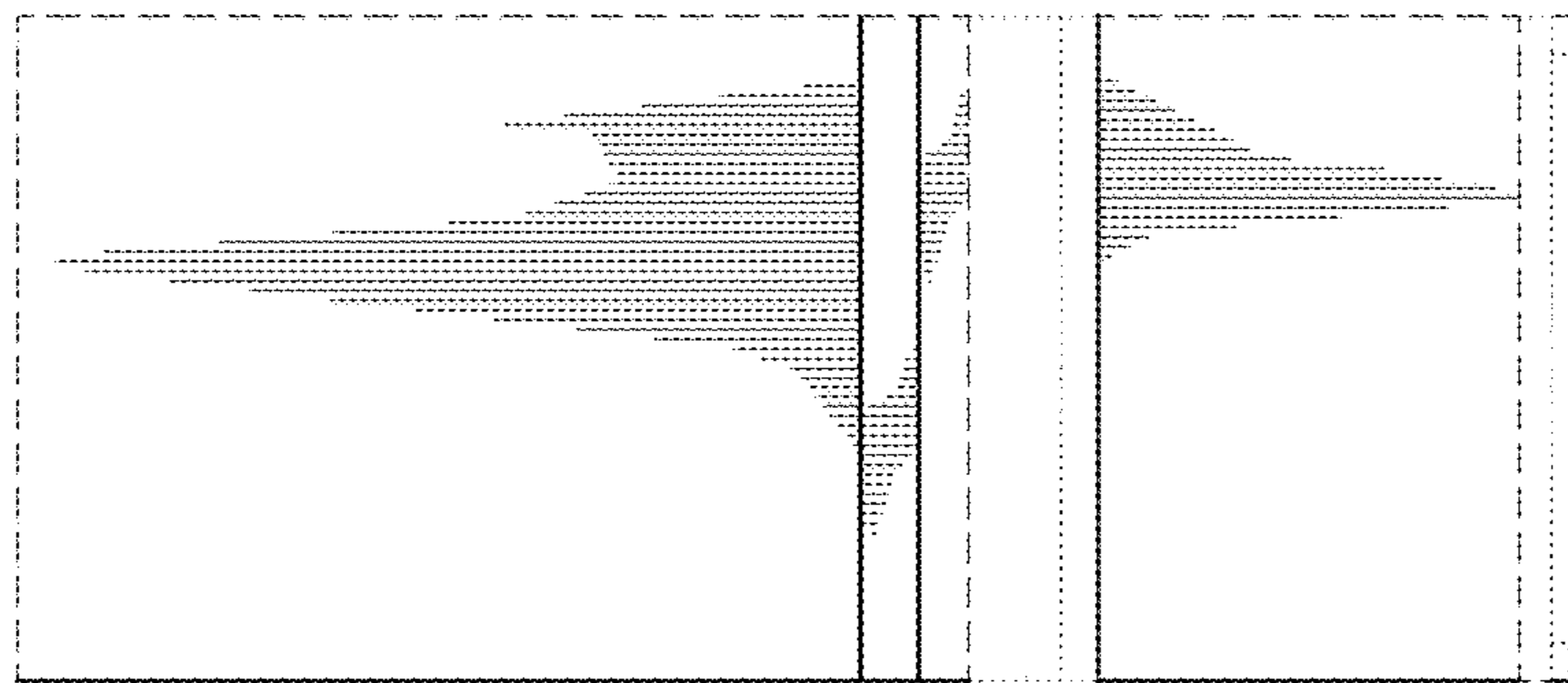


FIG. 11