



US00D866224S

(12) **United States Design Patent** (10) **Patent No.:** **US D866,224 S**
Birch (45) **Date of Patent:** **** Nov. 12, 2019**

(54) **NIGHTSTAND**
(71) Applicant: **RH US, LLC**, Corte Madera, CA (US)
(72) Inventor: **John Birch**, New York, NY (US)
(73) Assignee: **RH US, LLC**, Corte Madera, CA (US)
(**) Term: **15 Years**
(21) Appl. No.: **29/634,794**

D440,071 S * 4/2001 Hutton D6/671.1
D440,074 S * 4/2001 Hutton D6/671.1
D528,824 S * 9/2006 Grosfillex D6/671
D528,827 S * 9/2006 Becker D6/661
D529,309 S * 10/2006 Juneau D6/657
D531,426 S * 11/2006 Netto D6/657
D533,373 S * 12/2006 Juneau D6/675.1
D533,731 S * 12/2006 Boerner D6/657
D534,009 S * 12/2006 Juneau D6/657
D604,959 S * 12/2009 Good D6/657
D611,734 S * 3/2010 Stukenberg D6/691.8
D744,265 S * 12/2015 Wang D6/705.3

* cited by examiner

(22) Filed: **Jan. 24, 2018**
(51) **LOC (12) Cl.** **06-04**
(52) **U.S. Cl.**
USPC **D6/657**
(58) **Field of Classification Search**
USPC D6/407, 657, 661, 663, 664, 664.1,
D6/668.2, 671, 671.1, 671.4, 675, 675.1,
D6/675.5, 683.1, 691.1, 691.8, 691.9,
D6/702, 703; D14/168, 184; D15/85;
D8/310; D23/342, 284, 285, 286, 300,
D23/293.1; D13/184
CPC ... A47B 47/024; A47B 87/008; A47B 87/002;
A47B 88/48; A47B 88/90; A47B
2210/19; A47B 47/04; A47B 67/04; A47B
87/00; A47B 88/00; A47B 88/75; A47F
3/0413; A47F 5/116; A47F 5/0018; A47F
9/00; A47F 7/02; Y10T 428/24694; F25D
21/14; F25D 23/069; F25D 2400/10;
E05B 65/463

See application file for complete search history.

(56) **References Cited**

U.S. PATENT DOCUMENTS

3,093,428 A * 6/1963 Lanier A47B 88/48
312/327
D255,519 S * 6/1980 Friedman D6/691.9
D293,523 S * 1/1988 Handler D6/666

Primary Examiner — Kevin K Rudzinski
Assistant Examiner — Paul D Bohannon
(74) *Attorney, Agent, or Firm* — Lewis Roca Rothgerber
Christie LLP

(57) **CLAIM**

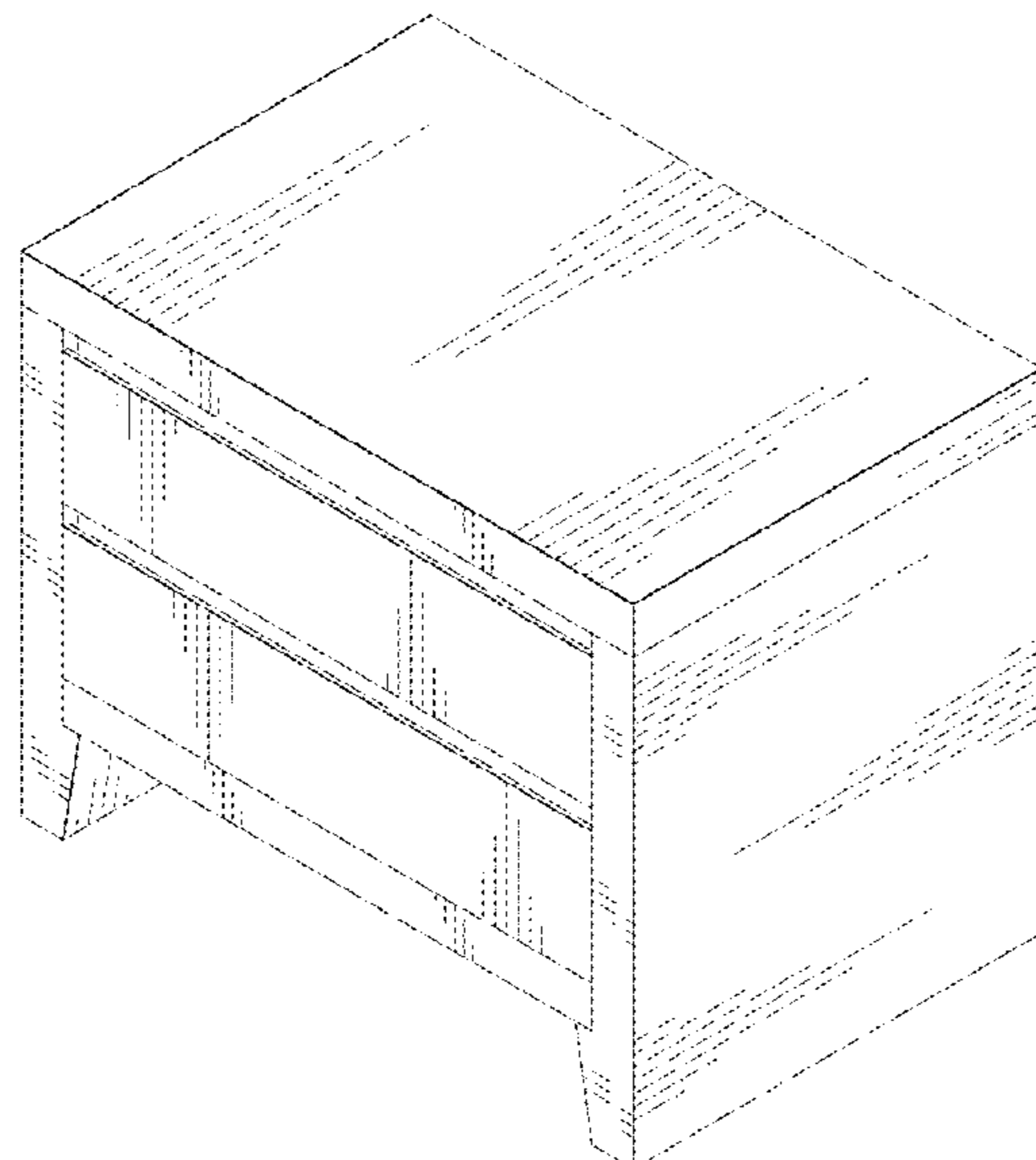
The ornamental design for a nightstand, as shown and described.

DESCRIPTION

FIG. 1 is a front and right side perspective view of an exemplary nightstand showing my new design;
FIG. 2 is a front elevation view thereof;
FIG. 3 is a right side elevation view thereof, the left side being a mirror image;
FIG. 4 is a top plan view thereof;
FIG. 5 is a front and right side perspective view of another exemplary nightstand showing my new design;
FIG. 6 is a front elevation view thereof;
FIG. 7 is a right side elevation view thereof, the left side being a mirror image; and,
FIG. 8 is a top plan view thereof.

The wavy break lines in the drawings show a symbolic break in length, and portions of the article shown in between the break lines form no part of the claimed design.

1 Claim, 8 Drawing Sheets



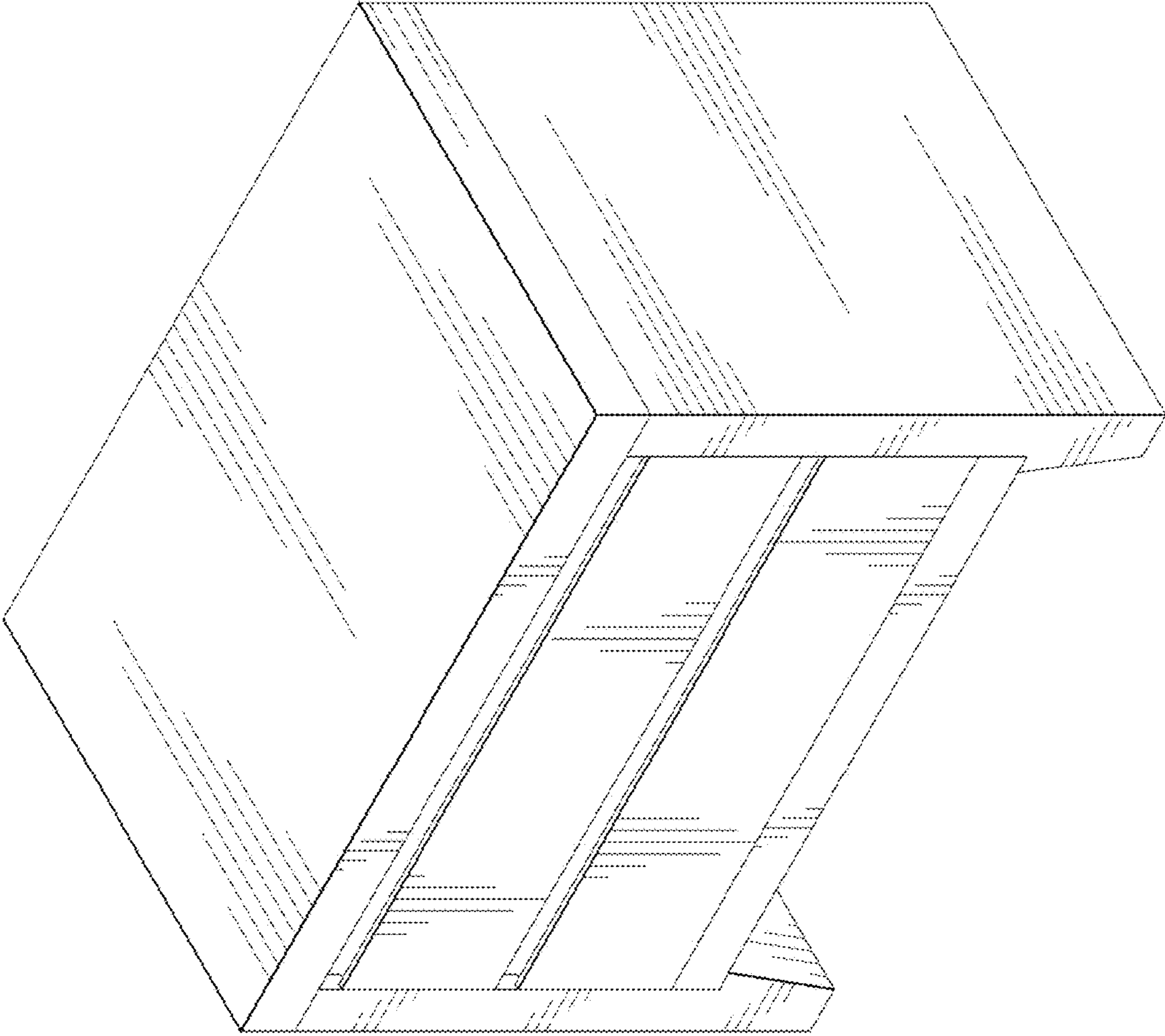


FIG. 1

FIG. 2

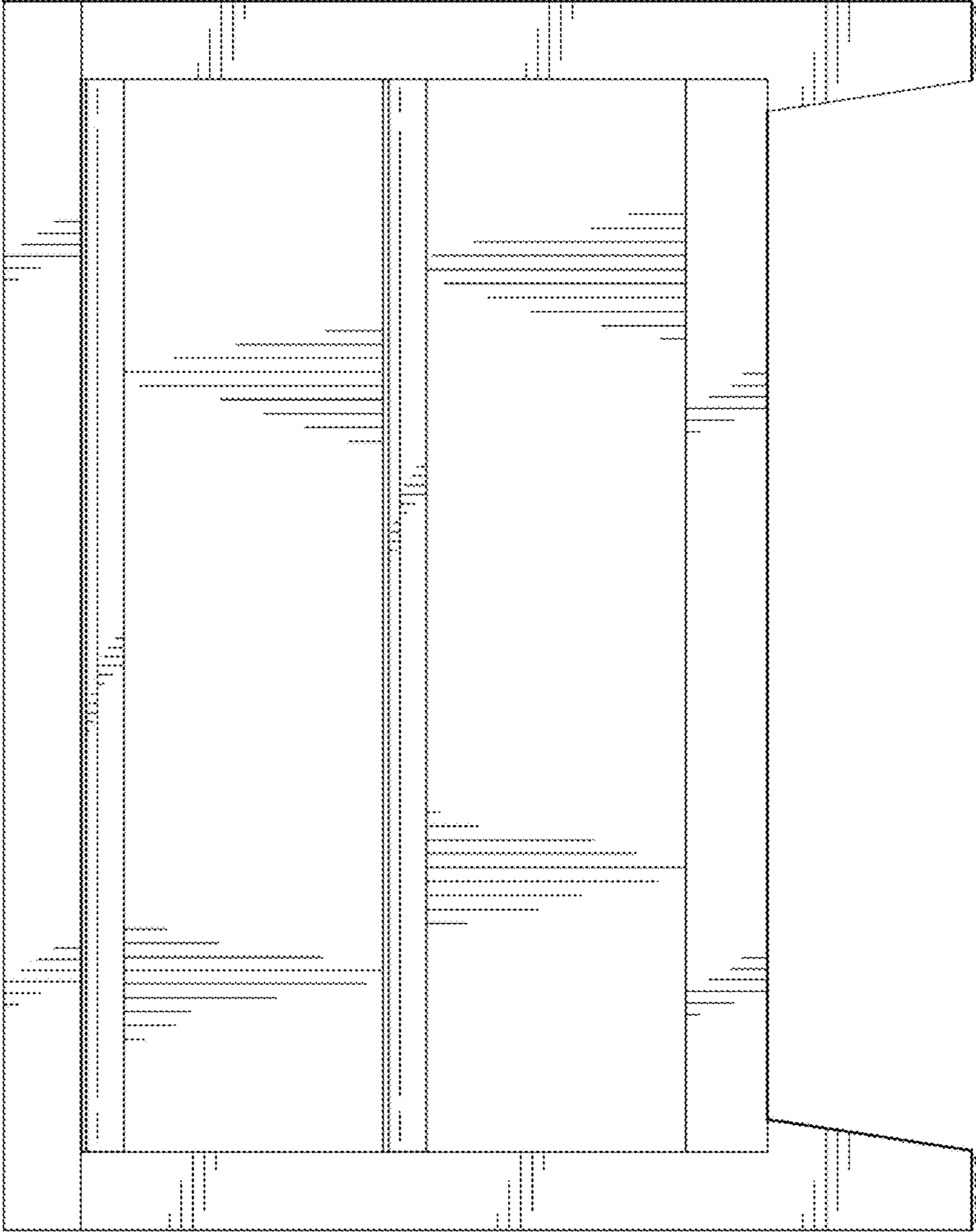


FIG. 3

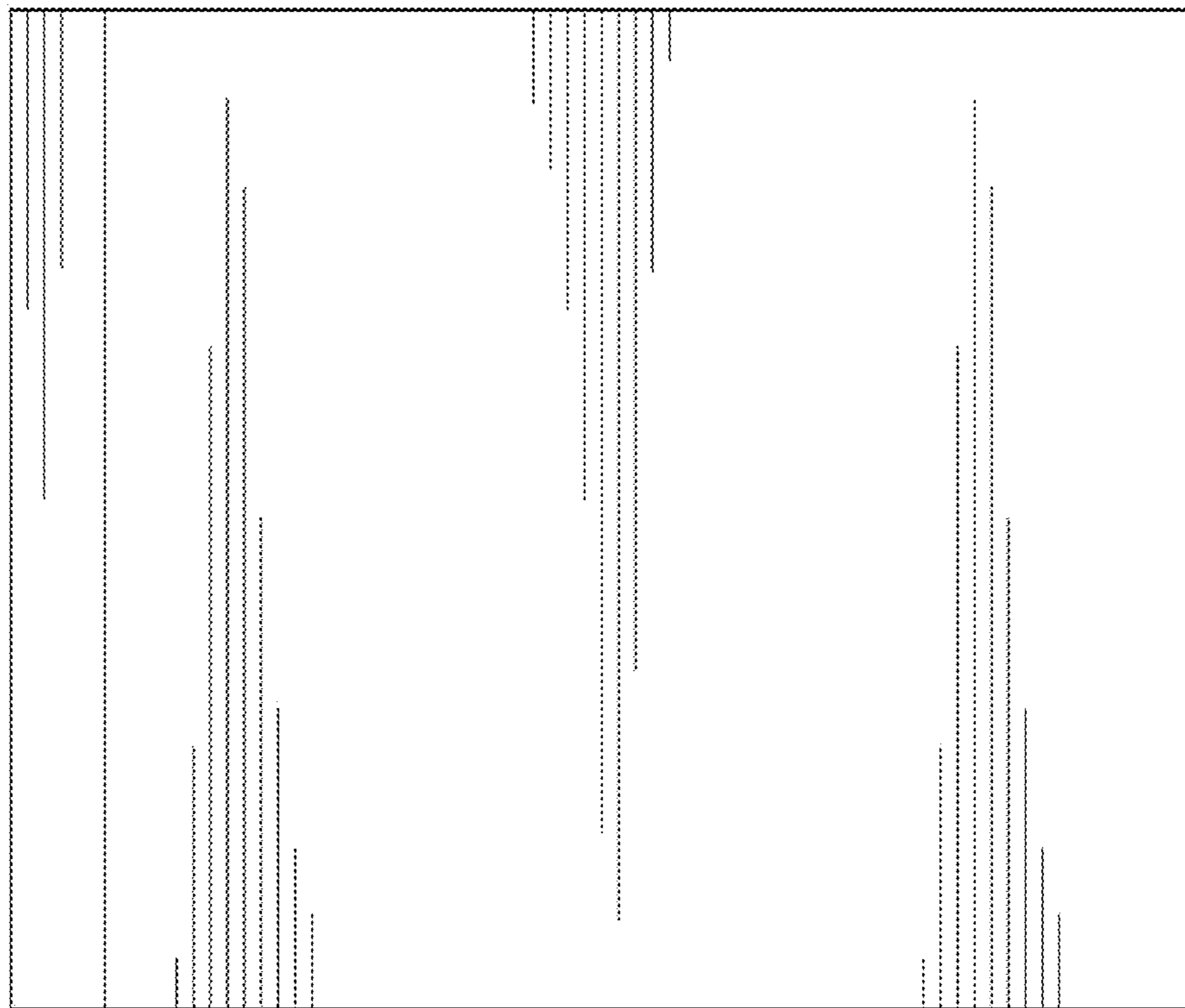
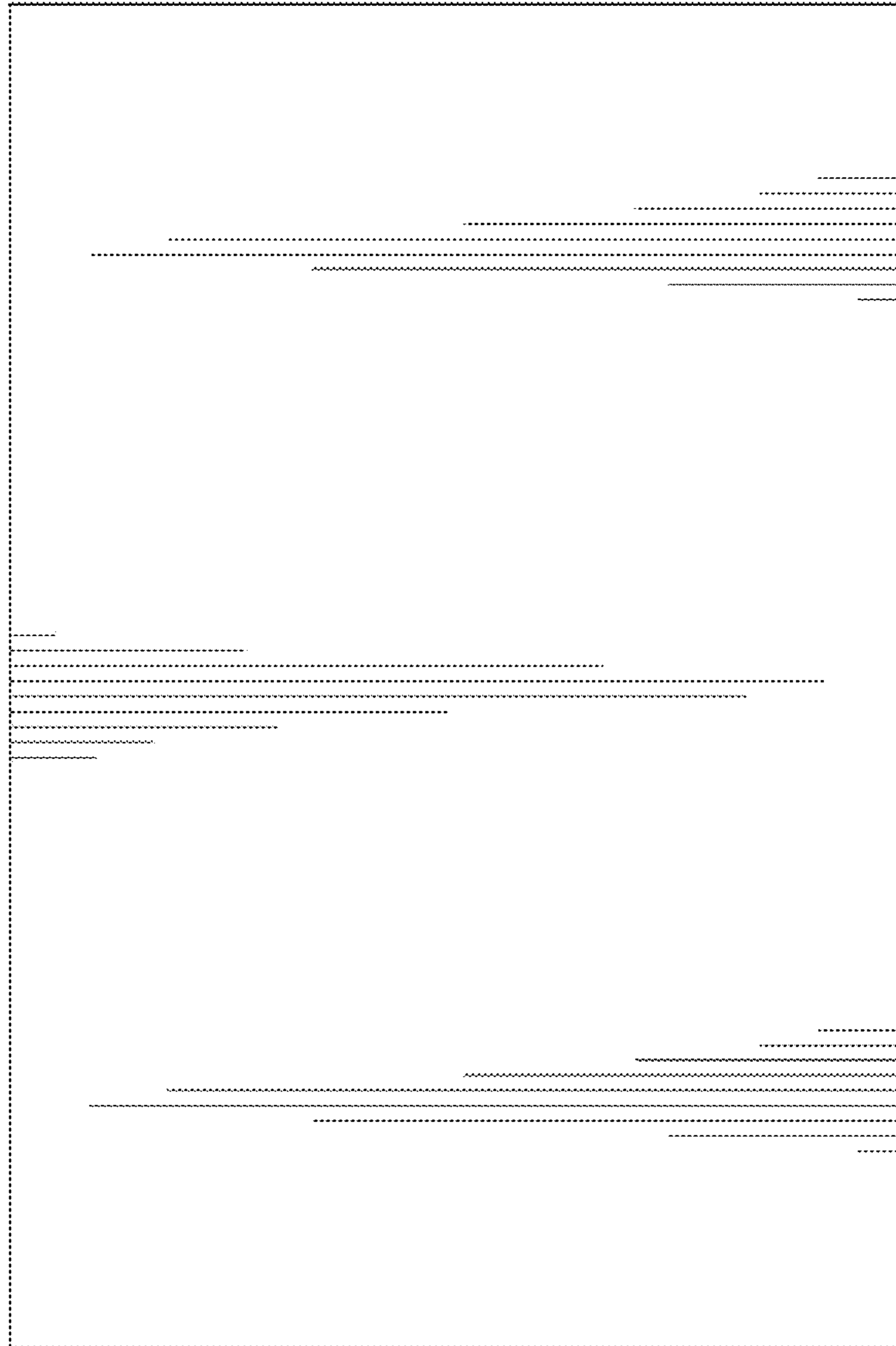


FIG. 4



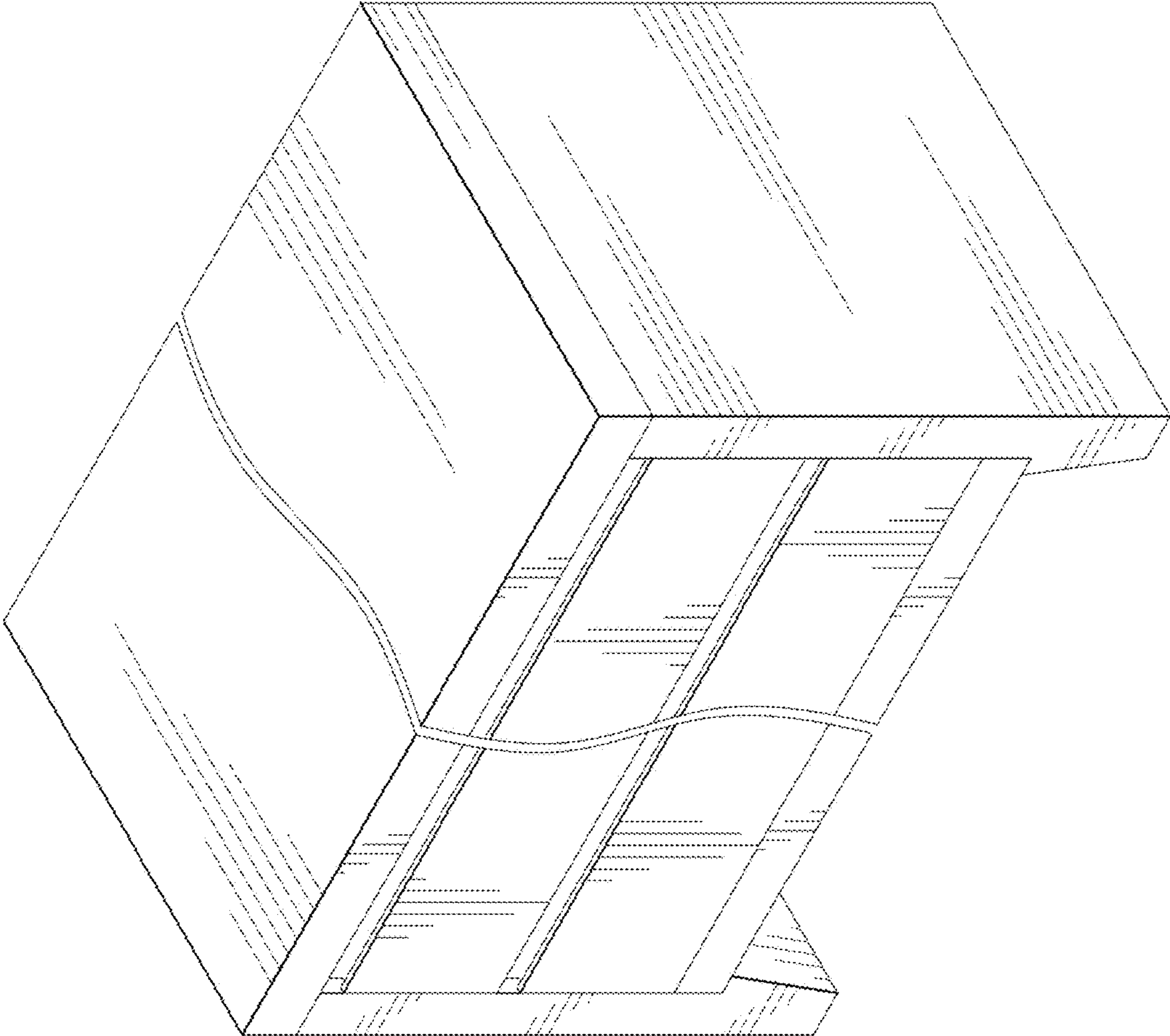


FIG. 5

FIG. 6

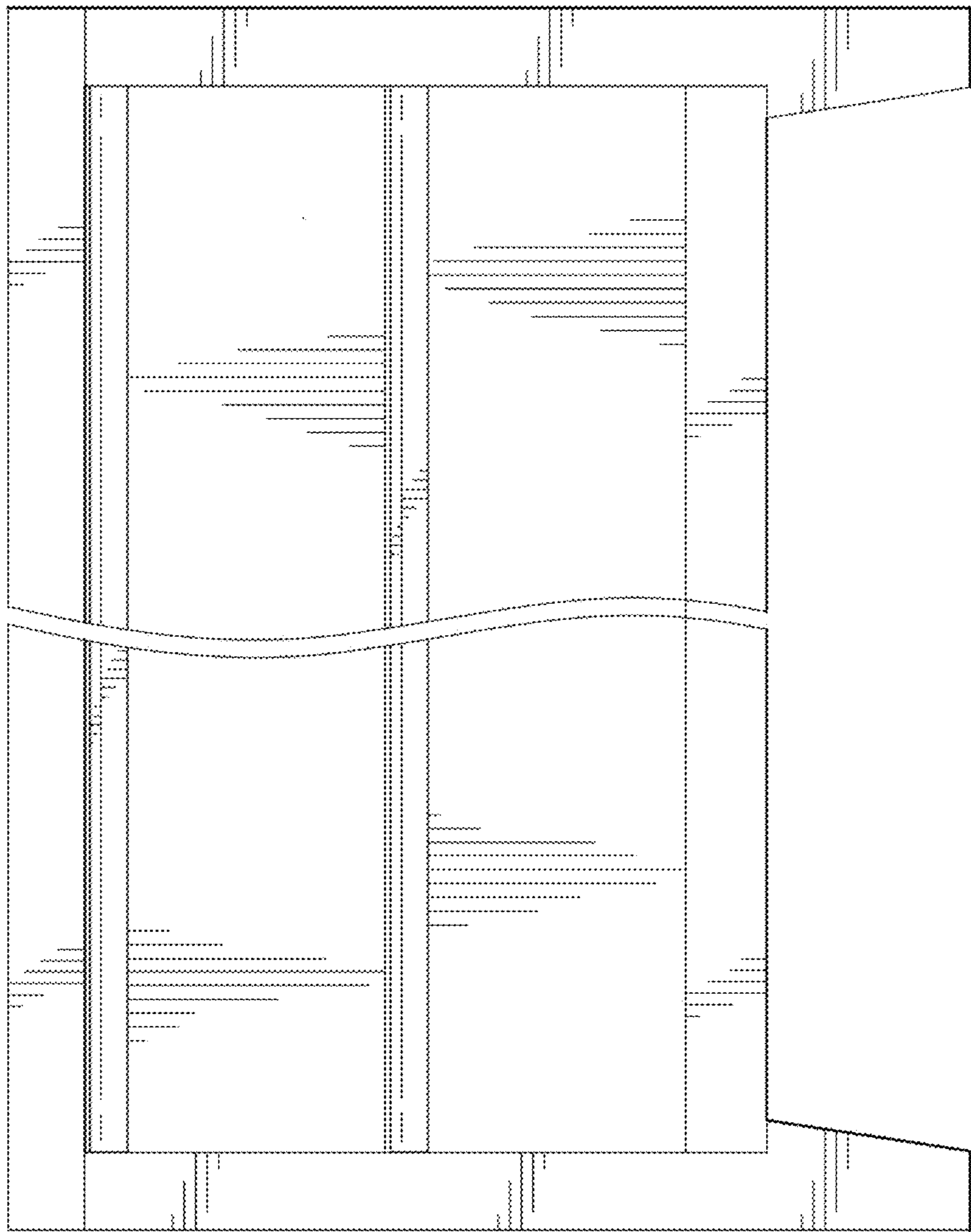


FIG. 7

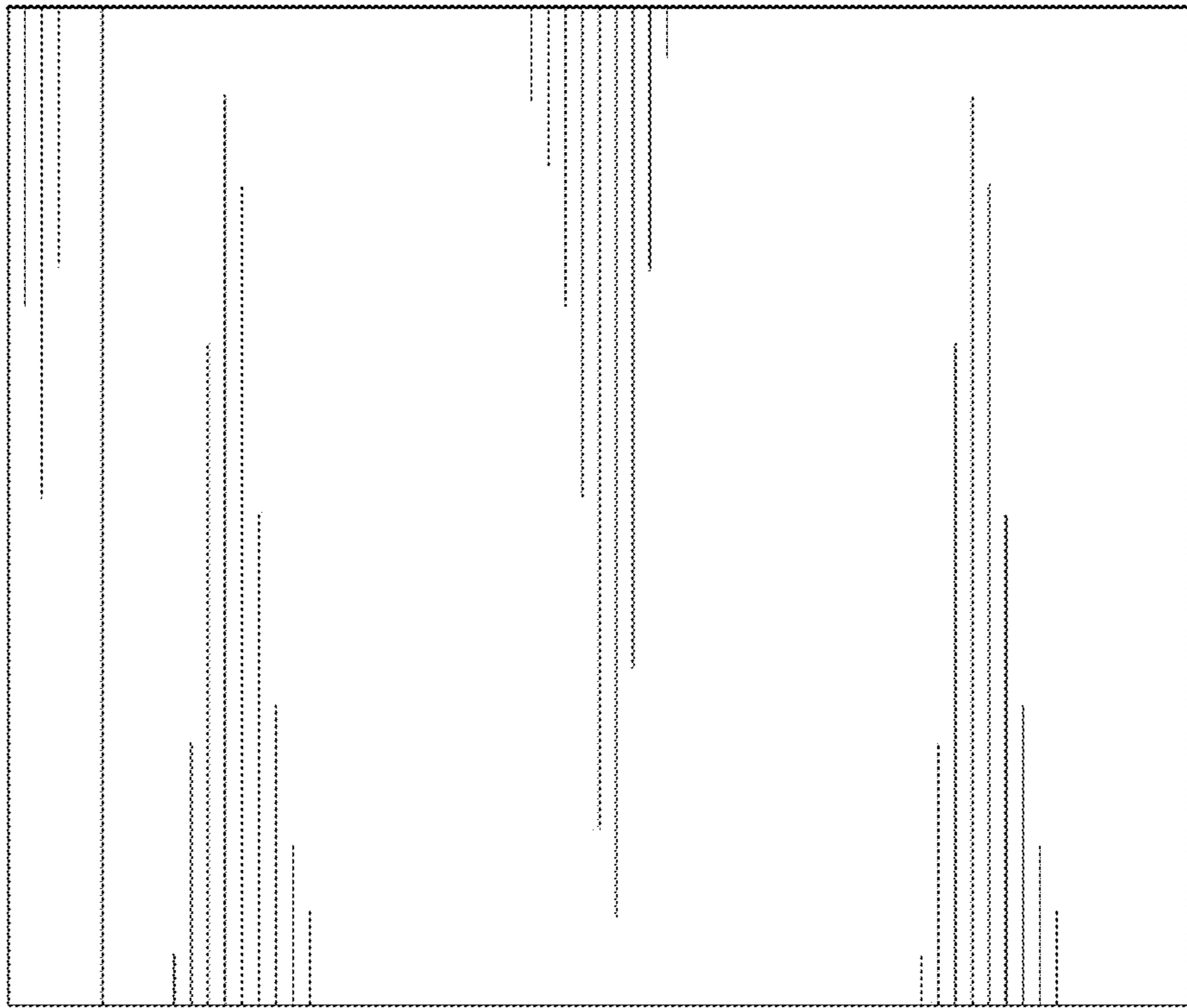


FIG. 8

