



US00D866223S

(12) **United States Design Patent** (10) **Patent No.:** **US D866,223 S**  
**Williams et al.** (45) **Date of Patent:** **\*\* Nov. 12, 2019**

(54) **MATTRESS COVER**

D182,349 S \* 3/1958 Alvord ..... D25/154  
D413,731 S \* 9/1999 Hannington ..... D5/61  
D419,781 S \* 2/2000 Pratt ..... D5/53

(71) Applicant: **Tempur World, LLC**, Lexington, KY  
(US)

(Continued)

(72) Inventors: **Martha Williams**, Jamestown, NC  
(US); **Christina Pollock**, Greensboro,  
NC (US)

FOREIGN PATENT DOCUMENTS

EM 006017034-0001 \* 2/2019  
EM 006017034-0002 \* 2/2019

(73) Assignee: **Tempur World, LLC**, Lexington, KY  
(US)

OTHER PUBLICATIONS

(\*\*) Term: **15 Years**

Tempurpedic Adapt Med Mattress Expert Review, reviewed Apr. 30, 2018, [online], [site visited Jun. 18, 2019]. Available from YouTube, URL: [https://www.youtube.com/watch?v=X1eB\\_pvNQJw](https://www.youtube.com/watch?v=X1eB_pvNQJw) (Year: 2018).\*

(21) Appl. No.: **29/656,611**

(22) Filed: **Jul. 13, 2018**

*Primary Examiner* — Michelle E. Wilson

(51) **LOC (12) Cl.** ..... **06-09**

*Assistant Examiner* — Sanjeev Paul

(52) **U.S. Cl.**  
USPC ..... **D6/605**

(74) *Attorney, Agent, or Firm* — Middleton Reutlinger

(58) **Field of Classification Search**

(57) **CLAIM**

USPC ..... D6/333, 349, 355, 375, 388, 512, 563,  
D6/564, 595, 596, 601, 604, 611, 707,  
D6/715, 716, 716.1; D24/183–185, 234;  
D21/803, 804, 805, 809; 5/401, 420,  
5/600, 630, 631, 632, 633, 635, 636, 638,  
5/639, 646, 652, 652.1, 655, 703, 730;  
297/1, 2, 4, 93, 180.11, 195.1, 195.11,  
297/195.13, 393, 397, 452.12, 452.14,  
297/452.15, 452.21, 452.24, 452.26,  
297/452.48, 452.62, 482

The ornamental design for a mattress cover, as shown and described.

CPC ..... A47G 9/10; A47G 9/1009; A47G 9/1027;  
A47G 9/1045; A47G 9/1063; A47G  
9/1072; A47G 9/1081

**DESCRIPTION**

See application file for complete search history.

FIG. 1 is a first perspective view of a mattress cover design; FIG. 2 is a front elevational view of the mattress cover design of FIG. 1; FIG. 3 is a rear elevational view of the mattress cover design of FIG. 1; FIG. 4 is a right side elevational view of the mattress cover design of FIG. 1; FIG. 5 is a left side elevational view of the mattress cover design of FIG. 1; FIG. 6 is a top view of the mattress cover design of FIG. 1; and, FIG. 7 is a bottom view of the mattress cover design of FIG. 1.

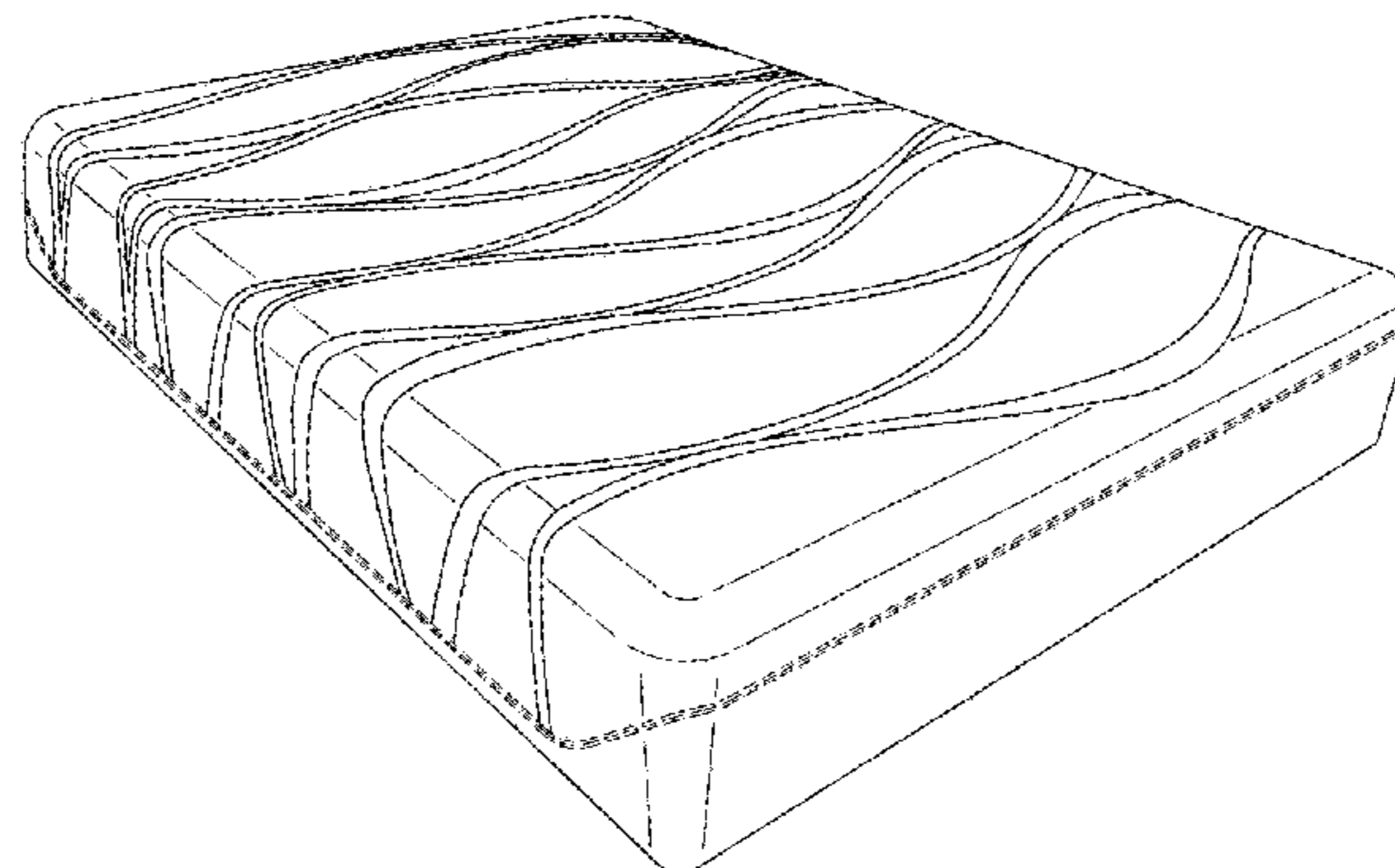
(56) **References Cited**

The broken line disclosure represents unclaimed portions of the mattress cover in which the design is embodied.

U.S. PATENT DOCUMENTS

D37,358 S \* 2/1905 Haslup ..... D5/59  
D63,092 S \* 10/1923 Vandergaw ..... D5/57  
D89,649 S \* 4/1933 Megroz ..... D5/7  
D113,261 S \* 2/1939 Fassler ..... D6/603

**1 Claim, 5 Drawing Sheets**





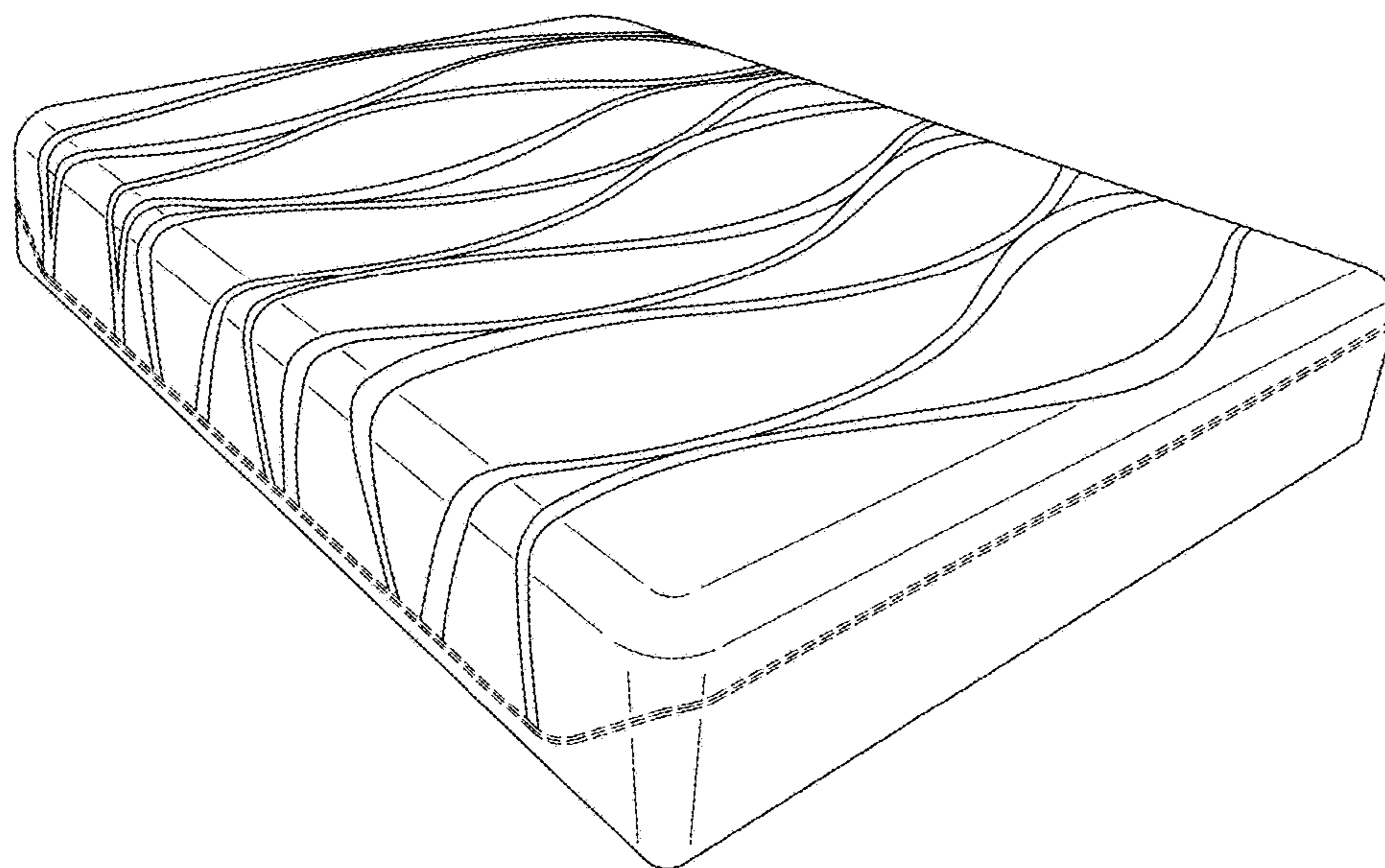
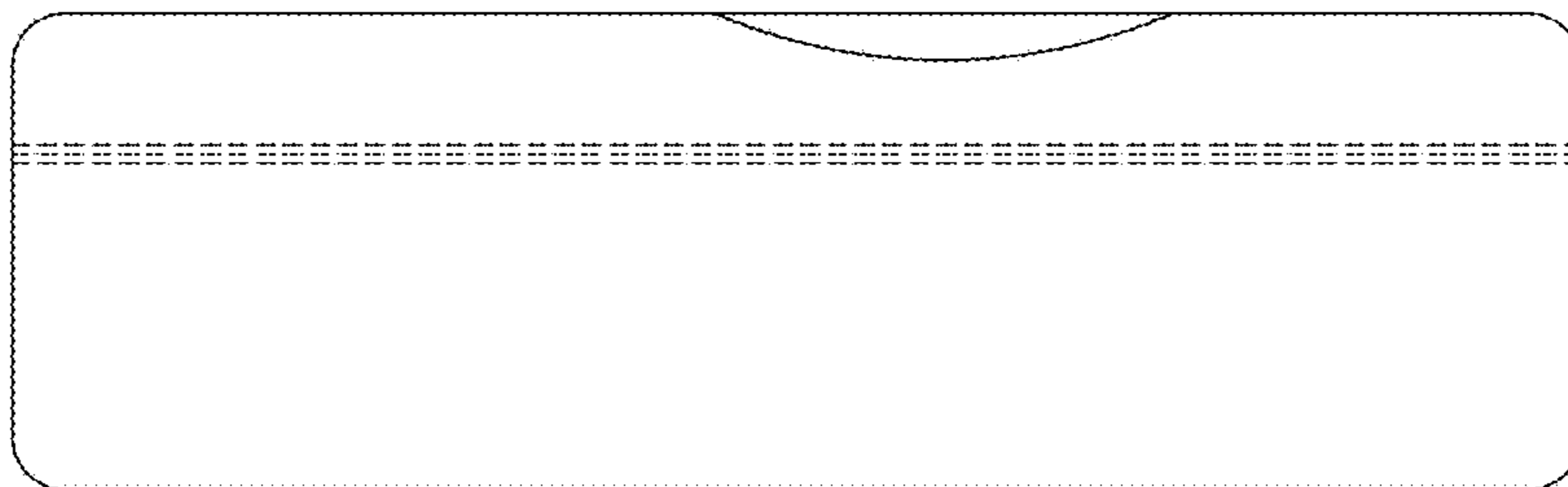
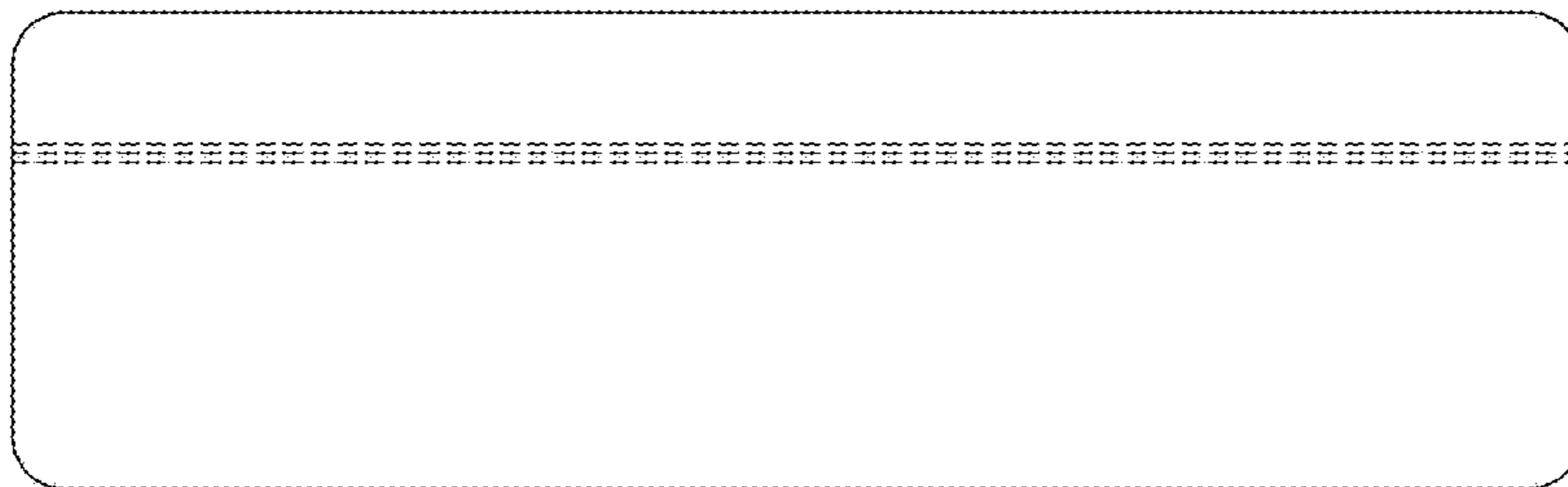


FIG. 1



*FIG. 2*



*FIG. 3*

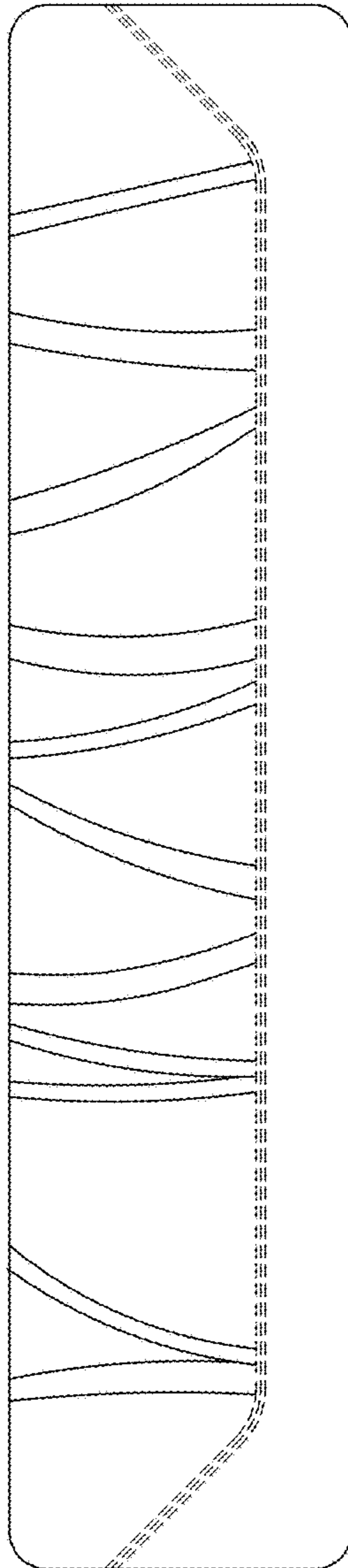


FIG. 4

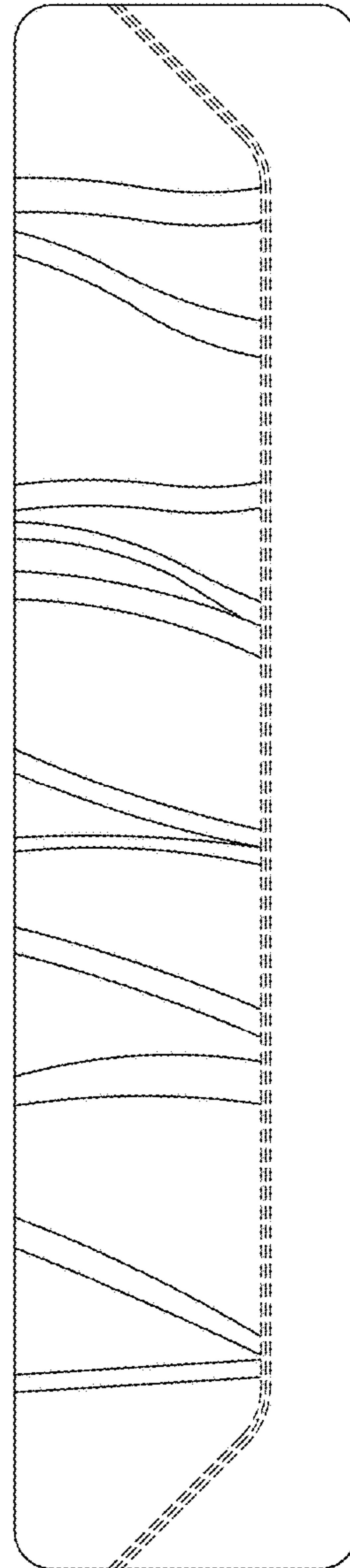


FIG. 5



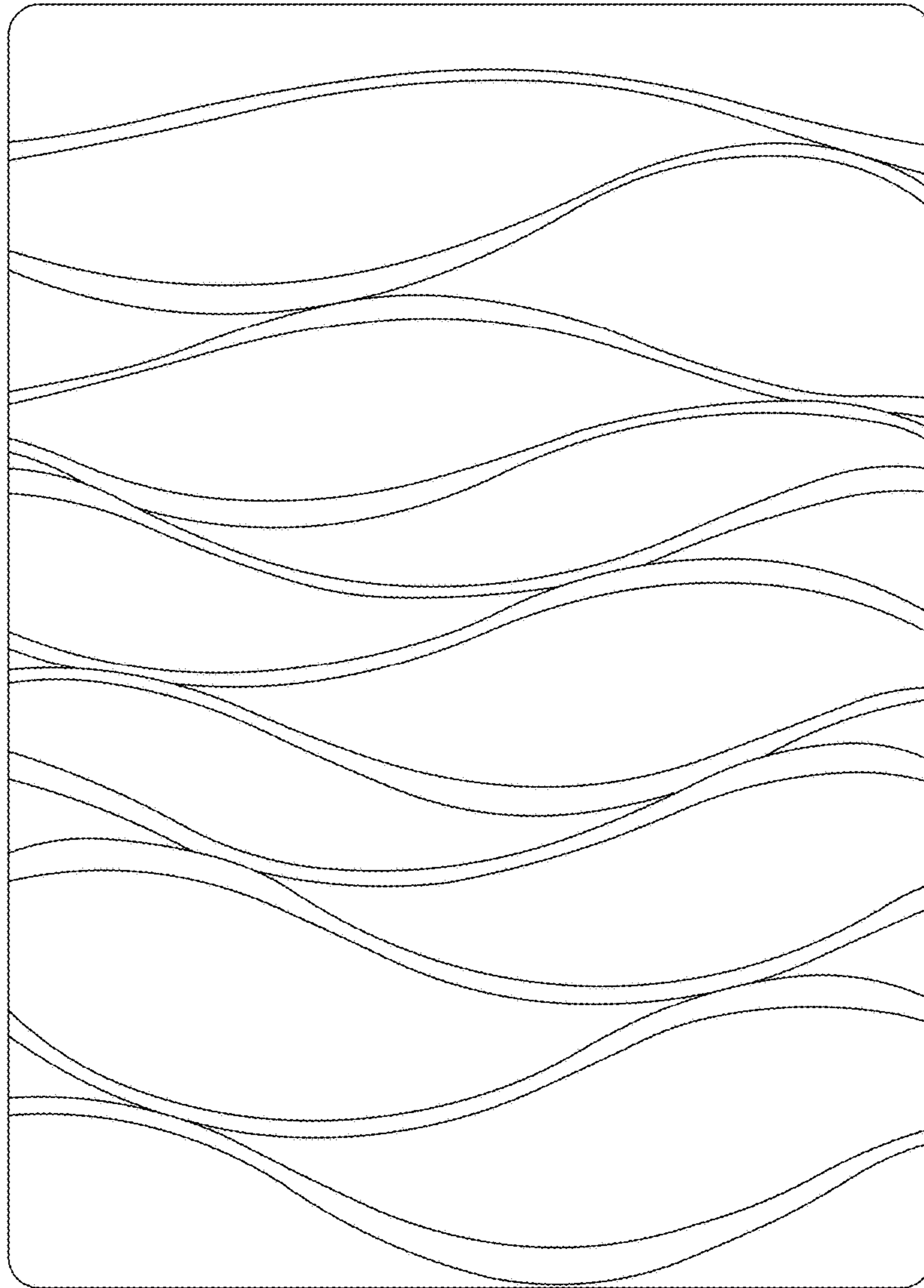
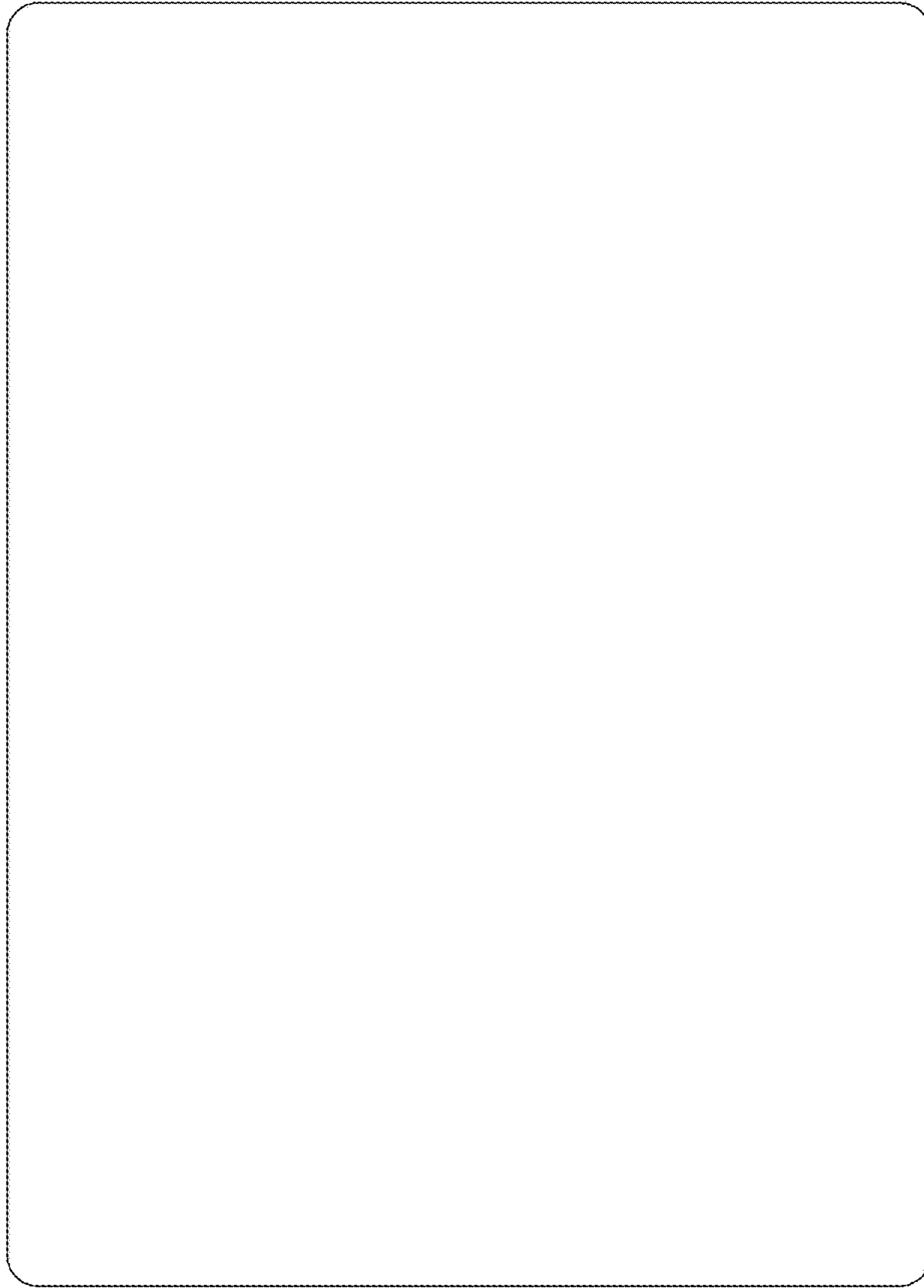


FIG. 6



*FIG. 7*