



US00D866222S

(12) **United States Design Patent** (10) **Patent No.:** **US D866,222 S**
Williams et al. (45) **Date of Patent:** **** Nov. 12, 2019**

(54) **MATTRESS COVER**

(71) Applicant: **Tempur World, LLC**, Lexington, KY (US)

(72) Inventors: **Martha Williams**, Jamestown, NC (US); **LeeAnn Harmening**, Greensboro, NC (US); **Christina Pollock**, Greensboro, NC (US); **Brent Pfister**, Lexington, KY (US); **Steve Rusing**, Lexington, KY (US)

(73) Assignee: **Tempur World, LLC**, Lexington, KY (US)

(**) Term: **15 Years**

(21) Appl. No.: **29/656,607**

(22) Filed: **Jul. 13, 2018**

(51) **LOC (12) Cl.** **06-09**

(52) **U.S. Cl.**
USPC **D6/605**

(58) **Field of Classification Search**
USPC D6/333, 349, 355, 375, 388, 512, 563, D6/564, 595, 596, 601, 604, 611, 707, D6/715, 716, 716.1; D24/183-185, 234; D21/803, 804, 805, 809; 5/401, 420, 5/600, 630, 631, 632, 633, 635, 636, 638, 5/639, 646, 652, 652.1, 655, 703, 730; 297/1, 2, 4, 93, 180.11, 195.1, 195.11, 297/195.13, 393, 397, 452.12, 452.14, 297/452.15, 452.21, 452.24, 452.26, 297/452.48, 452.62, 482
CPC A47G 9/10; A47G 9/1009; A47G 9/1027; A47G 9/1045; A47G 9/1063; A47G 9/1072; A47G 9/1081
See application file for complete search history.

(56) **References Cited**

U.S. PATENT DOCUMENTS

D37,358 S * 2/1905 Haslup D5/59
D63,092 S * 10/1923 Vandergaw D5/57

D89,649 S * 4/1933 Megroz D5/7
D113,261 S * 2/1939 Fassler D6/603
D182,349 S * 3/1958 Alvord D25/154
(Continued)

FOREIGN PATENT DOCUMENTS

EM 006017018-0002 * 3/2019

OTHER PUBLICATIONS

Tempurpedic Adapt Med Mattress Expert Review, reviewed Apr. 30, 2018, [online], [site visited Jun. 18, 2019]. Available from YouTube, URL: https://www.youtube.com/watch?v=X1eB_pvNQJw (Year: 2018).*

Primary Examiner — Michelle E. Wilson

Assistant Examiner — Sanjeev Paul

(74) *Attorney, Agent, or Firm* — Middleton Reutlinger

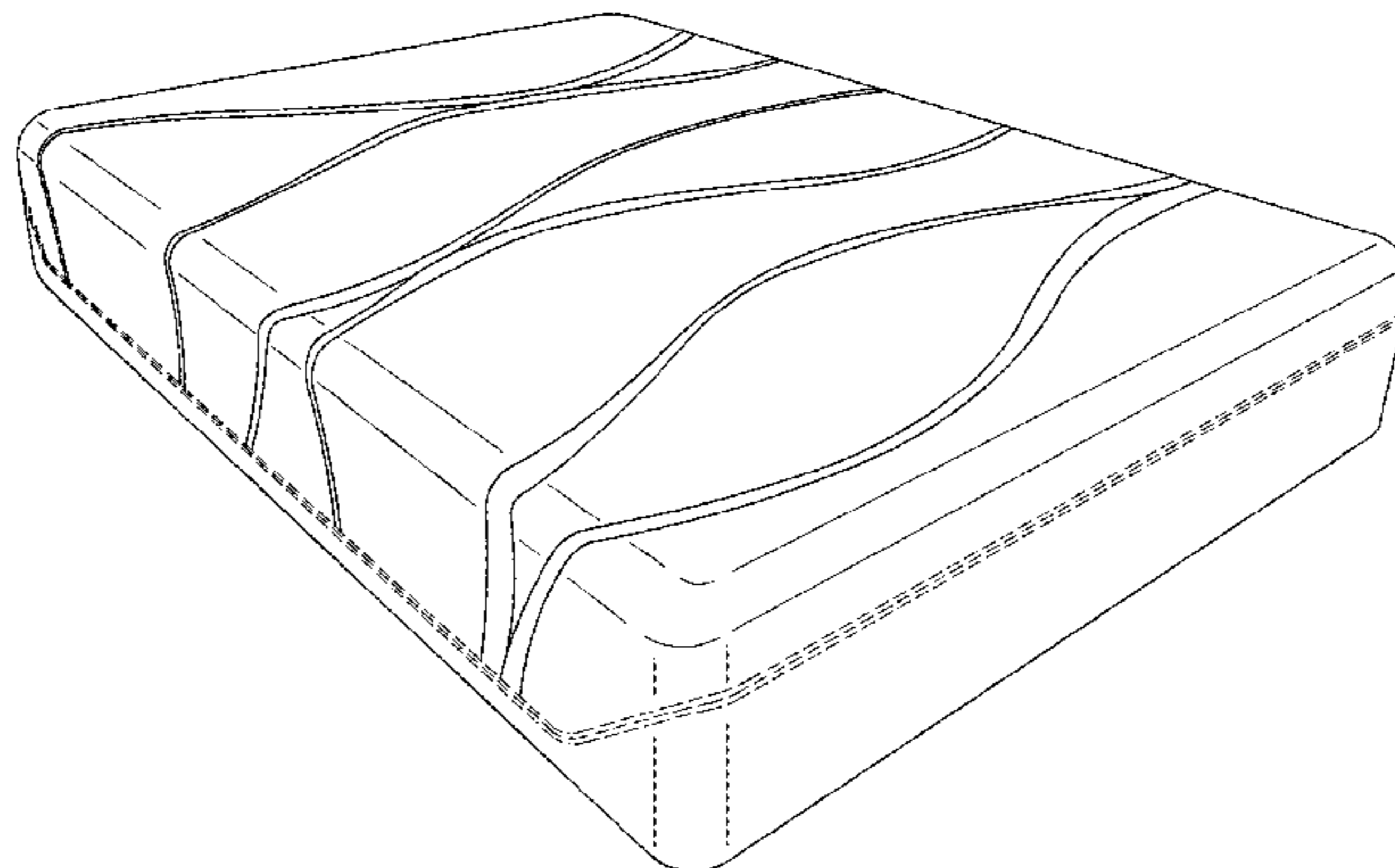
(57) **CLAIM**

The ornamental design for a mattress cover, as shown and described.

DESCRIPTION

FIG. 1 is a first perspective view of a mattress cover design; FIG. 2 is a front elevational view of the mattress cover design of FIG. 1; FIG. 3 is a rear elevational view of the mattress cover design of FIG. 1; FIG. 4 is a right side elevational view of the mattress cover design of FIG. 1; FIG. 5 is a left side elevational view of the mattress cover design of FIG. 1; FIG. 6 is a top view of the mattress cover design of FIG. 1; and, FIG. 7 is a bottom view of the mattress cover design of FIG. 1.
The broken line disclosure represents unclaimed portions of the mattress cover in which the design is embodied.

1 Claim, 5 Drawing Sheets



(56)

References Cited

U.S. PATENT DOCUMENTS

D413,731 S *	9/1999	Hannington	D5/61	D742,660 S *	11/2015	Oberwelz	D6/606
D419,781 S *	2/2000	Pratt	D5/53	D746,082 S *	12/2015	Harmening	D6/605
D441,540 S *	5/2001	Enderby	D5/53	D746,084 S *	12/2015	Jensen	D6/606
6,467,521 B1 *	10/2002	Pratt	B29C 70/20 156/351	D753,934 S *	4/2016	Daeseleire	D6/605
D525,437 S *	7/2006	Leisch	D5/53	D762,079 S *	7/2016	Oberwelz	D6/606
D562,567 S *	2/2008	Proserpio	D5/56	D784,733 S *	4/2017	Bell	D6/605
D636,607 S *	4/2011	Withers	A47J 36/02 D5/56	D785,972 S *	5/2017	Oberwelz	D6/602
D650,994 S *	12/2011	Sheehan	D5/56	D802,964 S *	11/2017	Alletto, Jr.	D6/605
D670,950 S *	11/2012	Price	D6/605	D804,221 S *	12/2017	Alletto, Jr.	D6/605
D690,962 S *	10/2013	Danileson	D6/605	D804,854 S *	12/2017	Bunnell	D6/606
8,721,073 B2 *	5/2014	Bowers	G02C 7/046 351/159.31	D804,856 S *	12/2017	Desodt	D6/606
D719,764 S *	12/2014	Enders	D5/55	D804,857 S *	12/2017	Desodt	D6/606
D720,158 S *	12/2014	Harmening	D5/56	D804,858 S *	12/2017	Desodt	D6/606
D724,864 S *	3/2015	Harmening	D5/56	D804,859 S *	12/2017	Desodt	D6/606
D724,865 S *	3/2015	Jensen	D5/56	D805,327 S *	12/2017	Desodt	D6/606
D726,452 S *	4/2015	Jensen	D5/55	D805,328 S *	12/2017	Desodt	D6/606
D728,276 S *	5/2015	Jensen	D5/56	D811,127 S *	2/2018	Bell	D6/605
					D811,128 S *	2/2018	Bell	D6/605
					D820,006 S *	6/2018	Desodt	D6/606
					D820,618 S *	6/2018	Desodt	D6/606
					D833,178 S *	11/2018	Desodt	D6/606
					D833,179 S *	11/2018	Desodt	D6/606
					D833,180 S *	11/2018	Desodt	D6/606

* cited by examiner

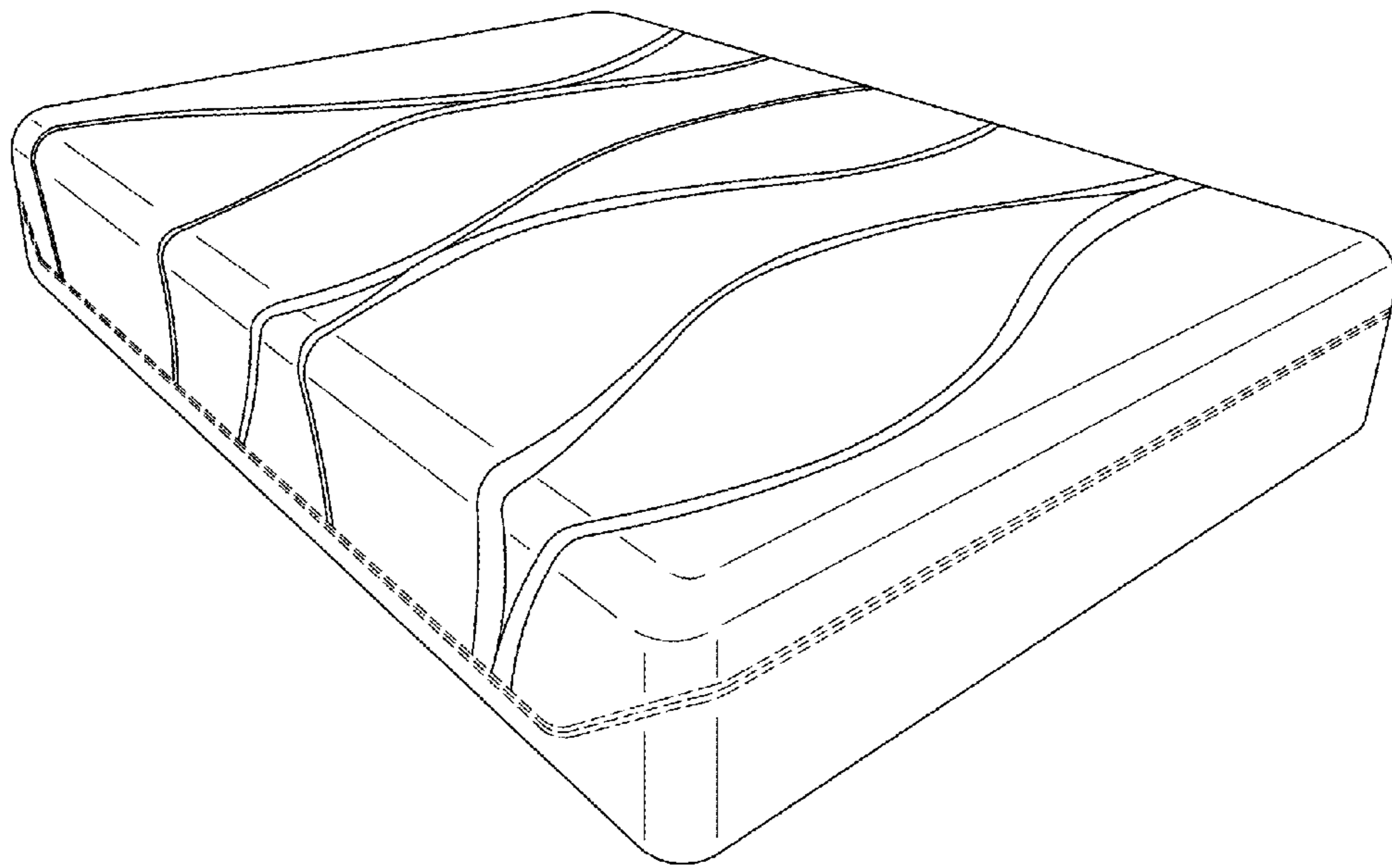


FIG. 1

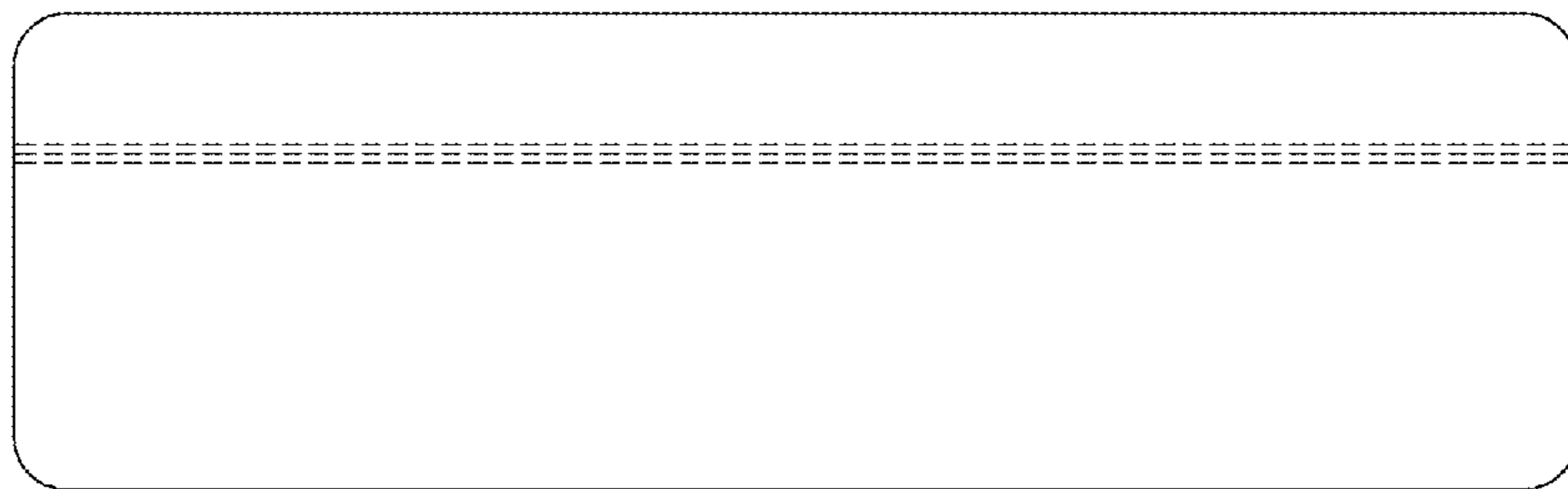


FIG. 2

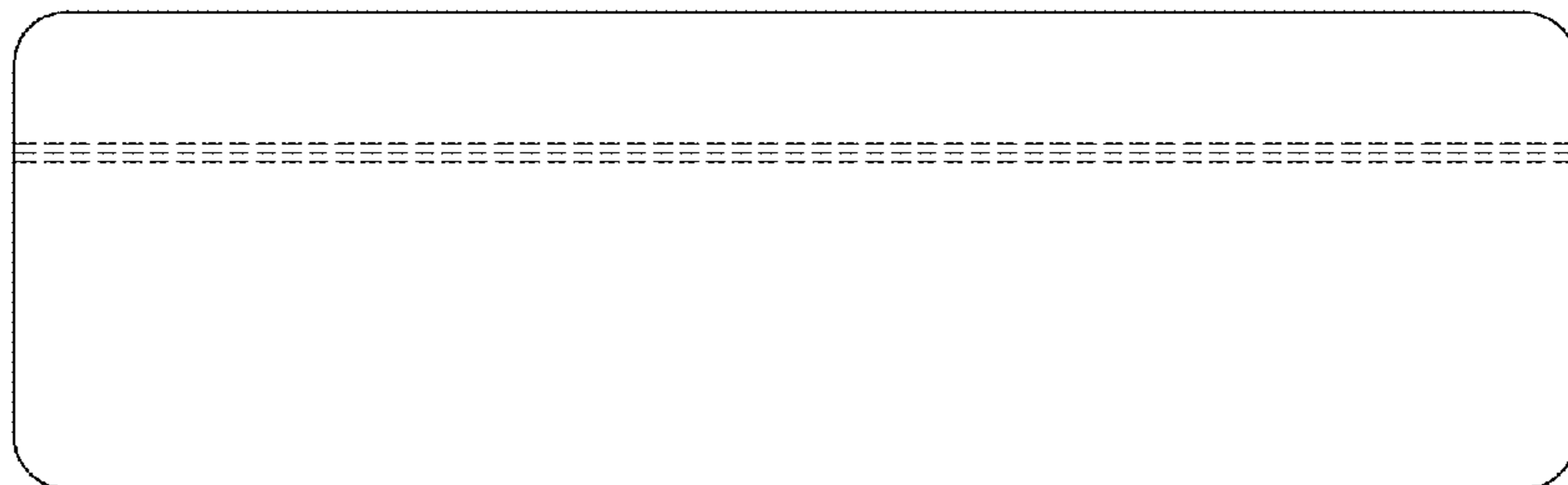


FIG. 3

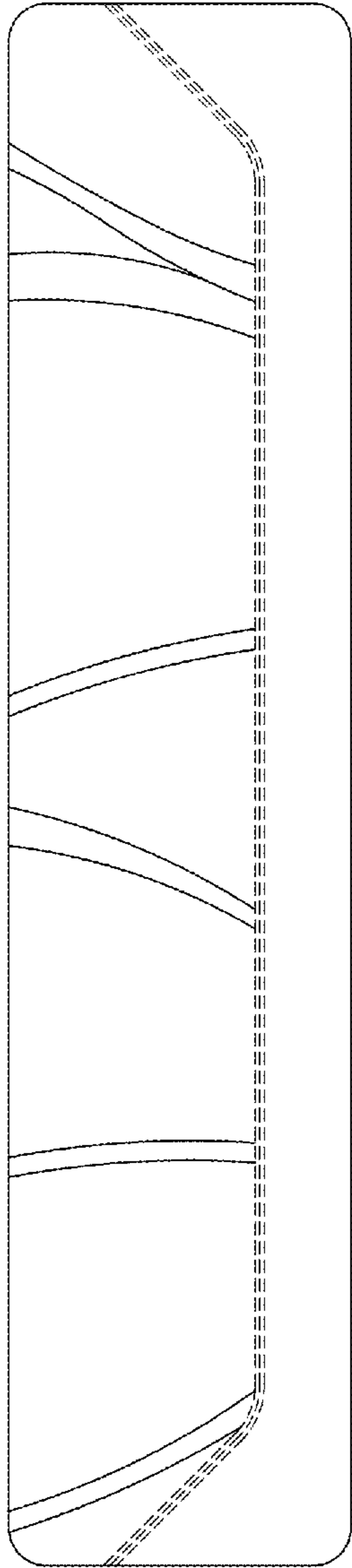


FIG. 4

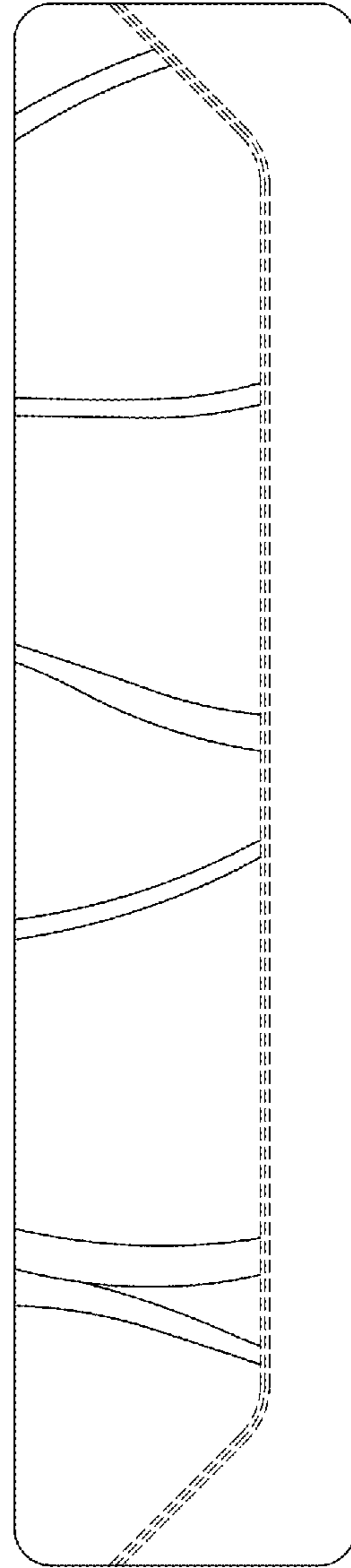


FIG. 5

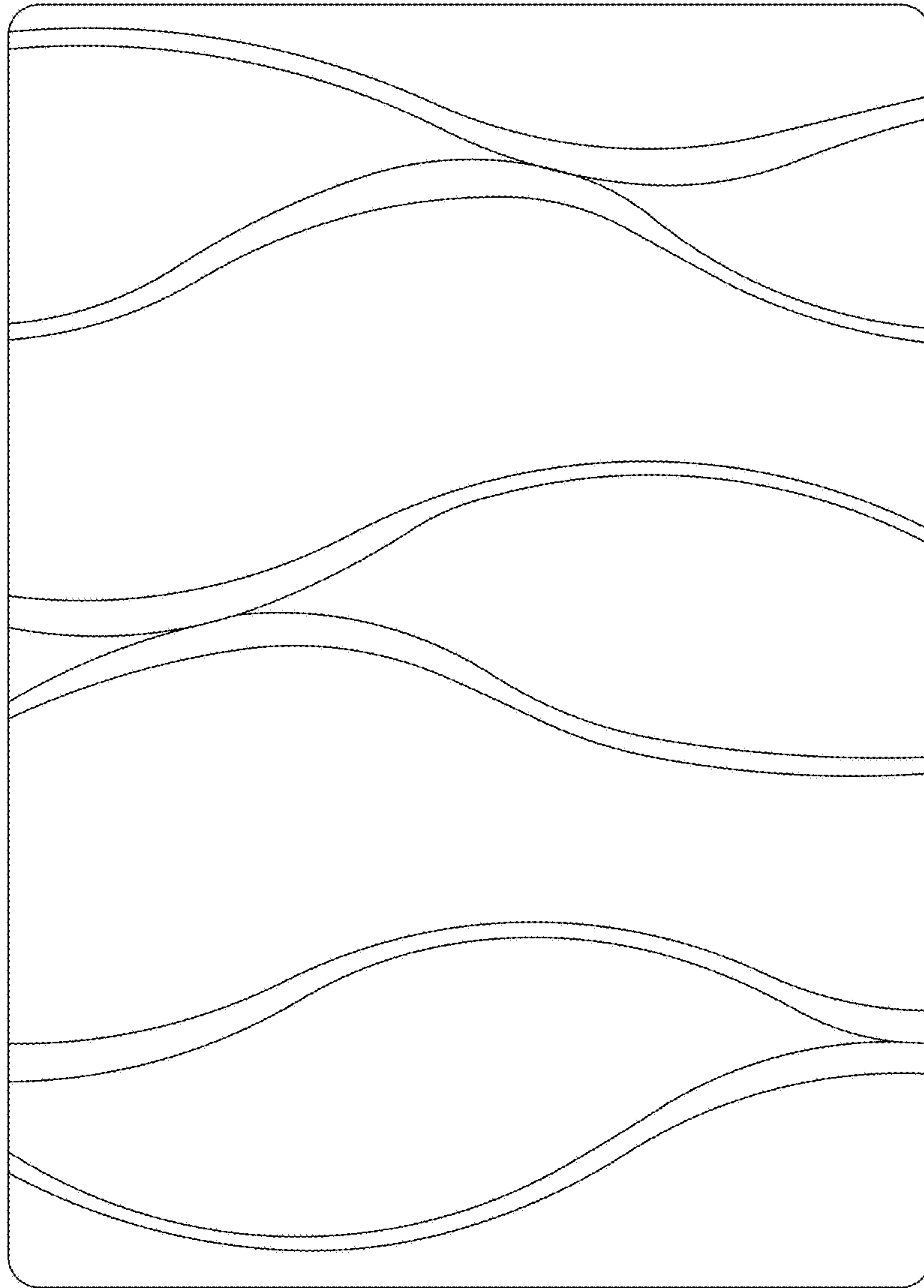


FIG. 6



FIG. 7