



US00D866221S

(12) **United States Design Patent**
Chiquin

(10) **Patent No.:** **US D866,221 S**

(45) **Date of Patent:** **** Nov. 12, 2019**

- (54) **VALANCE**
- (71) Applicant: **Edwin Chiquin**, Miami, FL (US)
- (72) Inventor: **Edwin Chiquin**, Miami, FL (US)
- (73) Assignee: **Vertilux Limited**, Miami, FL (US)
- (**) Term: **15 Years**

(21) Appl. No.: **29/644,870**

(22) Filed: **Apr. 20, 2018**

(51) **LOC (12) Cl.** **06-10**

(52) **U.S. Cl.**

USPC **D6/579**

(58) **Field of Classification Search**

USPC D6/575-581; D8/358; D13/155;
D25/119, 121, 123, 125; D26/138

CPC ... A47H 1/02; A47H 1/04; A47H 1/44; A47H
11/06; A47H 2001/042; A47H 2023/003;
A47H 2023/025; A47H 23/00; A47H
23/01; A47H 23/02; A47H 3/02; A47H
3/06; A47H 3/08; A47H 3/10; A47H
5/00; A47H 5/03; A47H 5/032; A47H
5/06; A47H 5/08; E06B 9/17; E06B
2009/2622; E06B 2009/285; E06B 7/28;
E06B 9/24; E06B 9/26; E06B 9/262;
E06B 9/30; E06B 9/302; E06B 9/306;
E06B 9/307; E06B 9/322; E06B 9/323;
E06B 9/324; E06B 9/386; E06B 9/388;
E06B 9/40; E06B 9/42; E06B 9/521;
E06B 9/56; E06B 9/60; E06B 9/78

See application file for complete search history.

(56) **References Cited**

U.S. PATENT DOCUMENTS

- 2,549,905 A 4/1951 Jablon
- 3,297,075 A 1/1967 Howell et al.
- 4,122,559 A 10/1978 Kelly
- 4,840,216 A 6/1989 John
- 4,935,988 A 6/1990 Ford et al.

- 4,987,943 A 1/1991 Charest
- 5,137,073 A 8/1992 Huang
- 5,232,039 A 8/1993 Shapiro et al.
- 5,259,687 A * 11/1993 John A47H 2/00
160/38
- 5,271,687 A 12/1993 Holka et al.

(Continued)

FOREIGN PATENT DOCUMENTS

- BR 3020120013798 2/2013
- BR 3020120056900 3/2016

(Continued)

OTHER PUBLICATIONS

Bing Search, <http://www.quebanana.com/tienda/ver/herrajesmarino/145224>, Aug. 22, 2013.

(Continued)

Primary Examiner — Kevin K Rudzinski
Assistant Examiner — Clare Ann Gannon
(74) *Attorney, Agent, or Firm* — Malloy & Malloy, P.L.

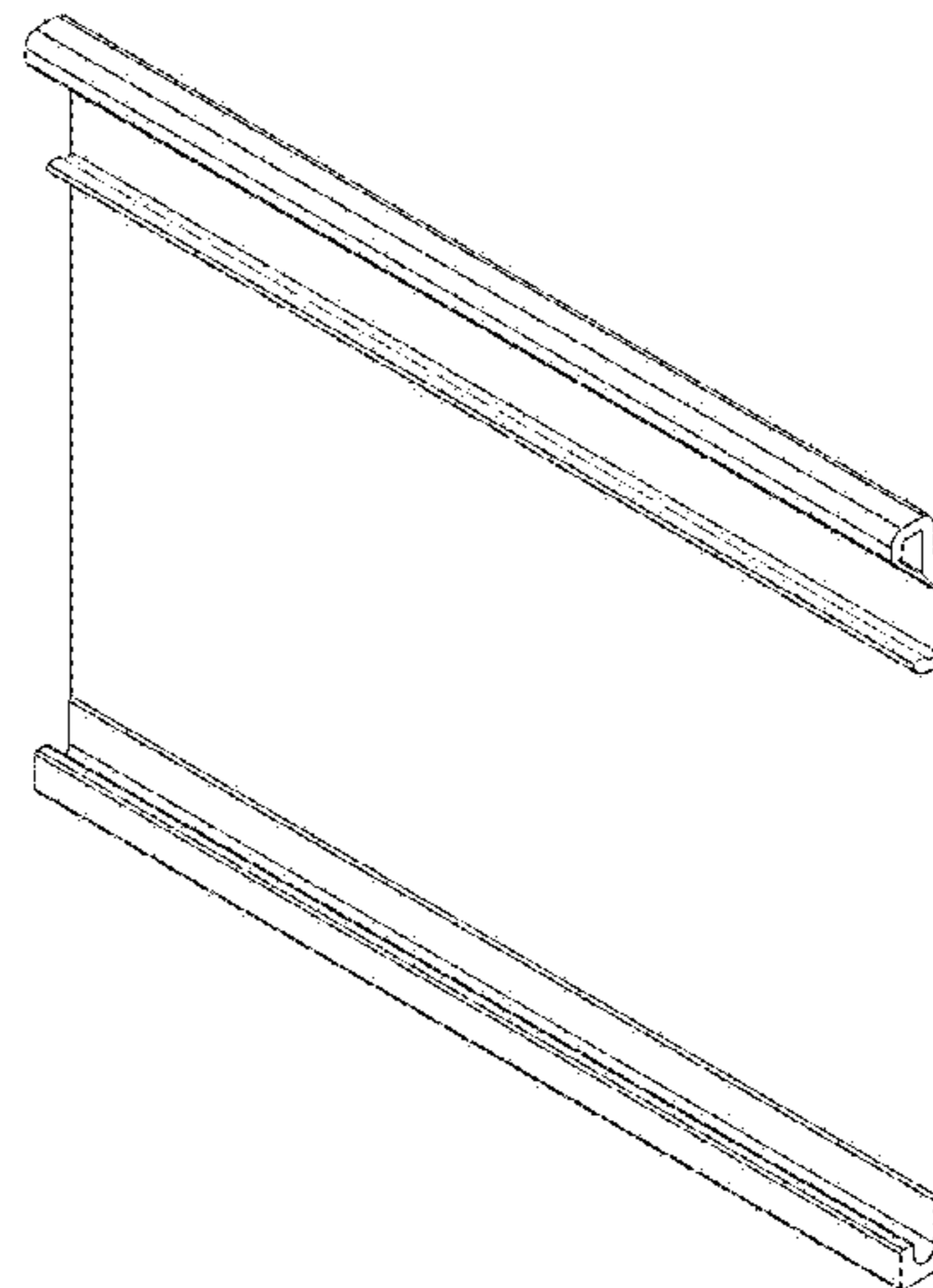
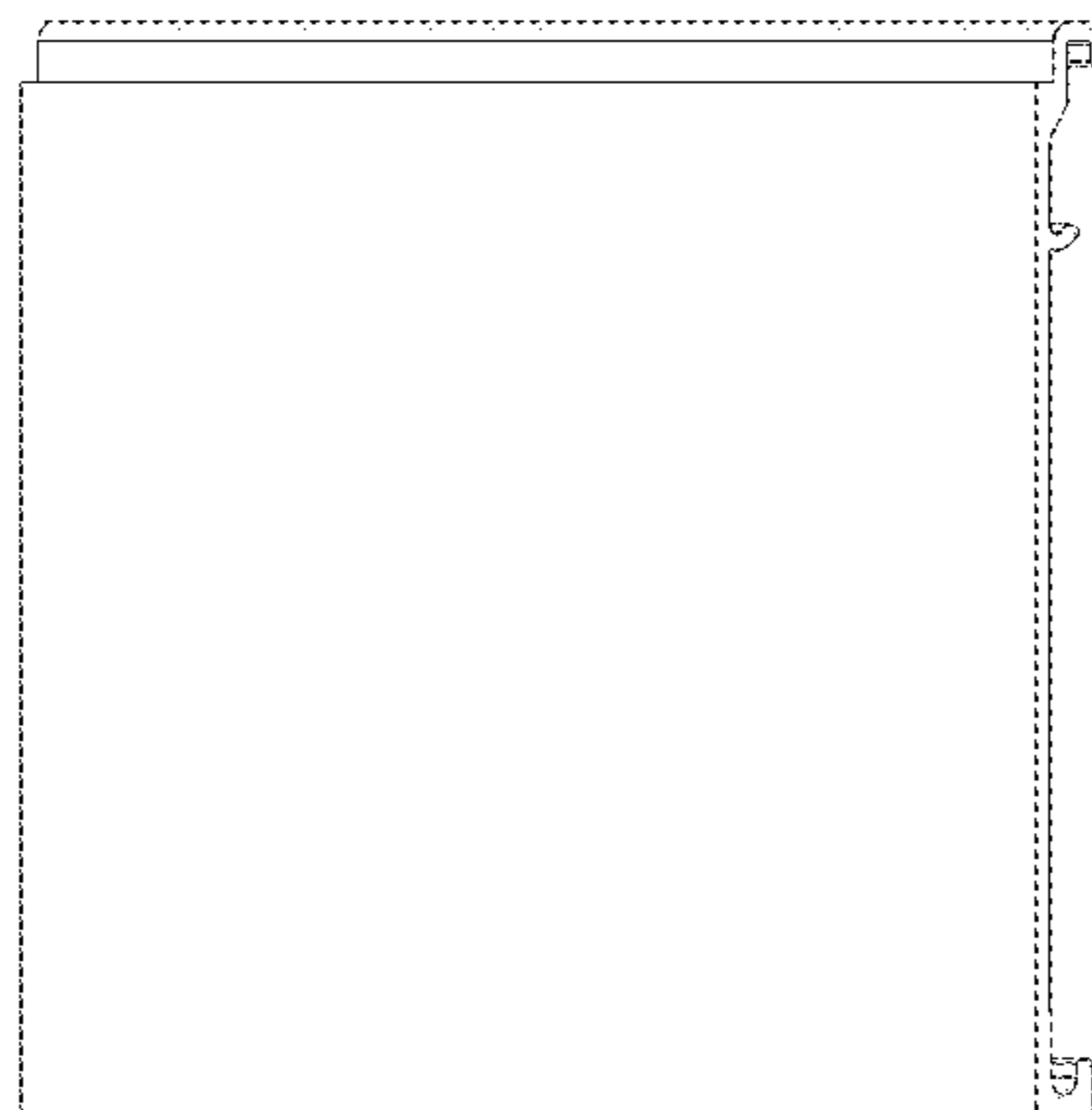
(57) **CLAIM**

The ornamental design for a valance, as shown and described.

DESCRIPTION

FIG. 1 is a front view for a valance illustrating my new design;
FIG. 2 is a front, right side view thereof;
FIG. 3 is a right side view thereof;
FIG. 4 is a left side view thereof;
FIG. 5 is a top view thereof;
FIG. 6 is a top, left side view thereof;
FIG. 7 is a rear view thereof;
FIG. 8 is a perspective view thereof;
FIG. 9 is a bottom view thereof; and,
FIG. 10 is a bottom, right view thereof.

1 Claim, 10 Drawing Sheets



(56)

References Cited

U.S. PATENT DOCUMENTS

D345,498 S 3/1994 Fraser et al.
 5,330,821 A * 7/1994 Lo A47H 2/02
 16/94 R
 D355,094 S 2/1995 Josephson
 D355,604 S 2/1995 De Baschmakoff
 5,803,144 A 9/1998 Ives
 5,924,255 A 7/1999 Vagedes
 5,975,186 A 11/1999 Day
 5,983,972 A 11/1999 Chou
 D429,588 S 8/2000 Smederod
 6,111,694 A 8/2000 Shopp
 6,173,825 B1 1/2001 Liu
 6,196,508 B1 3/2001 Nijis
 6,202,967 B1 3/2001 Fraczek
 D440,099 S * 4/2001 Horsten E06B 9/24
 D6/580
 6,234,233 B1 * 5/2001 Biro A47H 2/00
 160/38
 6,269,909 B1 8/2001 Grimes et al.
 6,408,922 B2 6/2002 Desrochers
 6,532,109 B1 3/2003 Shopp
 6,666,251 B2 12/2003 Ikle
 D489,209 S 5/2004 Goldberg
 6,739,373 B1 5/2004 Liu et al.
 D494,401 S 8/2004 Davies et al.
 6,817,402 B1 11/2004 Fraczek et al.
 7,048,028 B2 5/2006 Wolfe et al.
 D530,967 S 10/2006 Smith
 7,141,164 B2 11/2006 Slack et al.
 7,195,052 B2 3/2007 Nien et al.
 D542,068 S 5/2007 Watkins
 7,210,513 B2 5/2007 Goldenberg et al.
 D557,116 S 12/2007 Zakowski
 7,353,857 B2 4/2008 Koop
 7,367,536 B1 5/2008 Anderson et al.
 7,380,582 B1 6/2008 Anderson et al.
 D596,435 S 7/2009 Wills
 D634,573 S 3/2011 Risher
 7,997,041 B2 8/2011 Slack et al.
 8,136,569 B2 3/2012 Bohlen et al.
 D675,050 S 1/2013 Garcia
 D680,357 S 4/2013 Wills
 8,480,048 B2 7/2013 Krantz-Lilienthal
 8,528,623 B2 9/2013 Roberts
 D694,039 S 11/2013 Licciardi Di Stefano
 D699,976 S 2/2014 Chou
 D710,128 S 8/2014 Garcia
 D715,629 S 10/2014 Grubb et al.
 8,960,621 B2 2/2015 Wills
 9,004,142 B2 4/2015 Marocco
 9,060,636 B2 6/2015 Cannaverde
 D740,589 S 10/2015 Ng
 D753,933 S 4/2016 Ng
 D762,398 S 8/2016 Ng
 9,498,079 B2 11/2016 Sanchuk
 D775,939 S 1/2017 Ng

D780,945 S * 3/2017 Guillemi A47H 2/00
 D25/119
 D789,454 S * 6/2017 Prisnie D20/44
 D791,580 S * 7/2017 Chou A47H 2/02
 D8/354
 D808,684 S 1/2018 Santilli
 10,309,153 B2 * 6/2019 McPherson E06B 9/42
 2003/0178276 A1 9/2003 Fraczek et al.
 2004/0182522 A1 9/2004 Strand
 2005/0247413 A1 11/2005 Nien et al.
 2006/0000559 A1 1/2006 Bohlen
 2006/0243402 A1 11/2006 Chang
 2007/0169900 A1 7/2007 Chen et al.
 2007/0284051 A1 12/2007 Grimes et al.
 2009/0250177 A1 10/2009 Byeon
 2009/0258752 A1 10/2009 Bohlen et al.
 2010/0101741 A1 4/2010 Koop
 2010/0175838 A1 7/2010 Faller
 2010/0300631 A1 12/2010 Sullivan
 2011/0006176 A1 * 1/2011 Krantz-Lilienthal ... F16B 2/245
 248/205.1
 2011/0114809 A1 5/2011 Ng
 2012/0012262 A1 1/2012 Santoro et al.
 2012/0031572 A1 2/2012 Ng et al.
 2012/0255686 A1 10/2012 Huang
 2013/0048229 A1 2/2013 Dwarka
 2013/0068405 A1 3/2013 Lava et al.
 2014/0166218 A1 6/2014 Ng
 2014/0262076 A1 * 9/2014 Mullet E06B 9/58
 160/295
 2014/0305602 A1 10/2014 Kirby et al.
 2014/0352897 A1 * 12/2014 Mullet E06B 9/42
 160/323.1
 2015/0027059 A1 * 1/2015 Lu E06B 9/582
 49/70
 2015/0275571 A1 10/2015 Guhl
 2015/0297014 A1 10/2015 Cannaverde
 2015/0368970 A1 12/2015 Chambers et al.
 2016/0051074 A1 * 2/2016 Chou E06B 9/24
 248/298.1
 2016/0090779 A1 3/2016 Nurre et al.
 2016/0326800 A1 11/2016 Marocco
 2016/0340972 A1 * 11/2016 Chou E06B 9/24
 2017/0079459 A1 * 3/2017 Filko A47H 1/122

FOREIGN PATENT DOCUMENTS

CN 2012300548304 3/2013
 CN 2012303568969 4/2013
 CO 282 7/2012
 EM 0013369940001 7/2012
 MX 38640 5/2013

OTHER PUBLICATIONS

Rollaseacmeda, System Quick Reference Guide, Feb. 5, 2018.
 Rollashade, Rollashade Contract Series, Feb. 5, 2018.

* cited by examiner

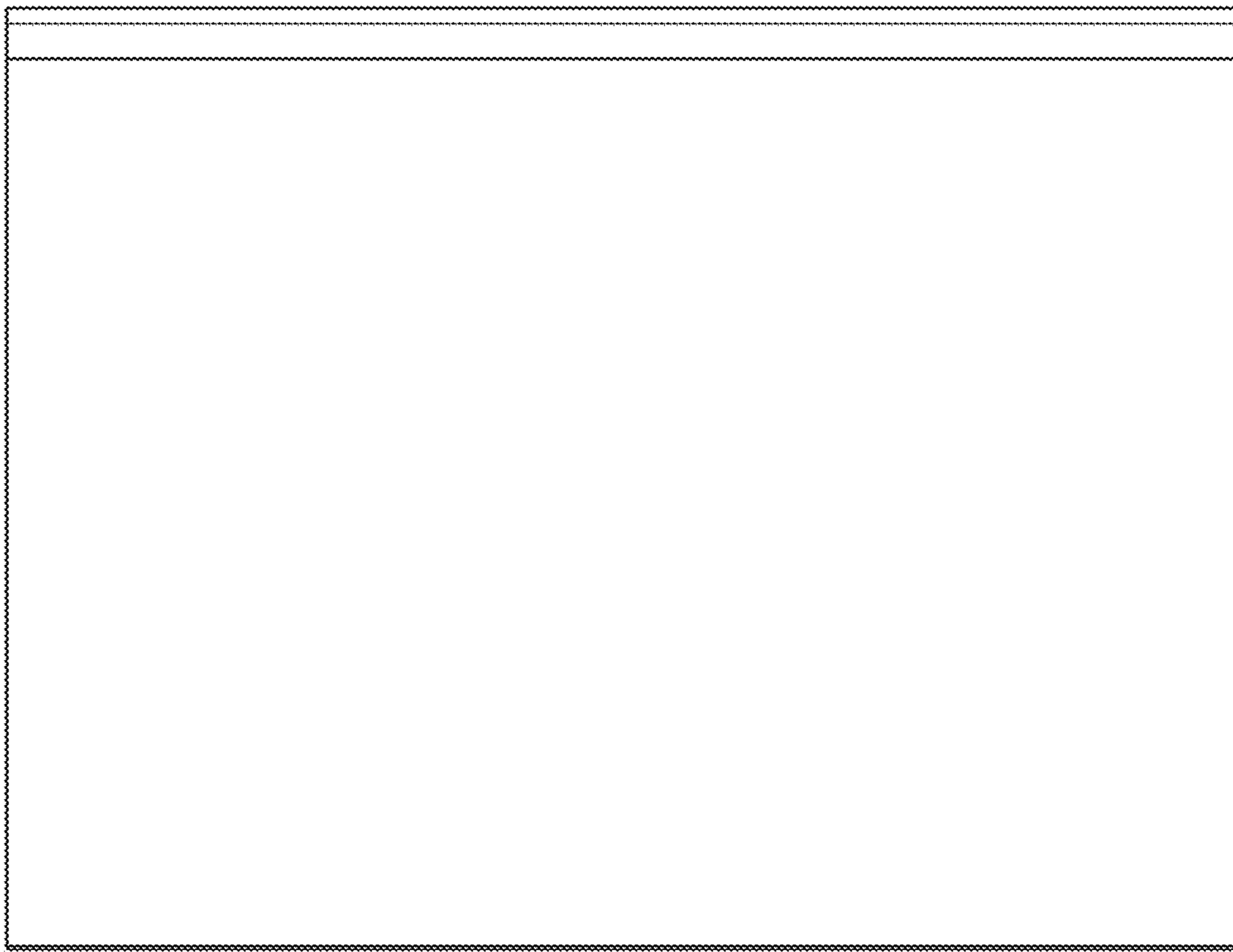


FIG.1

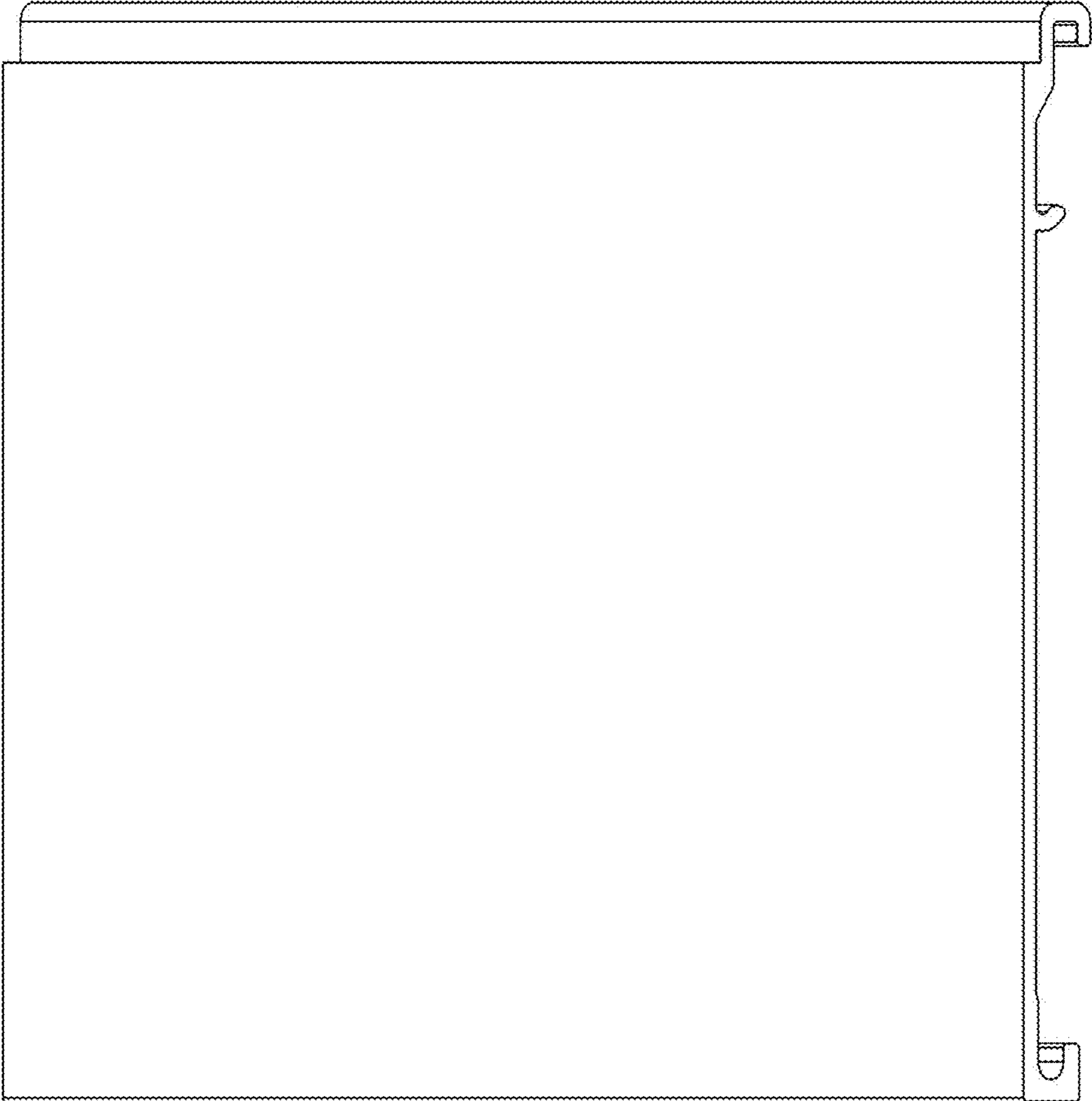


FIG.2

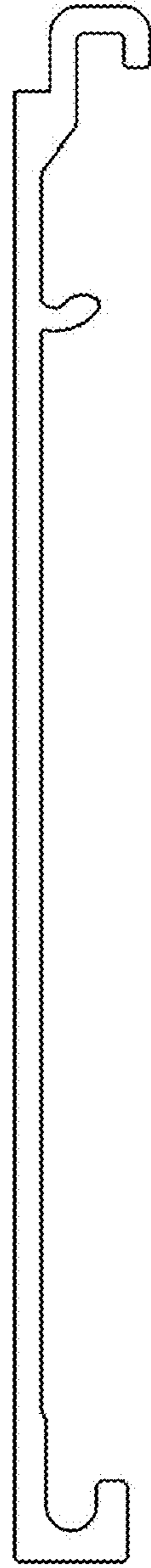


FIG.3



FIG.4



FIG. 5

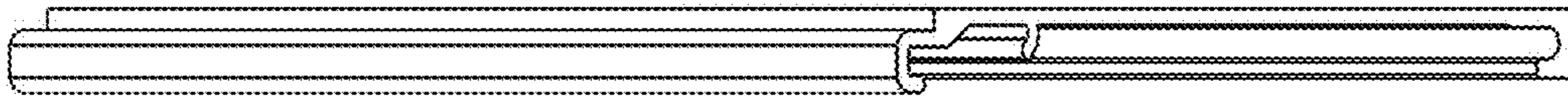


FIG.6

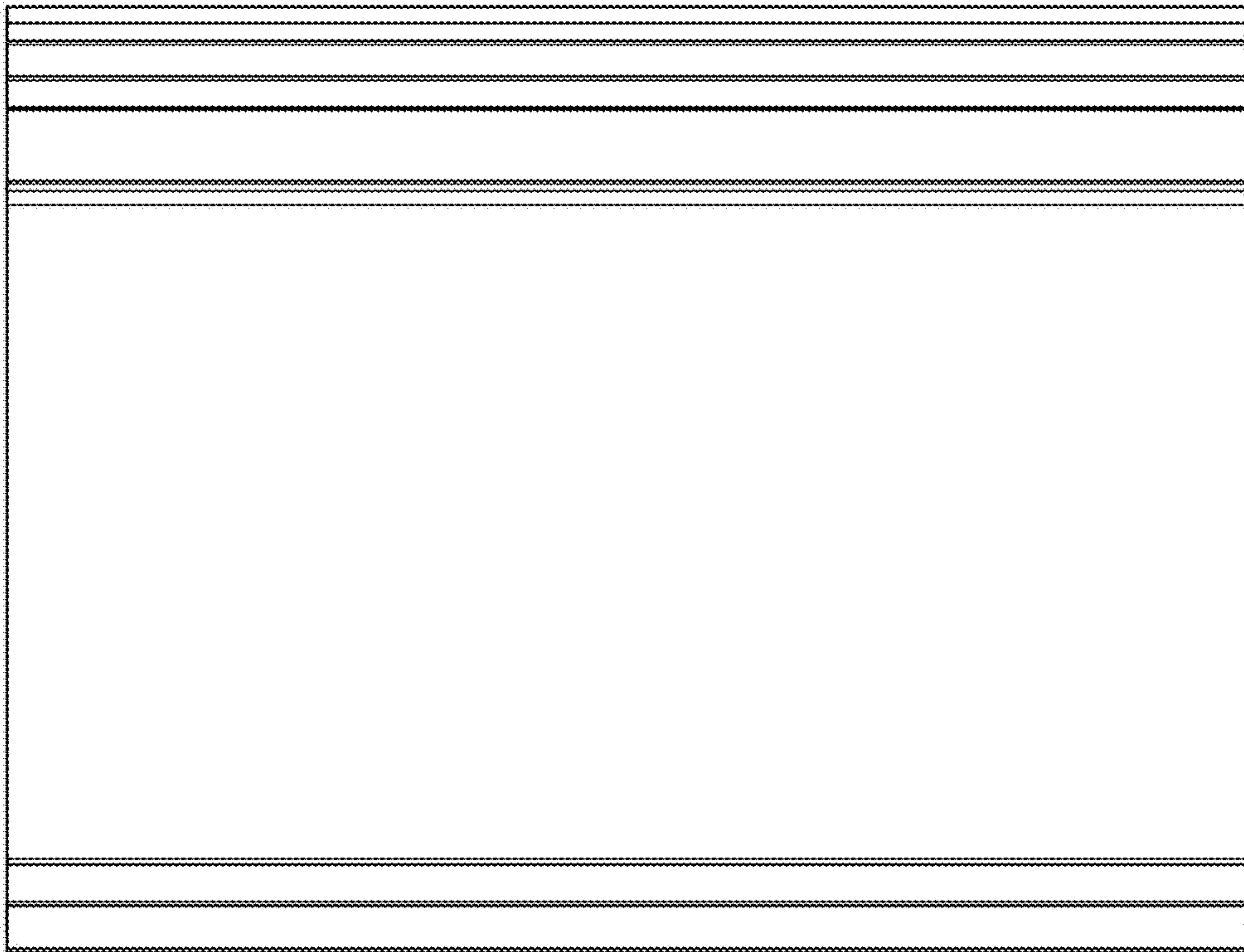


FIG.7

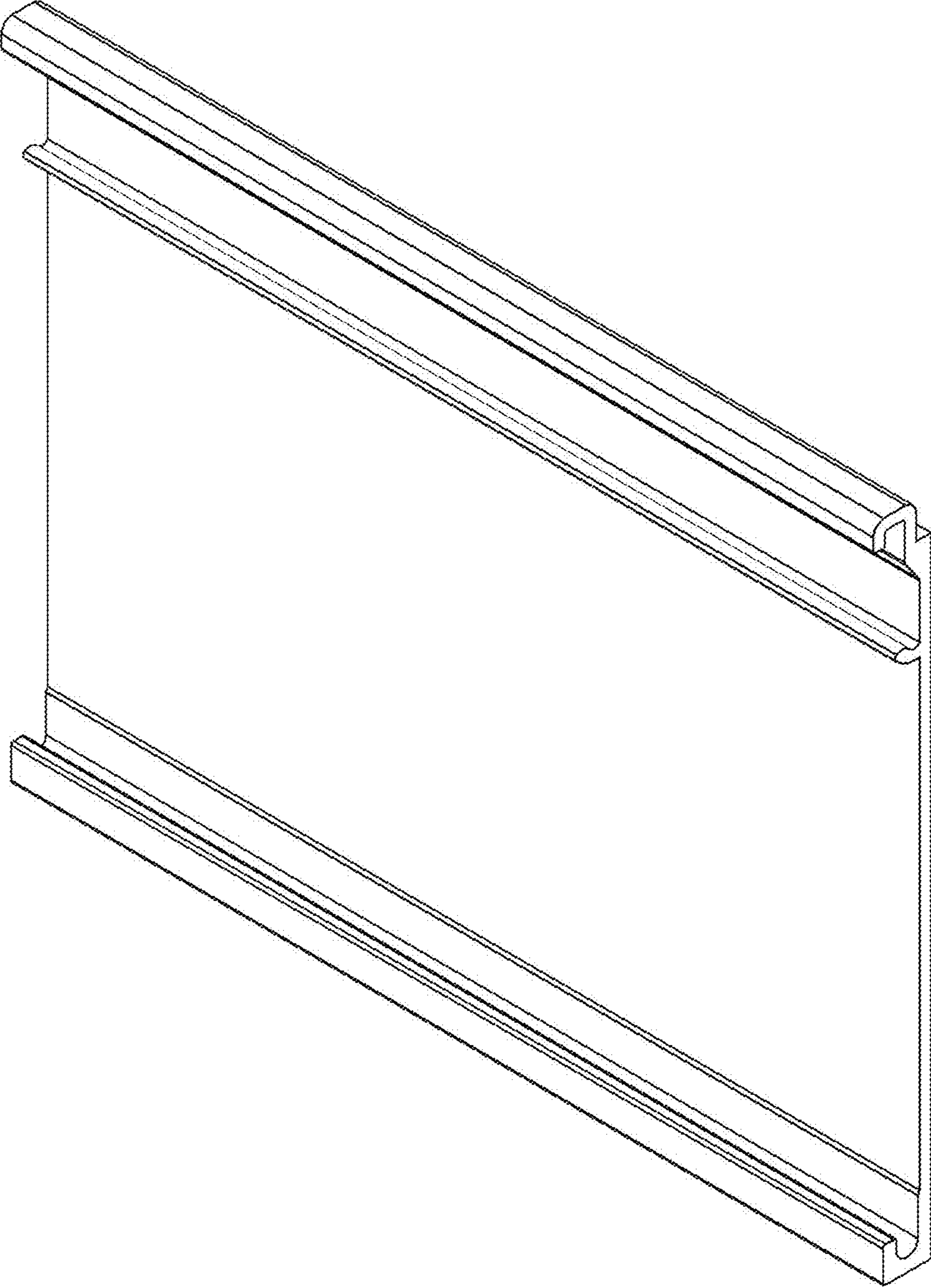


FIG.8



FIG.9



FIG.10