



US00D866220S

(12) **United States Design Patent** (10) **Patent No.:** **US D866,220 S**
Lee (45) **Date of Patent:** **** Nov. 12, 2019**

(54) **SMARTPHONE SHELF**
(71) Applicant: **Connie Lee**, Valencia, CA (US)
(72) Inventor: **Connie Lee**, Valencia, CA (US)
(**) Term: **15 Years**
(21) Appl. No.: **29/622,203**
(22) Filed: **Oct. 16, 2017**
(51) **LOC (12) Cl.** **14-03**
(52) **U.S. Cl.**
USPC **D6/574**; D14/253
(58) **Field of Classification Search**
USPC D14/251-253, 358, 432, 434, 440, 447;
D3/218; D16/242, 243; D12/415;
D13/107, 108
CPC A45C 11/00; A45F 5/00; F16M 11/06
See application file for complete search history.

D690,533 S * 10/2013 Majcher D6/574
D692,437 S * 10/2013 Sugino D14/447
D701,857 S * 4/2014 Ding D14/253
D743,955 S * 11/2015 Wu D14/253
D768,124 S * 10/2016 Daniels D12/114
D772,219 S * 11/2016 Daniels D12/114
D772,220 S * 11/2016 Daniels D12/114

OTHER PUBLICATIONS

Wonder Shelf, McLee Creations, 2019, <http://mcleecreations.com/products/> (Year: 2019).*

* cited by examiner

Primary Examiner — Janice Hallmark

(57) **CLAIM**

The ornamental design for a smartphone shelf, as shown and described.

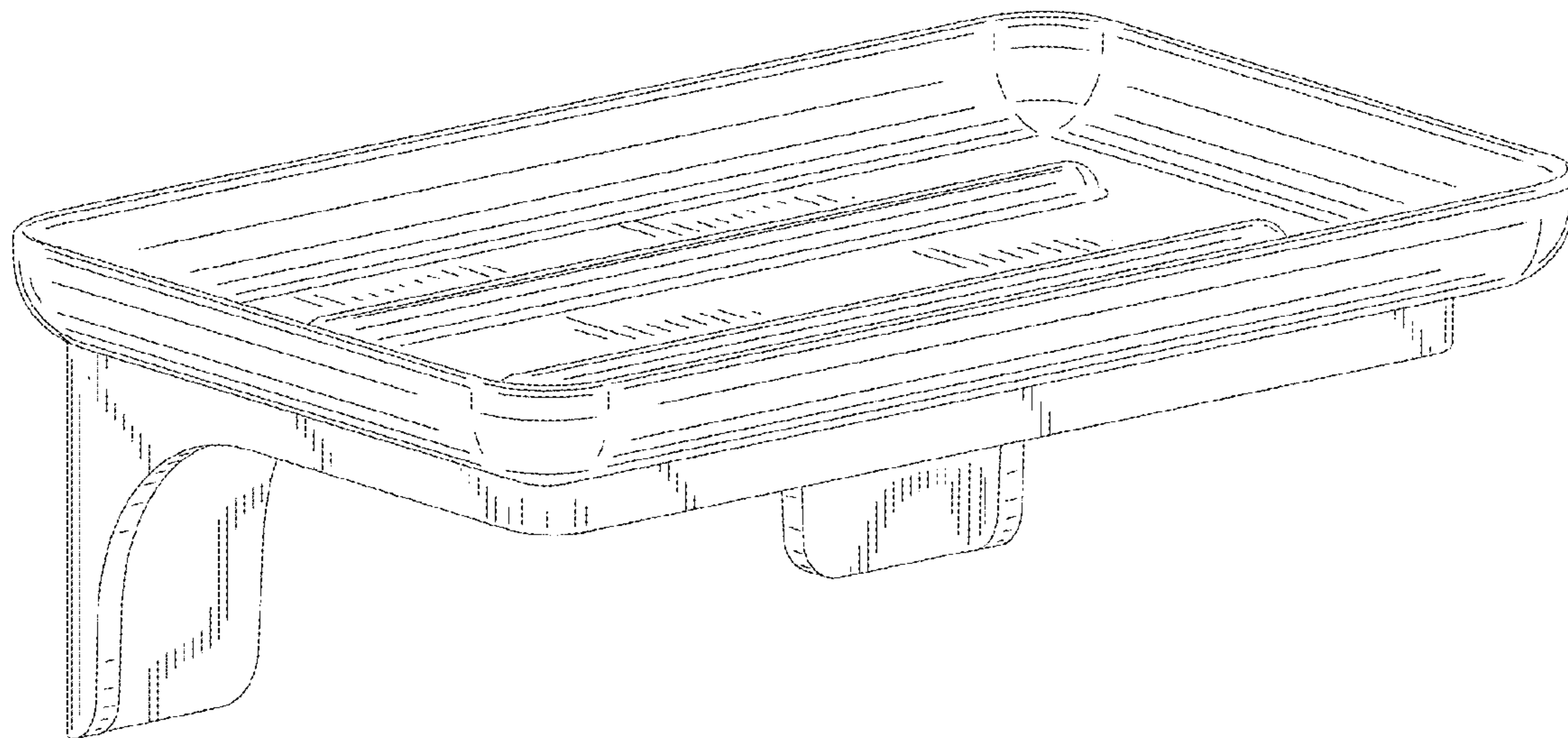
DESCRIPTION

FIG. 1 is a perspective view of a smartphone shelf;
FIG. 2 is a front elevation view thereof;
FIG. 3 is a top elevation view thereof;
FIG. 4 is a rear elevation view thereof;
FIG. 5 is a bottom elevation view thereof; and,
FIG. 6 is a right side elevation view thereof, the left side elevation view being a mirror image thereof.
The broken lines shown in the drawings depict portions of a bottom surface of the smartphone shelf that form no part of the claimed invention.

1 Claim, 3 Drawing Sheets

(56) **References Cited**
U.S. PATENT DOCUMENTS

D254,069 S * 1/1980 Haley D14/253
5,623,880 A * 4/1997 Kuntz A47K 10/38
108/42
5,638,966 A * 6/1997 Kuntz A47K 10/40
211/153
D520,288 S * 5/2006 Grosfillex D6/574
D546,611 S * 7/2007 Bouroullec D6/574
D557,964 S * 12/2007 Hoernig D6/549
D594,261 S * 6/2009 Maxwell D6/574



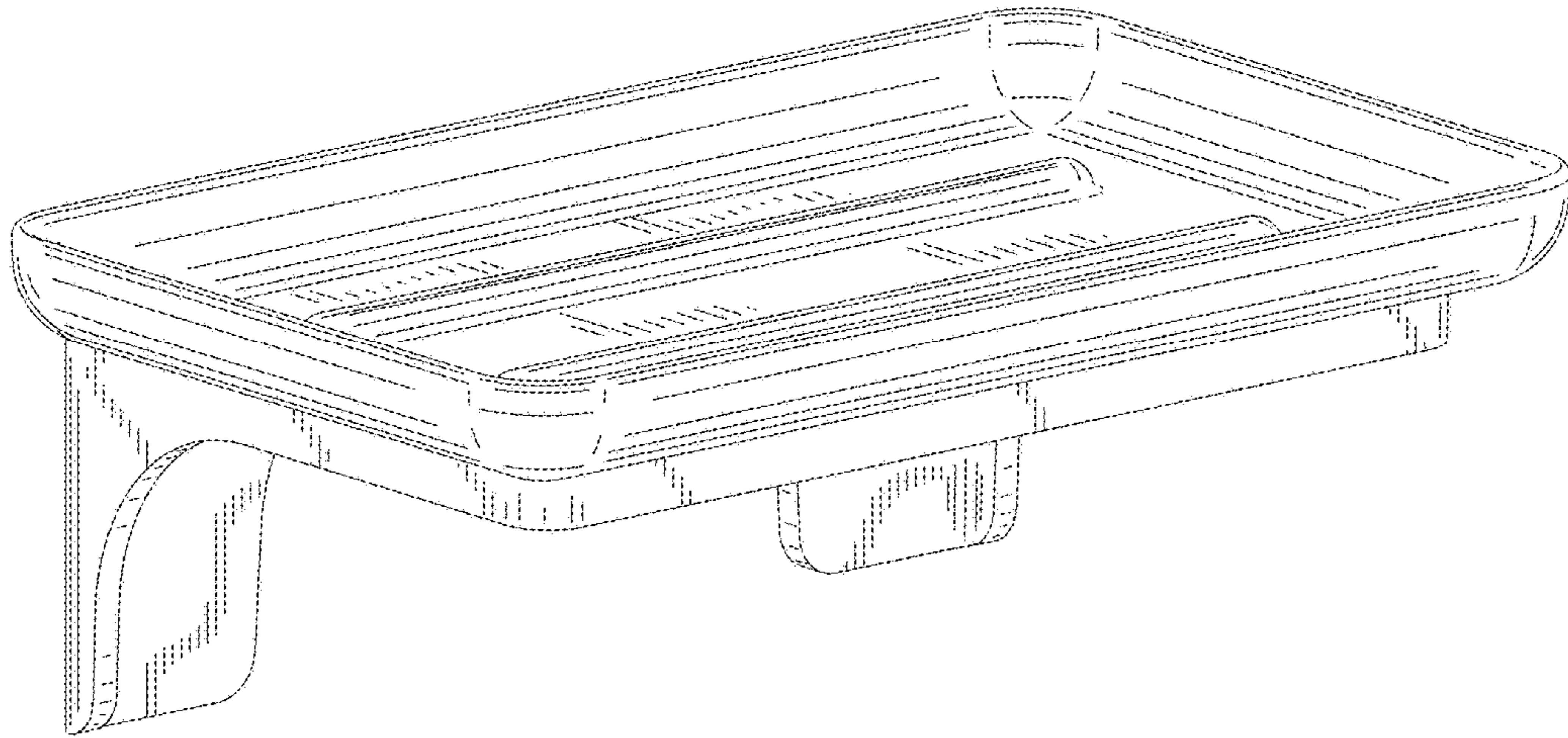


FIG. 1

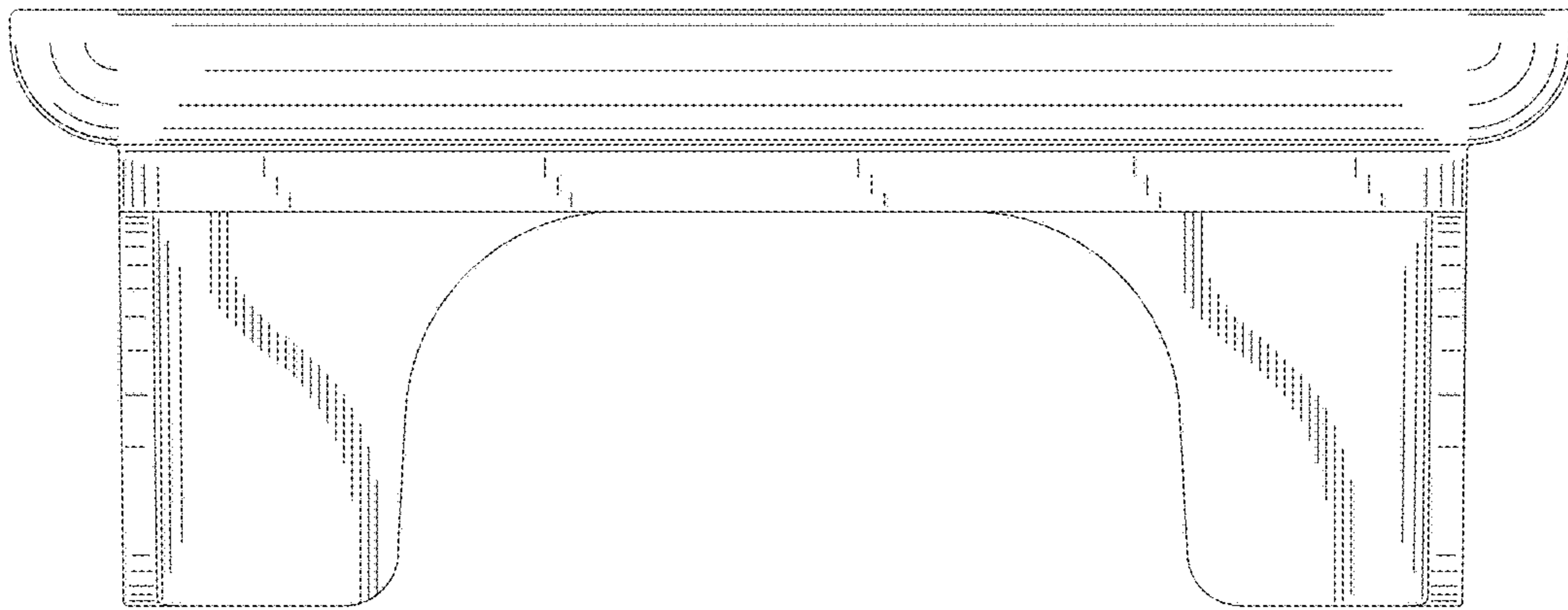


FIG. 2

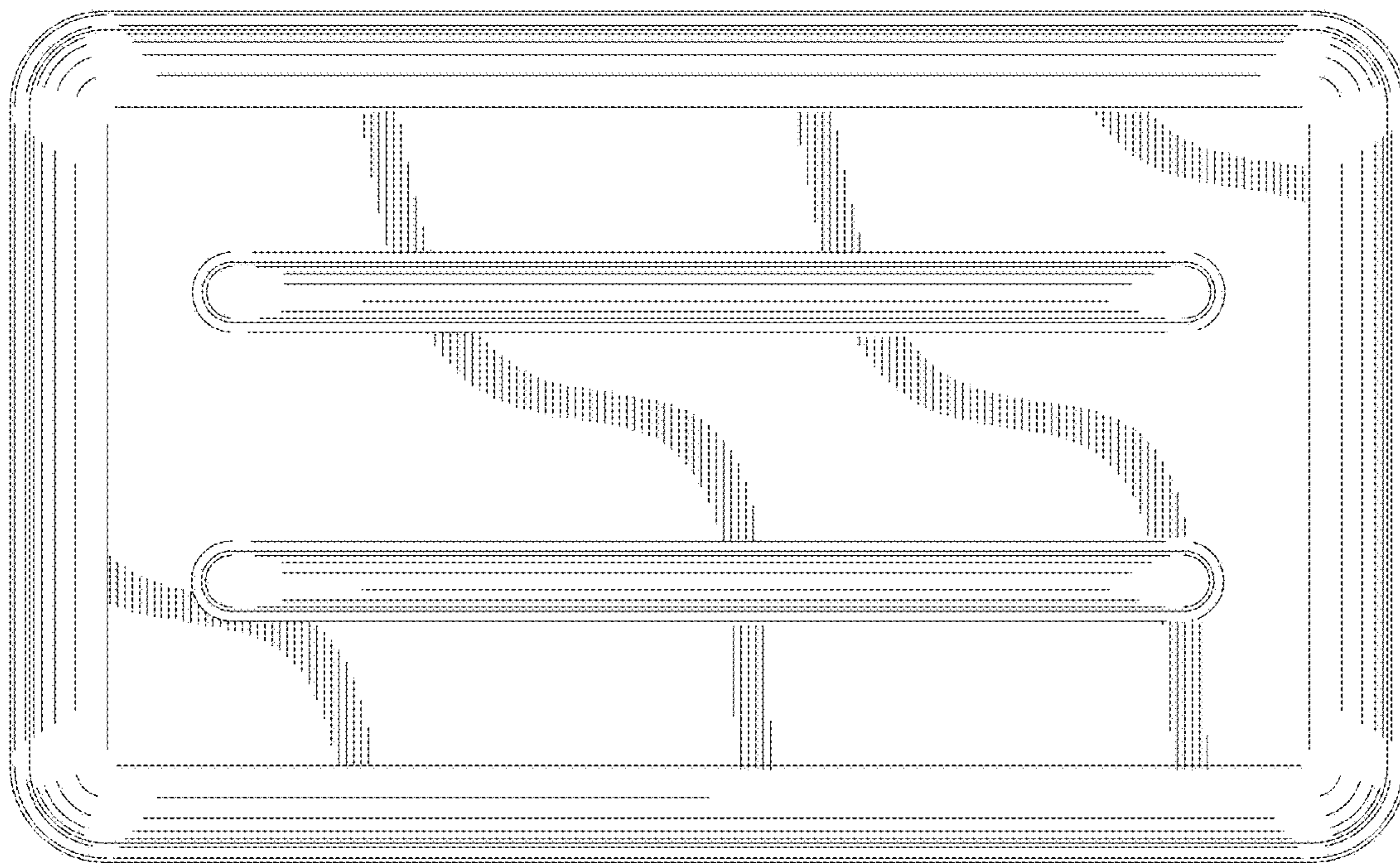


FIG. 3

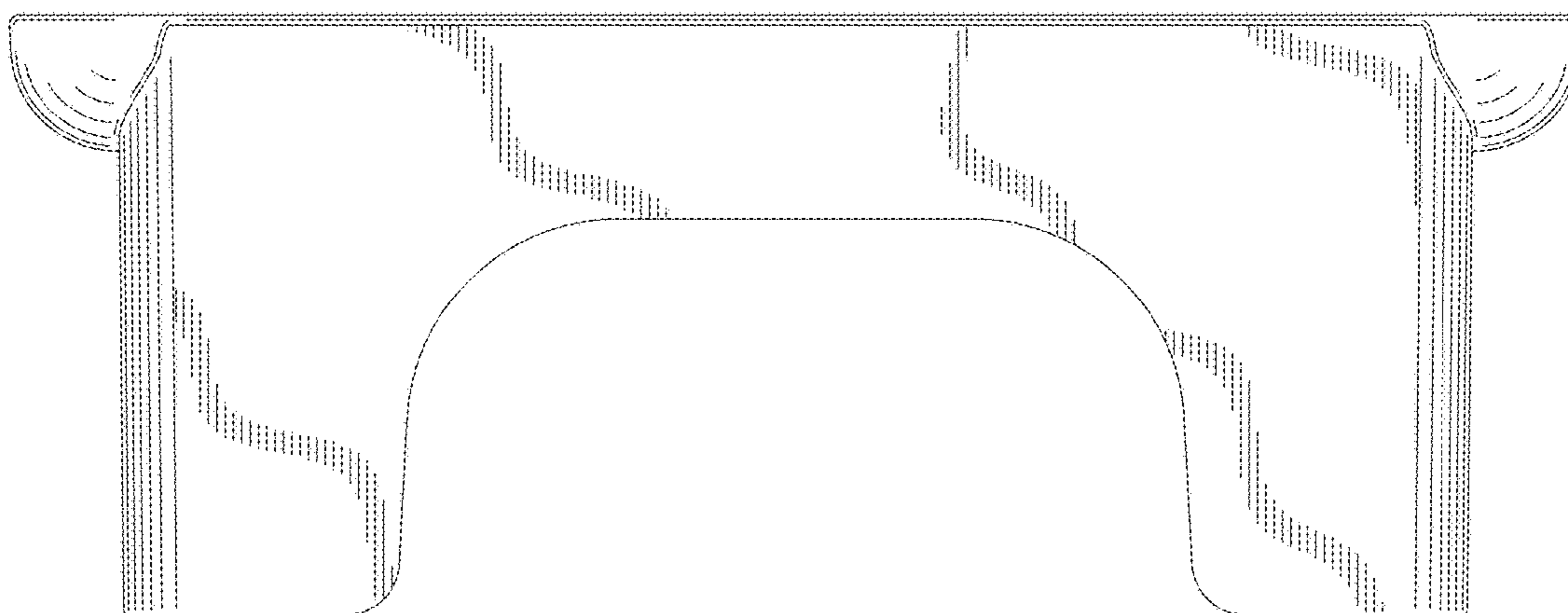


FIG. 4

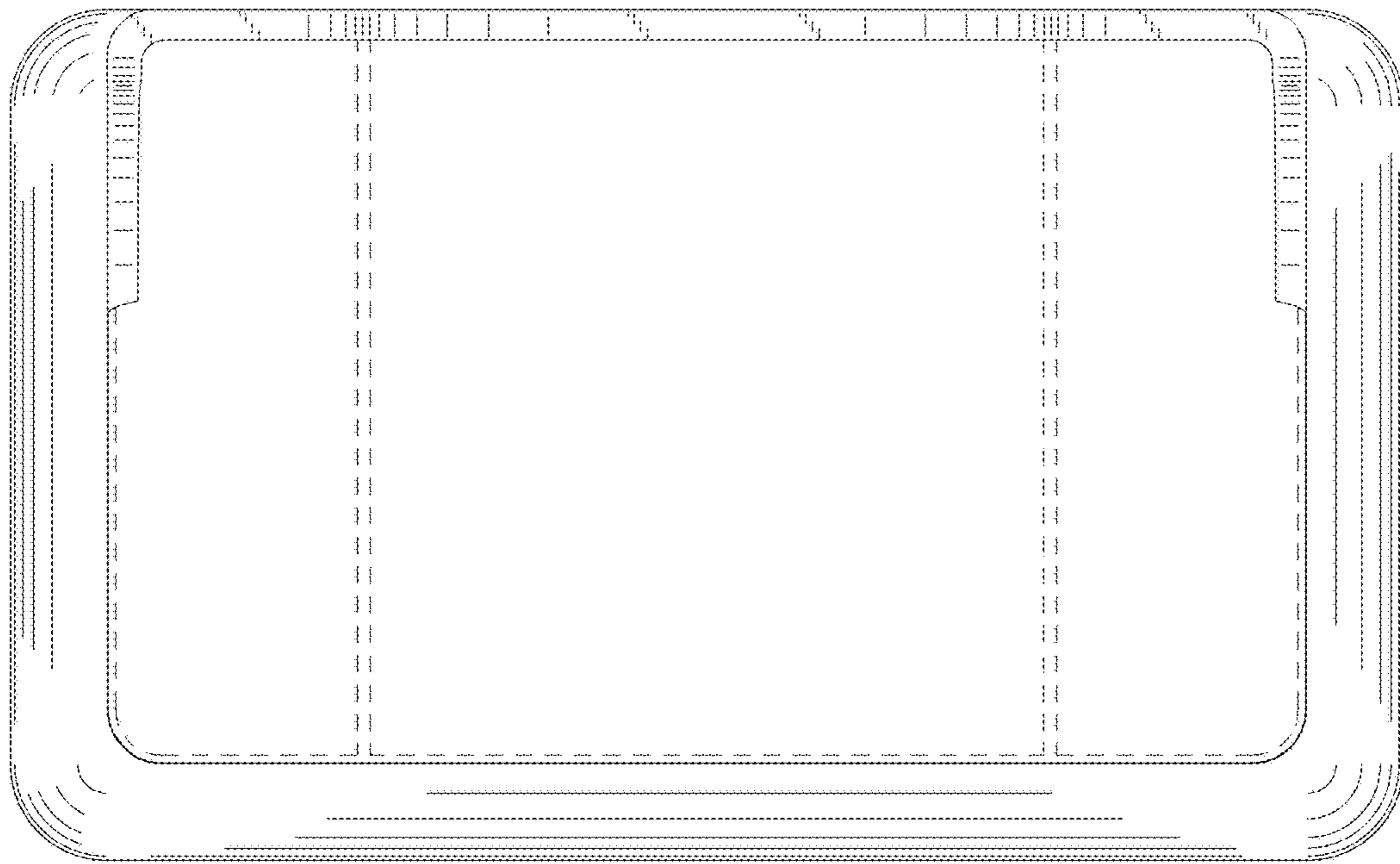


FIG. 5

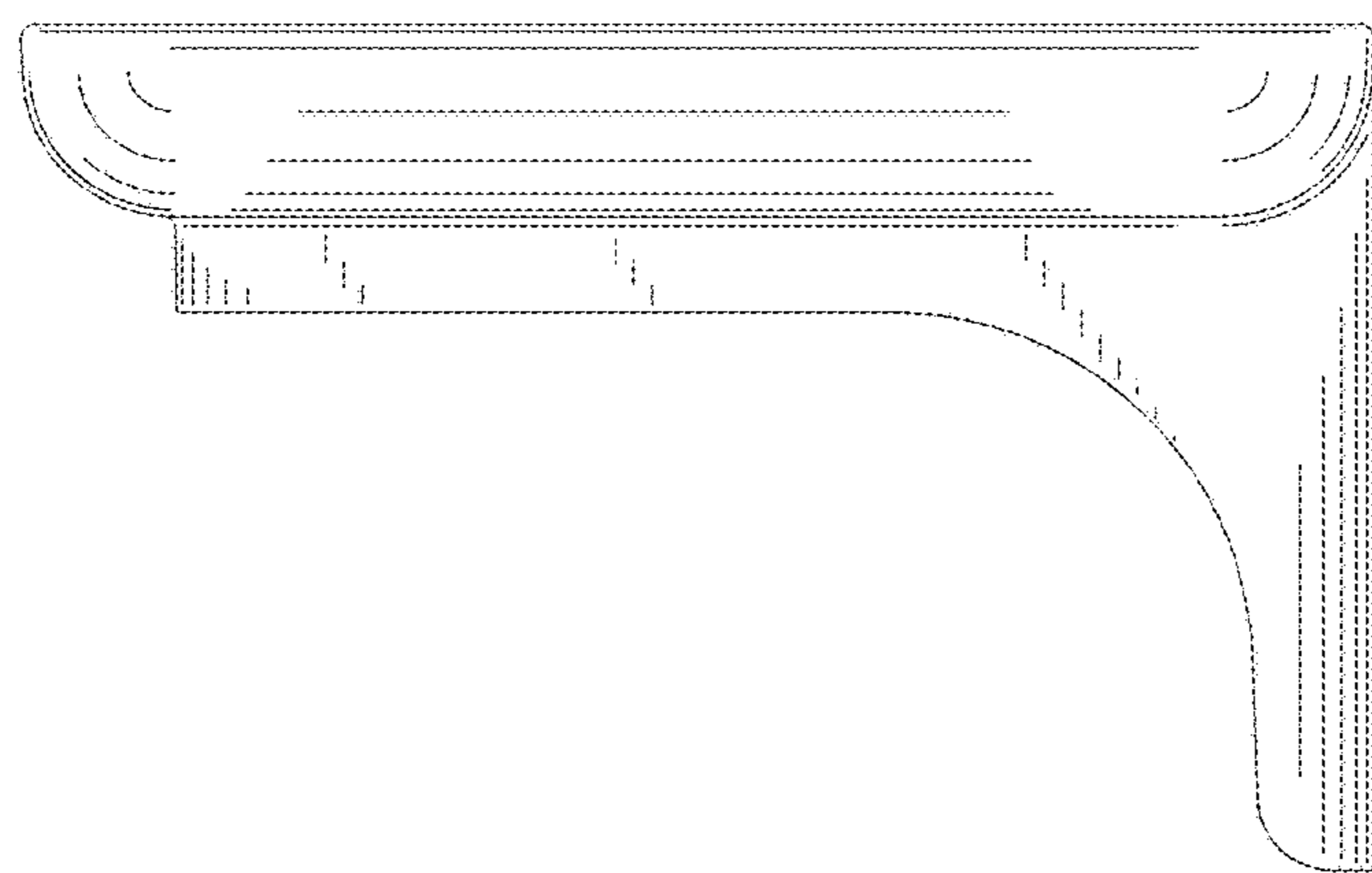


FIG. 6