

US00D866218S

(12) **United States Design Patent** (10) **Patent No.:** **US D866,218 S**
Klieman (45) **Date of Patent:** **** *Nov. 12, 2019**

(54) **SOAP DISH**
(71) Applicant: **Jon Klieman**, Livemore, CA (US)
(72) Inventor: **Jon Klieman**, Livemore, CA (US)
(*) Notice: This patent is subject to a terminal disclaimer.
(**) Term: **15 Years**
(21) Appl. No.: **29/628,942**
(22) Filed: **Dec. 8, 2017**
(51) **LOC (12) Cl.** **23-02**
(52) **U.S. Cl.**
USPC **D6/536**
(58) **Field of Classification Search**
USPC D6/536, 708.18, 529, 532, 539-540;
D7/502, 550.1, 554.2; D30/121, 128,
D30/130, 132, 133; 108/154, 155;
206/557, 823; D28/73
CPC A47K 5/03; A47K 5/02
See application file for complete search history.

D713,652 S * 9/2014 Barclay D6/536
D785,969 S * 5/2017 Burrow D6/536
D805,804 S * 12/2017 Li D6/536

* cited by examiner

Primary Examiner — Wan Laymon
Assistant Examiner — Mark Booker
(74) *Attorney, Agent, or Firm* — Gerald R. Prettyman

(57) **CLAIM**

The ornamental design for a soap dish, as shown and described.

DESCRIPTION

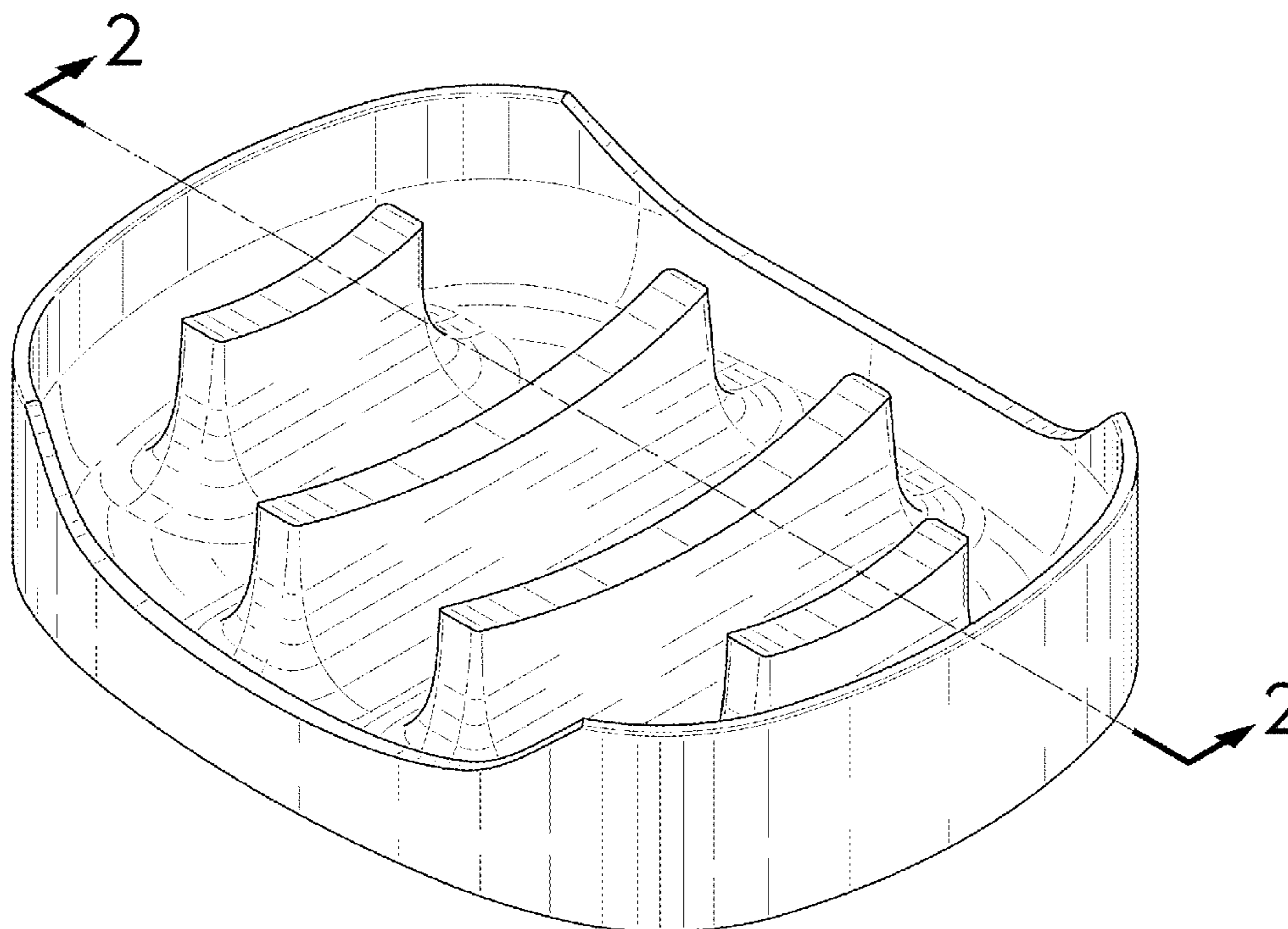
FIG. 1 is a perspective view of a soap dish, showing my new design;
FIG. 2 is a sectional perspective view taken along lines 2-2 from FIG. 1 thereof;
FIG. 3 is a top plan view thereof;
FIG. 4 is a sectional view of a right side elevation view taken along lines 4-4 from FIG. 3 thereof;
FIG. 5 is a right side elevation view, the left side is a mirror image thereof;
FIG. 6 is a first end elevation view, the second end view is a mirror image thereof; and,
FIG. 7 is a bottom plan view thereof.
The right side elevation view is a mirror image of the left side.
The second end view is a mirror image of the first end view.

1 Claim, 5 Drawing Sheets

(56) **References Cited**

U.S. PATENT DOCUMENTS

D351,304 S * 10/1994 Glass D6/536
D385,137 S * 10/1997 von Seidel D6/536
D599,595 S * 9/2009 Dretzka D6/536
D615,789 S * 5/2010 Scott D6/536
D619,396 S * 7/2010 Snell D6/536



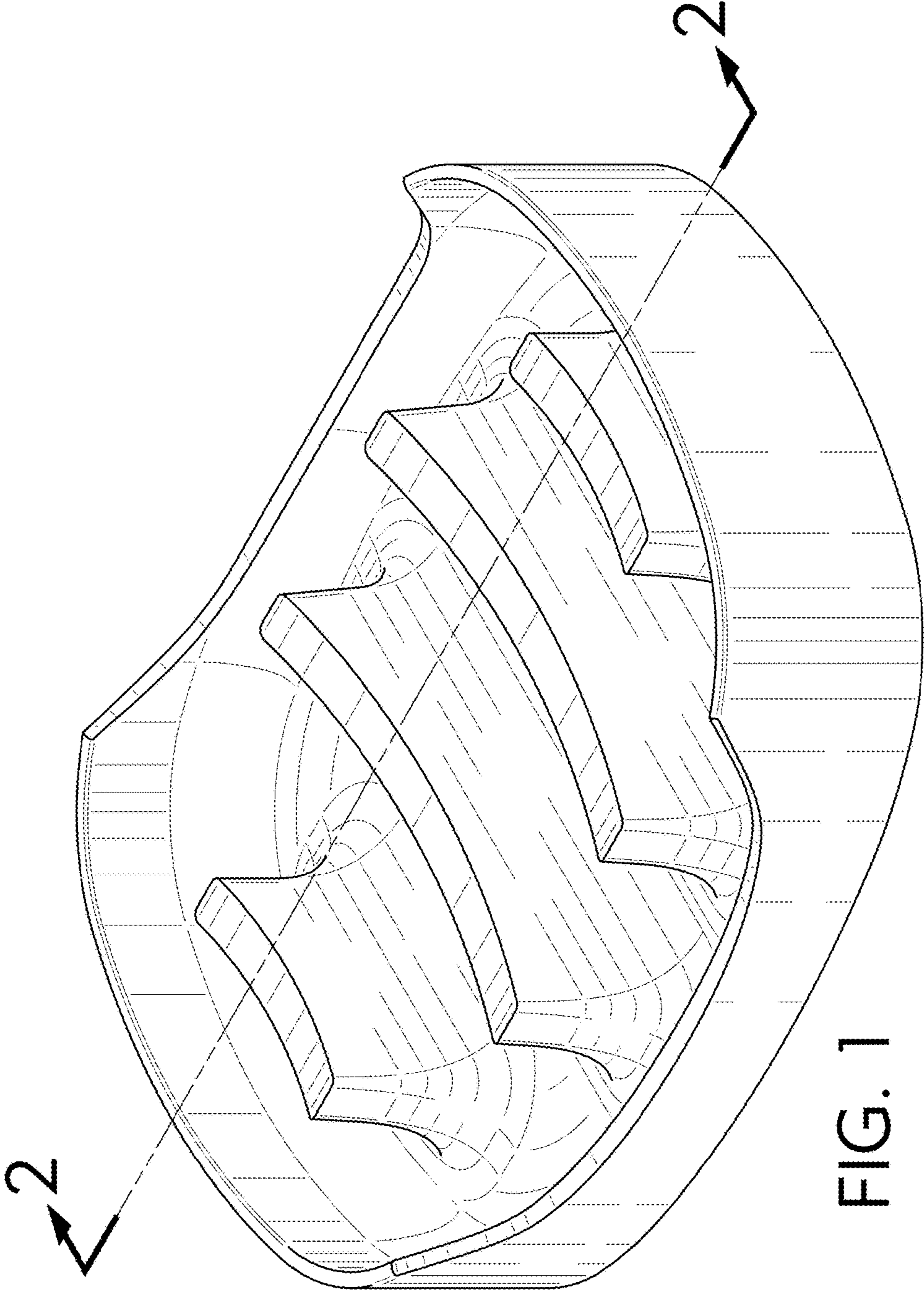


FIG. 1

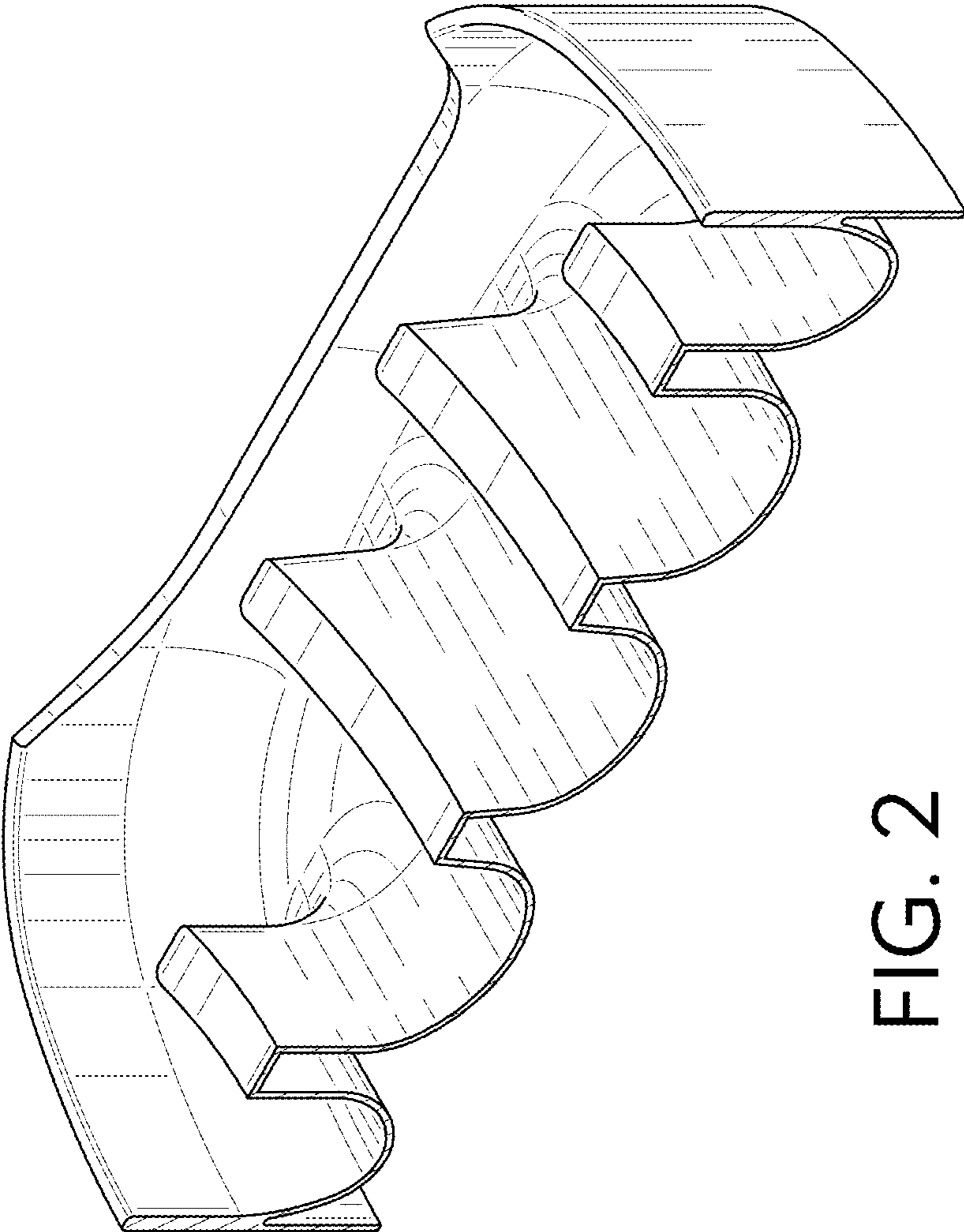


FIG. 2

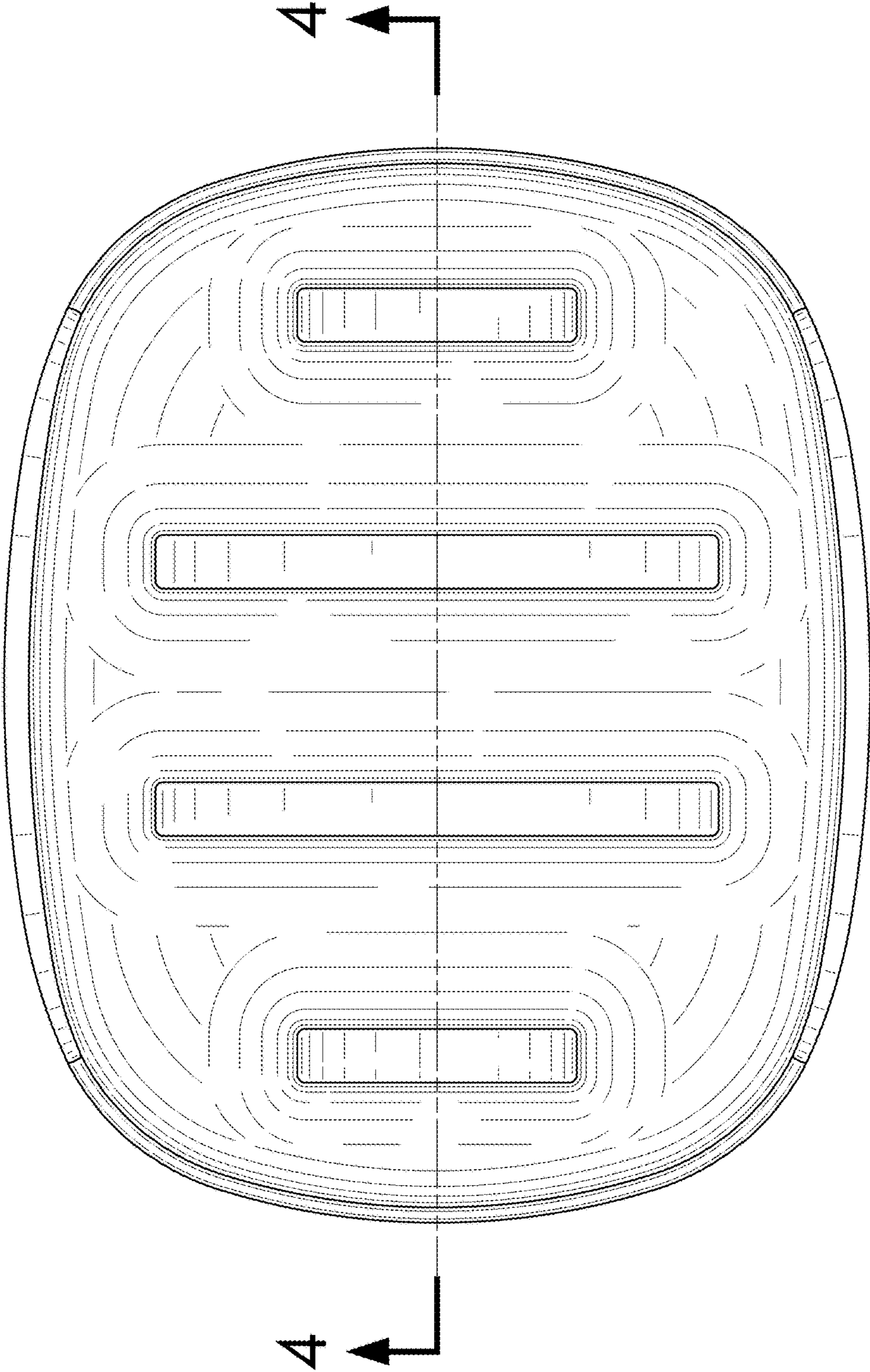


FIG. 3

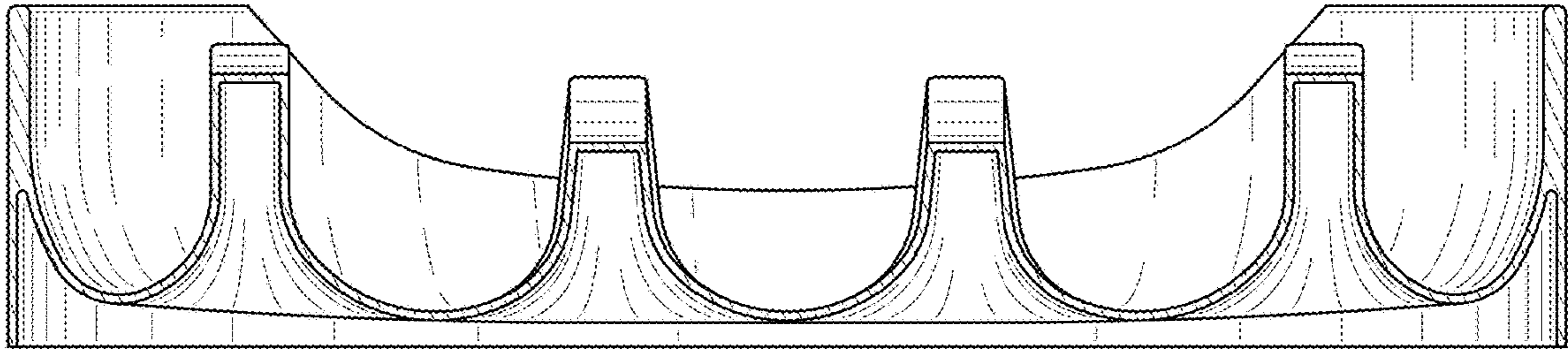


FIG. 4

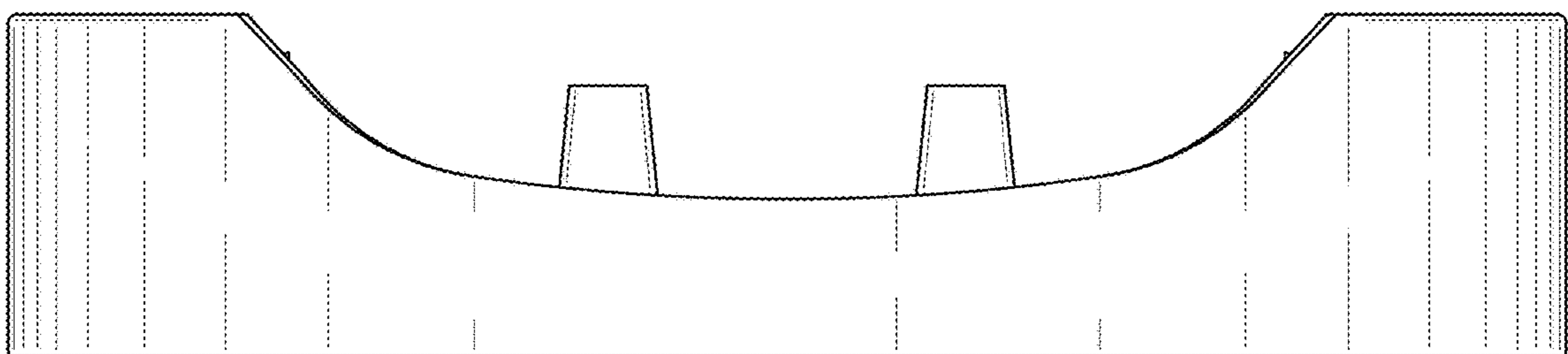


FIG. 5

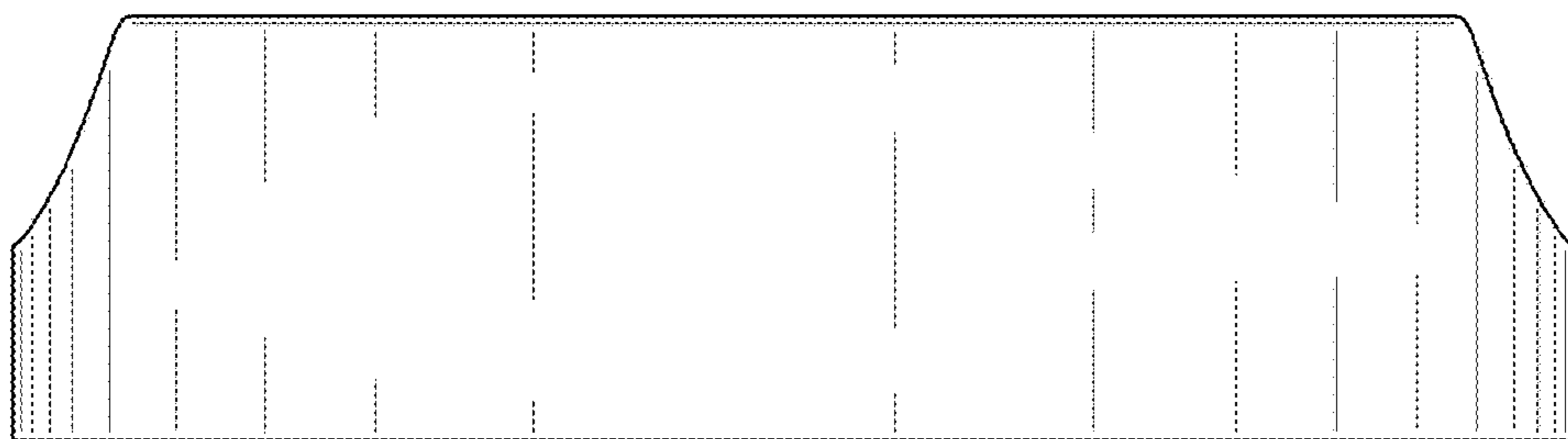


FIG. 6

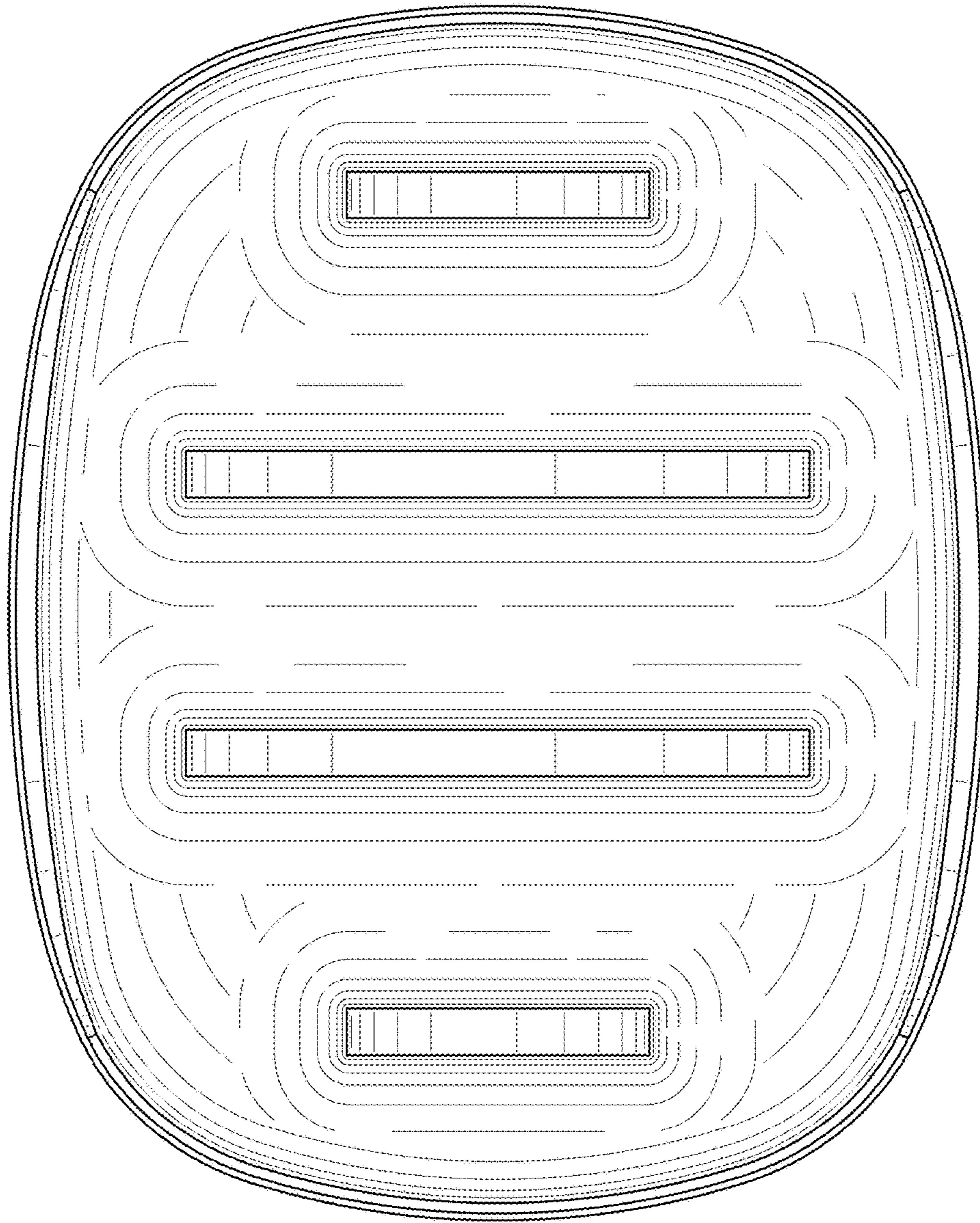


FIG. 7