



US00D866215S

(12) **United States Design Patent** (10) **Patent No.:** **US D866,215 S**
Lenhart et al. (45) **Date of Patent:** **** Nov. 12, 2019**

(54) **CLASSROOM CHAIR**
(71) Applicant: **Krueger International, Inc.**, Green Bay, WI (US)
(72) Inventors: **Tad Edward Lenhart**, Cedarburg, WI (US); **Scott Anthony Bosman**, Green Bay, WI (US); **Xeng Xue Vang**, Green Bay, WI (US)
(73) Assignee: **Krueger International, Inc.**, Green Bay, WI (US)

D431,380 S * 10/2000 Hutton D6/360
D432,806 S * 10/2000 Gomez D6/379
D443,151 S * 6/2001 Frinier D6/379
D478,430 S † 8/2003 Olson D6/380
D524,072 S * 7/2006 King D6/379
D580,676 S * 11/2008 Cramer D6/379
D648,557 S * 11/2011 Frinier D6/369
D661,918 S * 6/2012 Ciani D6/375
D663,131 S * 7/2012 Barefoot D6/374
D676,690 S † 2/2013 Pheasant D6/716
D686,009 S † 7/2013 Mari D6/379

(Continued)

(**) Term: **15 Years**
(21) Appl. No.: **29/689,527**
(22) Filed: **Apr. 30, 2019**

Related U.S. Application Data

(62) Division of application No. 29/573,031, filed on Aug. 2, 2016.
(51) **LOC (12) Cl.** **06-01**
(52) **U.S. Cl.**
USPC **D6/380**
(58) **Field of Classification Search**
USPC D6/334, 349, 364-366, 374, 375, 379, D6/380, 716, 716.7
CPC .. A47C 5/12; A47C 1/12; A47C 1/121; A47C 1/126; A47C 1/16
See application file for complete search history.

(56) **References Cited**

U.S. PATENT DOCUMENTS

D179,036 S † 10/1956 Rothenstein D6/334
D195,256 S † 5/1963 Anderson et al. 297/44
D195,257 S † 5/1963 Anderson et al. 297/41
D334,296 S † 3/1993 Hutton D6/334
D395,758 S † 7/1998 Hutton D6/334
D396,563 S * 8/1998 Meijer D6/334
D406,198 S † 3/1999 Lin D6/379

OTHER PUBLICATIONS

http://www.kieurope.com/education/products/products/by_range/ruckus/ruckus_-_task_chair/ (Year: 2017).*

Primary Examiner — Manpreet S Matharu
Assistant Examiner — Keith J Wilson
(74) *Attorney, Agent, or Firm* — Andrus Intellectual Property Law, LLP

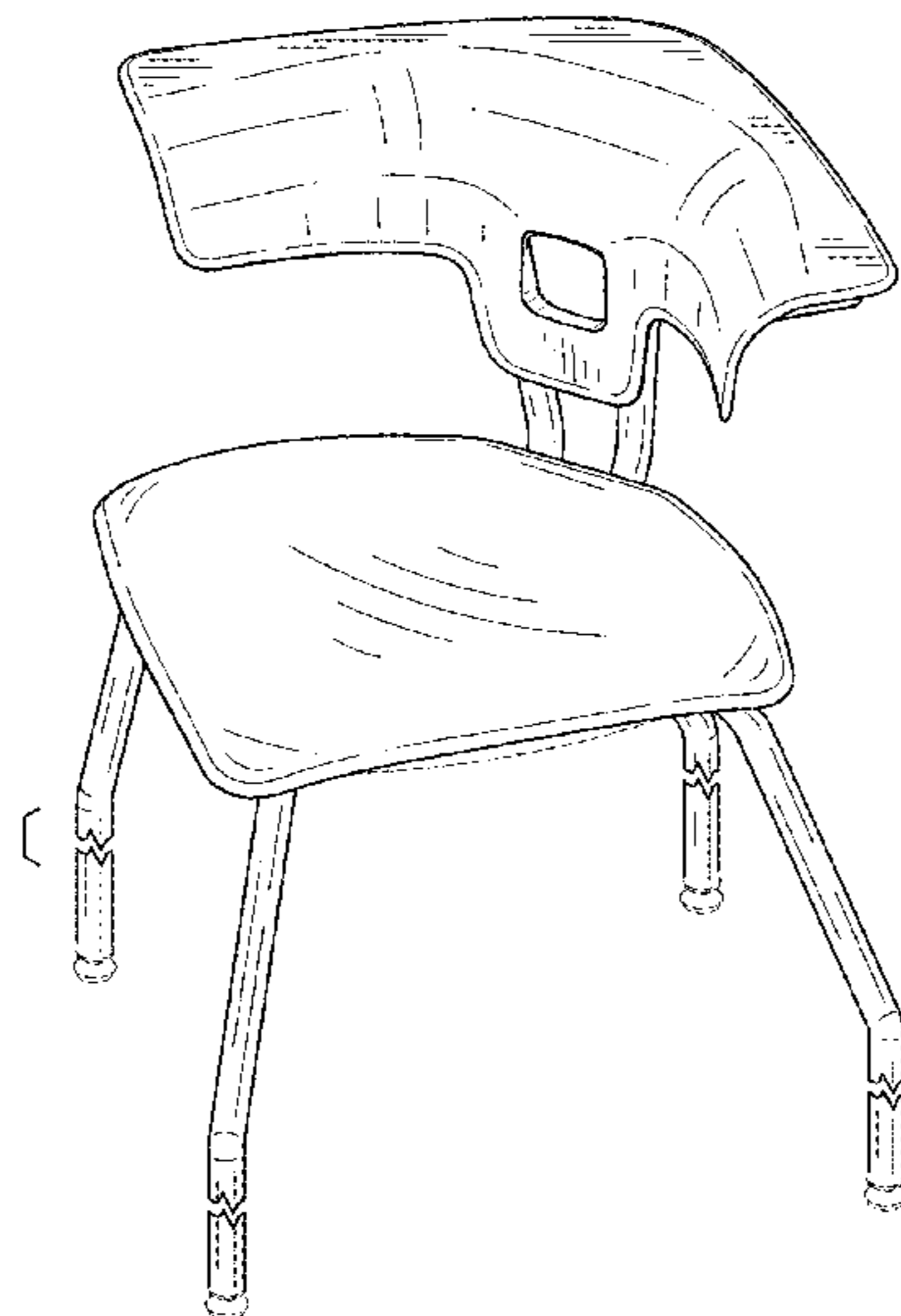
(57) **CLAIM**

The ornamental design for a classroom chair, as shown and described.

DESCRIPTION

FIG. 1 is a front isometric view of a first embodiment of a classroom chair;
FIG. 2 is a front elevation view thereof;
FIG. 3 is a rear elevation view thereof;
FIG. 4 is a right side elevation view thereof;
FIG. 5 is a left side elevation view thereof;
FIG. 6 is a top plan view thereof; and,
FIG. 7 is a bottom plan view thereof.
The broken lines in the drawing views are included for purposes of illustrating environment and form no part of the claimed design. The broken sections shown in the drawing views are meant to disclose indeterminate length.

1 Claim, 4 Drawing Sheets



(56)

References Cited

U.S. PATENT DOCUMENTS

D726,432	S	‡	4/2015	Ye	D6/375
D726,435	S	‡	4/2015	Ye	D6/380
D730,069	S	*	5/2015	Thuma	D6/336
D802,958	S	*	11/2017	Lowsky	D6/379
D805,316	S	*	12/2017	Lowsky	D6/379
D810,457	S	*	2/2018	Natuzzi	D6/379
D814,835	S	*	4/2018	Bosman	D6/705.6
D815,452	S	*	4/2018	Hannoosh	D6/380
D821,770	S	*	7/2018	Dassen	D6/375
D821,774	S	*	7/2018	Hale	D6/375
D839,651	S	*	2/2019	Green	D6/716.1

* cited by examiner

‡ imported from a related application

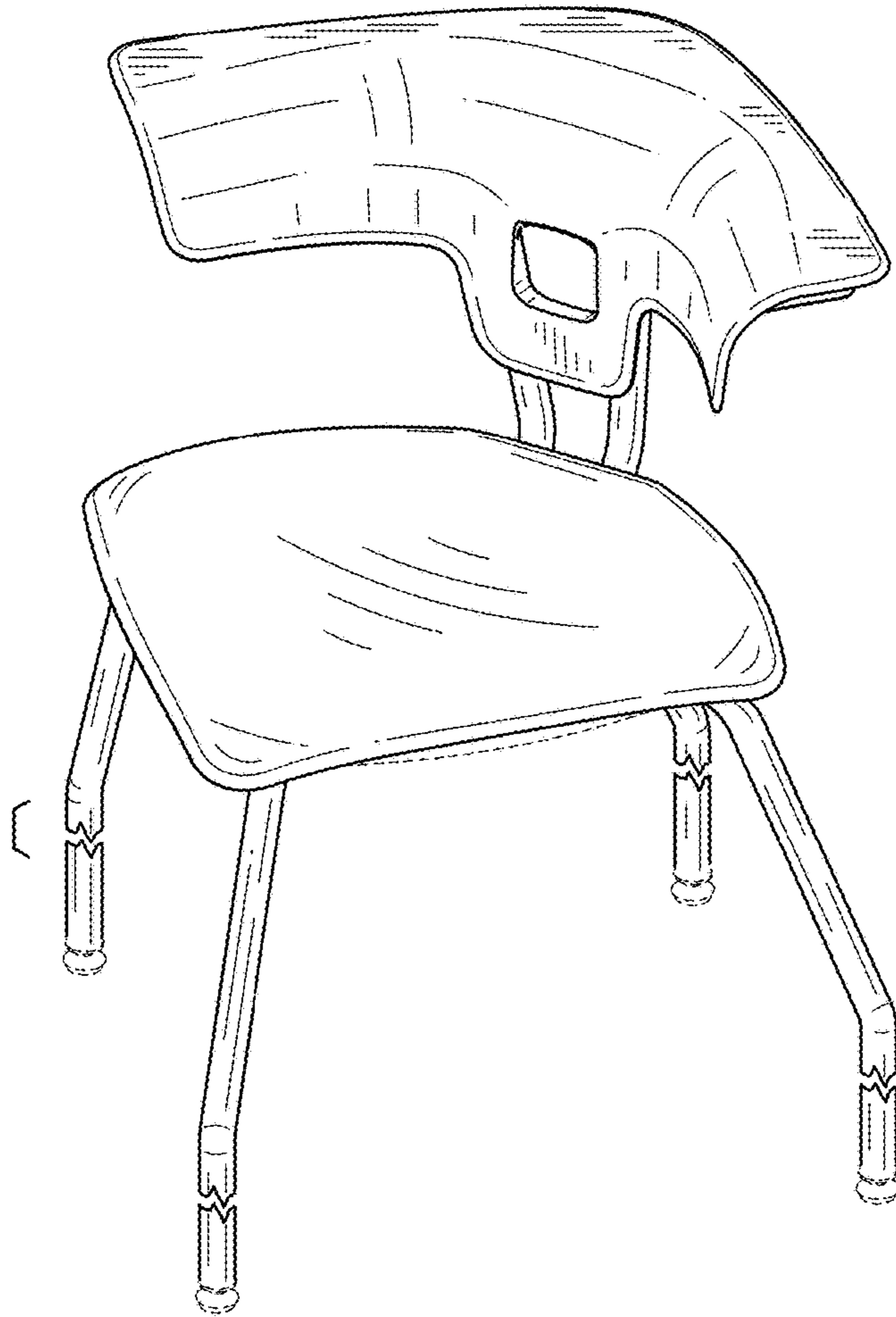


FIG. 1

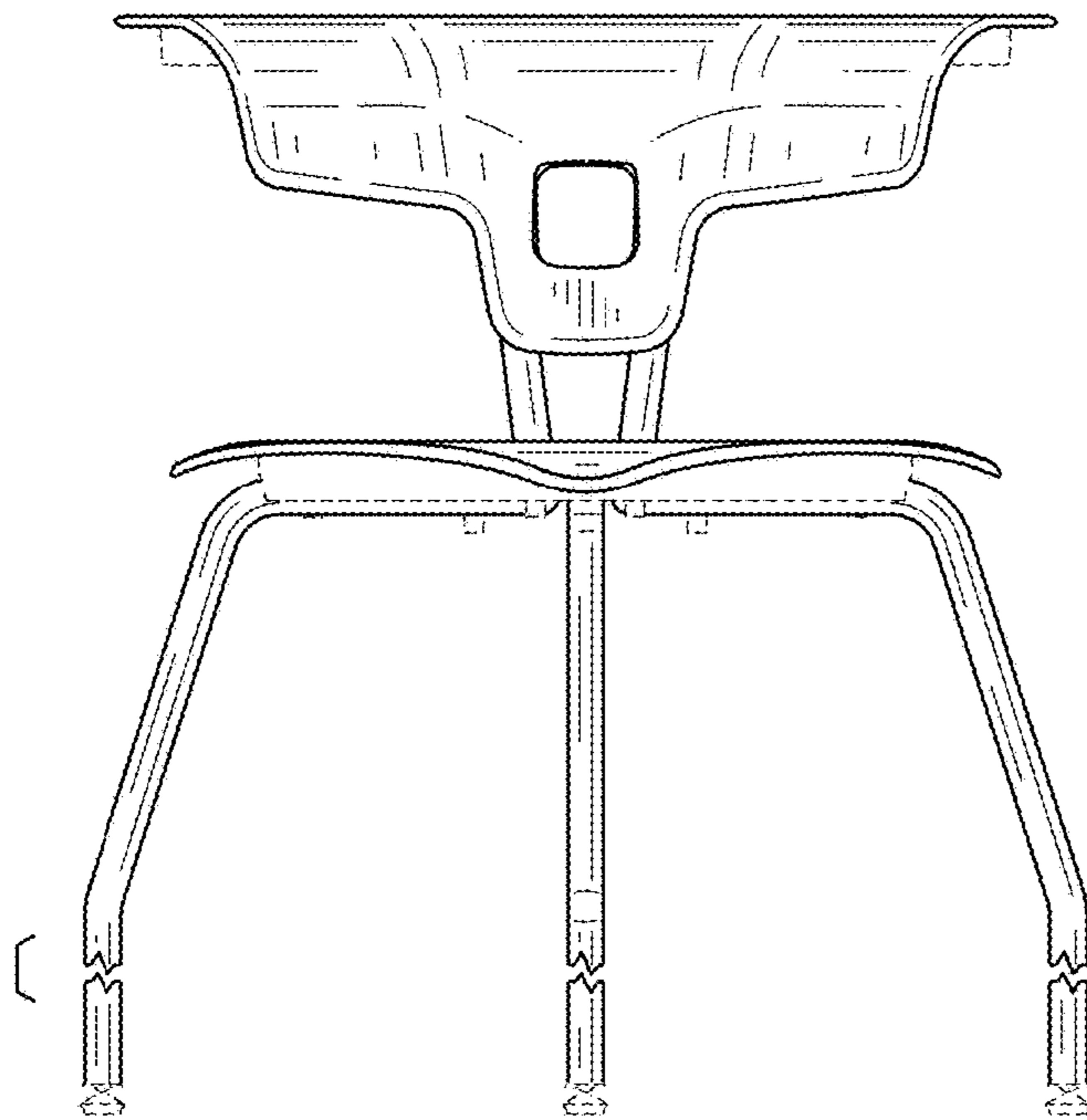
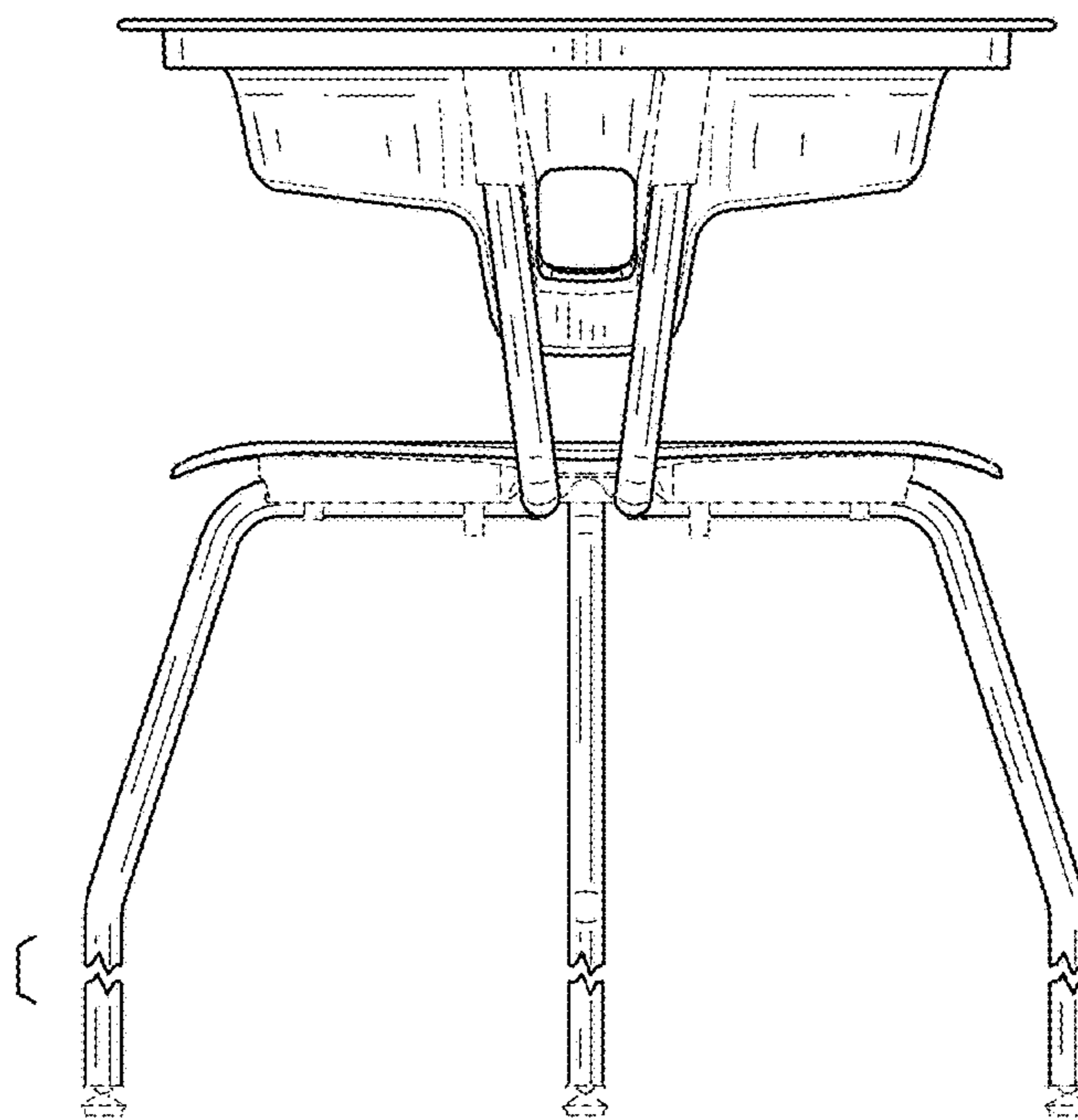


FIG. 2

FIG. 3



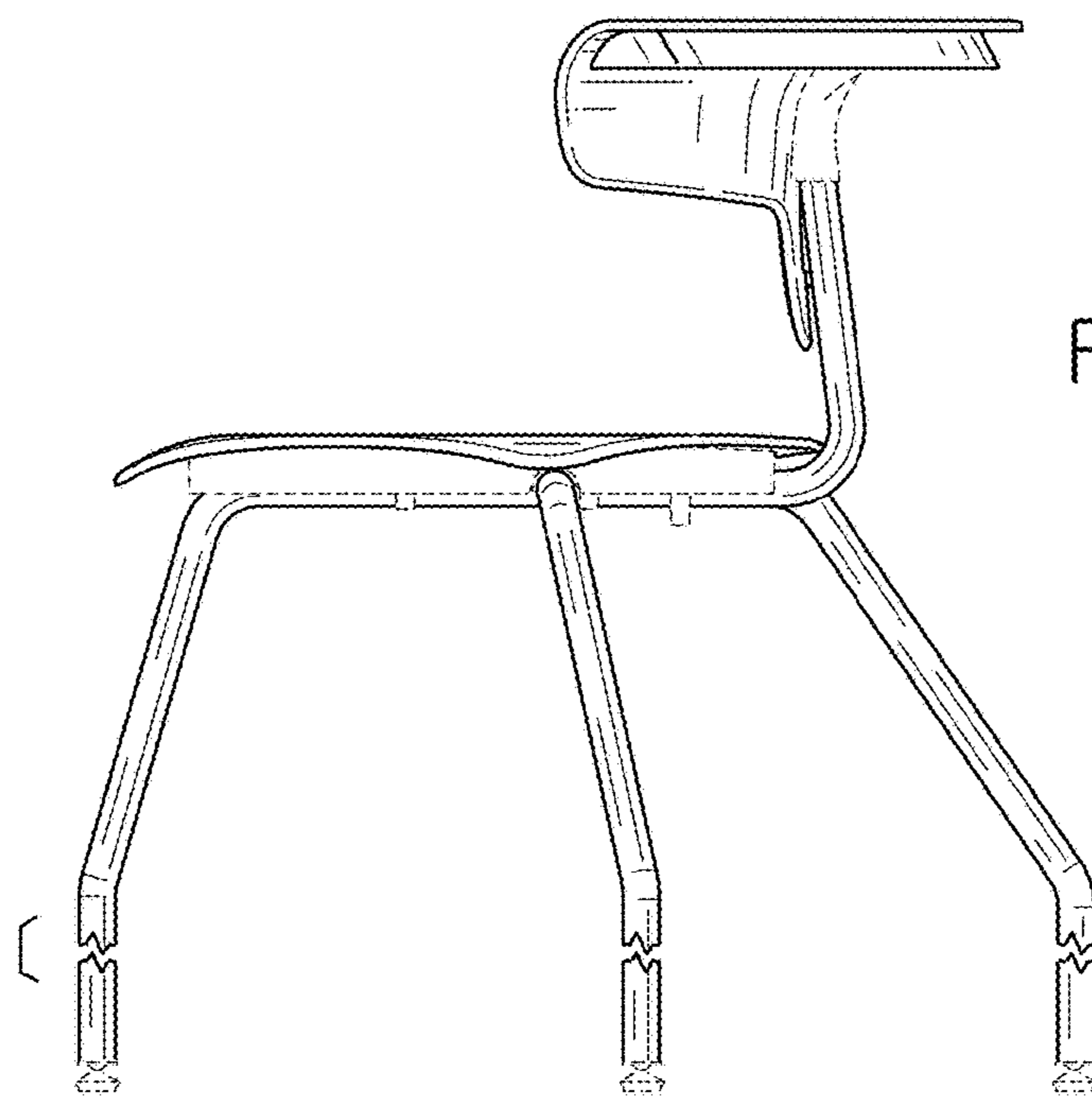


FIG. 4

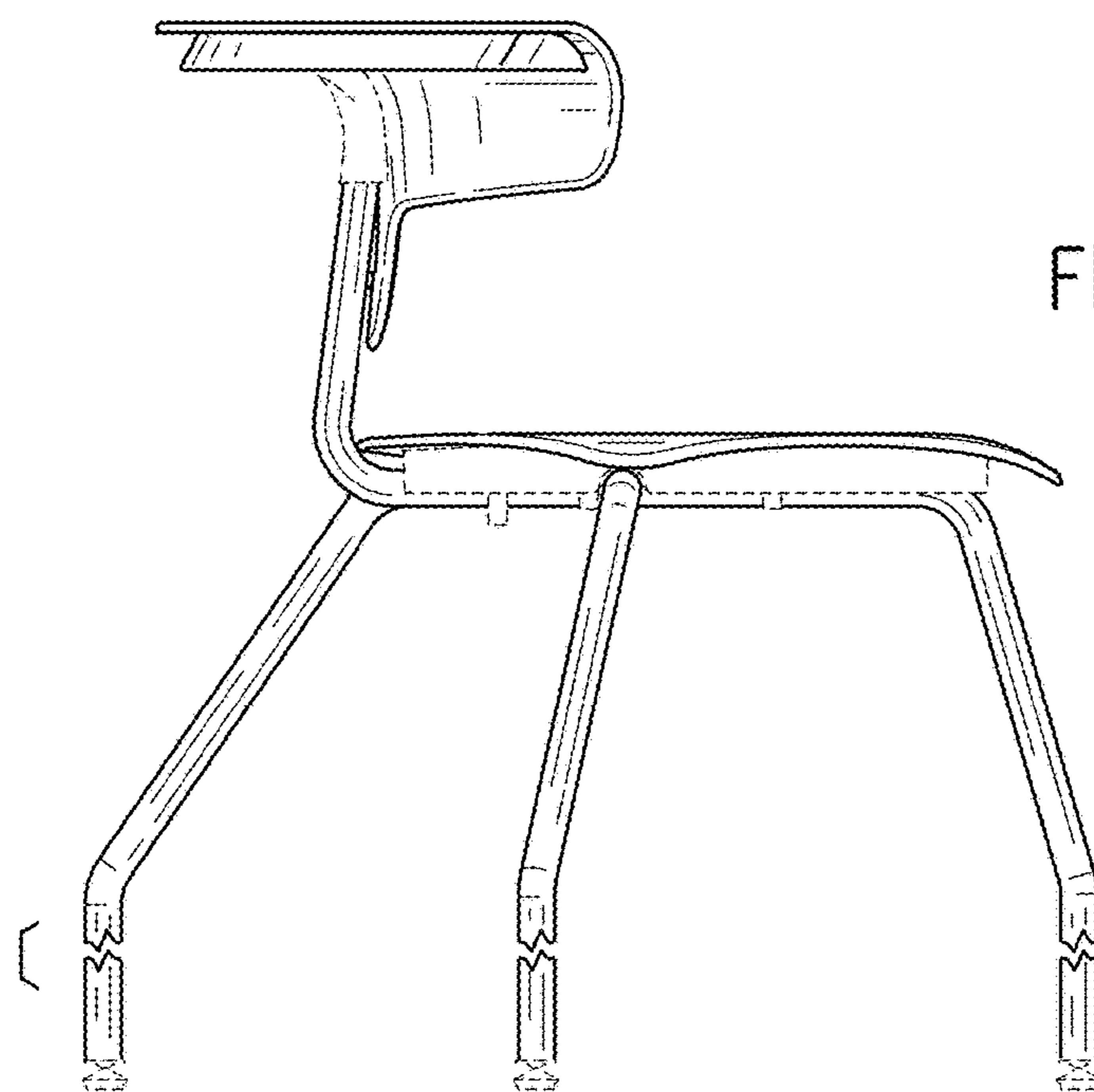


FIG. 5

FIG. 6

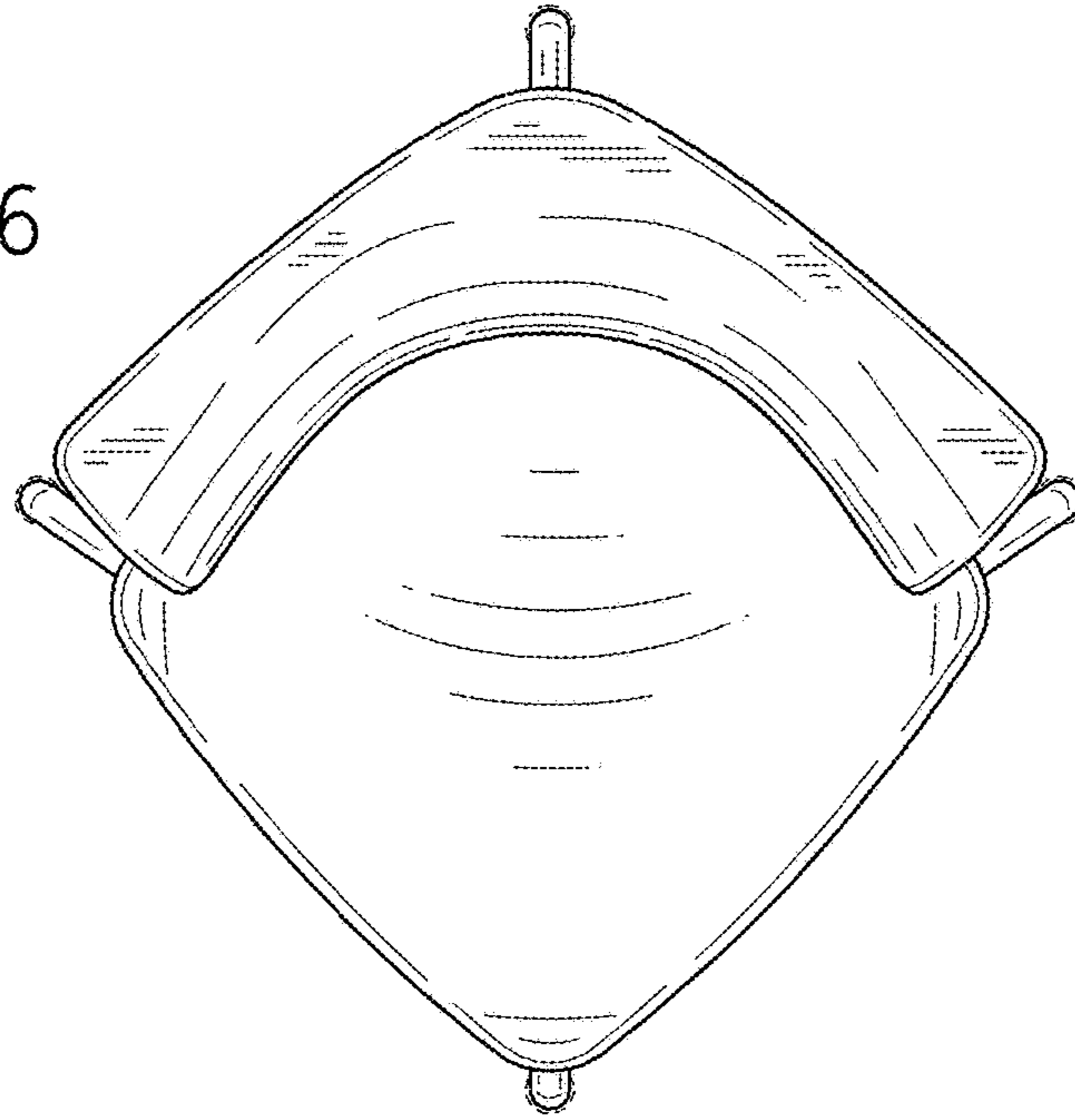


FIG. 7

