



US00D866214S

(12) **United States Design Patent**  
**Engelhardt**

(10) **Patent No.:** **US D866,214 S**

(45) **Date of Patent:** **\*\* Nov. 12, 2019**

(54) **CHAIR**

(71) Applicant: **Dauphin Entwicklungs- u. Beteiligungs-GmbH**, Hersbruck (DE)

(72) Inventor: **Jessica Engelhardt**, Nürnberg (DE)

(73) Assignee: **Dauphin Entwicklungs- u. Beteiligungs-GmbH**, Hersbruck (DE)

(\*\*) Term: **15 Years**

(21) Appl. No.: **29/601,238**

(22) Filed: **Apr. 20, 2017**

(30) **Foreign Application Priority Data**

Oct. 21, 2016 (DE) ..... 40 2016 101 301

(51) **LOC (12) Cl.** ..... **06-01**

(52) **U.S. Cl.**  
USPC ..... **D6/376; D6/379**

(58) **Field of Classification Search**  
USPC ..... D6/334-336, 369, 371, 372, 373, 374,  
D6/376, 379, 380, 716, 716.1, 716.2,  
D6/716.3, 716.4

CPC .... A47C 3/04; A47C 4/02; A47C 4/03; A47C  
5/04; A47C 5/06; A47C 7/02; A47C  
7/282; A47C 7/54

See application file for complete search history.

(56) **References Cited**

U.S. PATENT DOCUMENTS

D591,526 S \* 5/2009 Breen ..... D6/379  
D622,974 S \* 9/2010 Igarashi ..... D6/379  
D656,761 S \* 4/2012 Igarashi ..... D6/376  
D817,019 S \* 5/2018 Borrelli ..... D6/376

\* cited by examiner

*Primary Examiner* — Mimoso De

(74) *Attorney, Agent, or Firm* — McGlew and Tuttle, P.C.

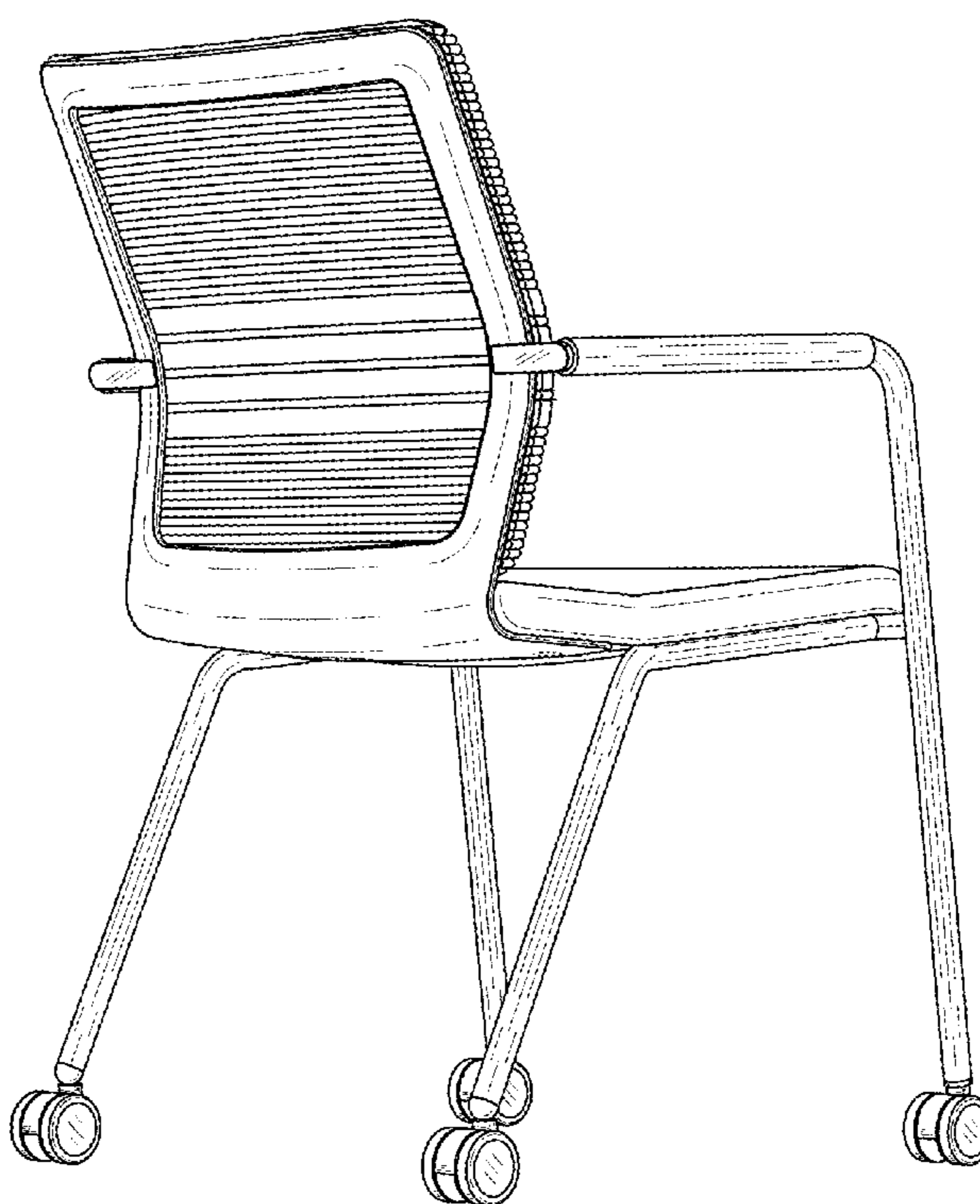
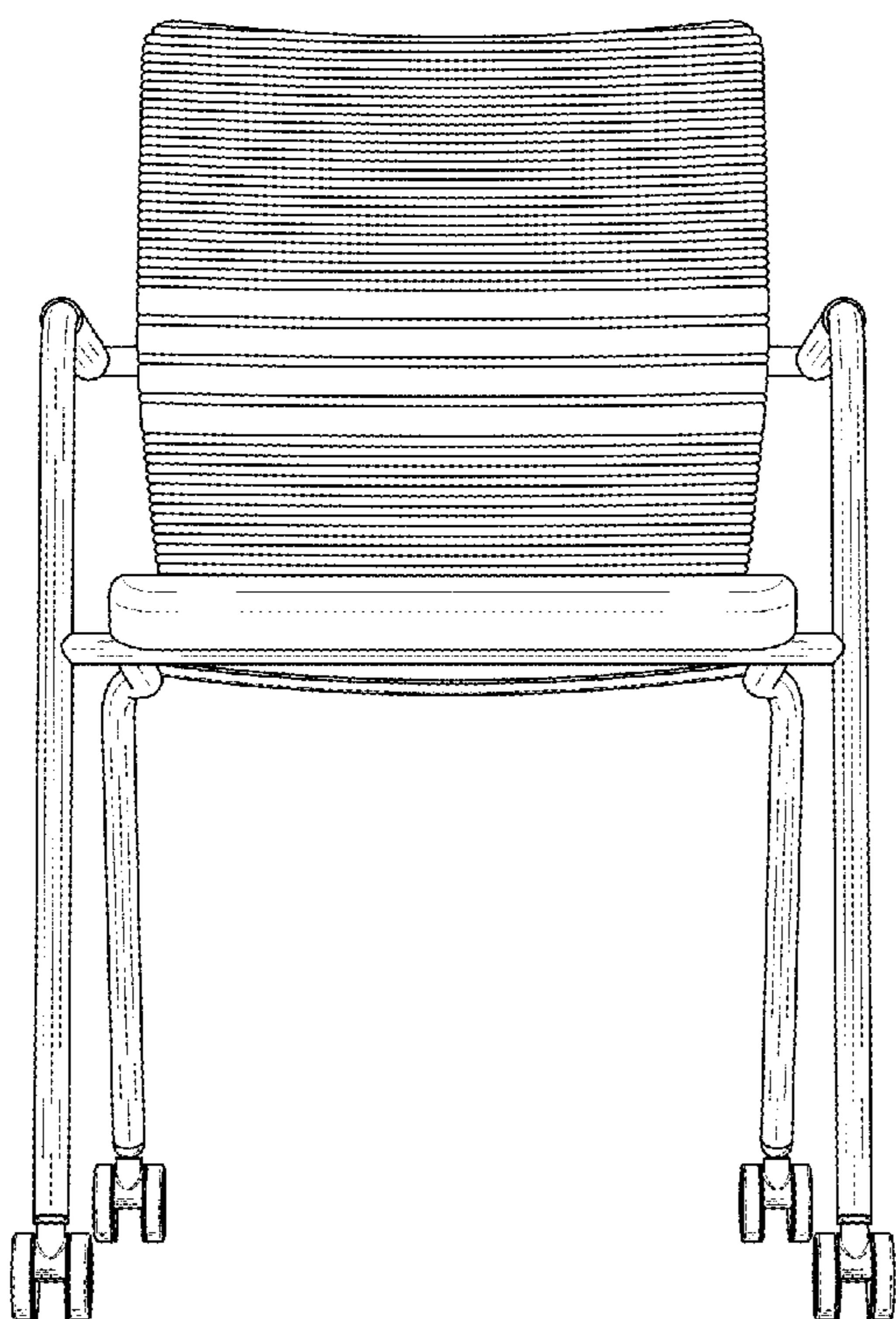
(57) **CLAIM**

The ornamental design for a chair, as shown and described.

**DESCRIPTION**

FIG. 1 is a front view of a chair, showing my new design;  
FIG. 2 is a rear view thereof;  
FIG. 3 is a top view thereof;  
FIG. 4 is a bottom view thereof;  
FIG. 5 is a lateral view (right side) thereof;  
FIG. 6 is a lateral view (left side) thereof; and,  
FIG. 7 is a perspective view thereof.  
The broken lines shown in the figures form no part of the  
claimed design.

**1 Claim, 7 Drawing Sheets**



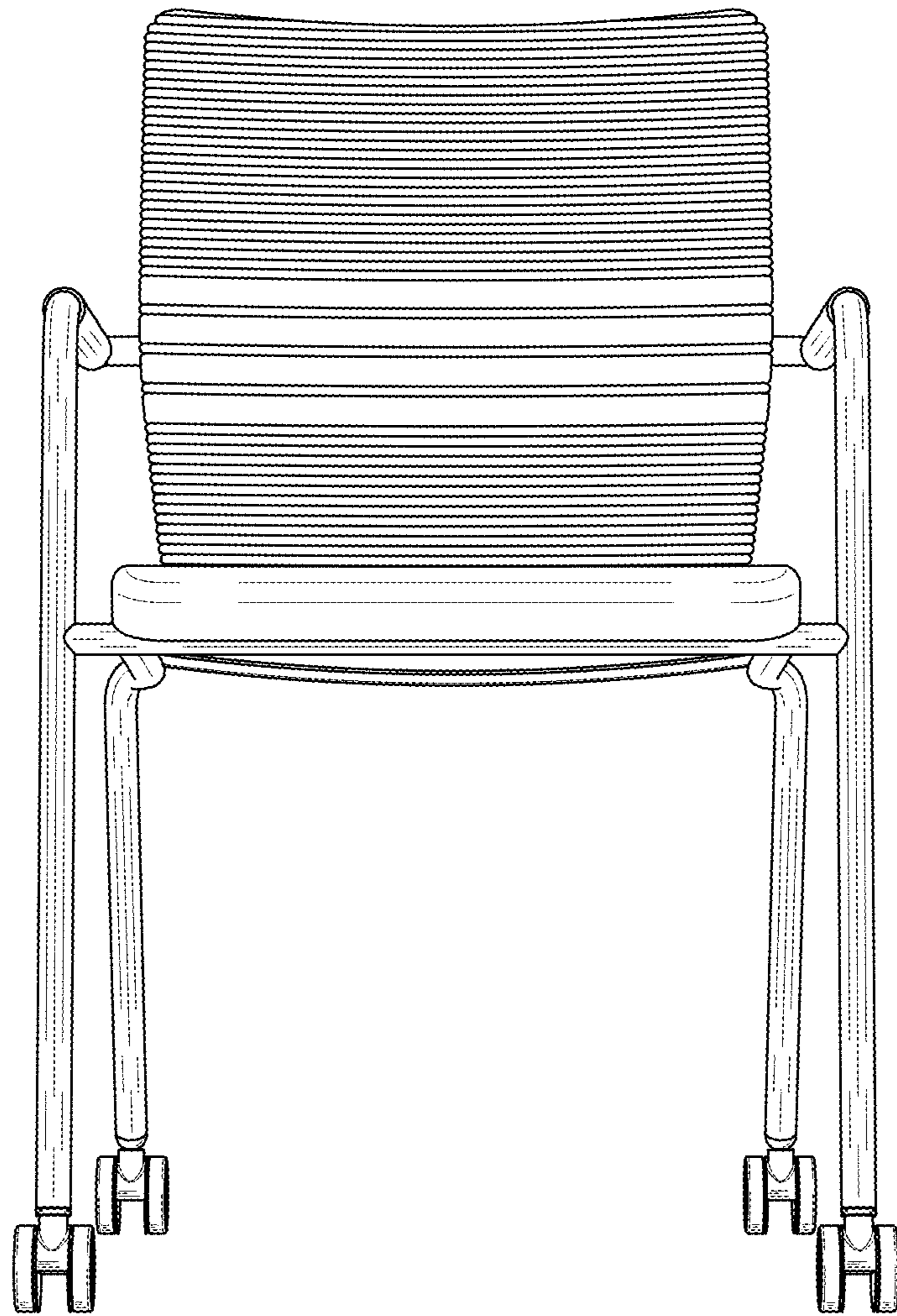


Fig. 1

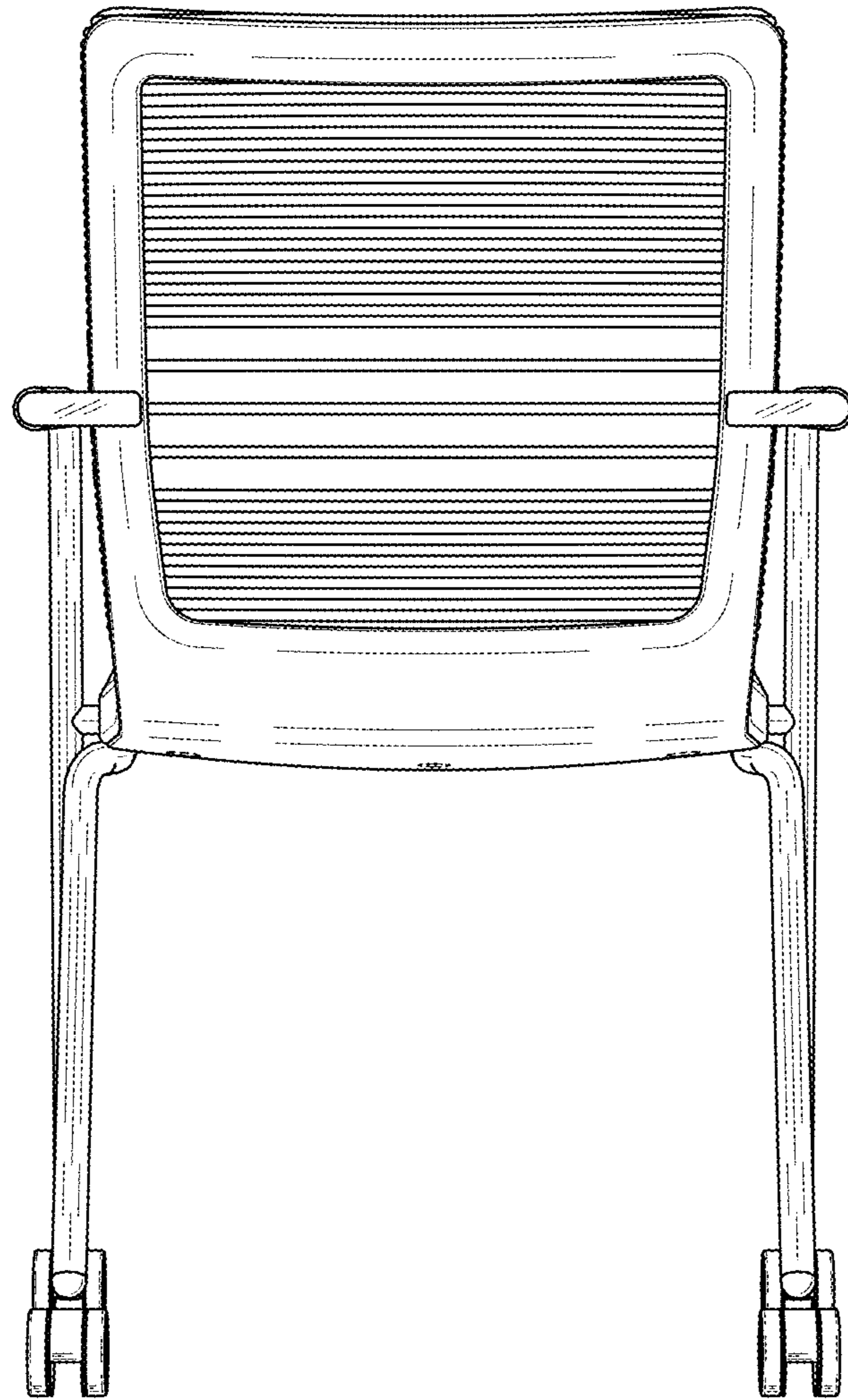


Fig. 2

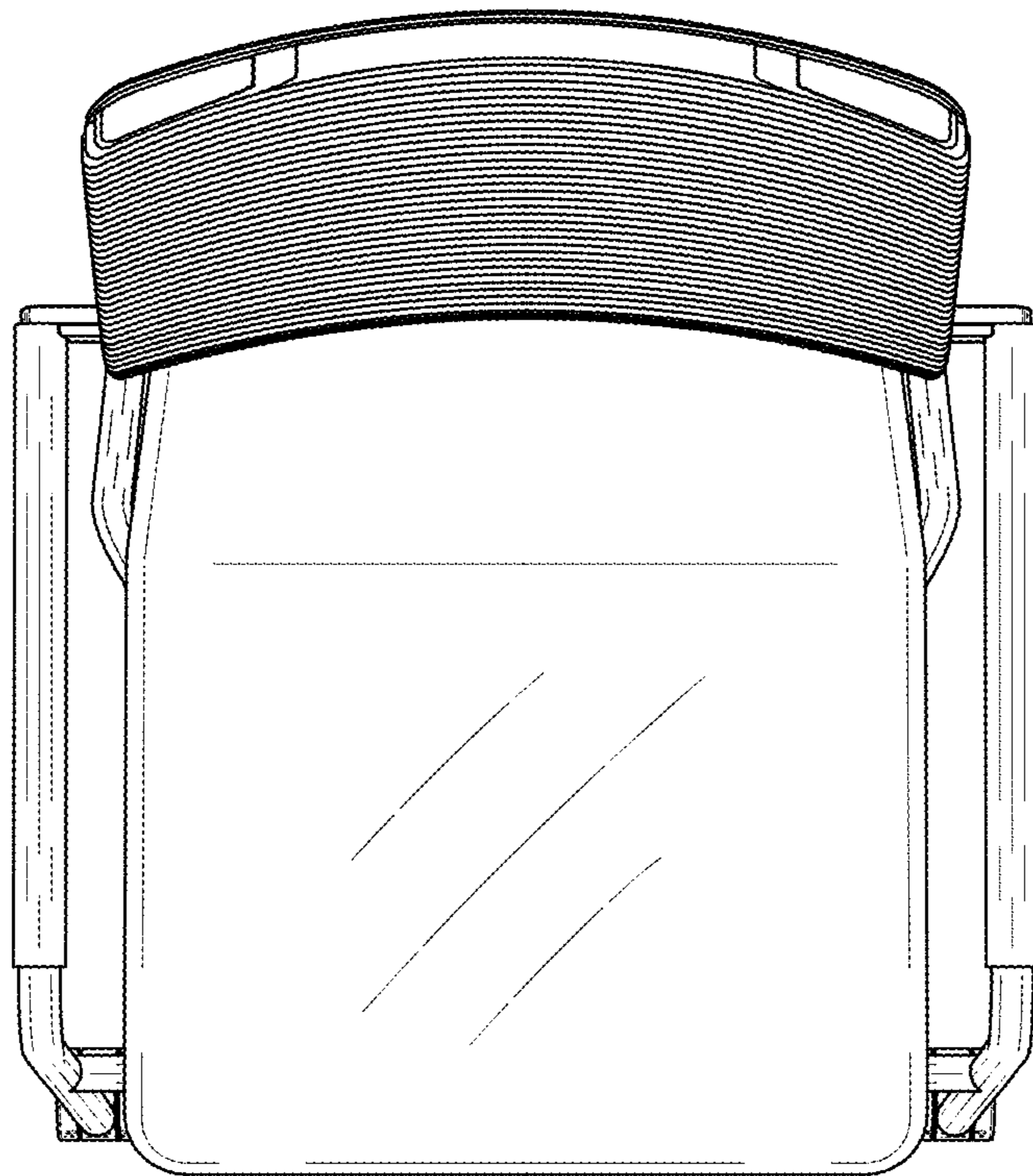


Fig. 3

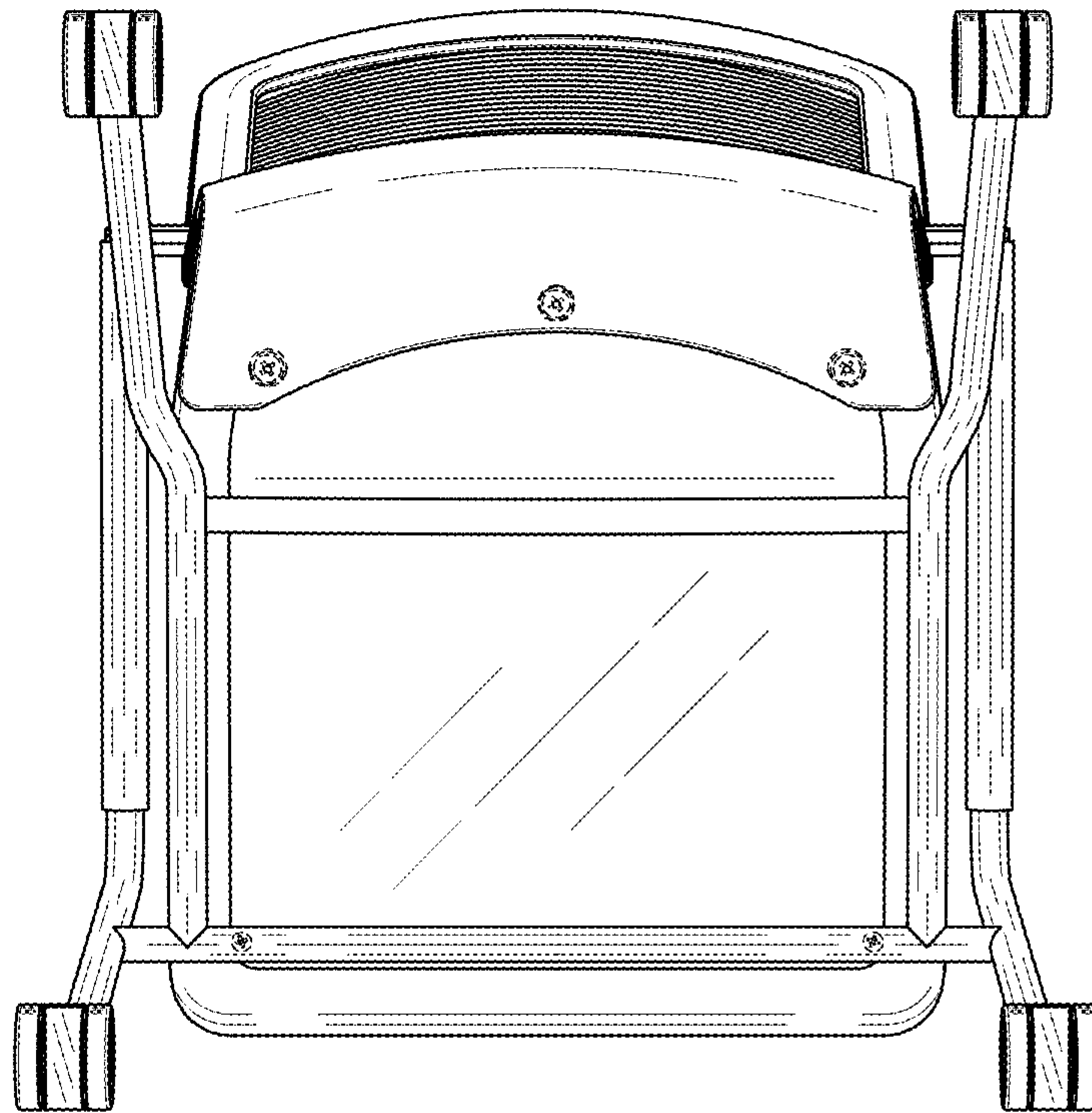


Fig. 4

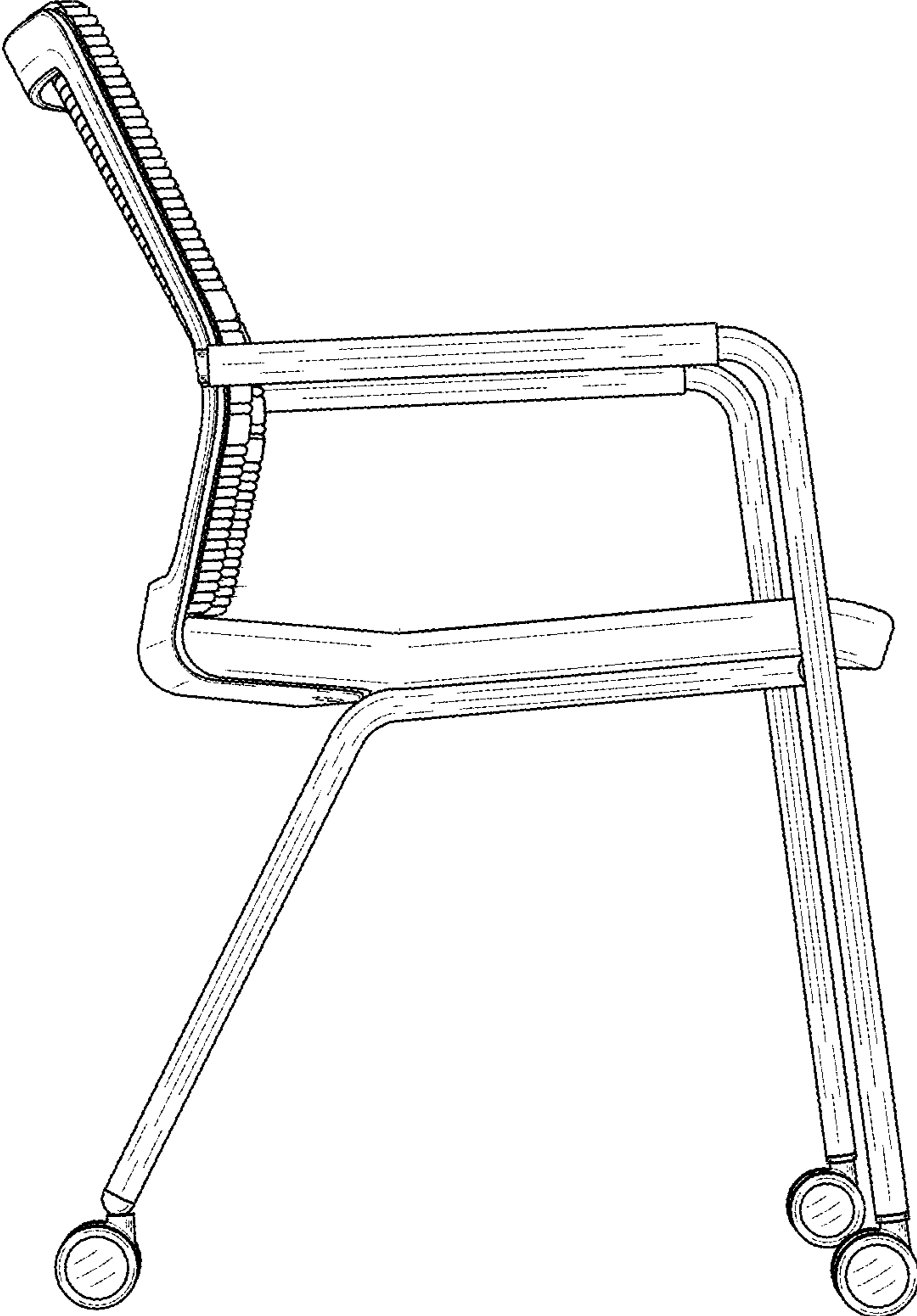


Fig. 5

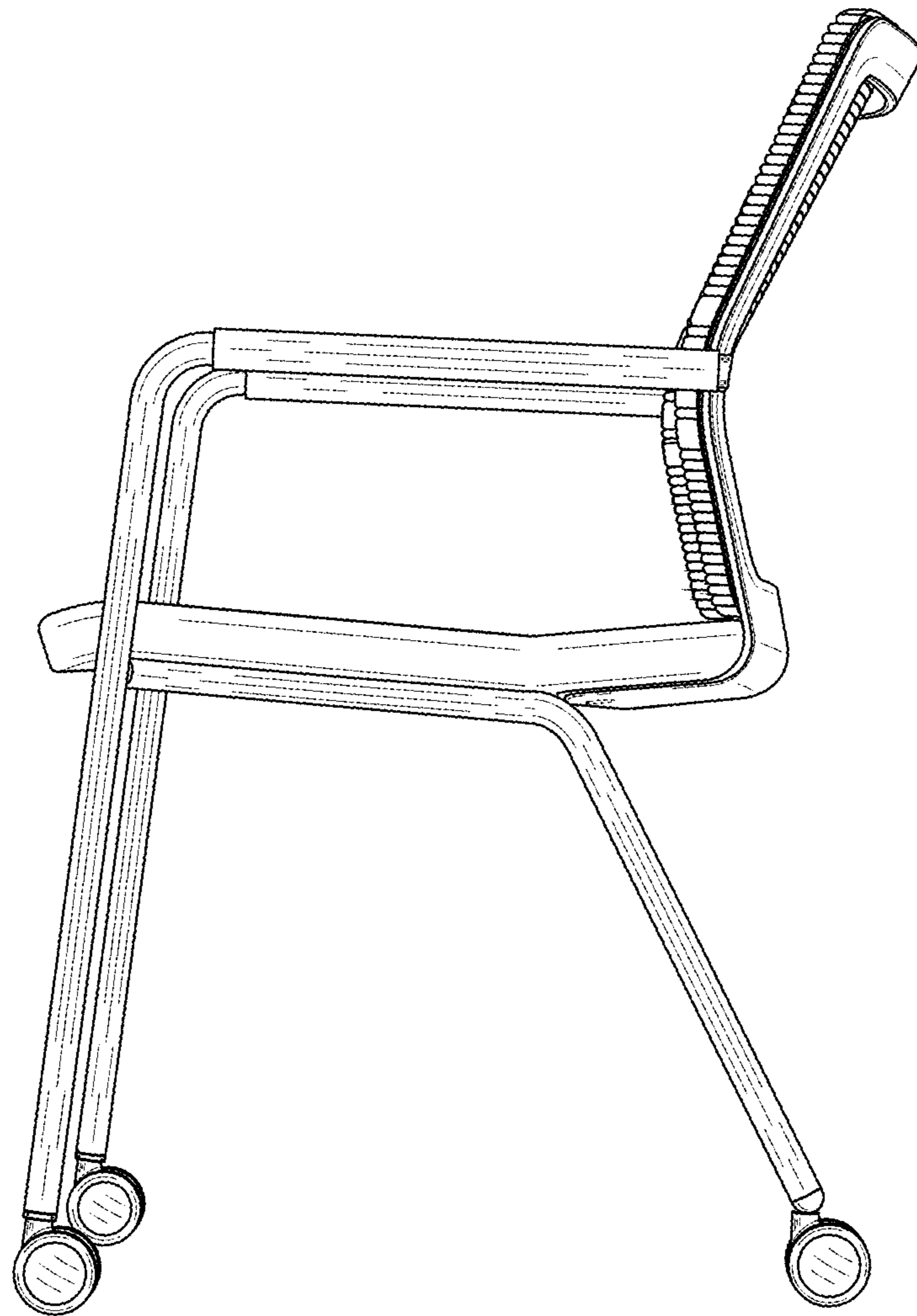


Fig. 6

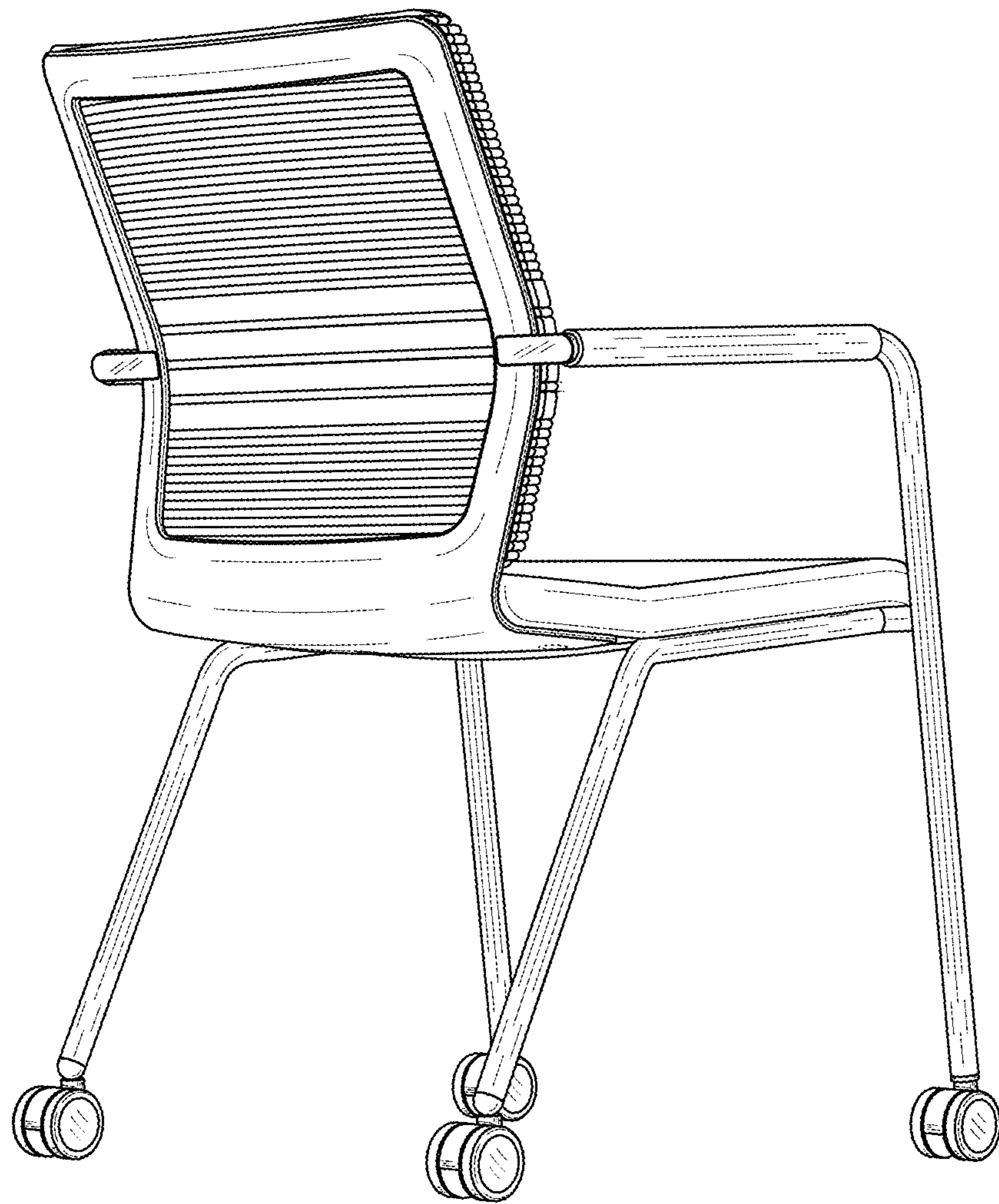


Fig. 7