

US00D866208S

(12) **United States Design Patent** (10) **Patent No.:** **US D866,208 S**
Chan (45) **Date of Patent:** **** Nov. 12, 2019**

(54) **FOOT REST**
(71) Applicant: **King Chan**, Lake Oswego, OR (US)
(72) Inventor: **King Chan**, Lake Oswego, OR (US)
(**) Term: **15 Years**
(21) Appl. No.: **29/655,337**
(22) Filed: **Jul. 2, 2018**
(51) **LOC (12) Cl.** **06-01**
(52) **U.S. Cl.**
USPC **D6/349**
(58) **Field of Classification Search**
USPC D6/334-338, 340-343, 349-353, 355,
D6/365-365, 691-691.9, 692-692.6,
D6/716-716.1, 601, 596, 604
CPC A47B 7/00-02; A47C 11/00; A47C 12/00;
A47C 13/00; A47C 16/00; A47C
16/02-04; A47C 9/00-105; A47K 17/02;
A47K 17/028
See application file for complete search history.

D597,328 S * 8/2009 Schweikarth D6/355
D601,844 S * 10/2009 Miller D6/611
D634,951 S * 3/2011 Dreiling D6/362
D688,475 S * 8/2013 Blet D6/349
D693,584 S * 11/2013 Kanthasamy D6/334
D717,554 S * 11/2014 Kapka D6/349
D834,339 S * 11/2018 Silver D6/336
D839,009 S * 1/2019 Garbus D6/349
D842,617 S * 3/2019 Carter D6/349

OTHER PUBLICATIONS

Quinn Ottoman Cream Ottoman. [online] Retrieved Jul. 11, 2019 from URL: <https://www.onekingslane.com/p/4775102-quinn-ottoman-cream.do>.*

* cited by examiner

Primary Examiner — Vy N Koenig
(74) *Attorney, Agent, or Firm* — Mohr Intellectual Property Law Solutions, PC

(57) **CLAIM**

I claim the ornamental design for a foot rest, as shown and described.

DESCRIPTION

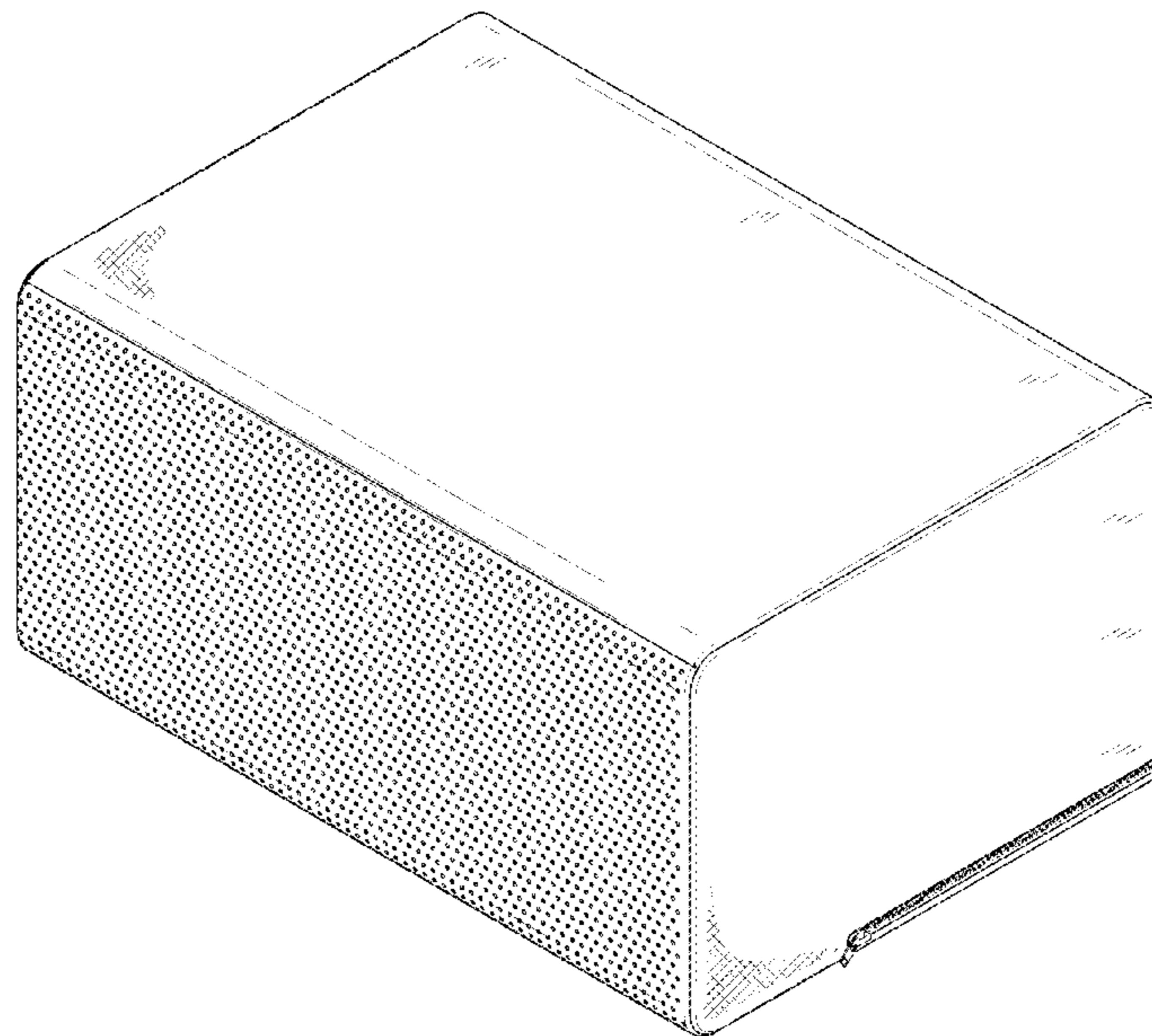
FIG. 1 is a top plan view of a foot rest showing my new design.
FIG. 2 is a bottom plan view thereof.
FIG. 3 is a left-side elevation view thereof.
FIG. 4 is a right-side elevation view thereof.
FIG. 5 is a rotated top plan view thereof.
FIG. 6 is a rotated bottom plan view thereof.
FIG. 7 is a top front perspective view thereof.
FIG. 8 is a top back perspective view thereof; and,
FIG. 9 is a bottom perspective view thereof.

1 Claim, 9 Drawing Sheets

(56) **References Cited**

U.S. PATENT DOCUMENTS

D181,730 S * 12/1957 Jones et al. D6/349
D224,825 S * 9/1972 Jenkins D6/685
4,086,921 A * 5/1978 Gonzales A47C 16/025
601/22
D270,308 S * 8/1983 Aronowitz D6/691.4
D338,587 S * 8/1993 Harnish D24/190
D394,366 S * 5/1998 Graebe 5/653
7,213,885 B2 * 5/2007 White A47C 13/005
248/188
D561,496 S * 2/2008 Kreiss D6/691.4
D561,902 S * 2/2008 Fried D24/190



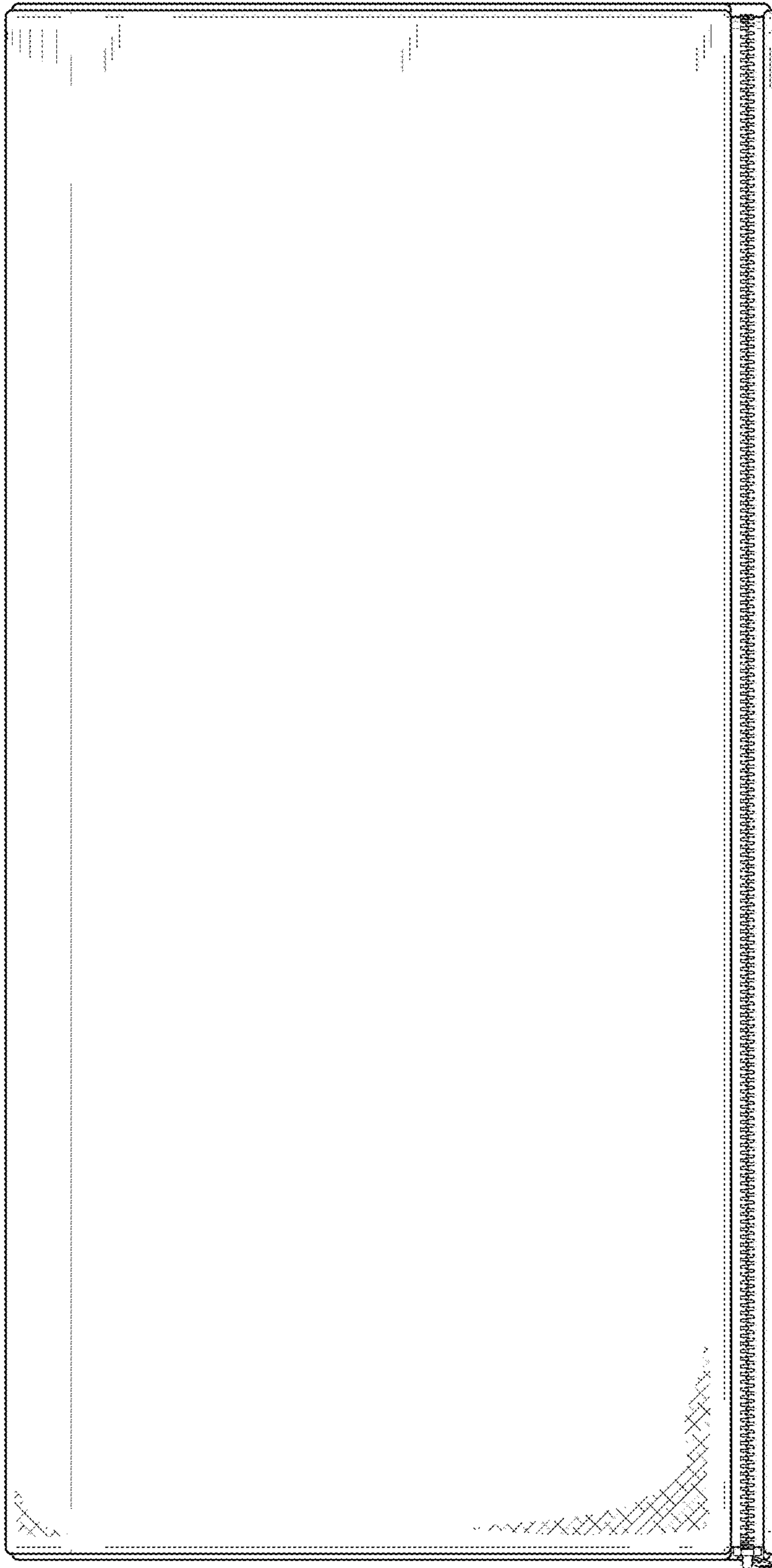


FIG. 1

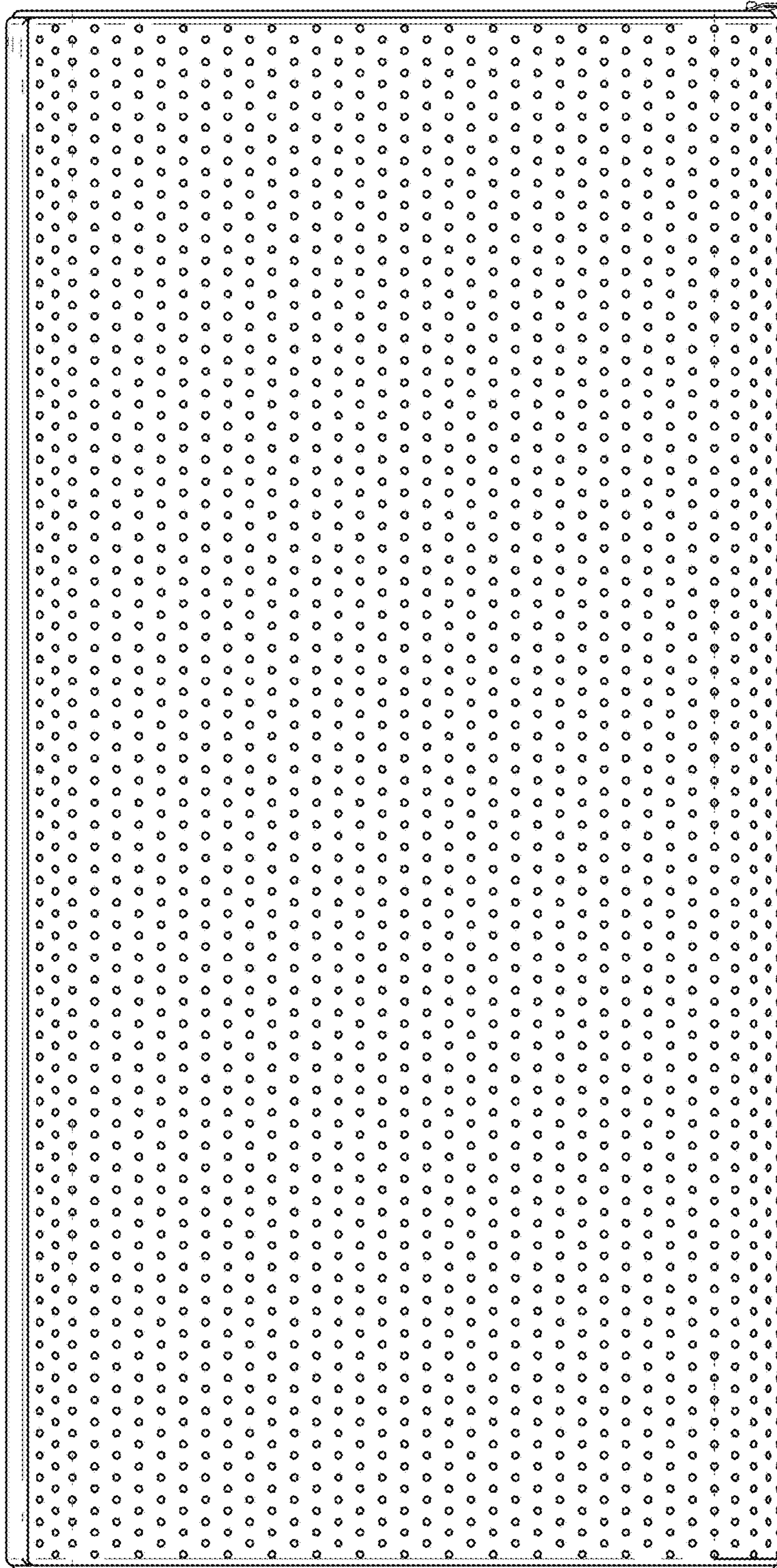


FIG. 2

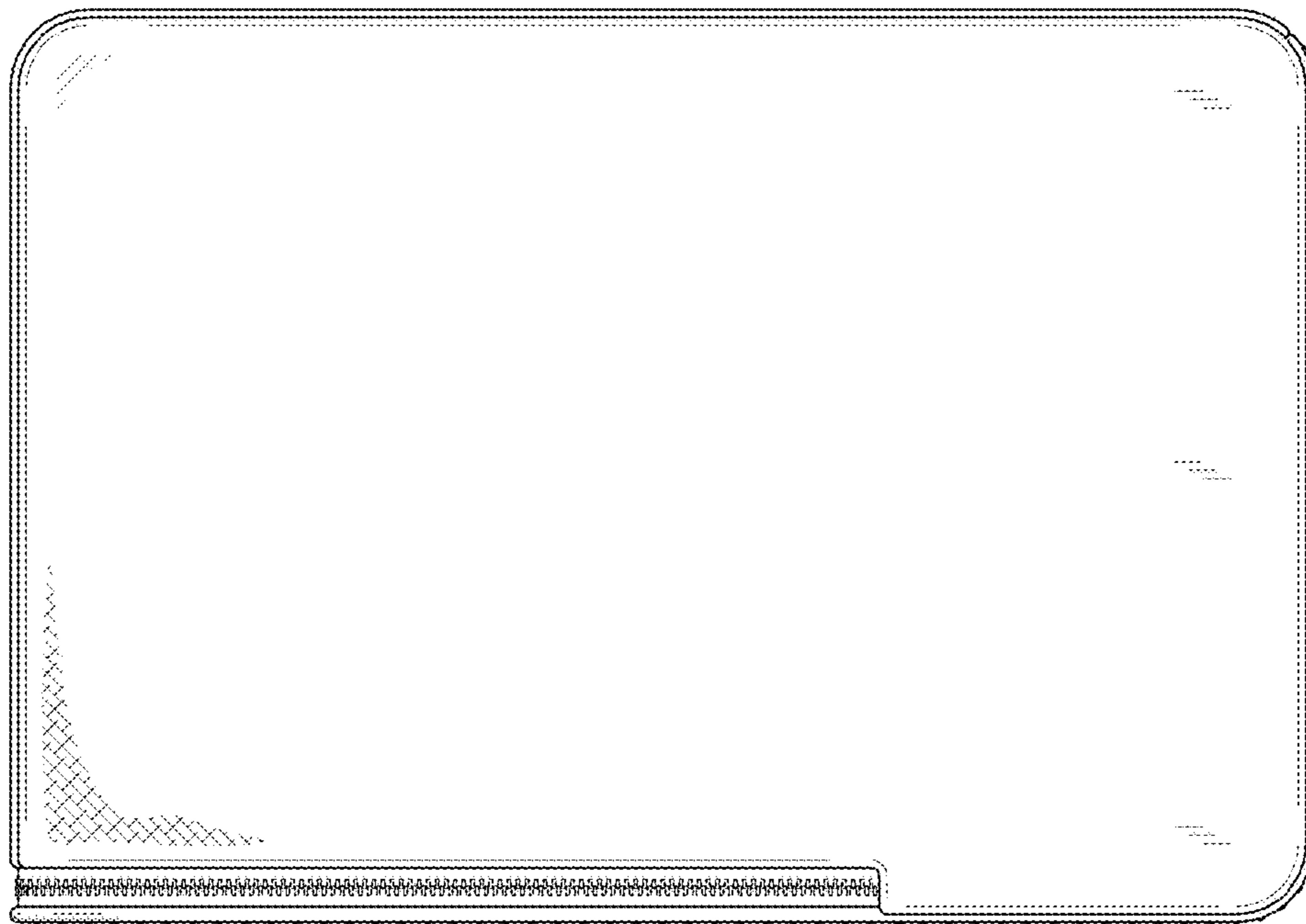


FIG. 3

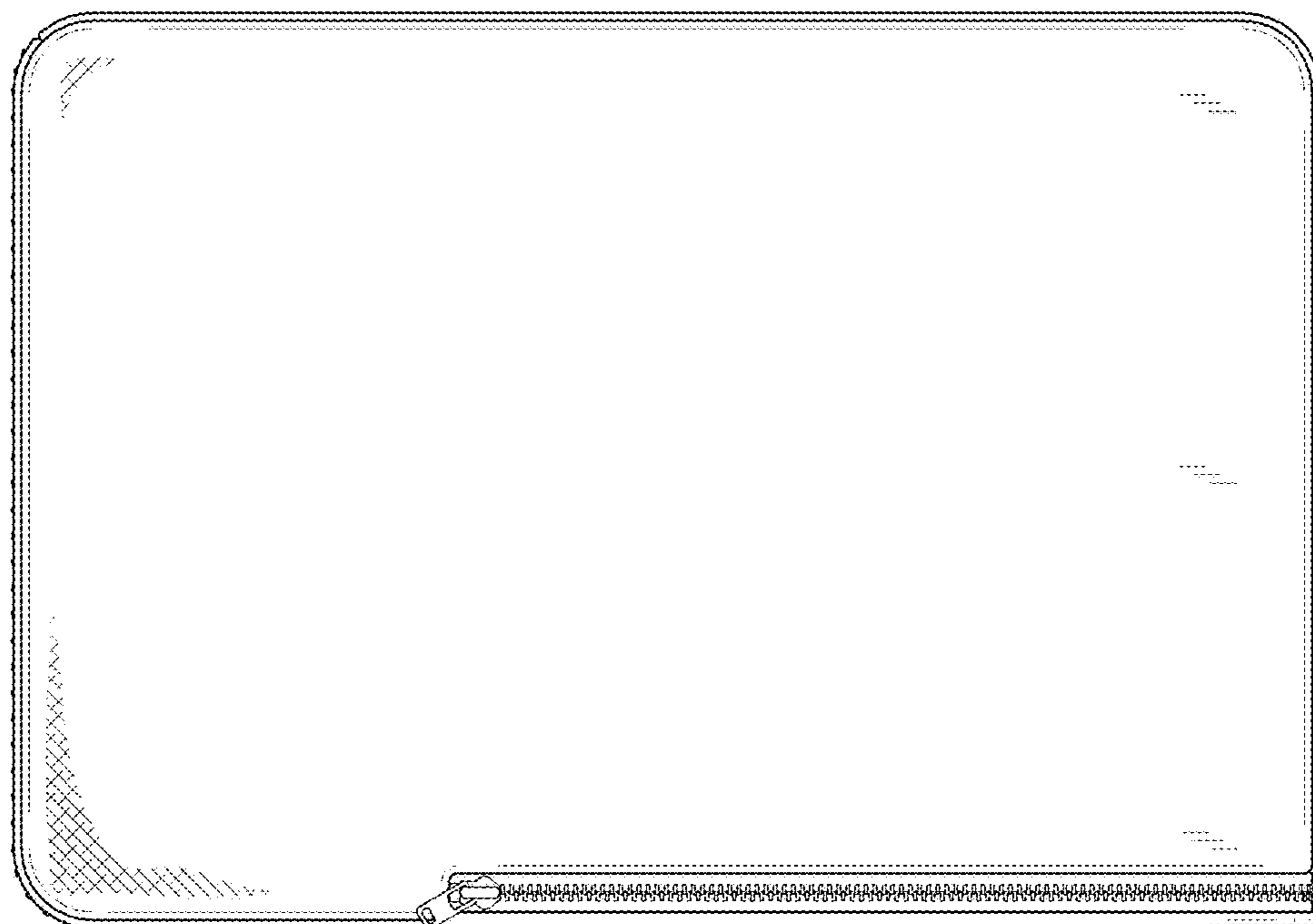


FIG. 4

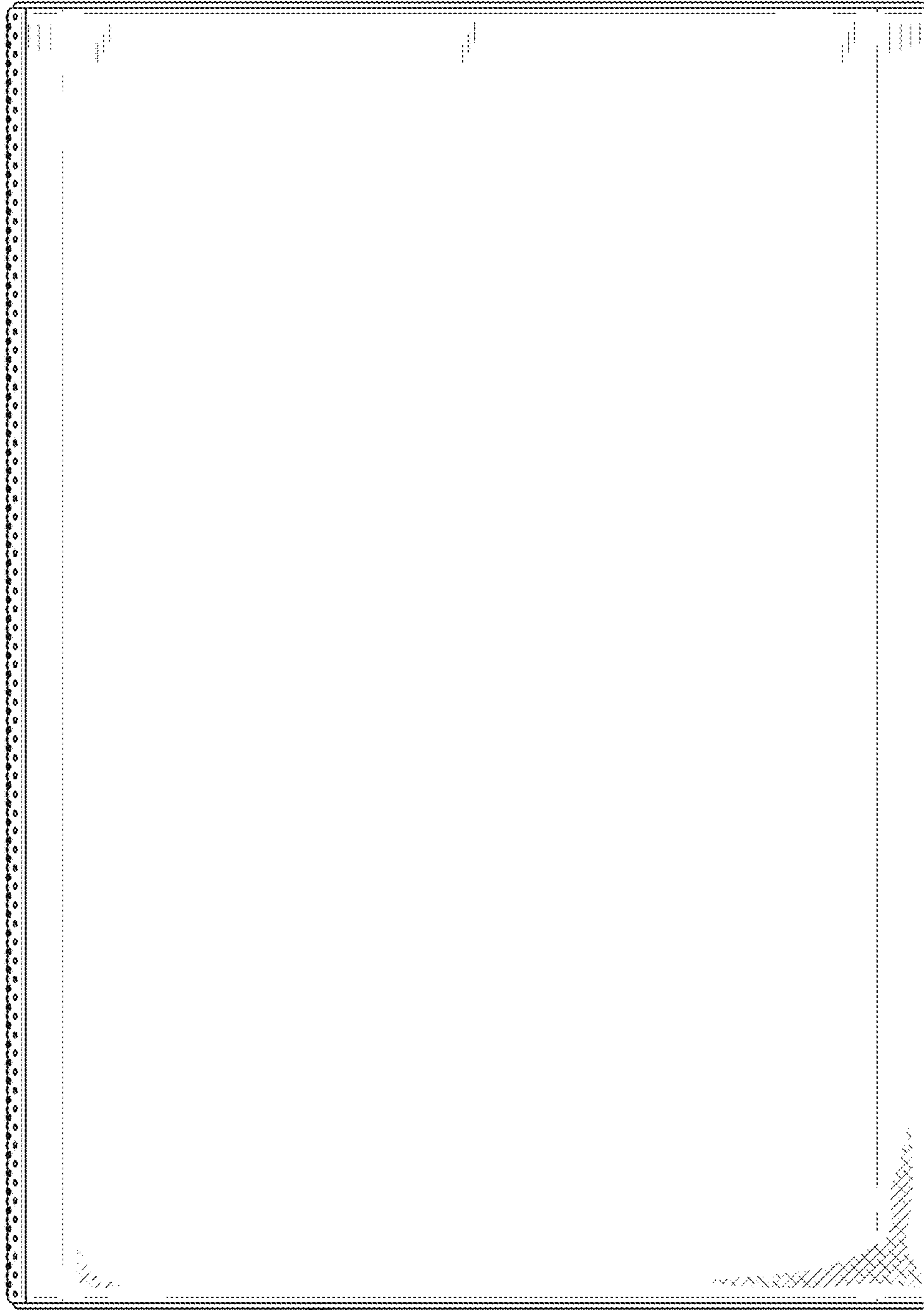


FIG. 5

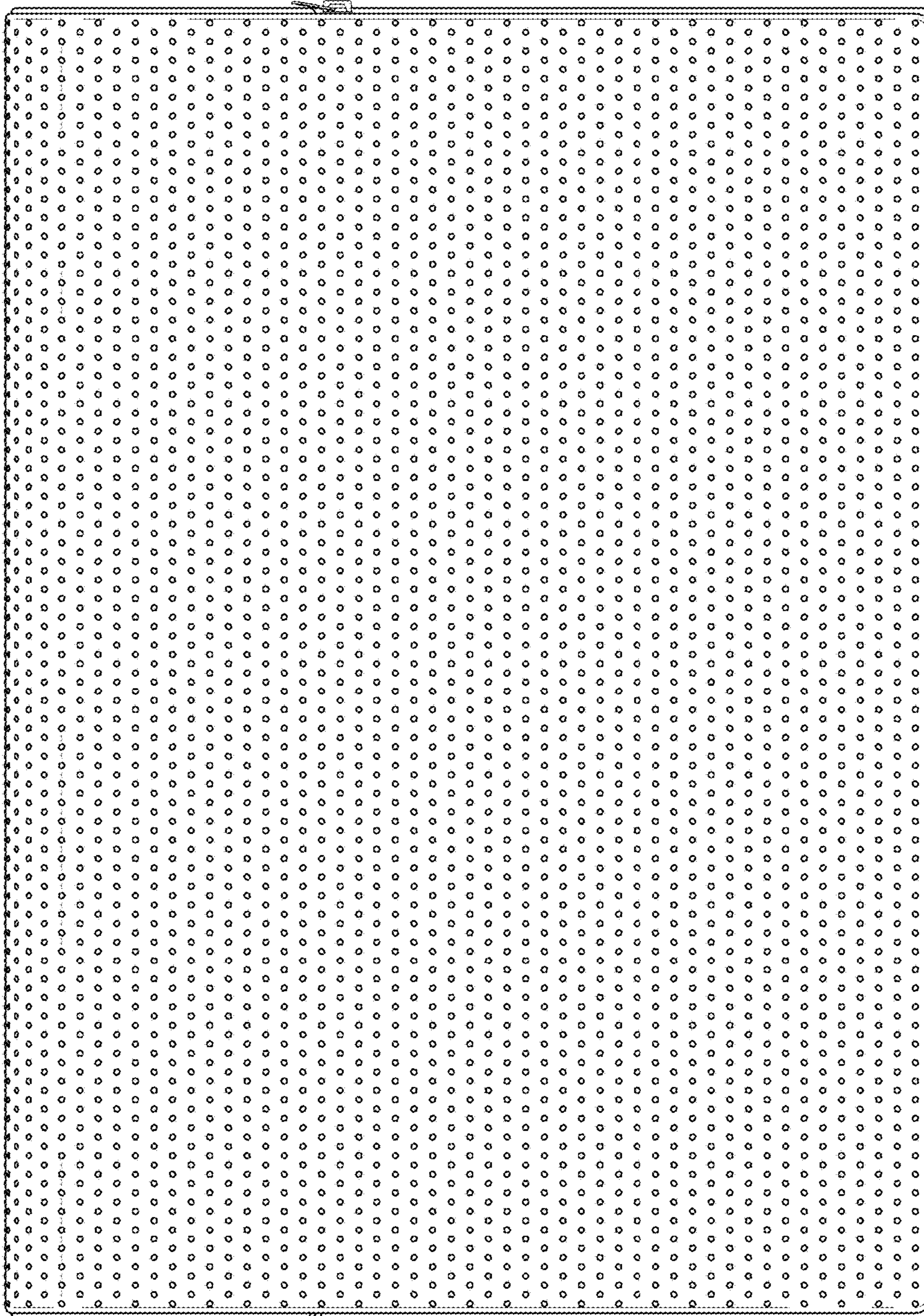


FIG. 6

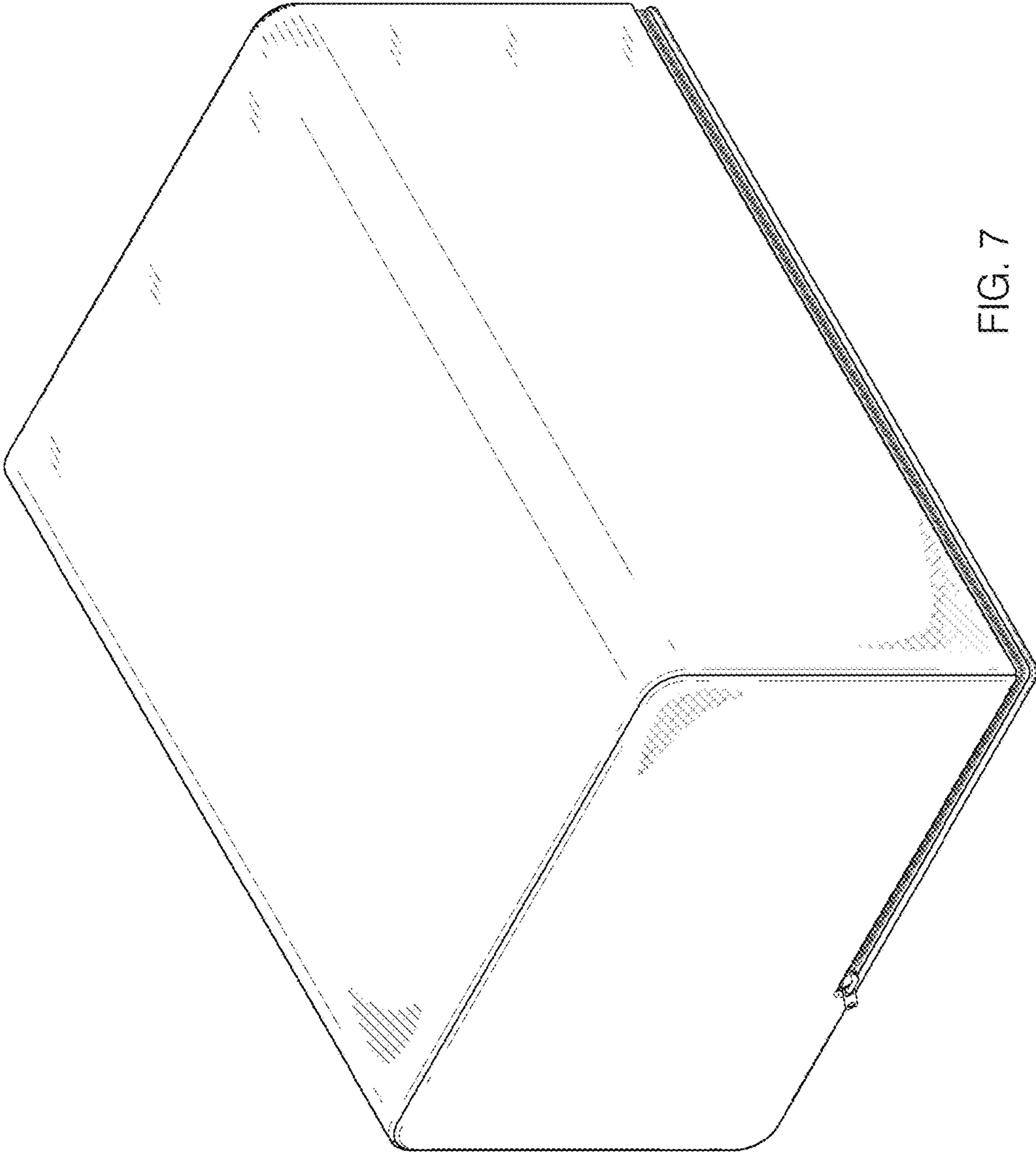
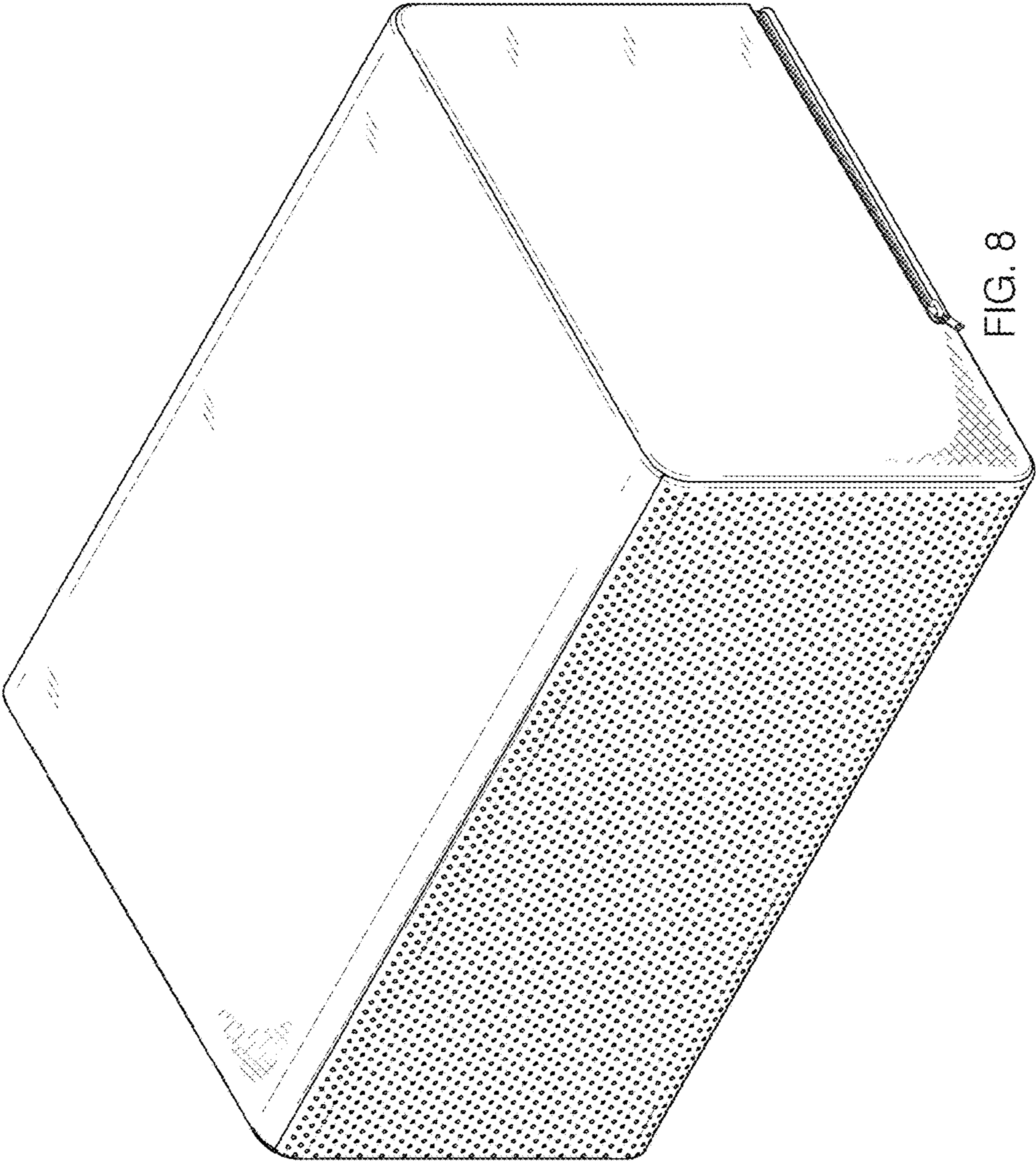


FIG. 7



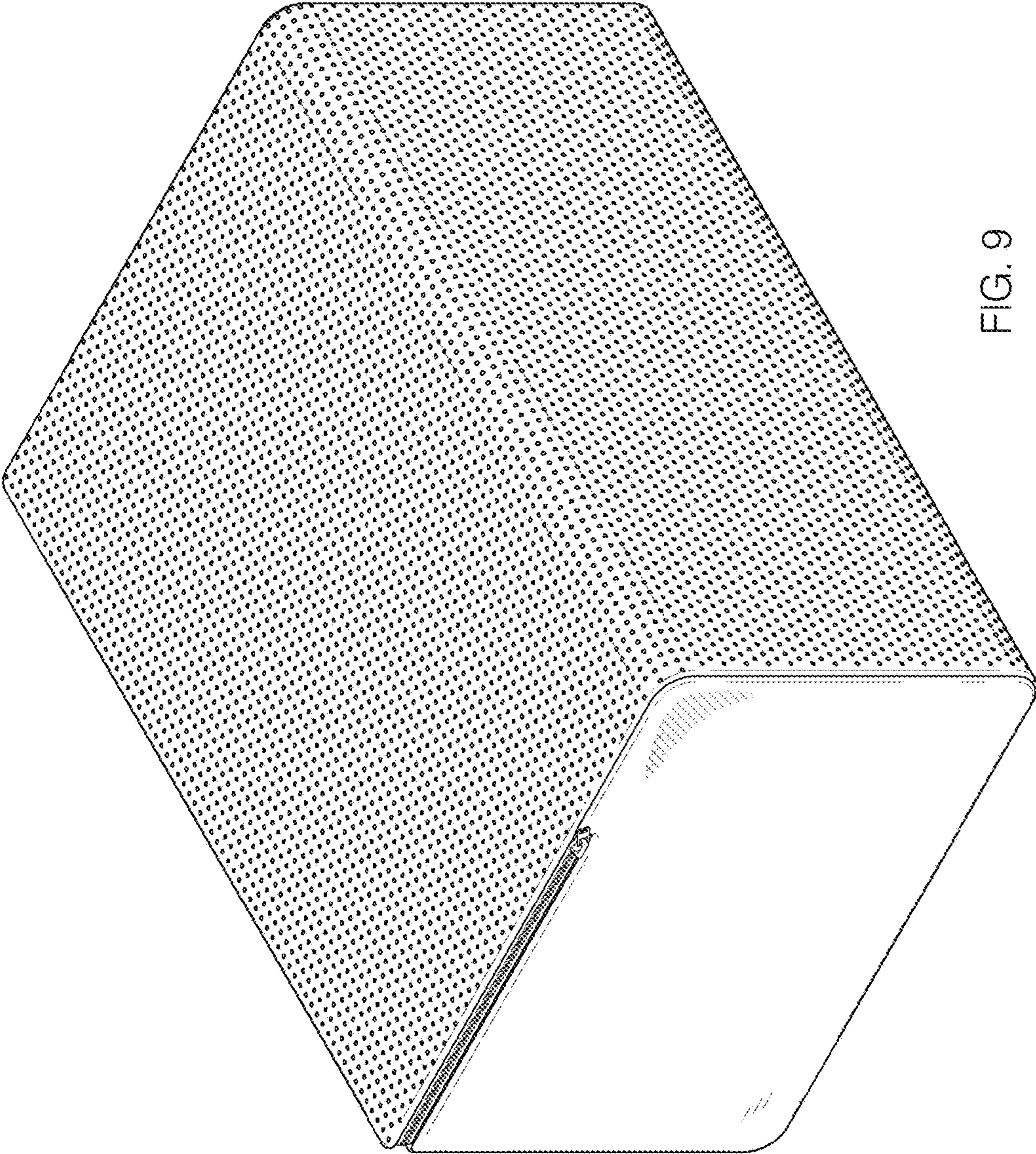


FIG. 9