



US00D866206S

(12) **United States Design Patent** (10) **Patent No.:** **US D866,206 S**
Tham et al. (45) **Date of Patent:** **** Nov. 12, 2019**

- (54) **SOFA WITH TABLE**
- (71) Applicants: **Siew Kin Tham**, Kluang (MY);
Zachariah Dannett, Los Angeles, CA (US)
- (72) Inventors: **Siew Kin Tham**, Kluang (MY);
Zachariah Dannett, Los Angeles, CA (US)
- (73) Assignee: **NOBLE HOUSE HOME FURNISHINGS, LLC**, Chatsworth, CA (US)

3,093,410 A *	6/1963	Wilson	A47C 15/002
				297/119
D257,455 S *	10/1980	Brooks	D6/378
D365,450 S *	12/1995	Schweiger	D6/336
D537,264 S *	2/2007	Warren	D6/381
D546,590 S *	7/2007	Frinier	D6/689
D547,967 S *	8/2007	Oldham	D6/381
D578,793 S *	10/2008	Ricci	D6/381
D608,568 S *	1/2010	Manz	D6/691.5
D614,419 S *	4/2010	Andersen	D6/381
D614,884 S *	5/2010	Metcalf	D6/381
D614,889 S *	5/2010	Van Duysen	D6/691.5
D620,286 S *	7/2010	Carmon	D6/691
D654,284 S *	2/2012	Messenger	D6/369

(Continued)

- (**) Term: **15 Years**
- (21) Appl. No.: **29/629,262**
- (22) Filed: **Dec. 12, 2017**
- (51) **LOC (12) Cl.** **06-01**
- (52) **U.S. Cl.**
USPC **D6/335; D6/381; D6/691**
- (58) **Field of Classification Search**
USPC **D6/334, 335, 381, 691, 691.1, 691.2, D6/691.5, 692, 692.3, 349, 369, 371, 372, D6/373, 378, 379**
CPC **A47C 7/00; A47C 7/62; A47C 7/18; A47C 7/54; A47C 4/00; A47C 4/028; A47C 4/28; A47C 3/04; A47C 3/12; A47C 1/02; A47C 1/14**
See application file for complete search history.

(56) **References Cited**

U.S. PATENT DOCUMENTS

D131,276 S *	2/1942	Henkel et al.	D6/378
D149,333 S *	4/1948	Anderson et al.	D6/378
D155,624 S *	10/1949	Pahlmann	297/135
D162,427 S *	3/1951	Michelson	D6/378
D169,911 S *	6/1953	Netzer	D6/381
D181,845 S *	1/1958	Frey	D6/336
D193,929 S *	10/1962	Ritts	D6/369

OTHER PUBLICATIONS

“Product Information” video showing Bronte Sofa and Coffee Table, posted by OverstockProducts on Sep. 29, 2017 on <https://www.youtube.com/watch?v=5DWhTPw7Zj4>, retrieved on Sep. 4, 2018 (Year: 2017).*

(Continued)

Primary Examiner — Deanna L Pratt
(74) *Attorney, Agent, or Firm* — Colin P. Abrahams

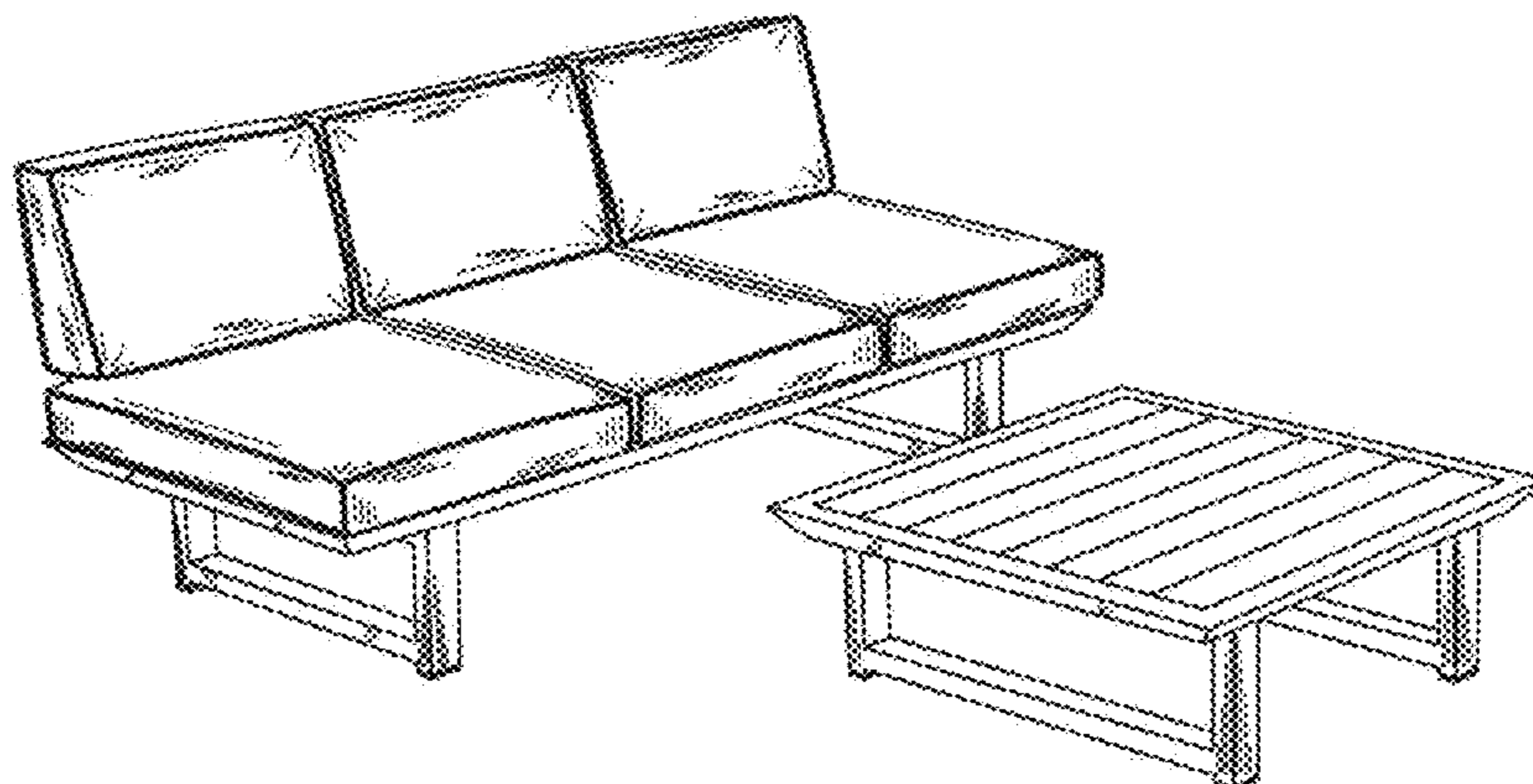
(57) **CLAIM**

The ornamental design for a sofa with table, as shown and described.

DESCRIPTION

FIG. 1 is a perspective view of a sofa with table, showing our new design;
FIG. 2 is a side perspective view thereof;
FIG. 3 is a side view thereof, the opposite side being the identical reverse;
FIG. 4 is a front view thereof;
FIG. 5 is a back view thereof;
FIG. 6 is a top view thereof; and,
FIG. 7 is a bottom view thereof.

1 Claim, 5 Drawing Sheets



(56)

References Cited

U.S. PATENT DOCUMENTS

D663,552 S *	7/2012	Hughes	D6/349
D677,477 S *	3/2013	Agati	D6/336
D698,169 S *	1/2014	Caldwell	D6/370
8,721,000 B2 *	5/2014	Nguyen	A47C 7/402 297/378.1
D714,565 S *	10/2014	Davis	D6/370
D715,568 S *	10/2014	Davis	D6/370
D743,181 S *	11/2015	Cardona	D6/381
D798,073 S *	9/2017	Asner	D6/349
D798,627 S *	10/2017	Rockwell	D6/381
D823,013 S *	7/2018	Burden	D6/349
D833,189 S *	11/2018	Inovero	D6/691.8
D837,554 S *	1/2019	Harman	D6/370
D839,615 S *	2/2019	Tham	D6/335

OTHER PUBLICATIONS

“Great value and seemingly well made” review of Bronte Outdoor 2-piece Aluminum Seating Sofa Set with Cushions by Christopher Knight Home, posted on Nov. 5, 2017 by Andrea B. on www.overstock.com, retrieved on Sep. 4, 2018 (Year: 2017).*

* cited by examiner

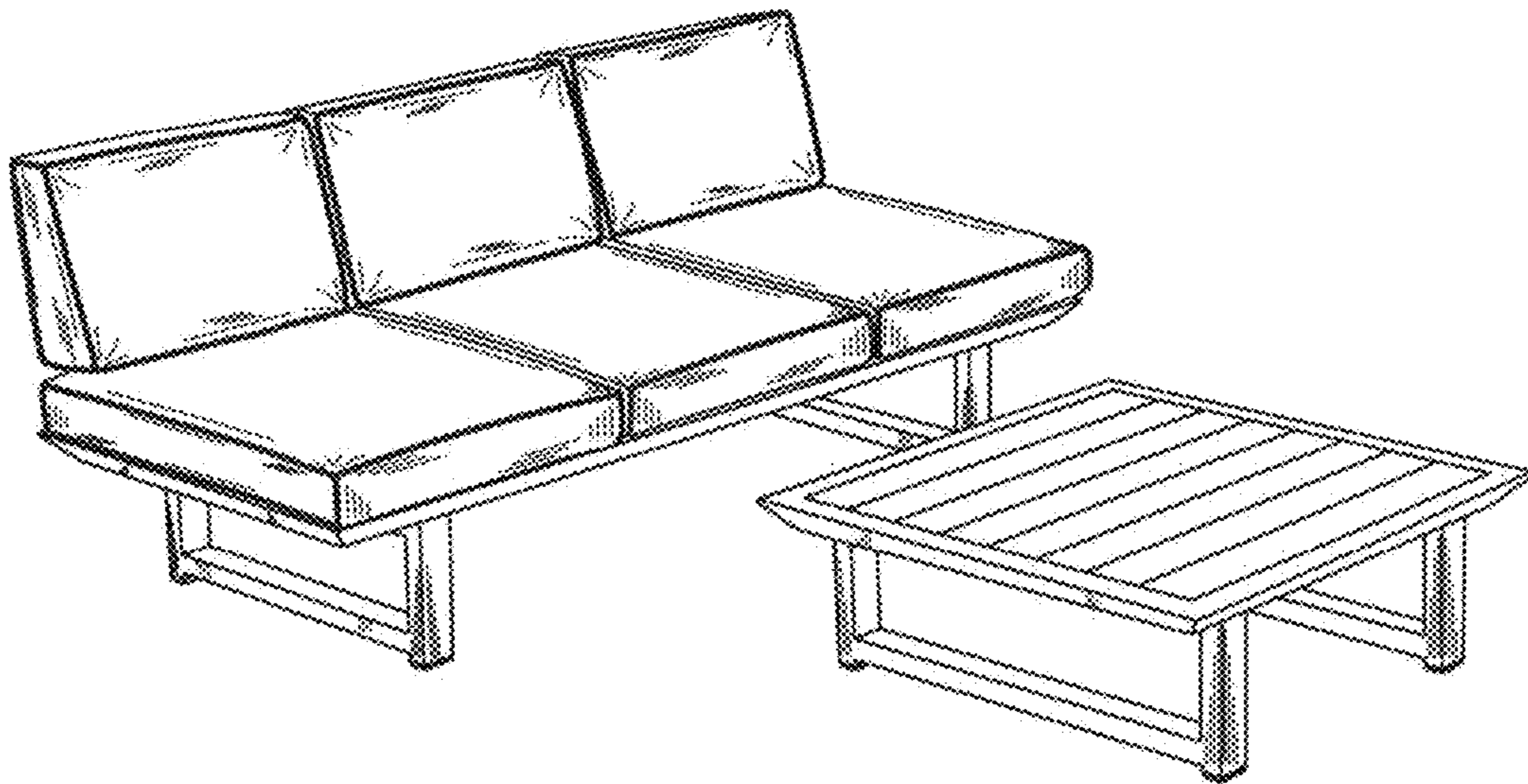


FIG. 1

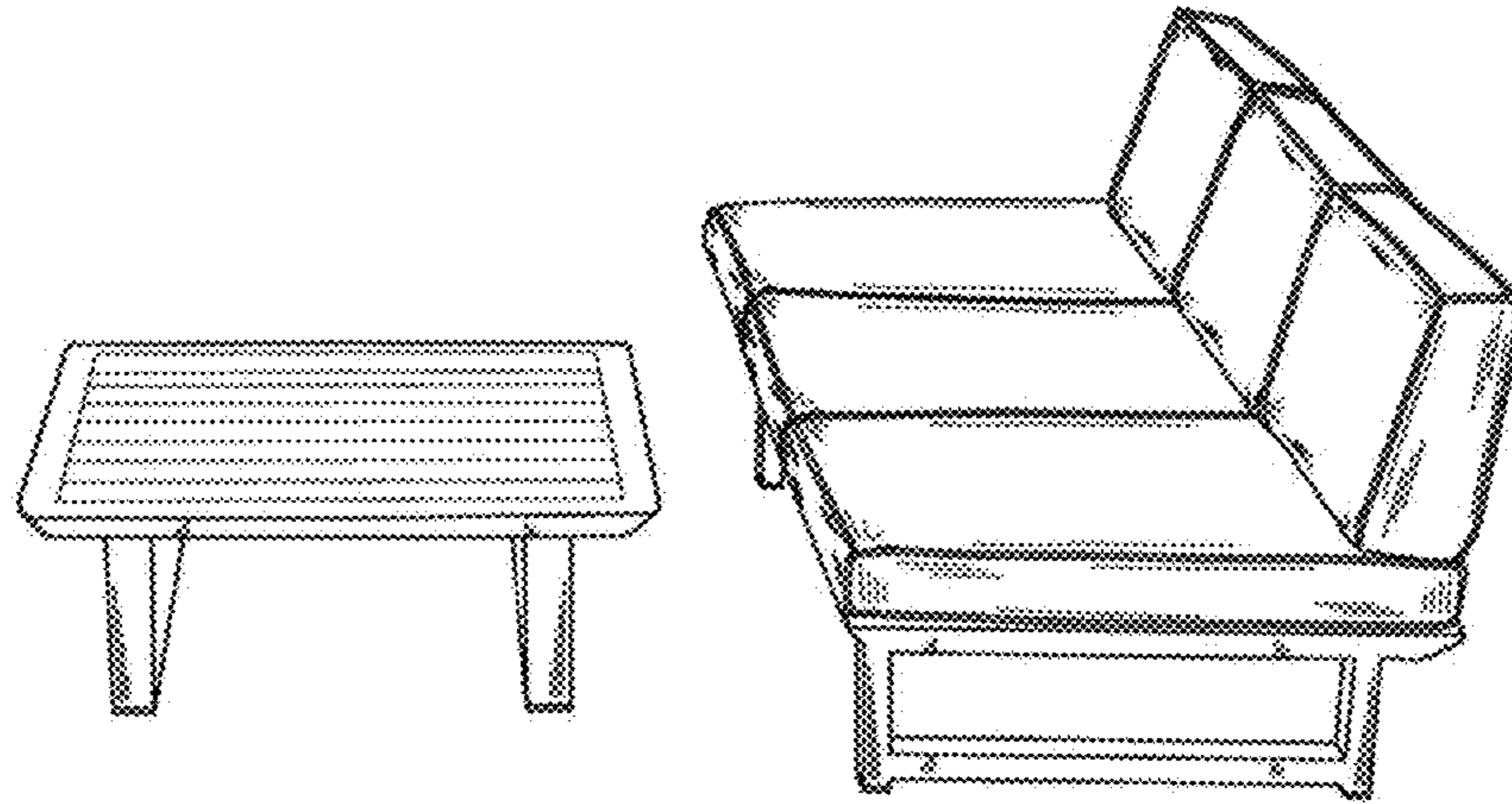


FIG. 2

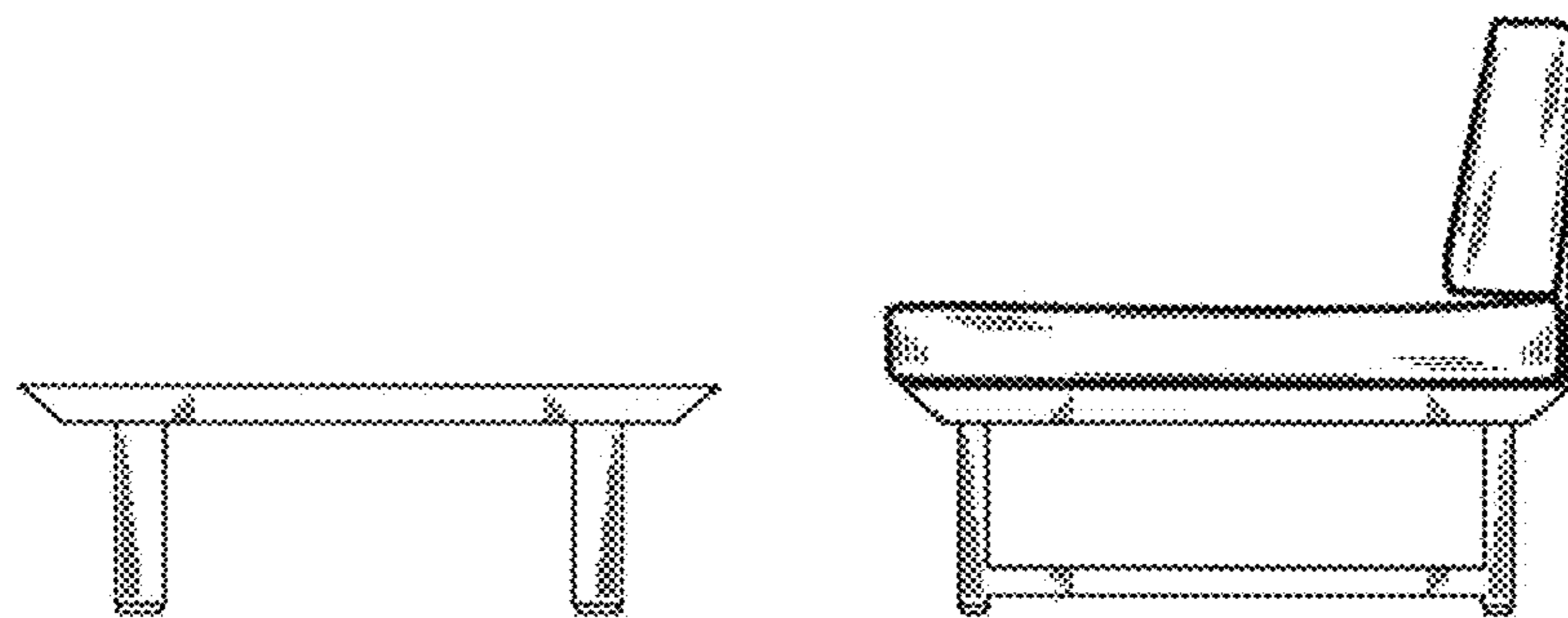


FIG. 3

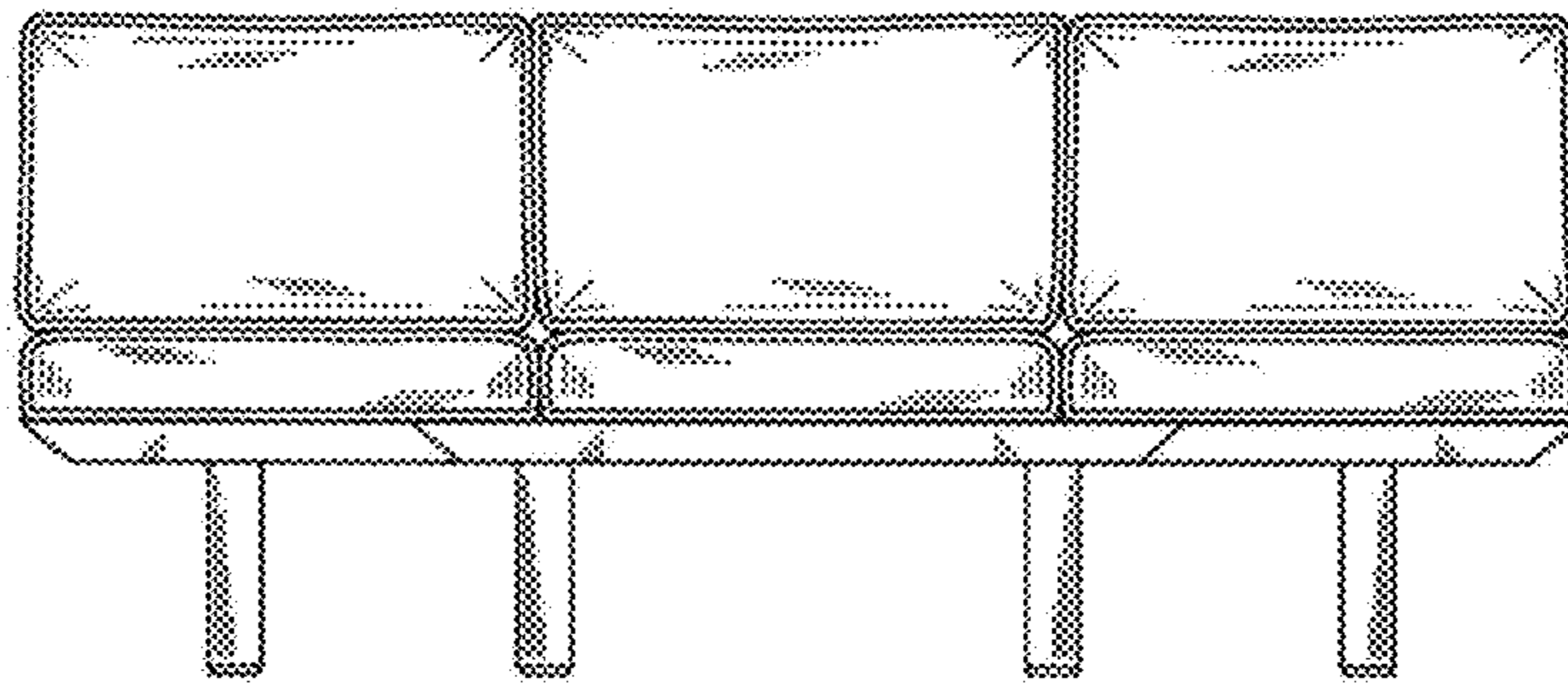


FIG. 4

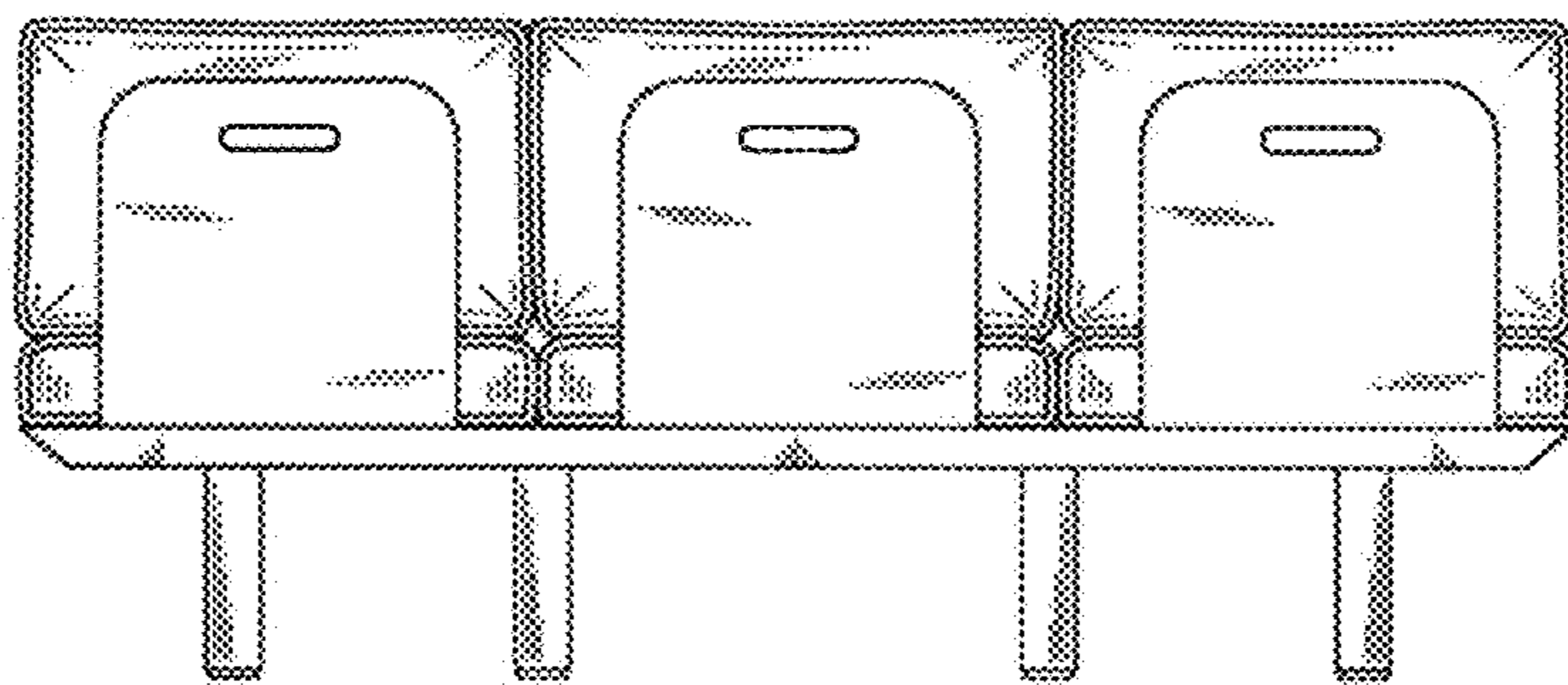


FIG. 5

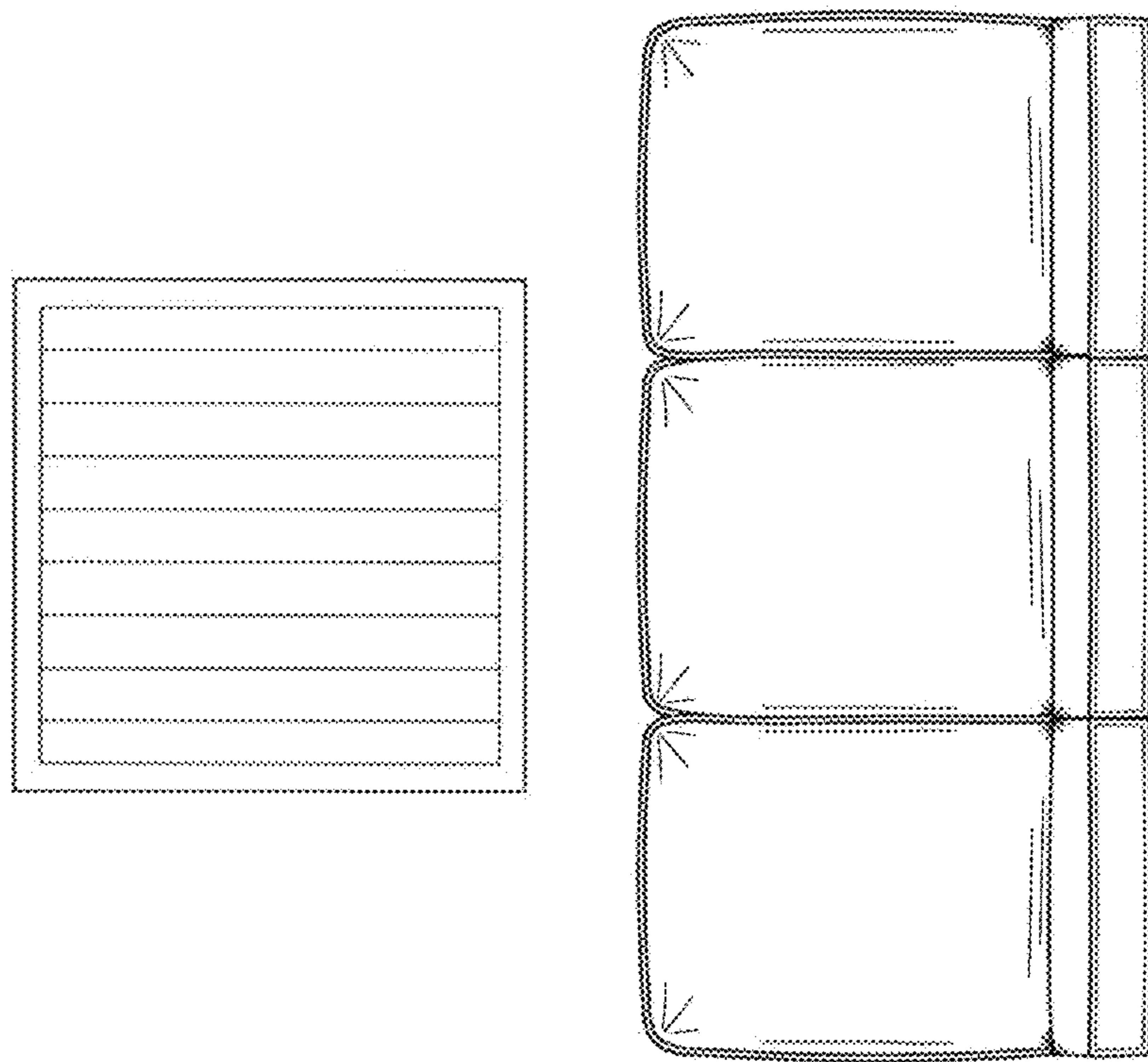


FIG. 6

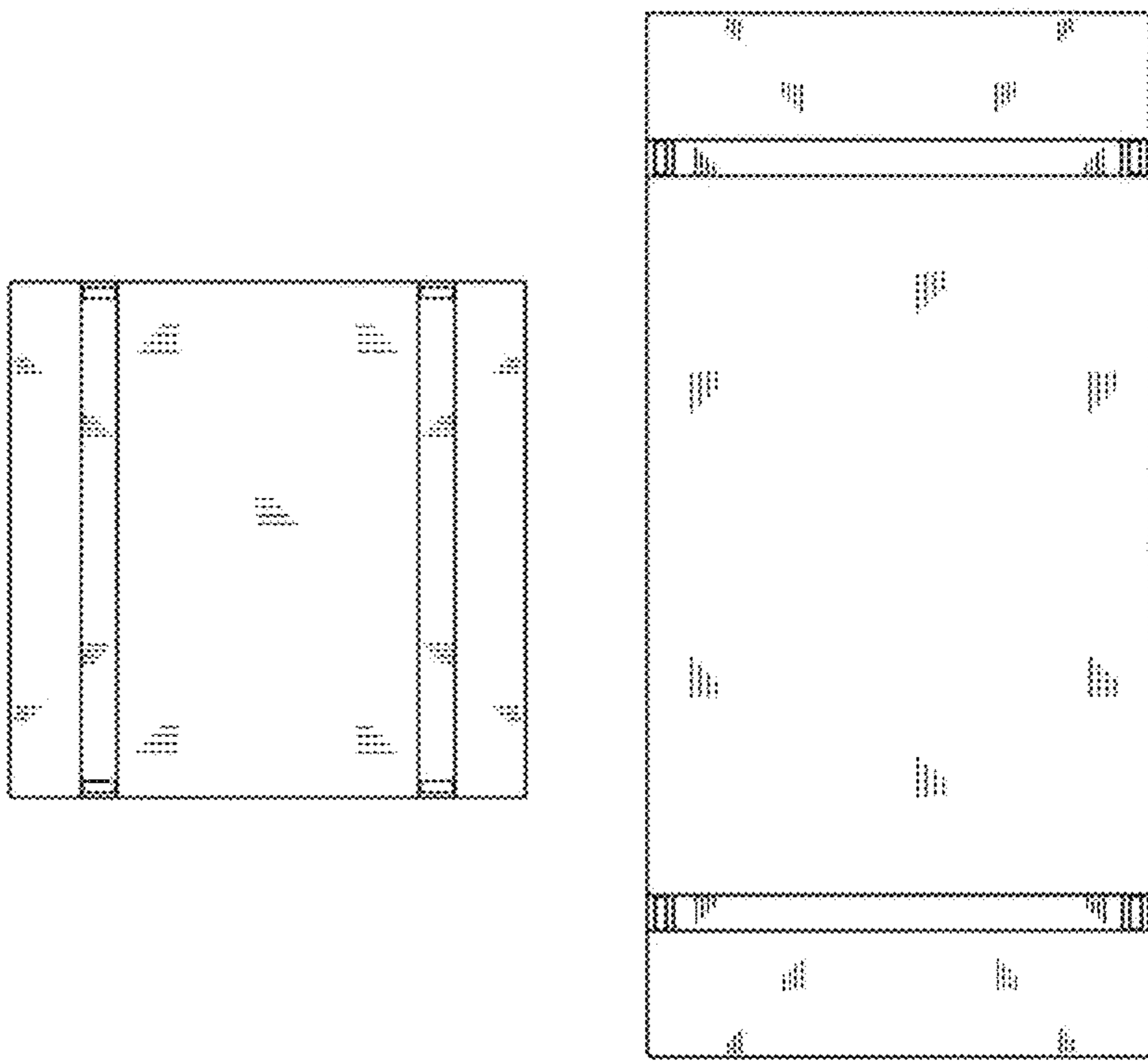


FIG. 7