

US00D866204S

(12) **United States Design Patent**
Neil et al.

(10) **Patent No.:** **US D866,204 S**

(45) **Date of Patent:** **** Nov. 12, 2019**

(54) **CHAIR**

(71) Applicants: **Gary Neil**, Mississauga (CA); **Nicholas Brian Gillissie**, Toronto (CA)

(72) Inventors: **Gary Neil**, Mississauga (CA); **Nicholas Brian Gillissie**, Toronto (CA)

(**) Term: **15 Years**

(21) Appl. No.: **29/607,213**

(22) Filed: **Jun. 12, 2017**

(51) **LOC (12) Cl.** **06-01**

(52) **U.S. Cl.**
USPC **D6/334**

(58) **Field of Classification Search**

USPC D6/334-336, 364, 371, 373, 374, 381,
D6/716, 716.1, 716.2, 716.4, 717
CPC A47C 3/16; A47C 4/02; A47C 4/03; A47C
7/00; A47C 7/18; A47C 7/24; A47C 7/54;
A47C 17/04

See application file for complete search history.

(56) **References Cited**

U.S. PATENT DOCUMENTS

D262,164 S * 12/1981 Aronowitz D6/364
D538,549 S * 3/2007 Spear D6/381

7,213,885 B2 * 5/2007 White, III A47C 7/00
248/188
D586,590 S * 2/2009 Schweikarth D6/716
D671,341 S * 11/2012 Metcalf D6/717
D676,680 S * 2/2013 Arko D6/334
D770,822 S * 11/2016 Schweikarth D6/716

* cited by examiner

Primary Examiner — Mimoso De

(74) *Attorney, Agent, or Firm* — Lorelei G. Graham

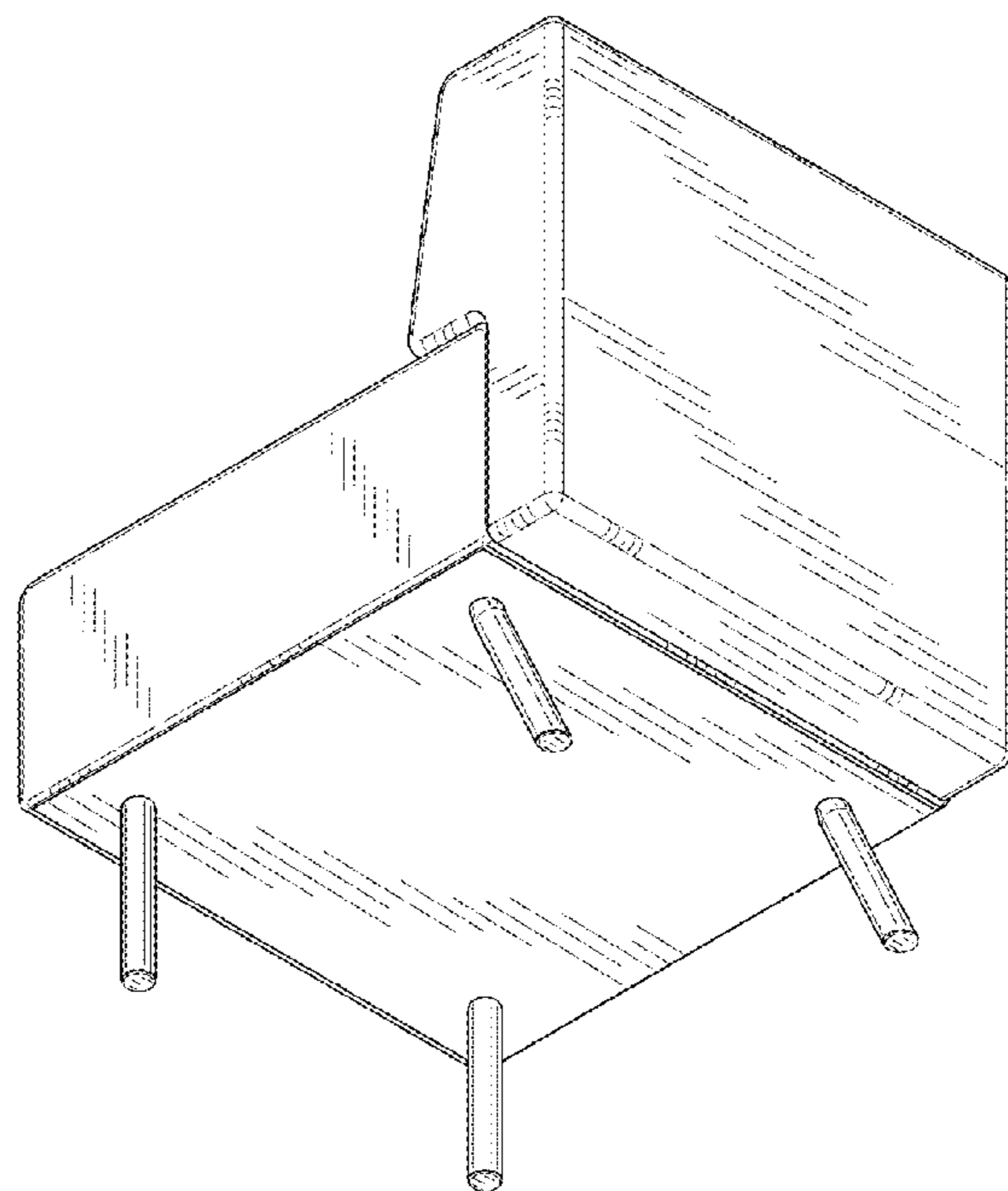
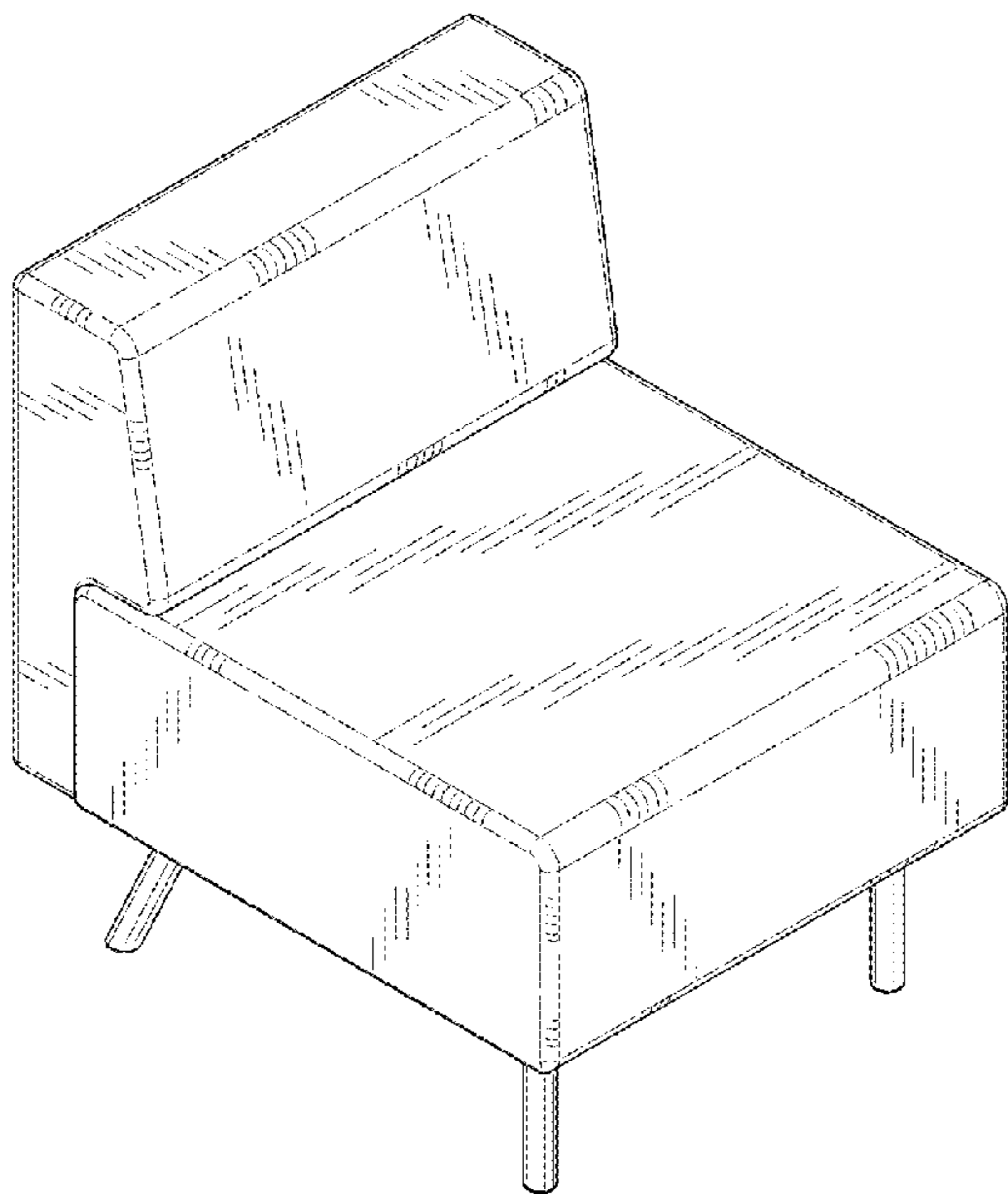
(57) **CLAIM**

The ornamental design for the chair, as shown and described.

DESCRIPTION

FIG. 1 is a front perspective view of the chair.
FIG. 2 is a bottom perspective view of the chair.
FIG. 3 is a right side view of the chair.
FIG. 4 is a front view of the chair.
FIG. 5 is a left side view of the chair.
FIG. 6 is a back view of the chair.
FIG. 7 is a top view of the chair; and,
FIG. 8 is a bottom view of the chair.

1 Claim, 4 Drawing Sheets



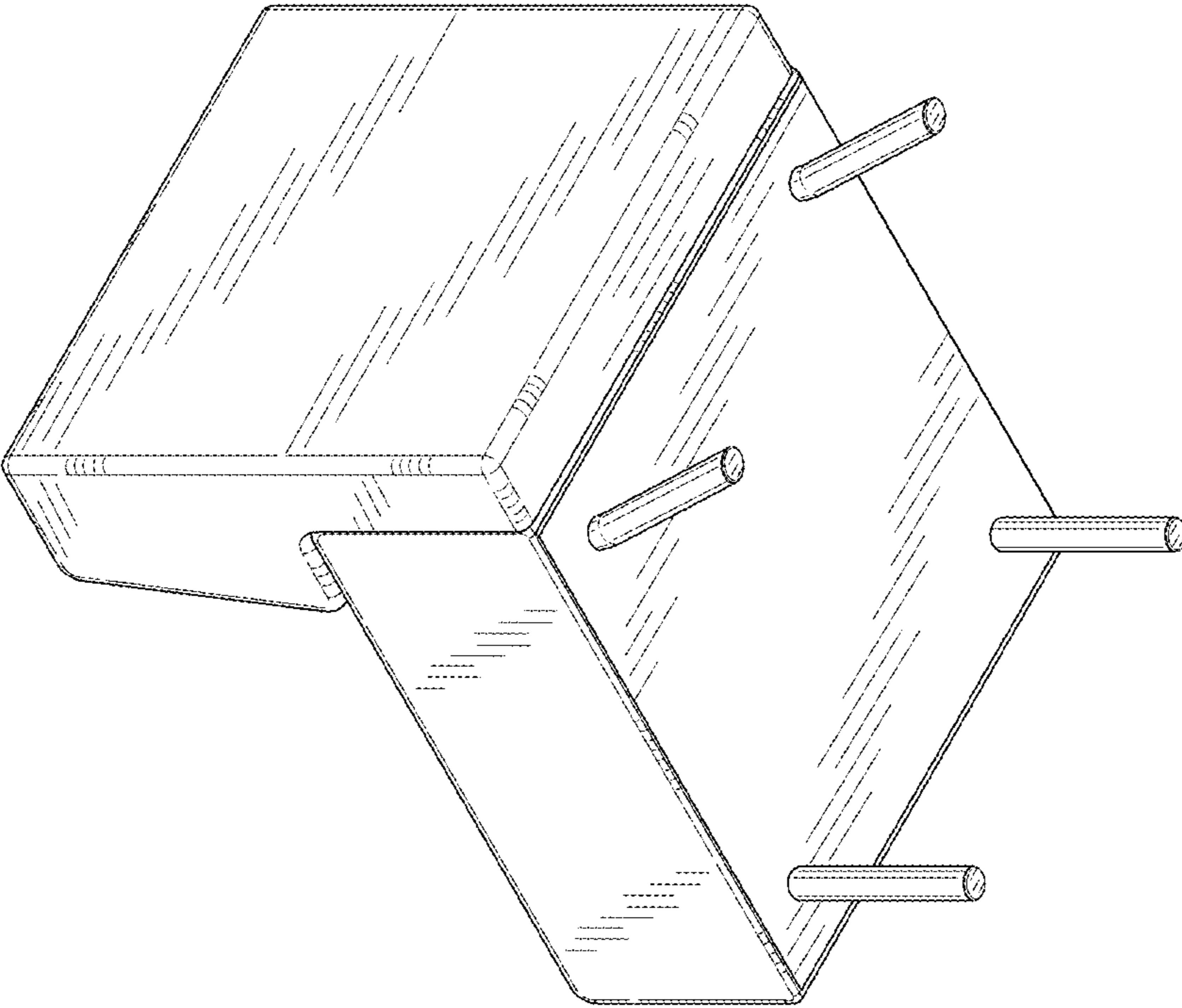


FIG. 2

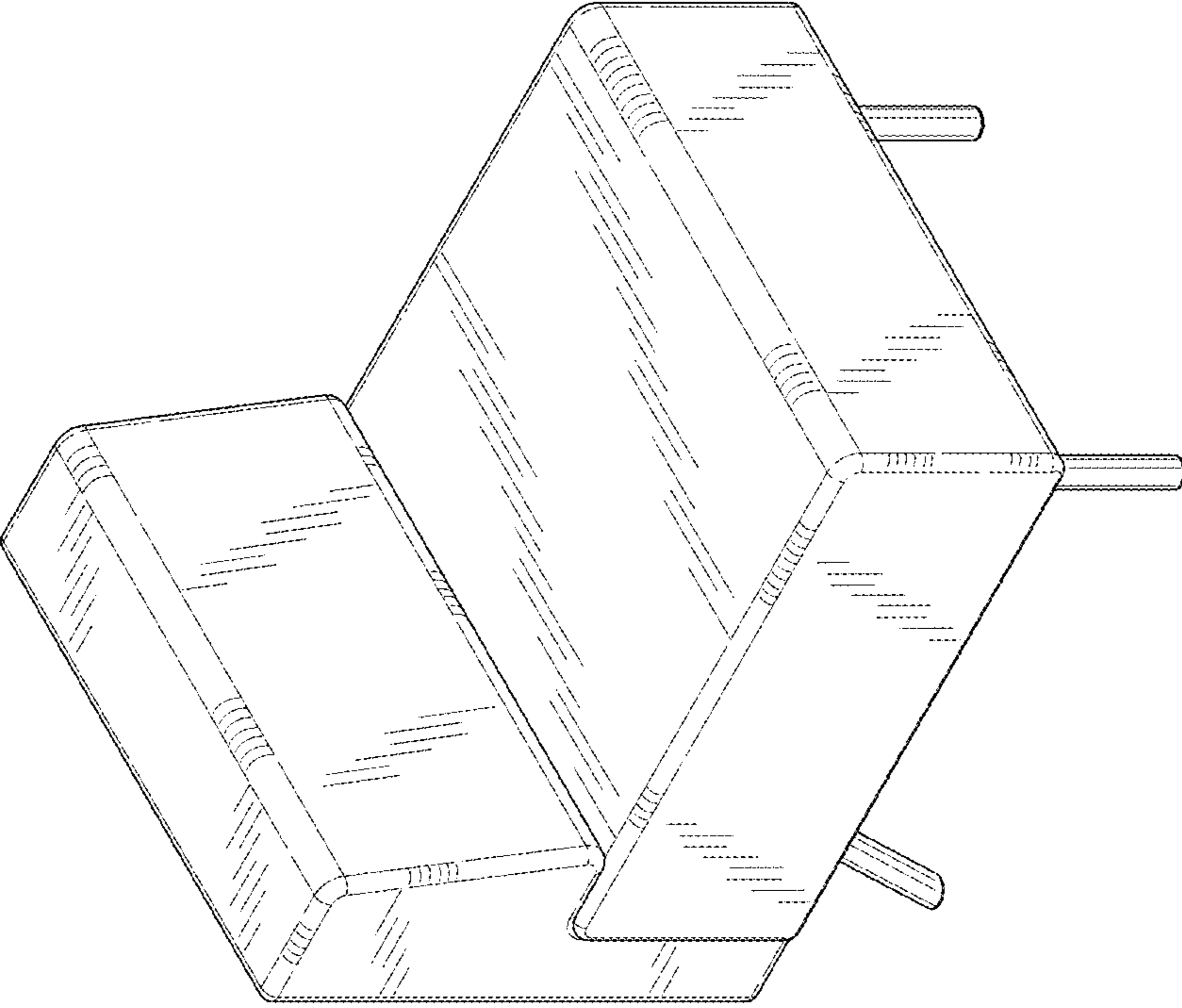


FIG. 1

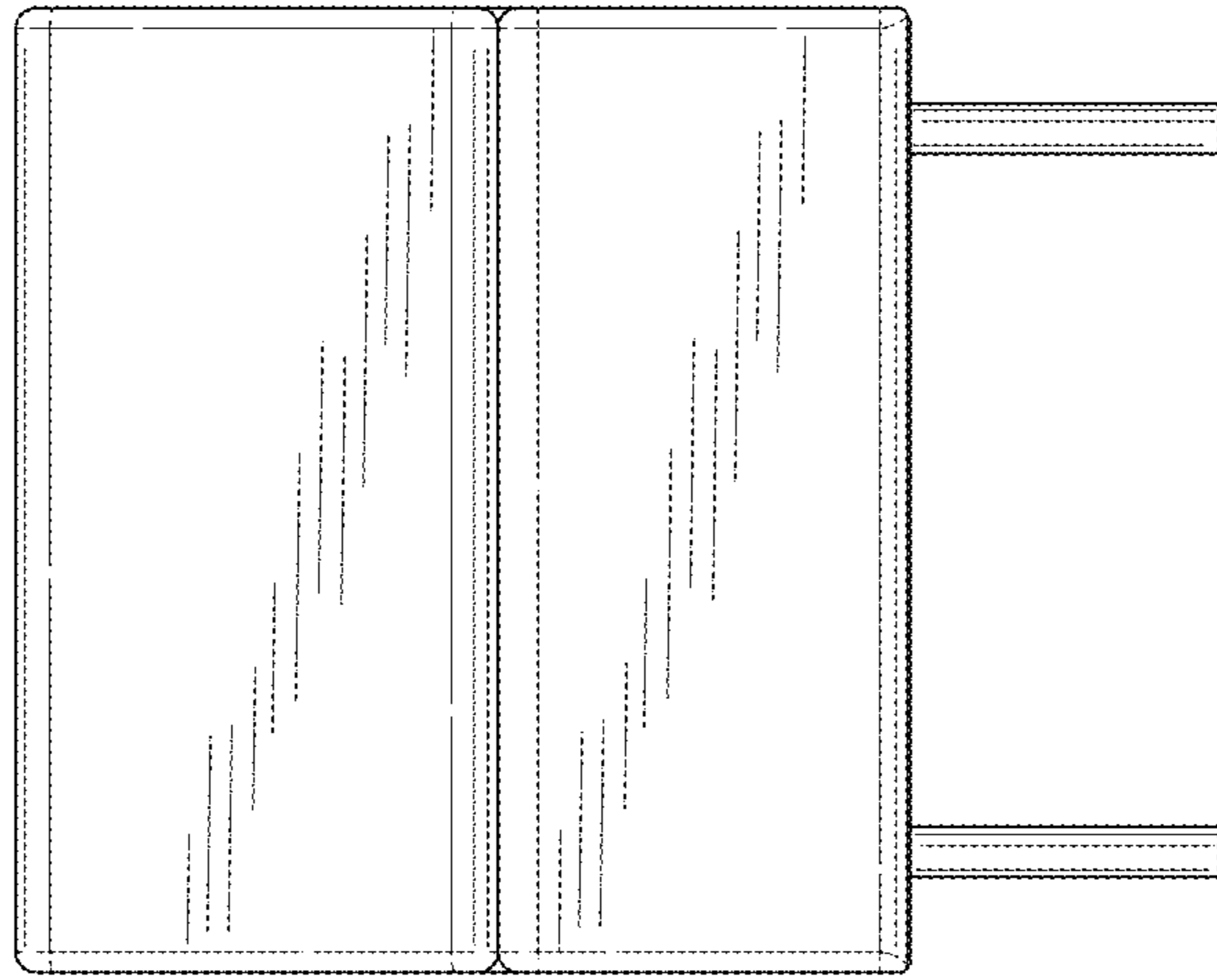


FIG. 4

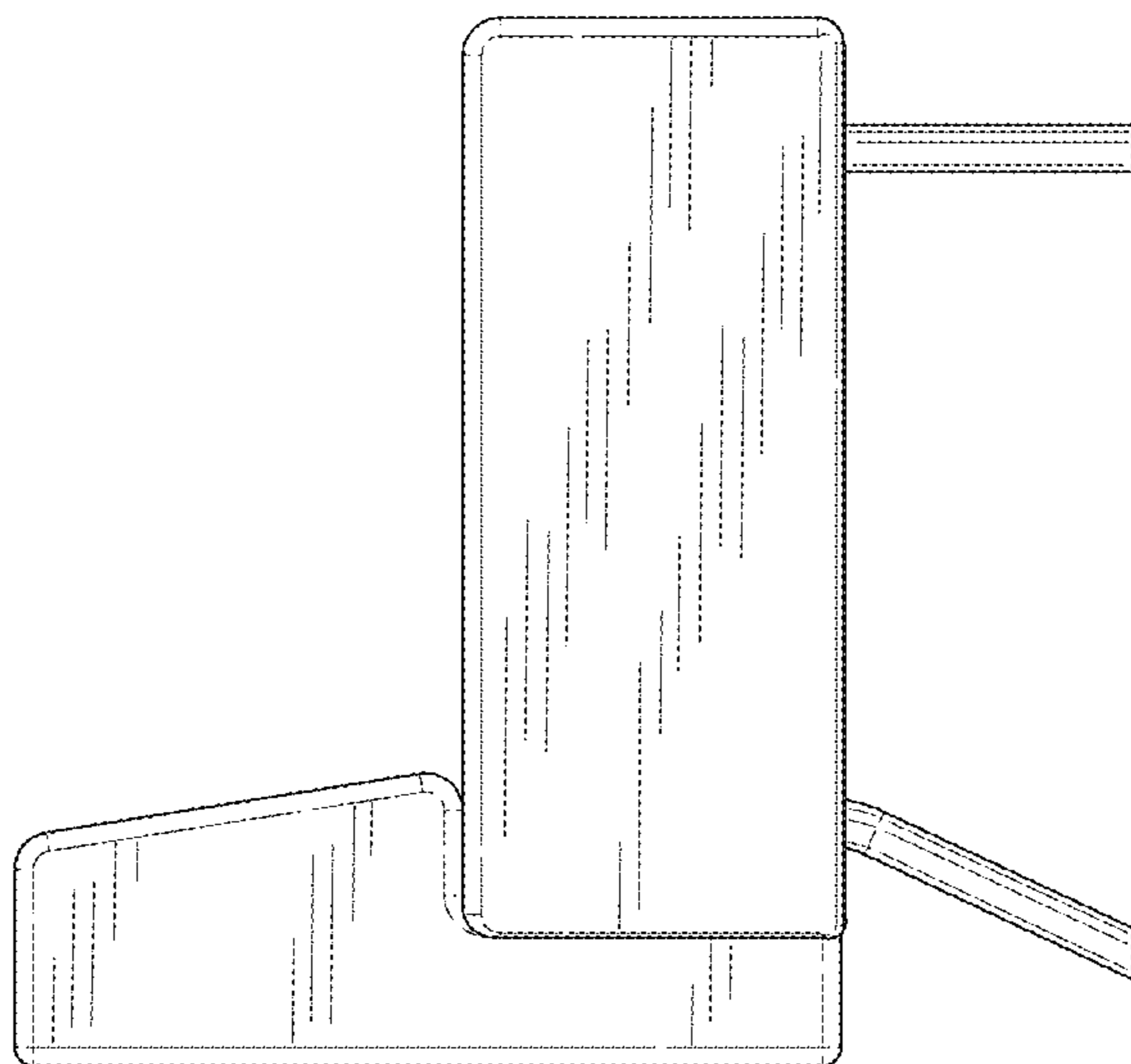


FIG. 3

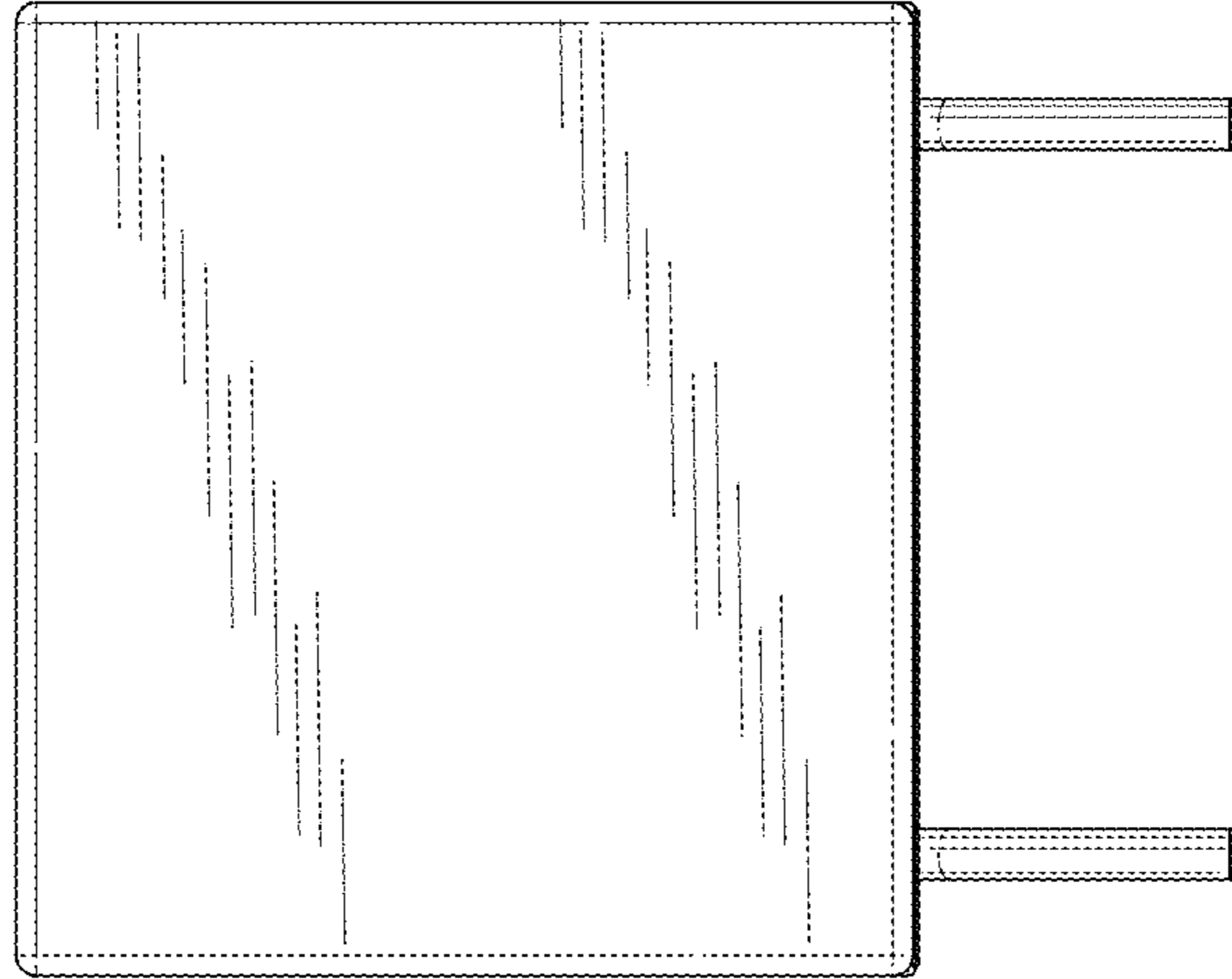


FIG. 6

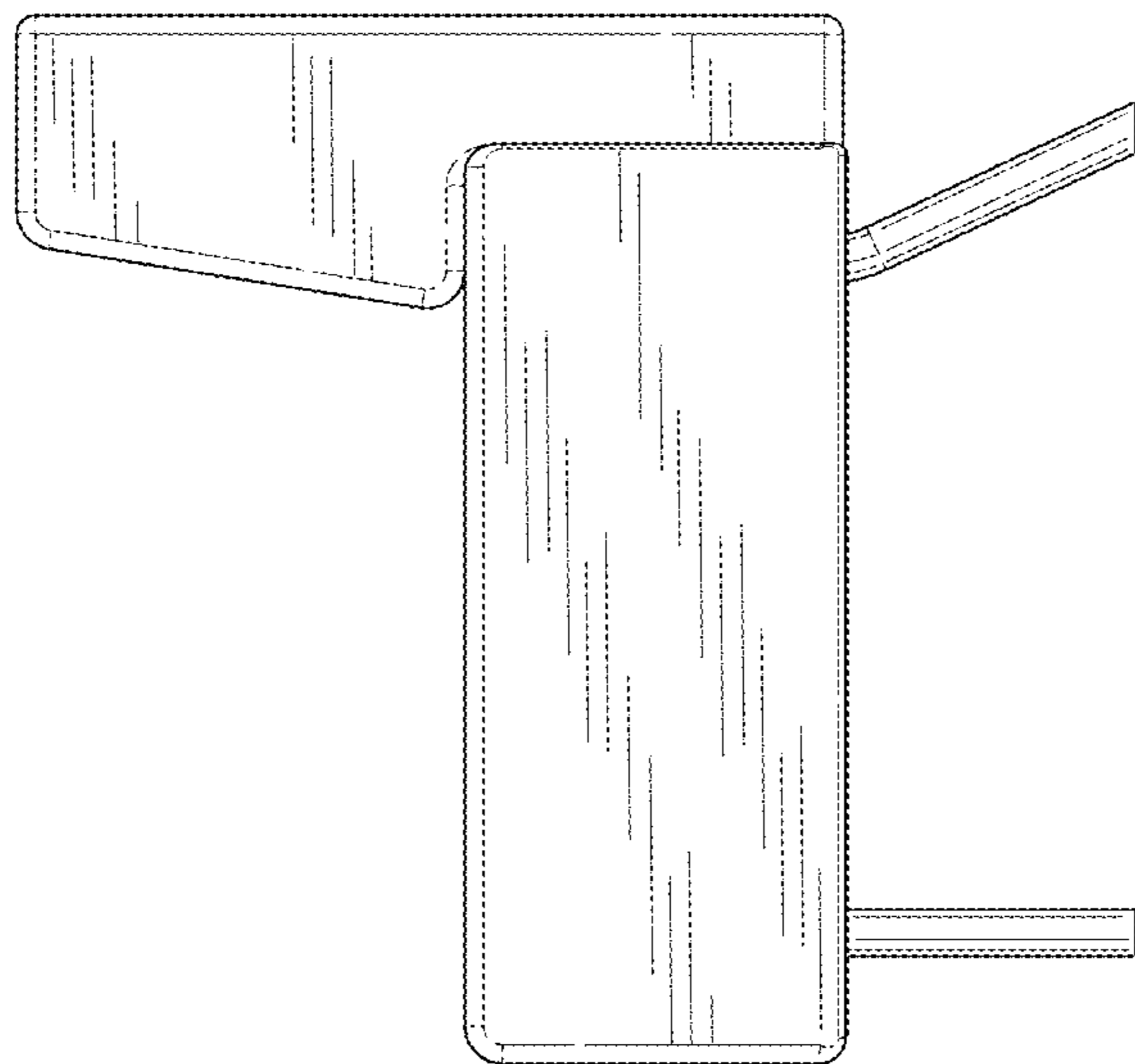


FIG. 5

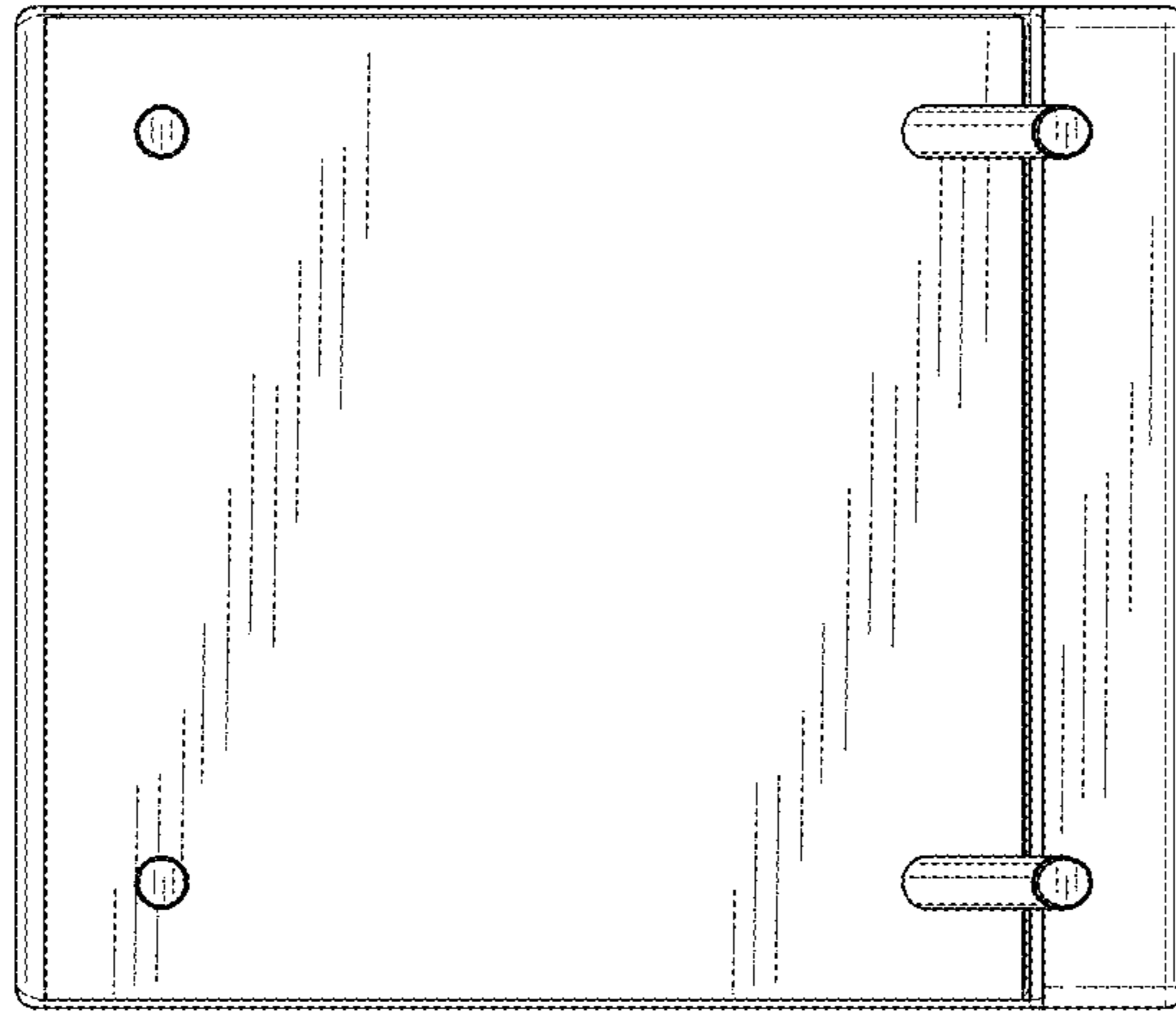


FIG. 8

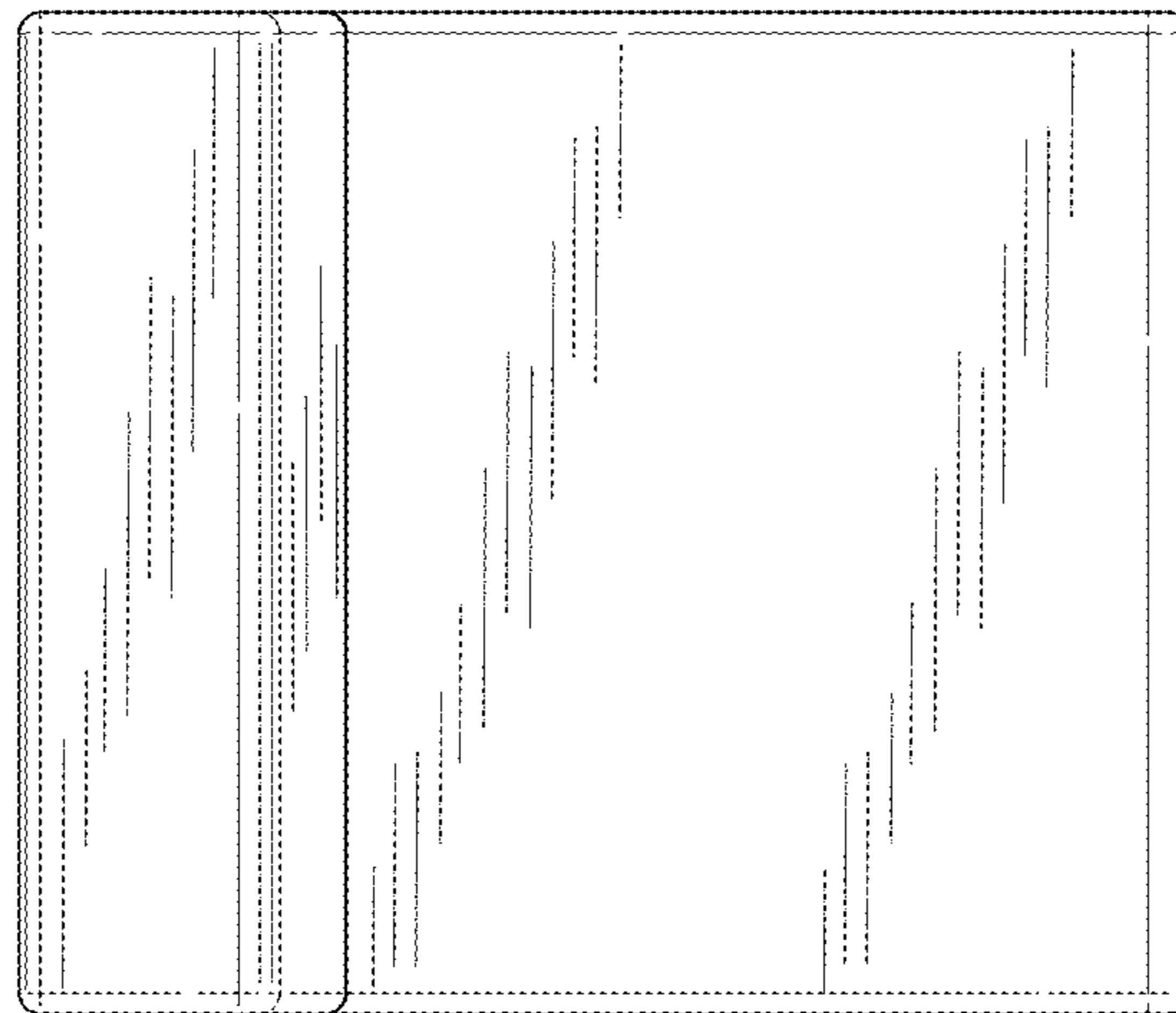


FIG. 7