



US00D866203S

(12) **United States Design Patent**
Lawson et al.

(10) **Patent No.:** **US D866,203 S**
(45) **Date of Patent:** **** Nov. 12, 2019**

(54) **ARTICLE OF FURNITURE**

DESCRIPTION

(71) Applicant: **King Furniture Australia Pty Ltd.,**
Turrella (AU)
(72) Inventors: **Ryan Lawson,** Turrella (AU);
Anastasia Panagopoulos, Turrella (AU)
(73) Assignee: **King Furniture Australia Pty Ltd.,**
Turrella (AU)

(**) Term: **15 Years**

(21) Appl. No.: **29/594,251**

(22) Filed: **Feb. 16, 2017**

(30) **Foreign Application Priority Data**

Aug. 16, 2016 (AU) 201614447
Aug. 16, 2016 (AU) 201614448
Aug. 16, 2016 (AU) 201614449

(51) **LOC (12) Cl.** **06-01**

(52) **U.S. Cl.**
USPC **D6/334; D6/367; D6/381**

(58) **Field of Classification Search**
USPC D6/334, 335, 336, 360, 361, 367, 368,
D6/371-375, 379-381, 716, 716.1-716.8
(Continued)

(56) **References Cited**

U.S. PATENT DOCUMENTS

D264,649 S * 6/1982 Saporiti D6/334
D318,576 S * 7/1991 Fister, Jr. D6/334
(Continued)

Primary Examiner — Deanna L Pratt

(74) *Attorney, Agent, or Firm* — Banner & Witcoff, Ltd.

(57) **CLAIM**

The ornamental design for an article of furniture, as shown and described.

FIG. 1 is a perspective view of a first embodiment of an article of furniture showing our new design with a headrest in a lowered state;

FIG. 2 is a plan view thereof with the headrest in a lowered state;

FIG. 3 is a left side view thereof with the headrest in a lowered state, the right side view being a mirror image;

FIG. 4 is a front view thereof with the headrest in a lowered state;

FIG. 5 is a rear view thereof with the headrest in a lowered state;

FIG. 6 is a perspective view of the first embodiment of the article of furniture showing our new design with the headrest in a raised state;

FIG. 7 is a plan view thereof with the headrest in a raised state;

FIG. 8 is a left side view thereof with the headrest in a raised state, the right side view being a mirror image;

FIG. 9 is a front view thereof with the headrest in a raised state;

FIG. 10 is a rear view thereof with the headrest in a raised state;

FIG. 11 is a perspective view of a second embodiment of an article of furniture showing our new design with a headrest in a lowered state;

FIG. 12 is a plan view thereof with the headrest in a lowered state;

FIG. 13 is a left side view thereof with the headrest in a lowered state, the right side view being a mirror image;

FIG. 14 is a front view thereof with the headrest in a lowered state;

FIG. 15 is a rear view thereof with the headrest in a lowered state;

FIG. 16 is a perspective view of the second embodiment of the article of furniture showing our new design with the headrest in a raised state;

FIG. 17 is a plan view thereof with the headrest in a raised state;

FIG. 18 is a left side view thereof with the headrest in a raised state, the right side view being a mirror image;

(Continued)

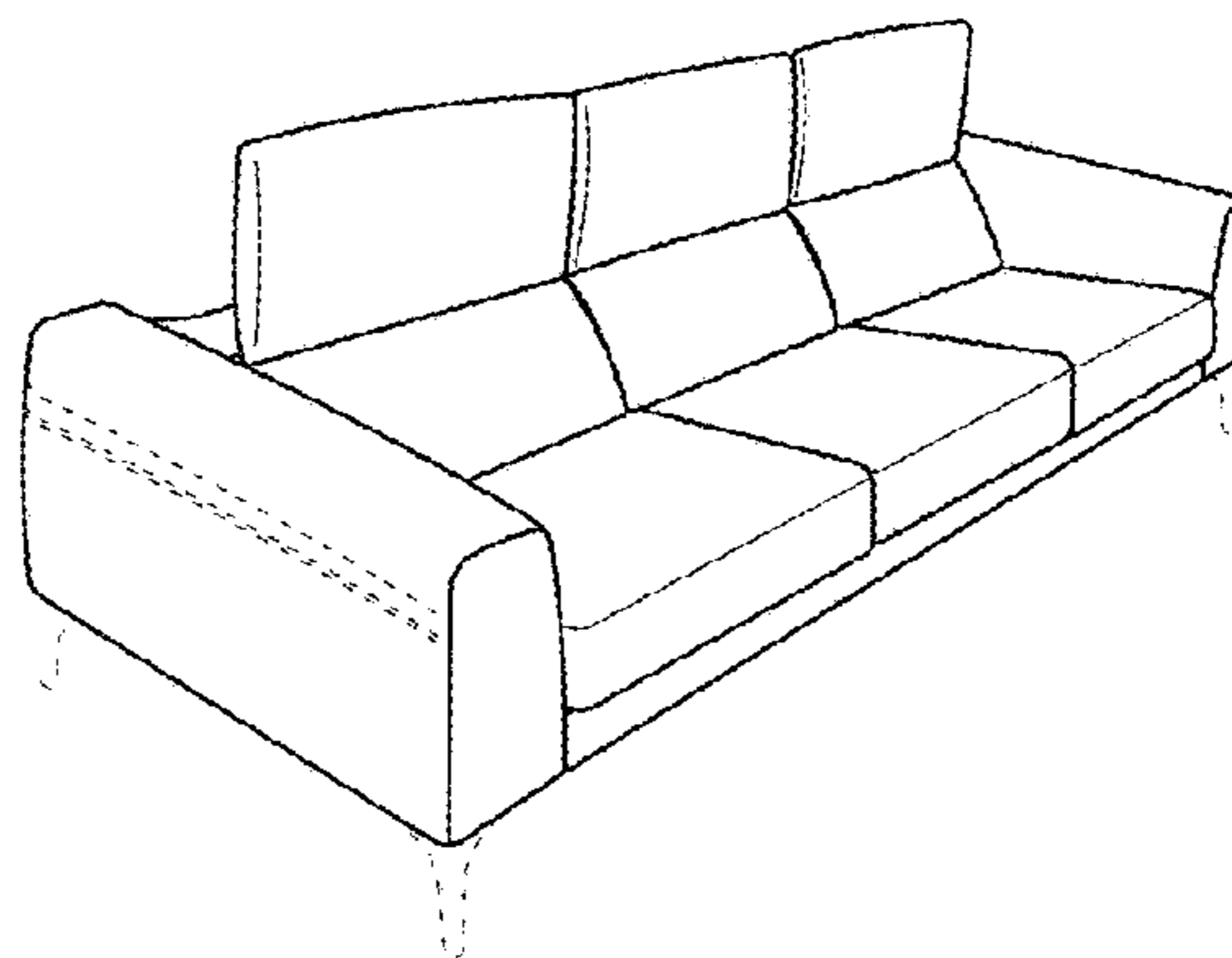
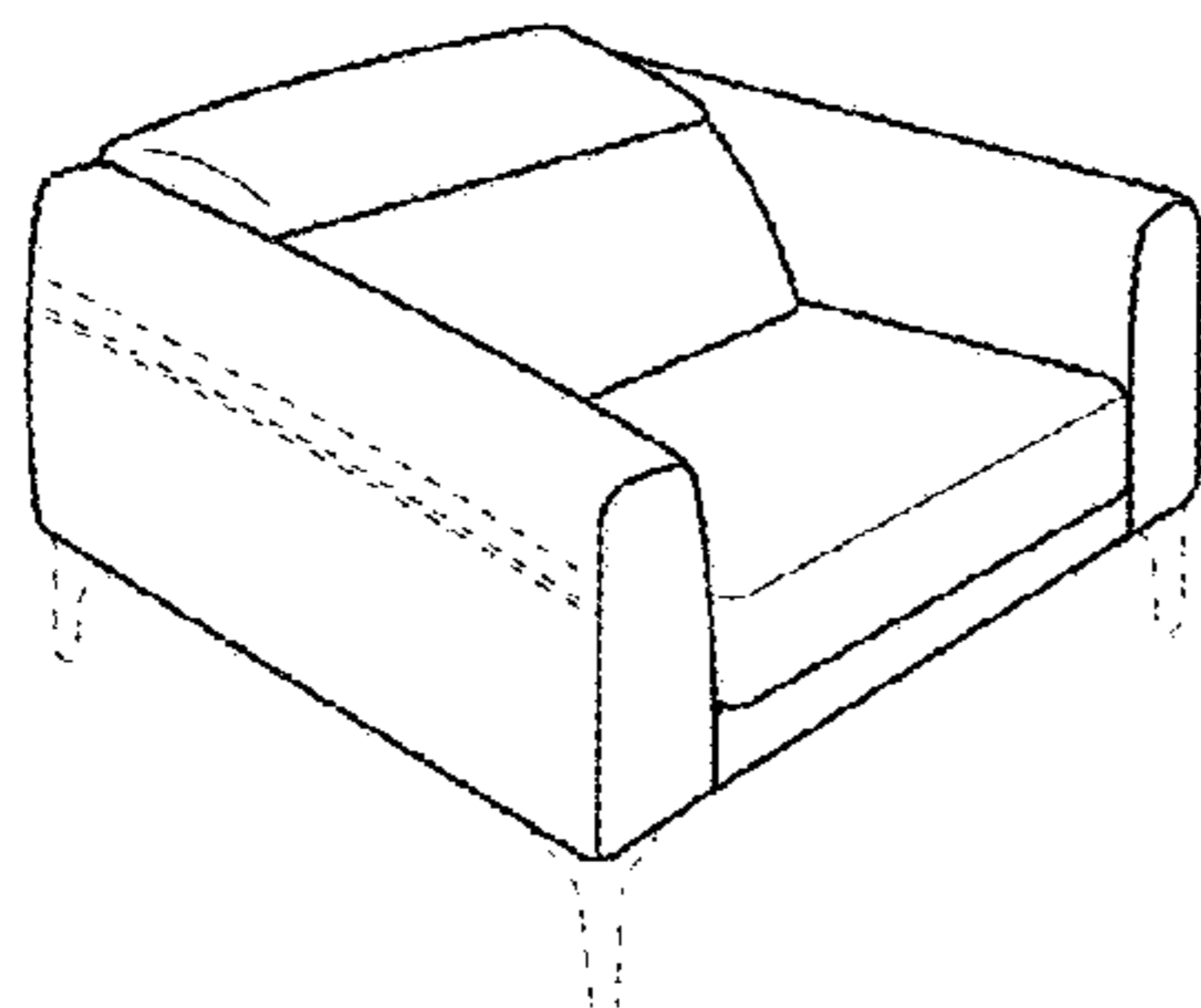


FIG. 19 is a front view thereof with the headrest in a raised state;
FIG. 20 is a rear view thereof with the headrest in a raised state;
FIG. 21 is a perspective view of a third embodiment of an article of furniture showing our new design with a headrest in a lowered state;
FIG. 22 is a plan view thereof with the headrest in a lowered state;
FIG. 23 is a left side view thereof with the headrest in a lowered state, the right side view being a mirror image;
FIG. 24 is a front view thereof with the headrest in a lowered state;
FIG. 25 is a rear view thereof with the headrest in a lowered state;
FIG. 26 is a perspective view of the third embodiment of the article of furniture showing our new design with the headrest in a raised state;
FIG. 27 is a plan view thereof with the headrest in a raised state;
FIG. 28 is a left side view thereof with the headrest in a raised state, the right side view being a mirror image;
FIG. 29 is a front view thereof with the headrest in a raised state; and,
FIG. 30 is a rear view thereof with the headrest in a raised state.

The broken lines illustrate portions of the article of furniture that form no part of the claimed design.

1 Claim, 6 Drawing Sheets

(58) **Field of Classification Search**

CPC A47C 17/00; A47C 17/02; A47C 17/04;
A47C 17/045; A47C 17/12; A47C 17/175
See application file for complete search history.

(56) **References Cited**

U.S. PATENT DOCUMENTS

D429,082	S	*	8/2000	Desombre	D6/367
D505,277	S	*	5/2005	Tapinassi	D6/334
D518,302	S	*	4/2006	Tapinassi	D6/361
D555,368	S	*	11/2007	Wieland	D6/334
D572,916	S	*	7/2008	Galardo	D6/334
D600,938	S	*	9/2009	Natuzzi	D6/381
D618,471	S	*	6/2010	Natuzzi	D6/381
D702,958	S	*	4/2014	Natuzzi	D6/381
D702,960	S	*	4/2014	Natuzzi	D6/381
D785,955	S	*	5/2017	Jourdan	D6/334
D803,587	S	*	11/2017	Dix	D6/334
D805,798	S	*	12/2017	Vignatelli	D6/381

* cited by examiner

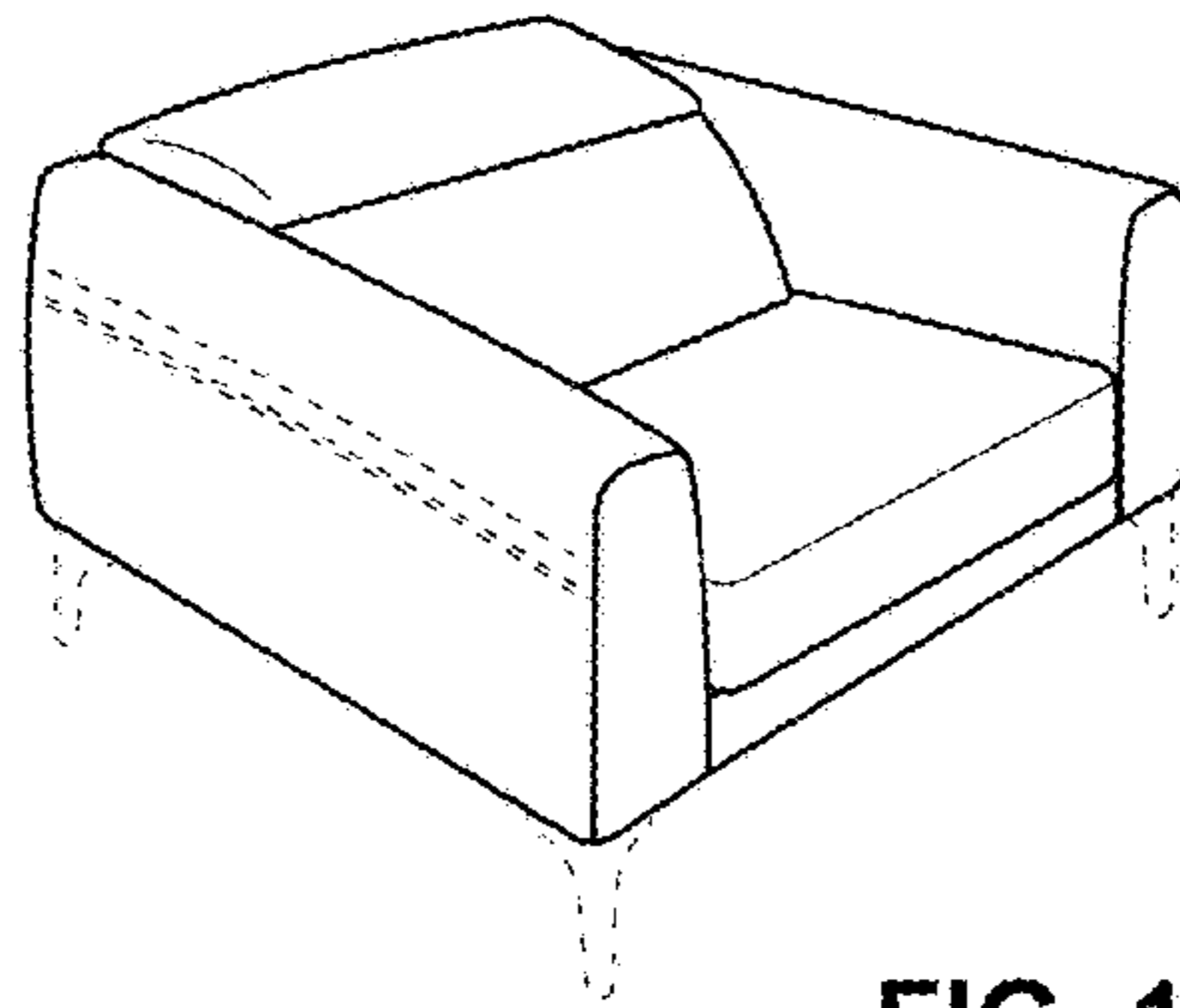


FIG. 1

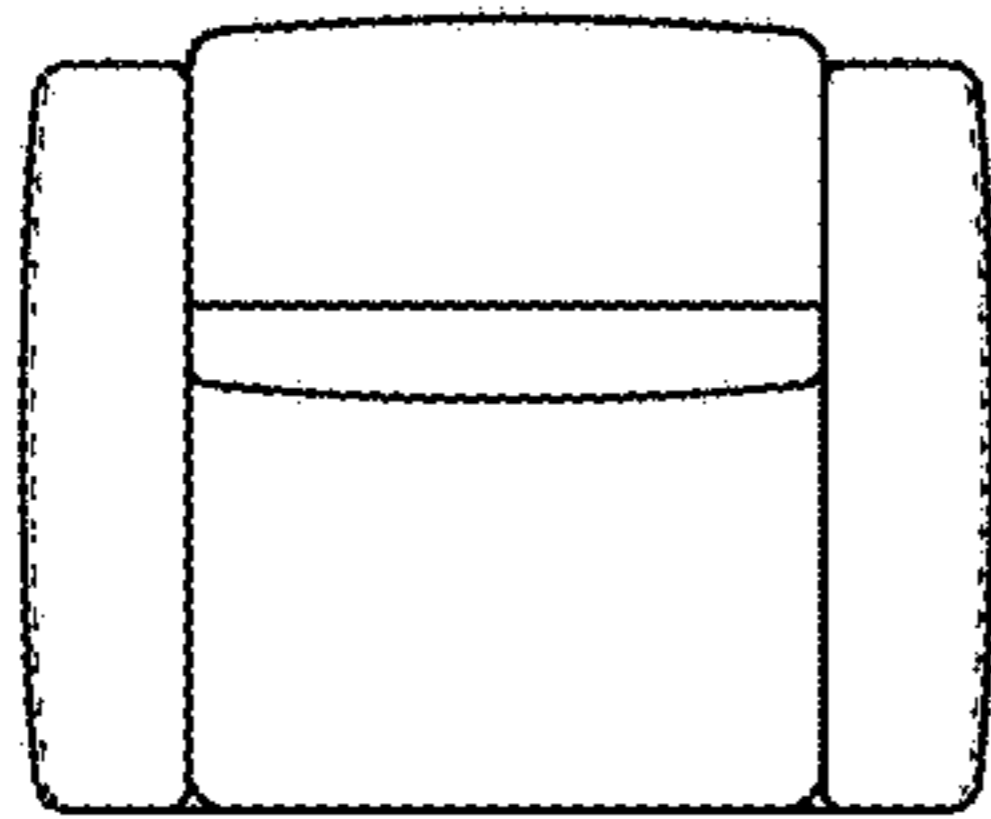


FIG. 2

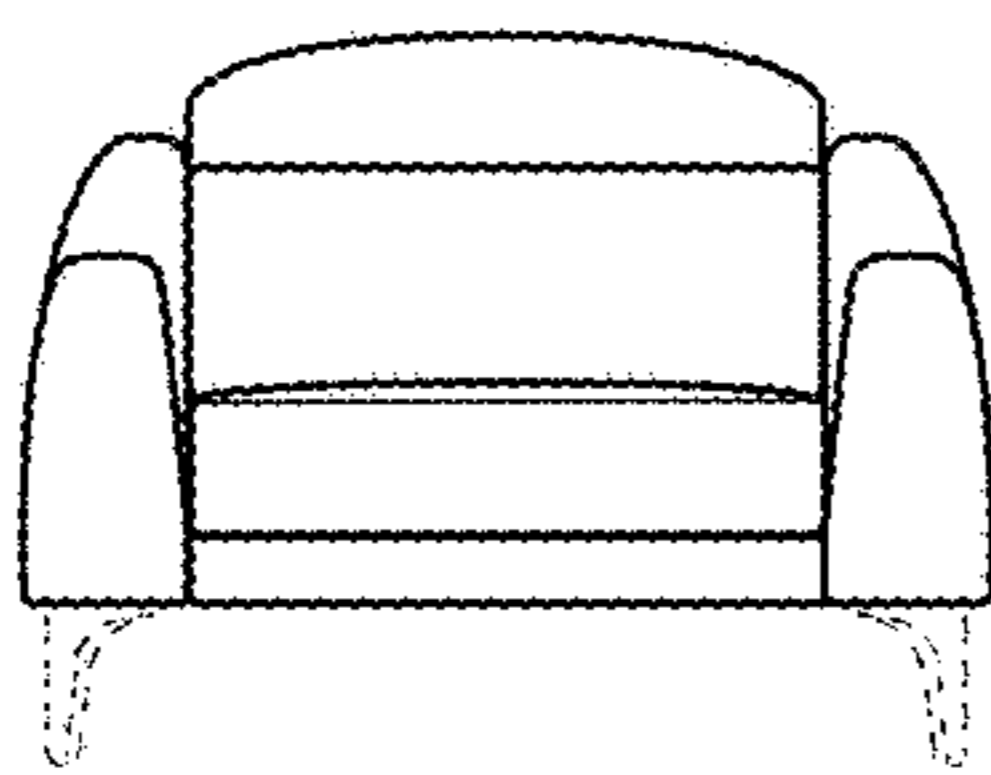


FIG. 4

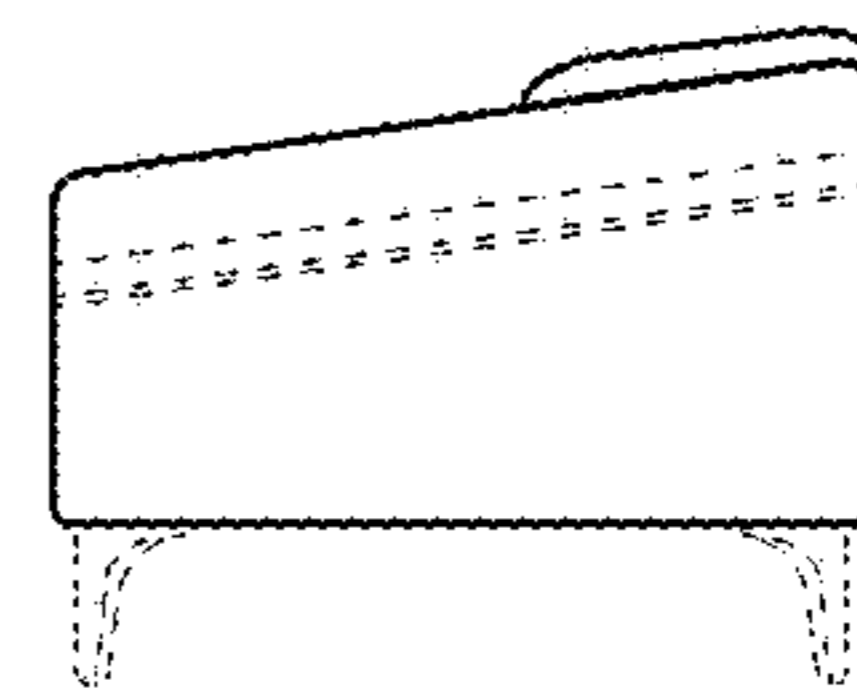


FIG. 3

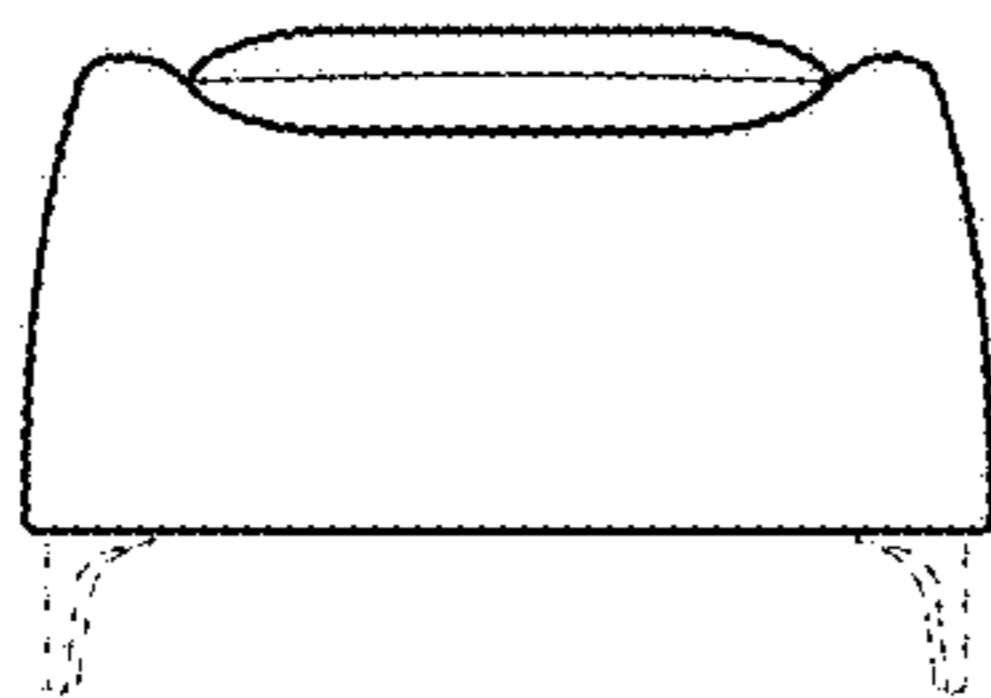


FIG. 5

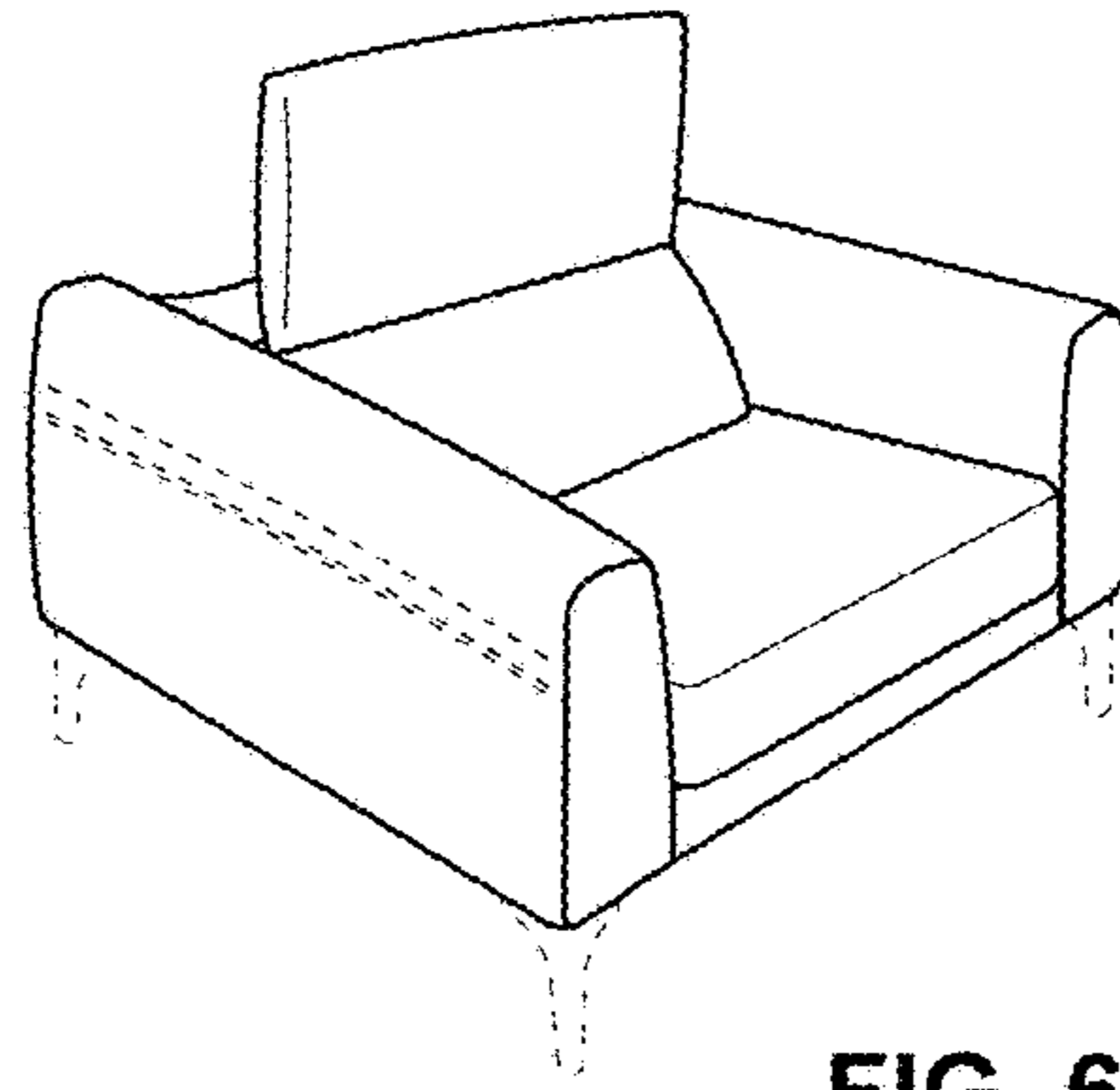


FIG. 6

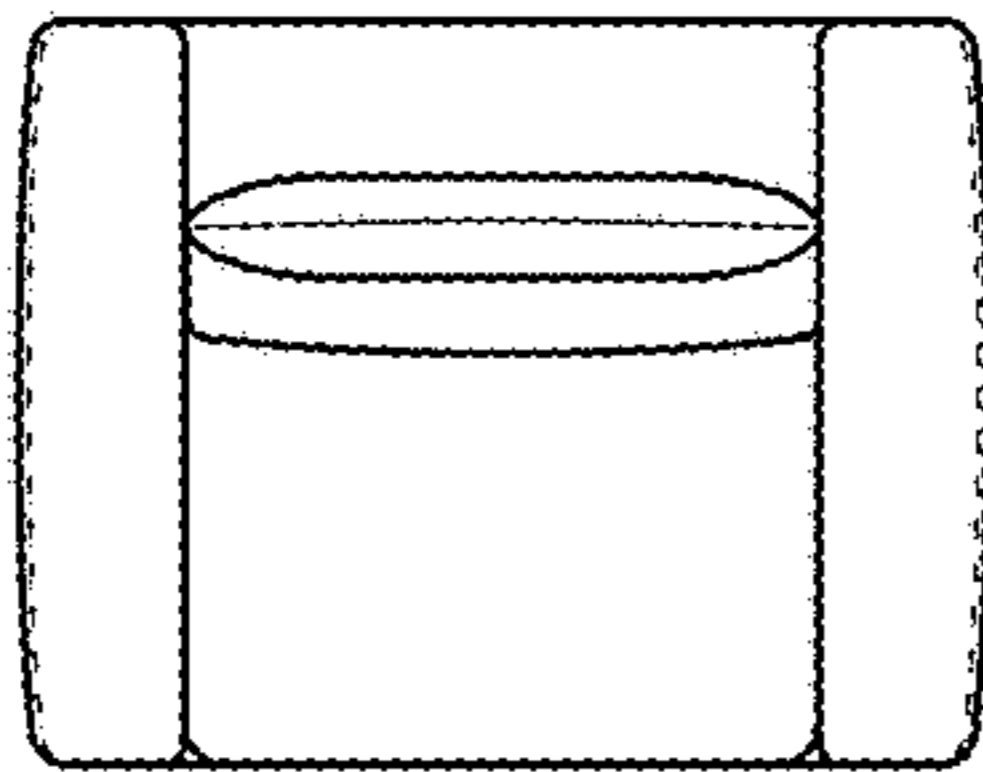


FIG. 7

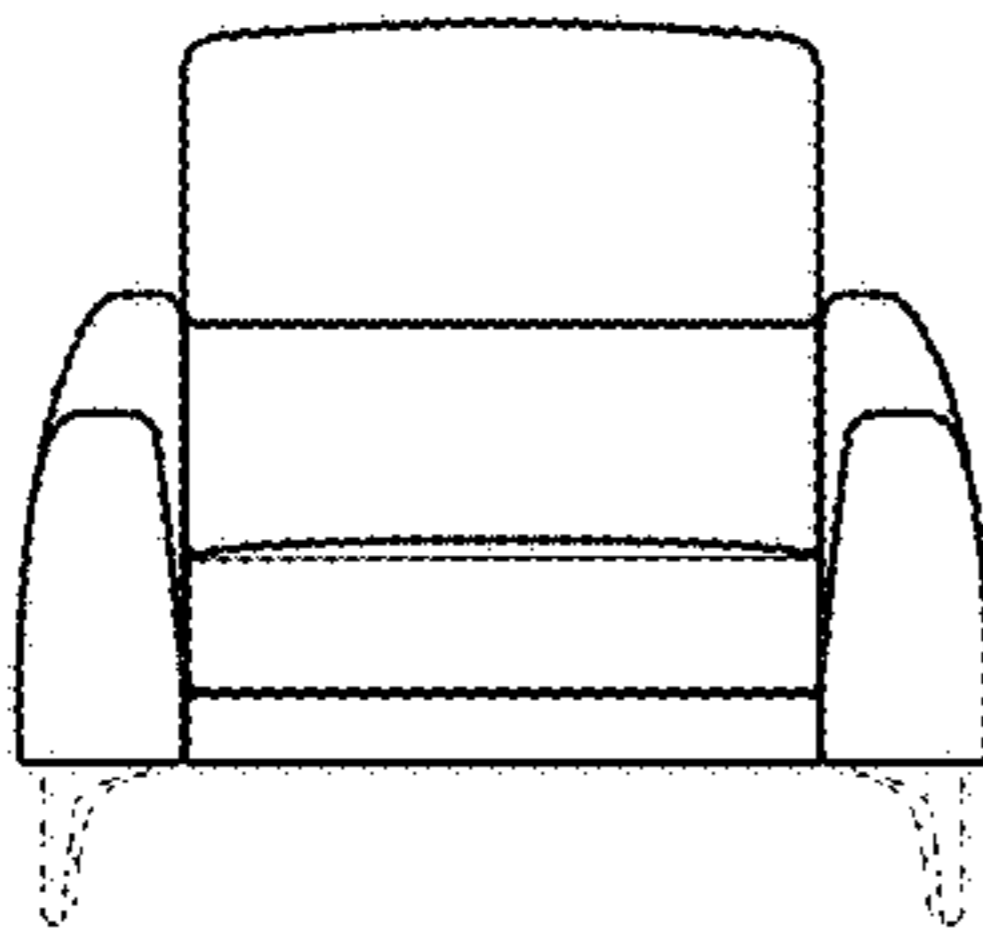


FIG. 9

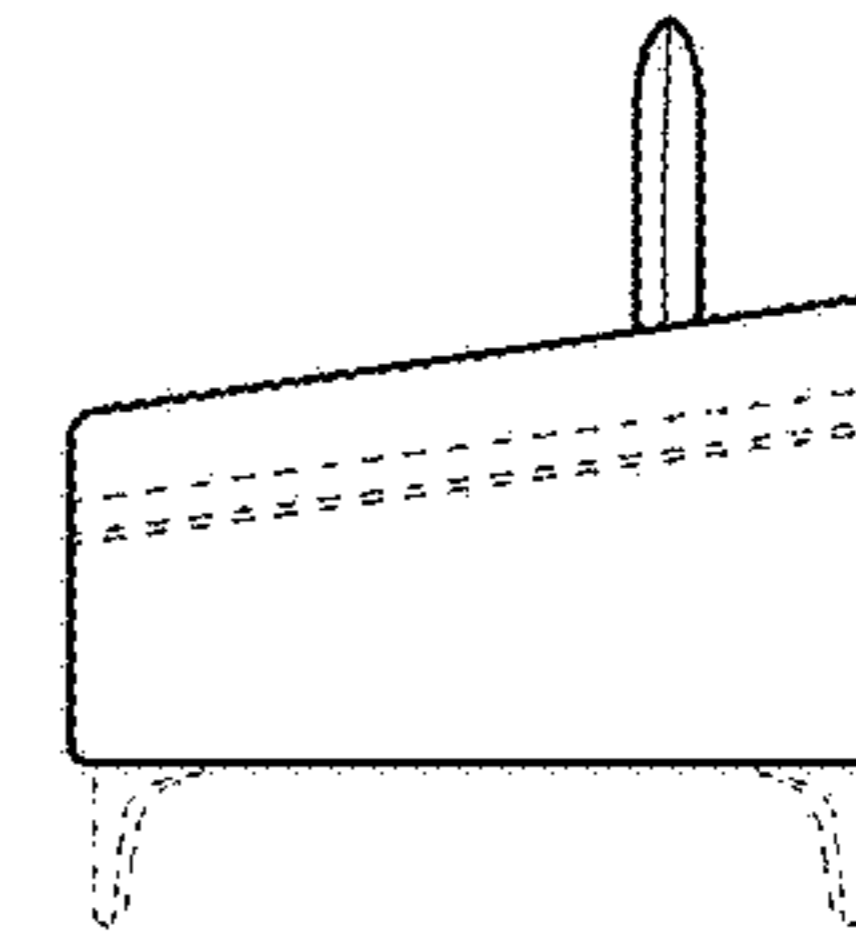


FIG. 8

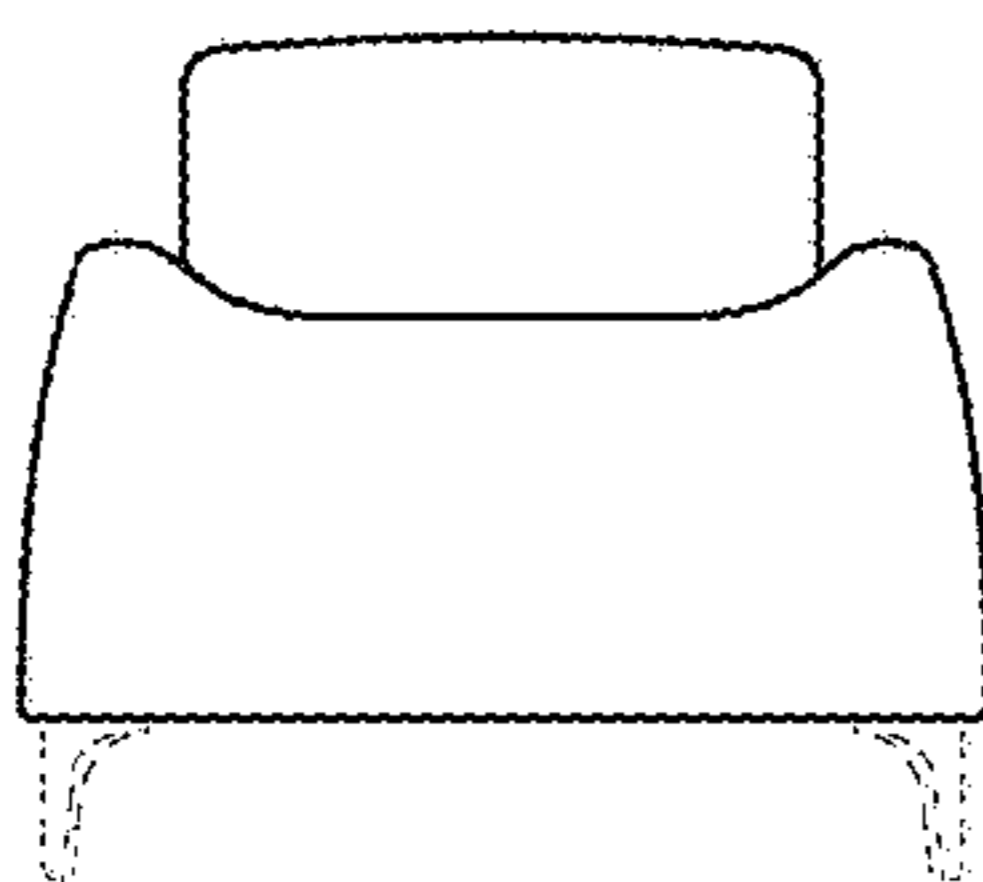


FIG. 10

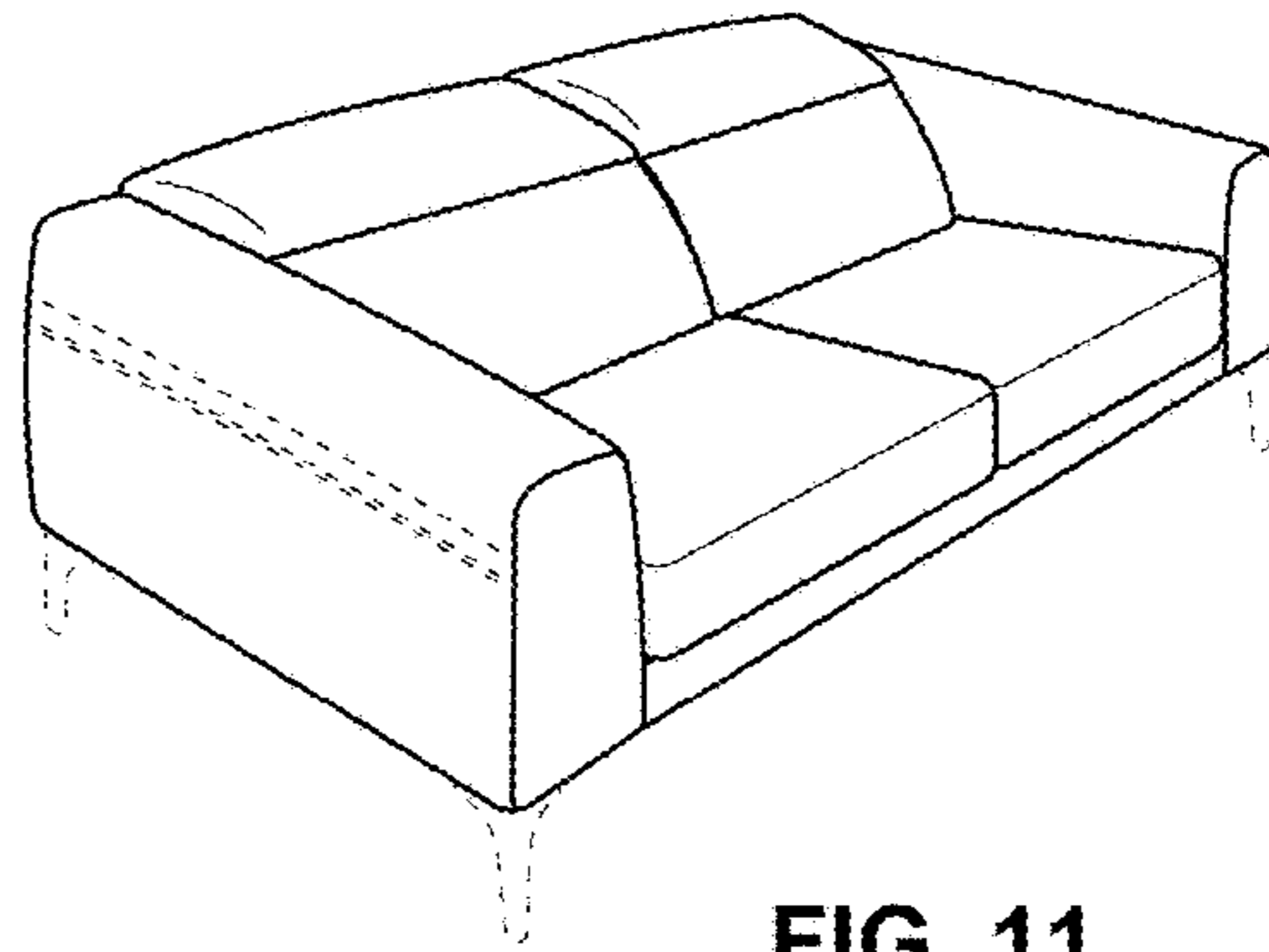


FIG. 11

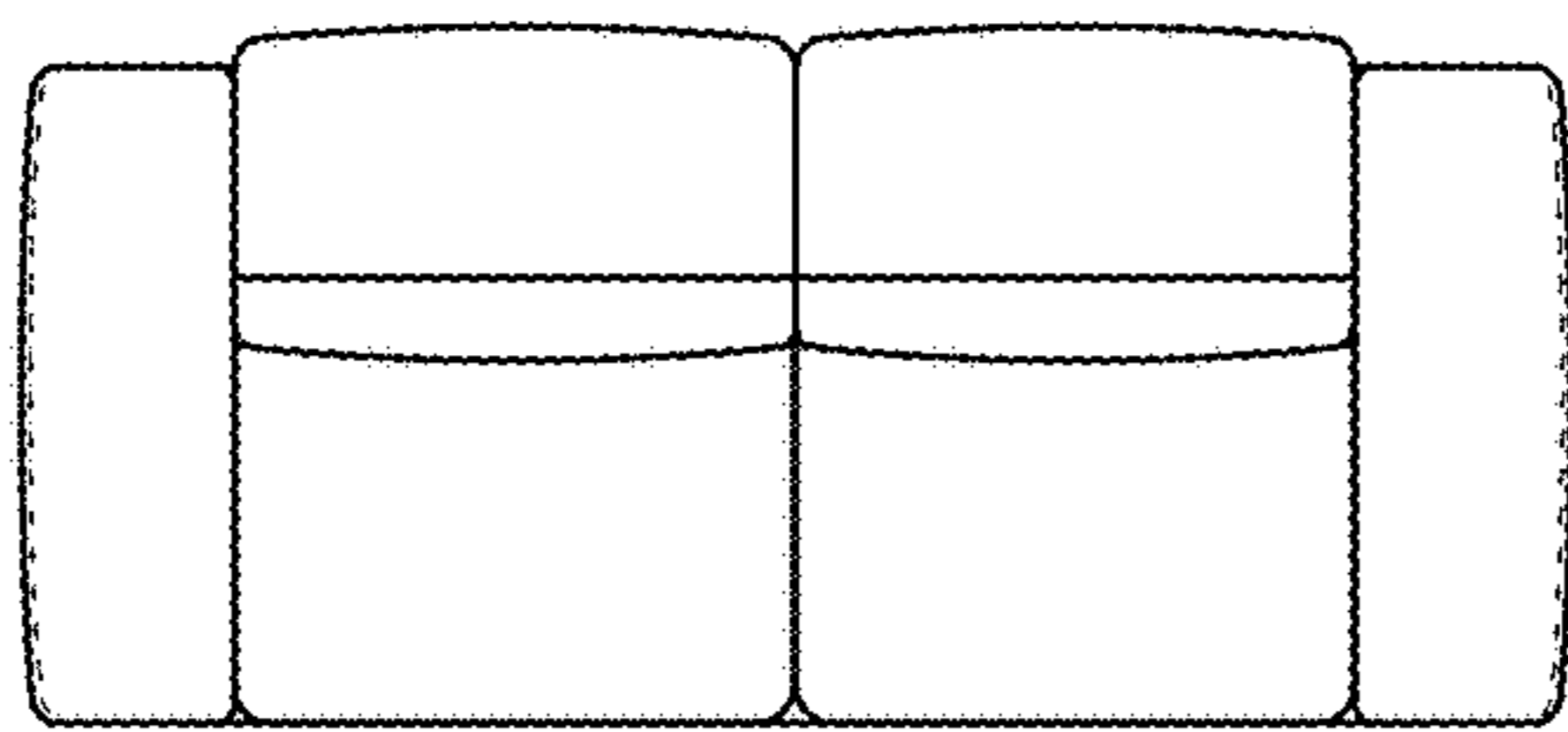


FIG. 12

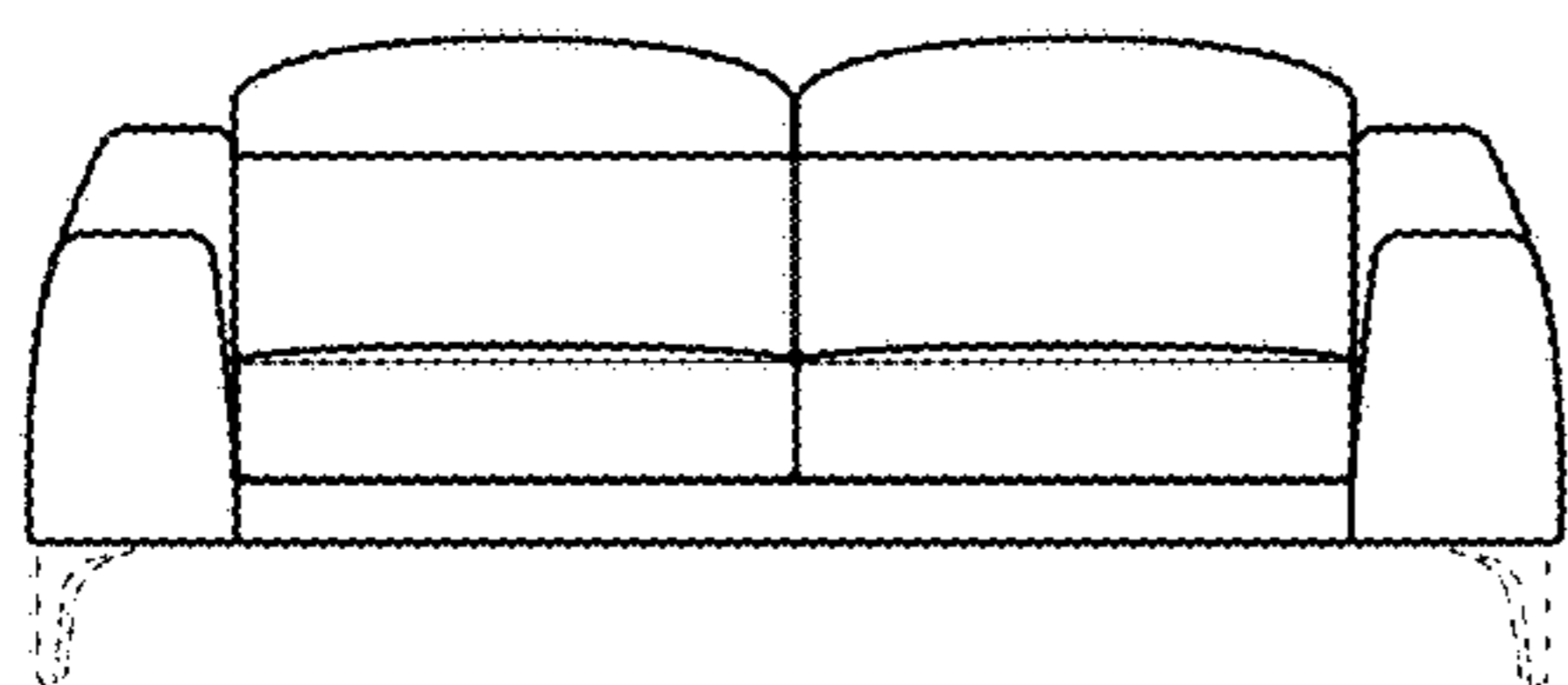


FIG. 14

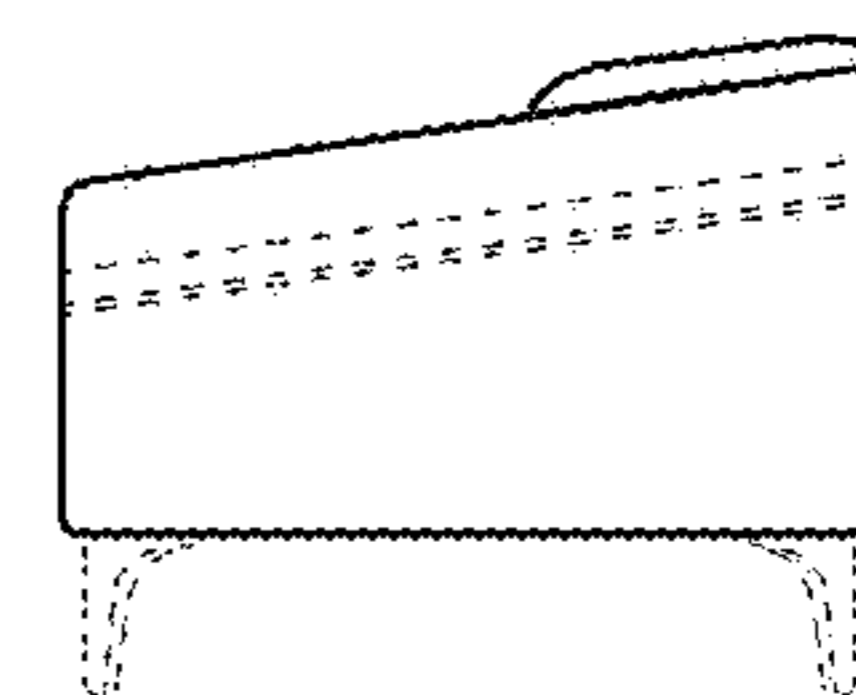


FIG. 13

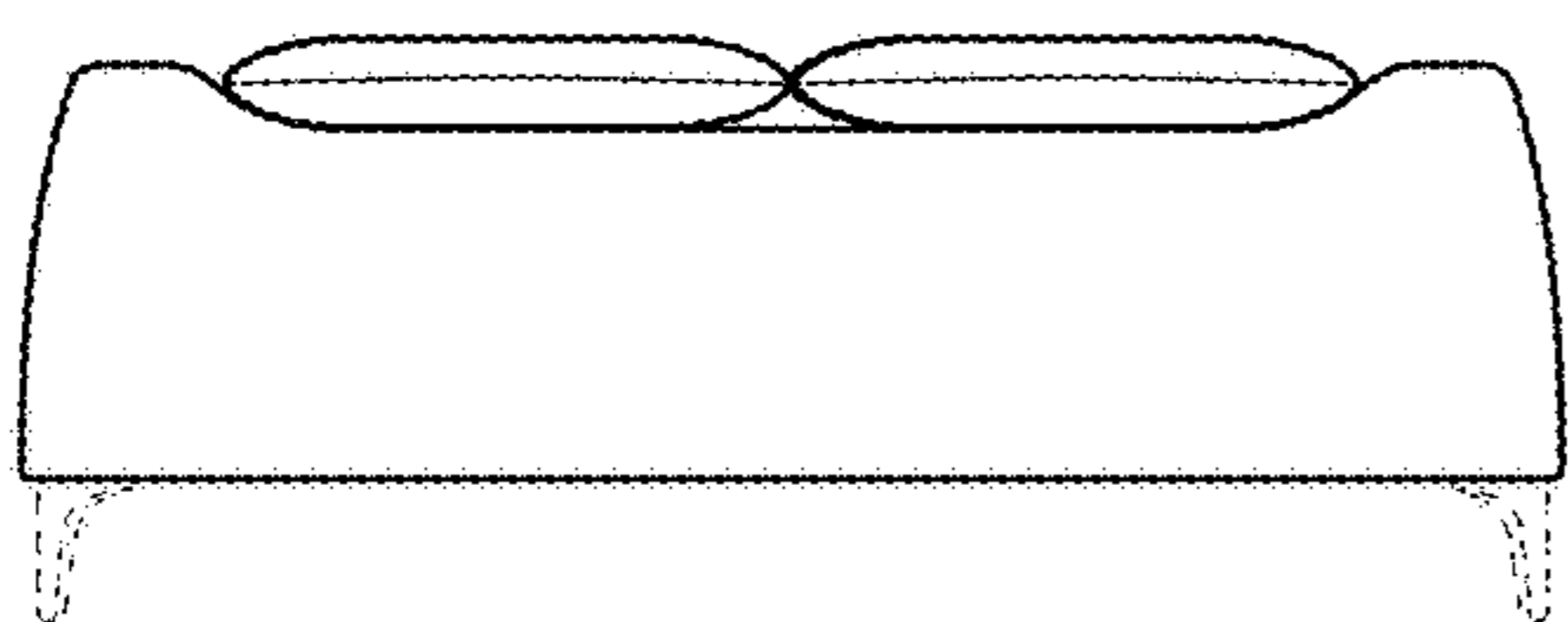


FIG. 15

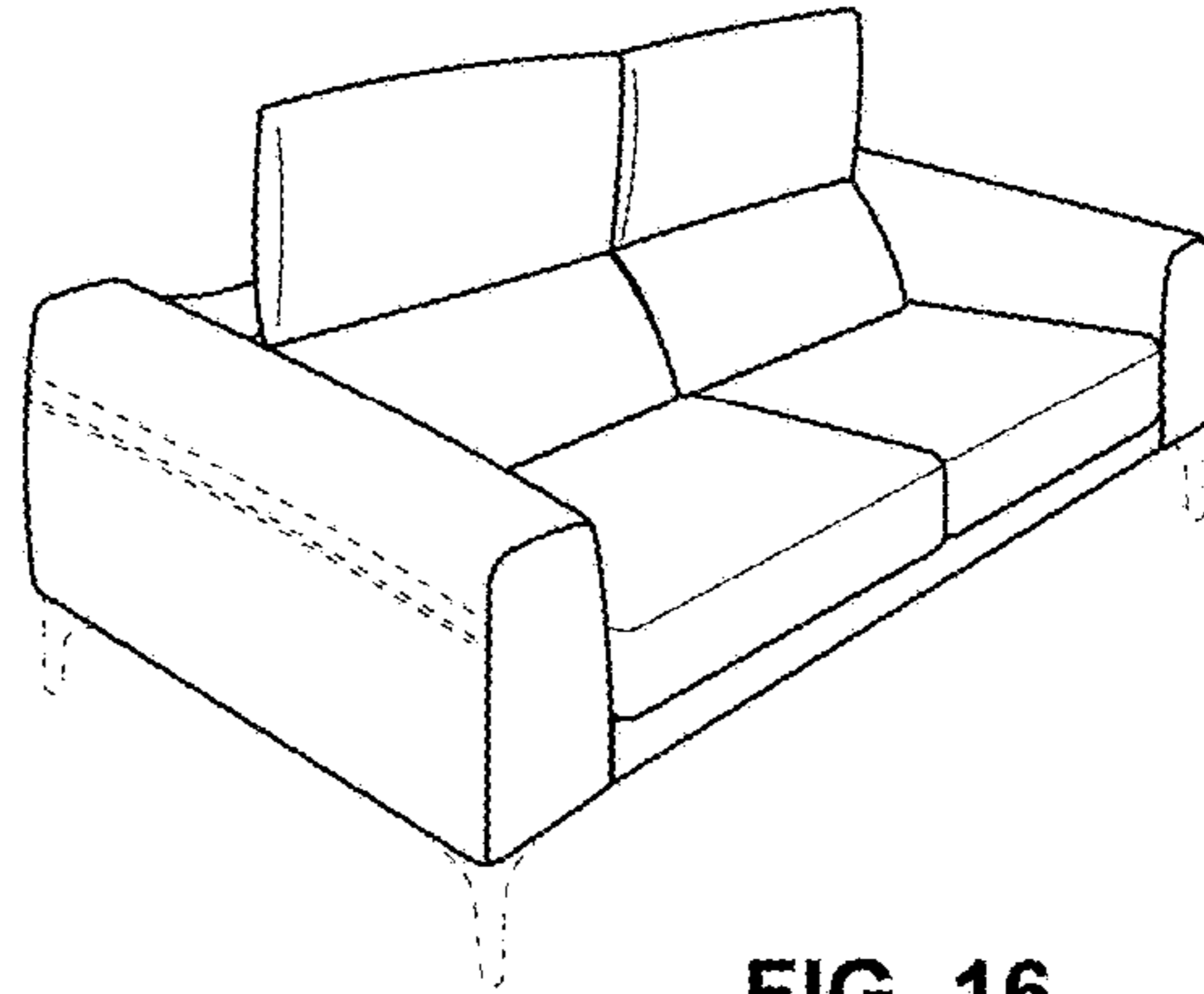


FIG. 16

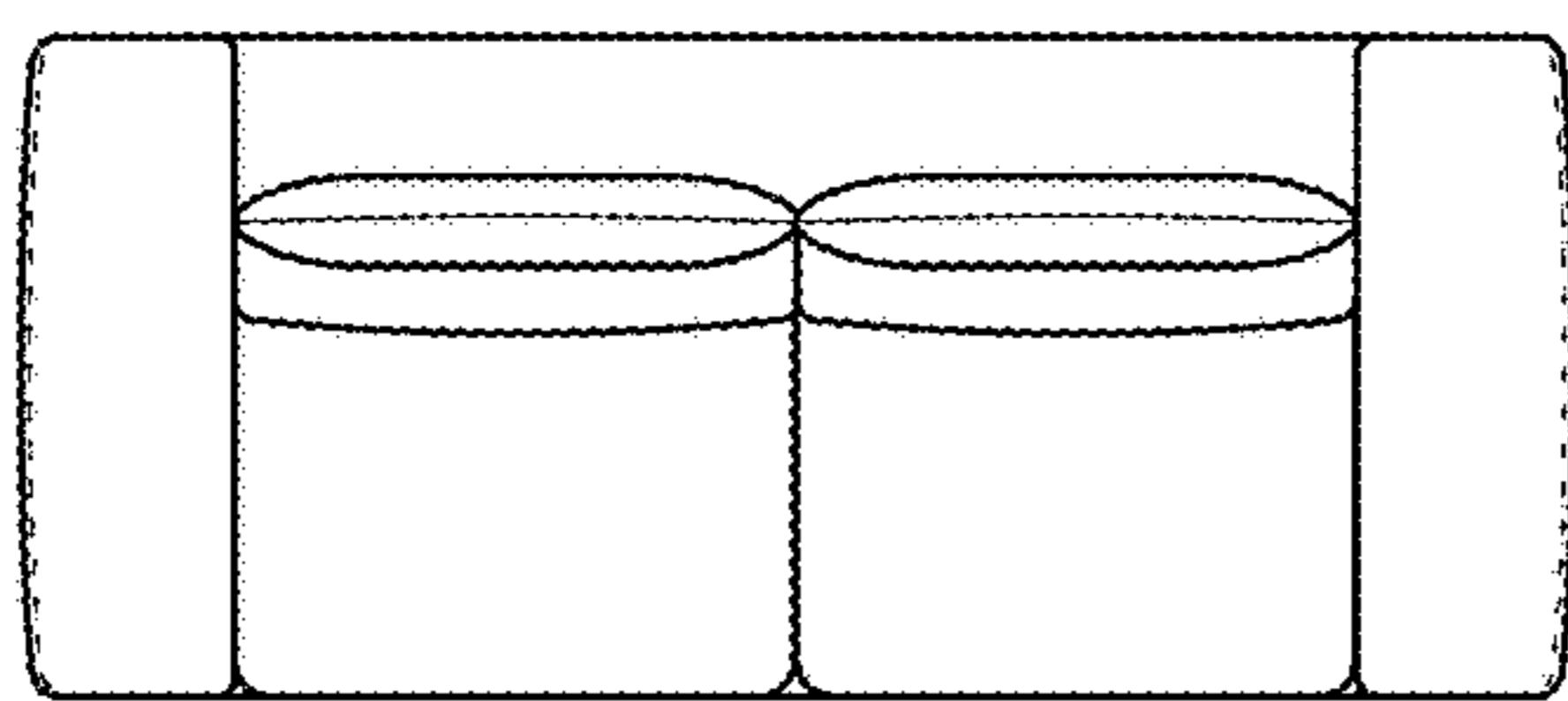


FIG. 17

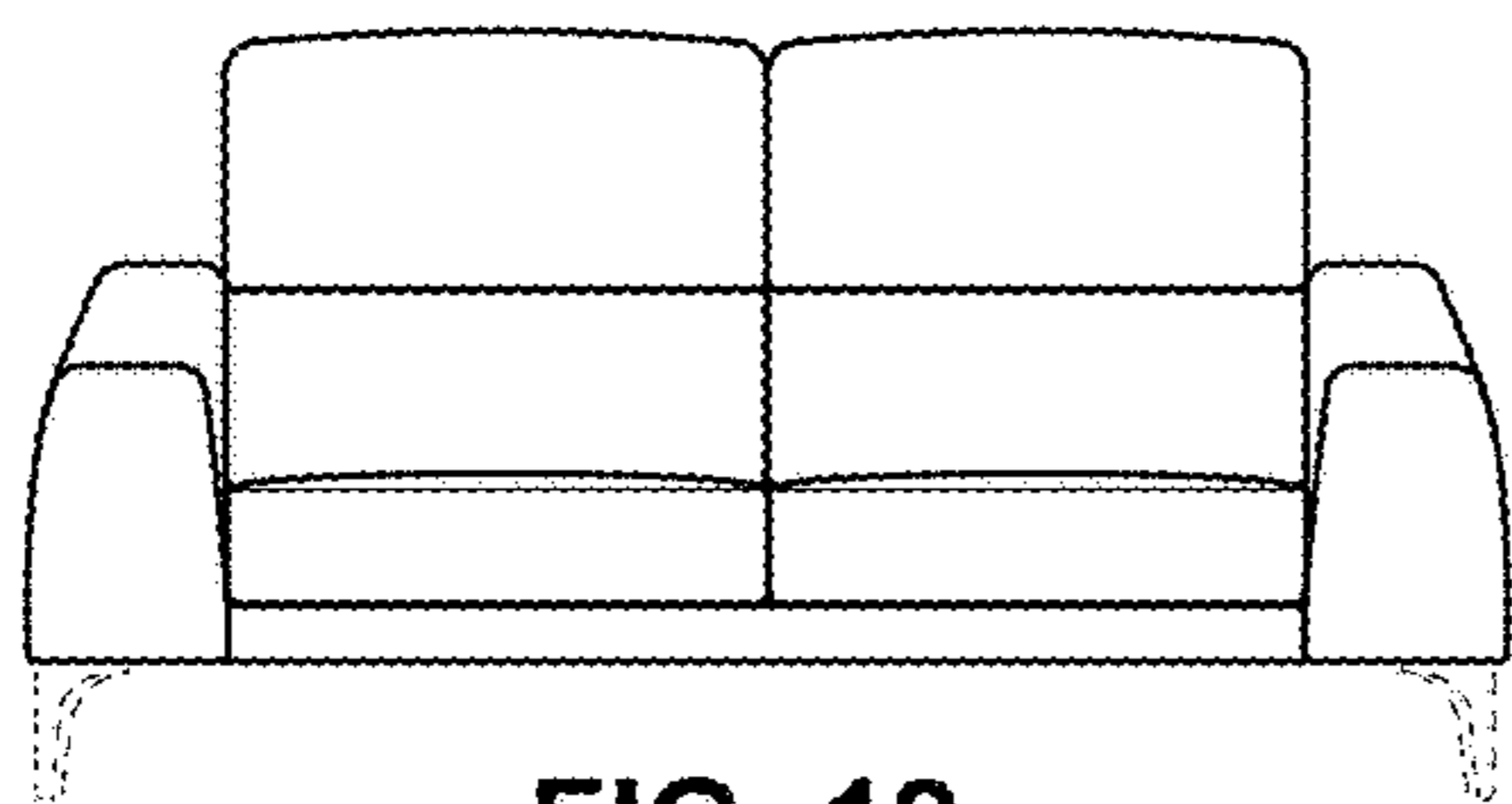


FIG. 19

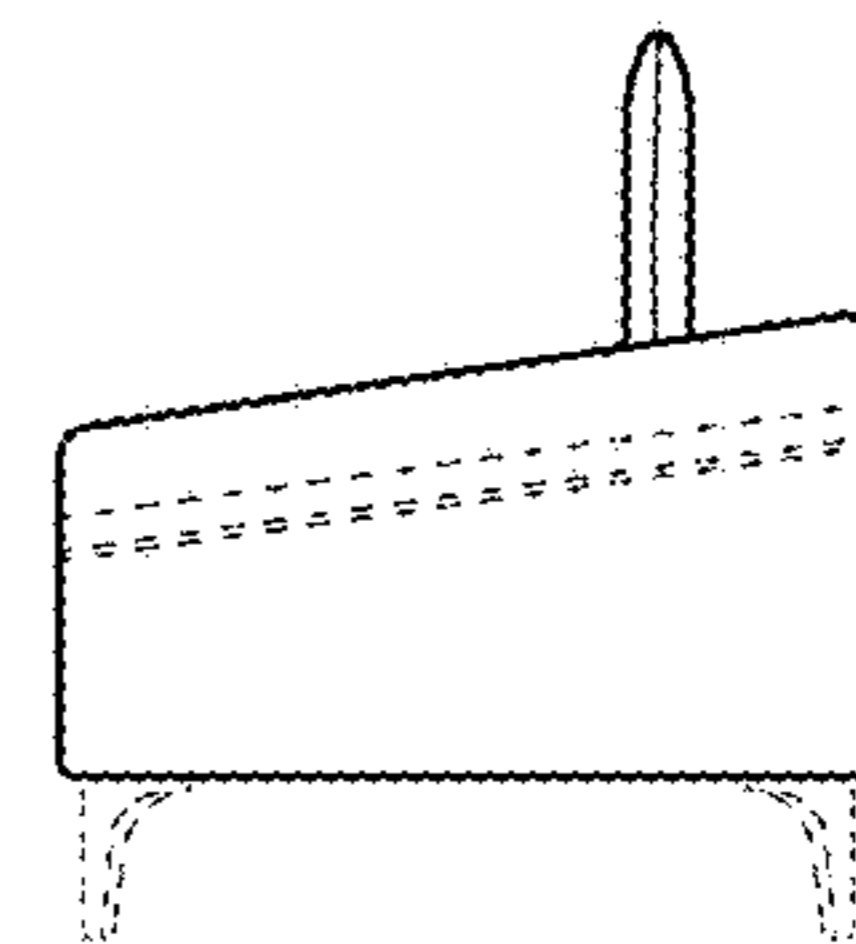


FIG. 18

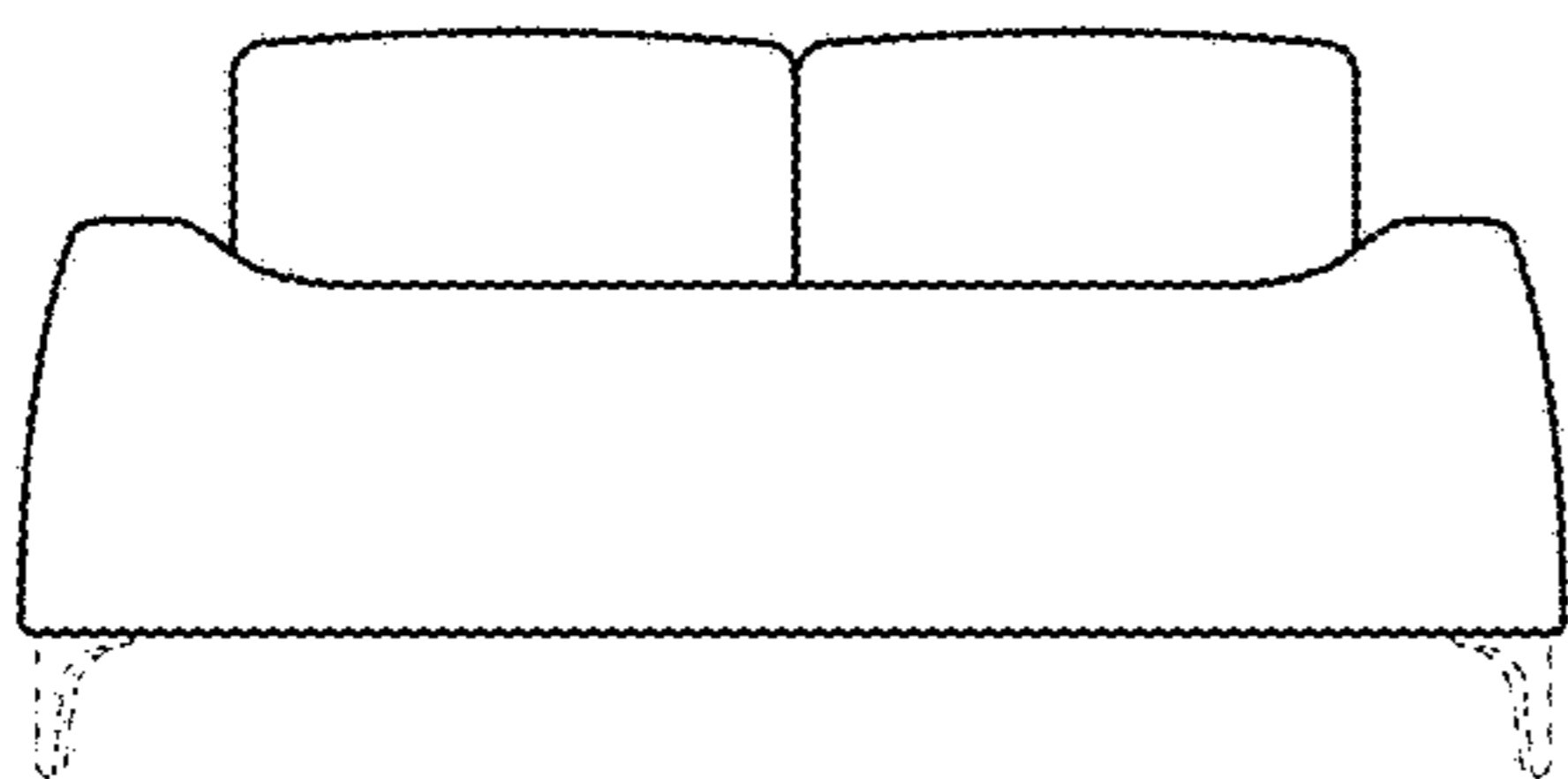


FIG. 20

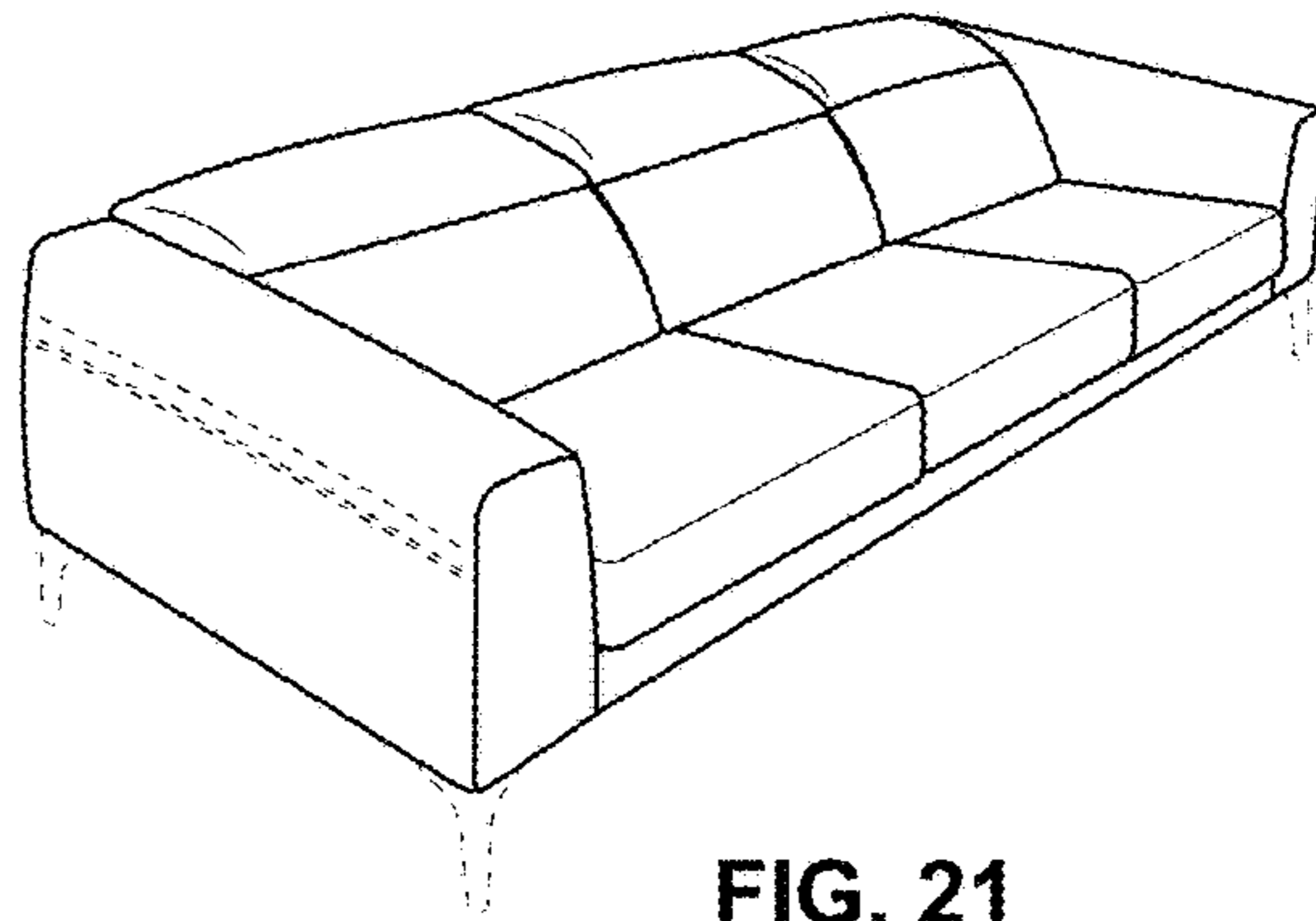


FIG. 21

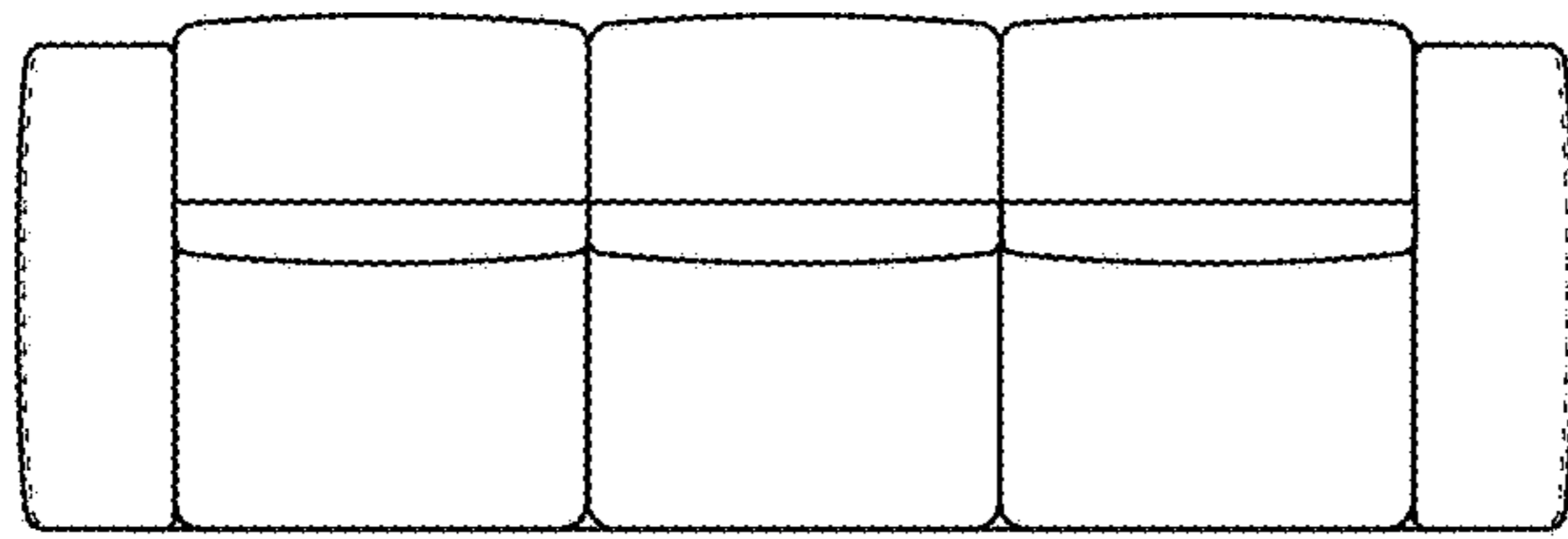


FIG. 22

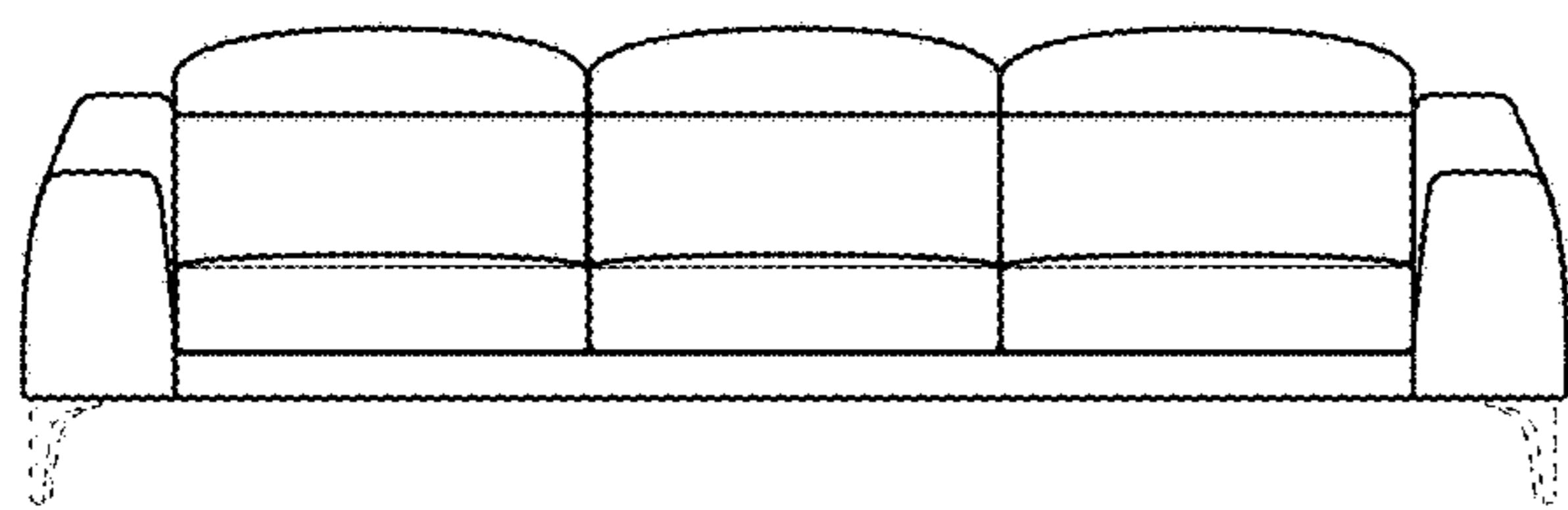


FIG. 24

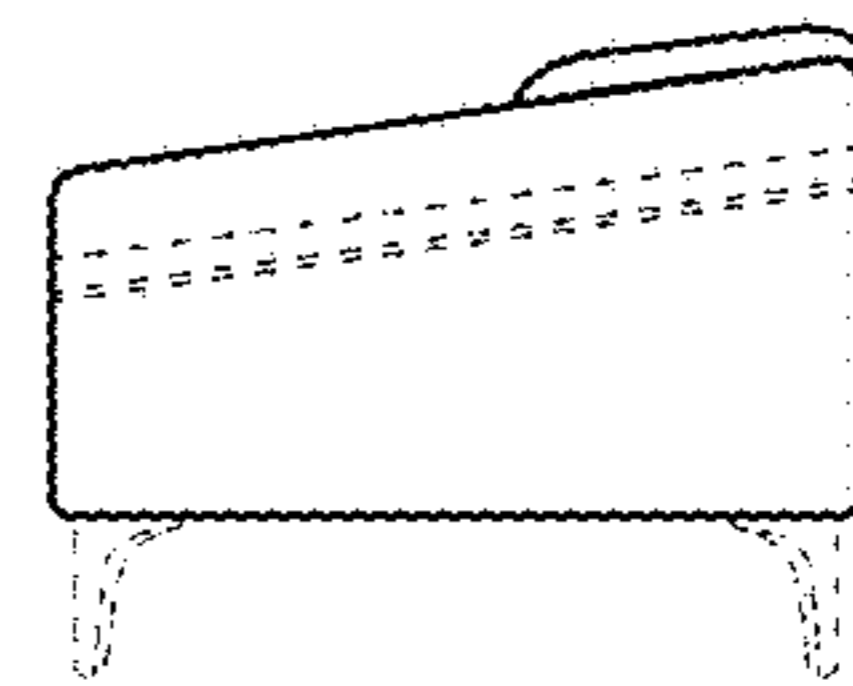


FIG. 23

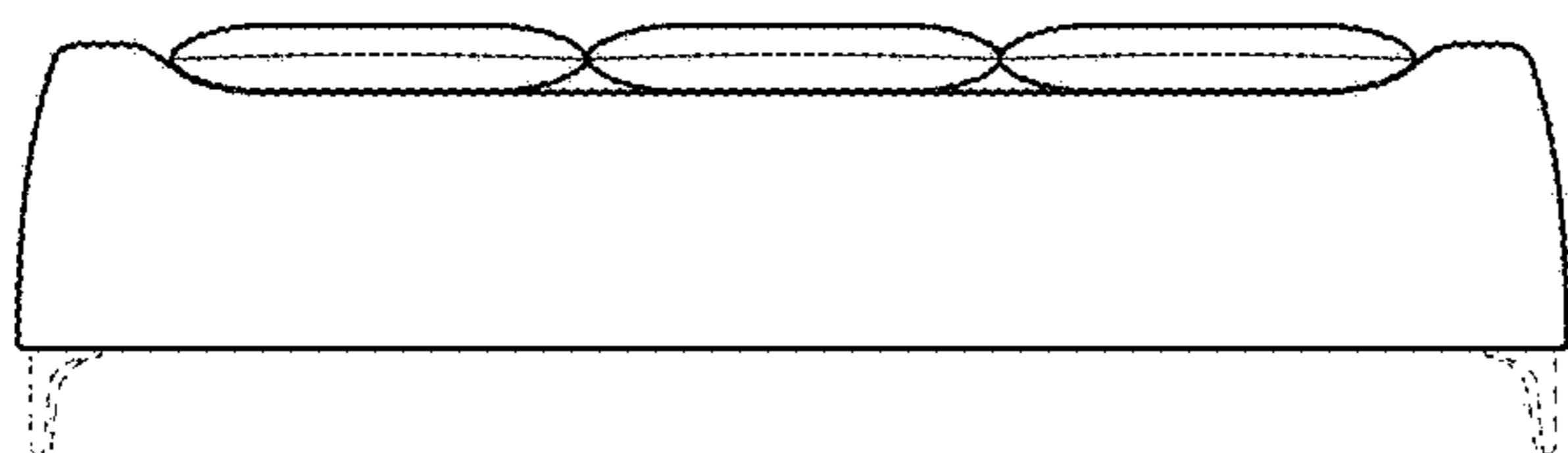


FIG. 25

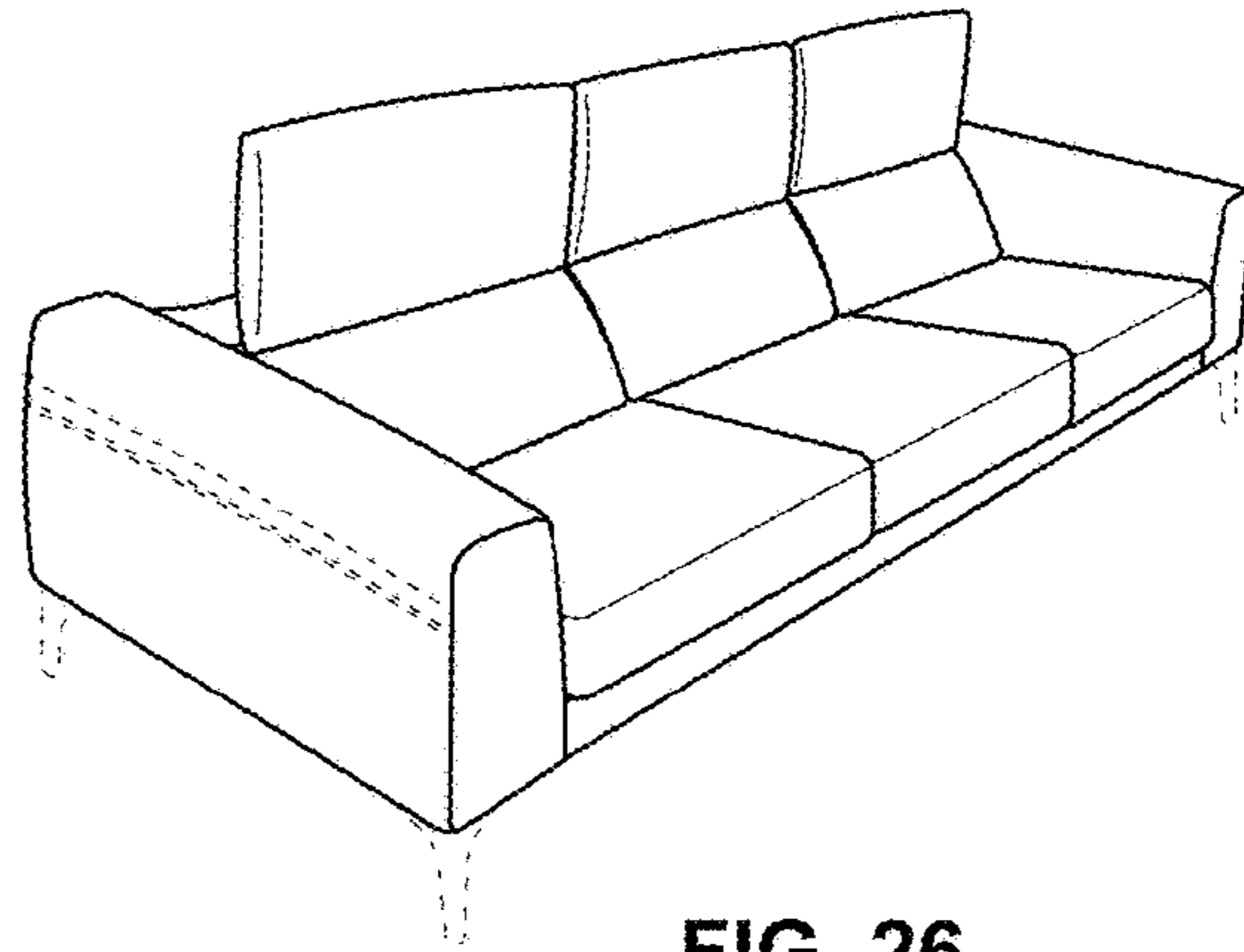


FIG. 26

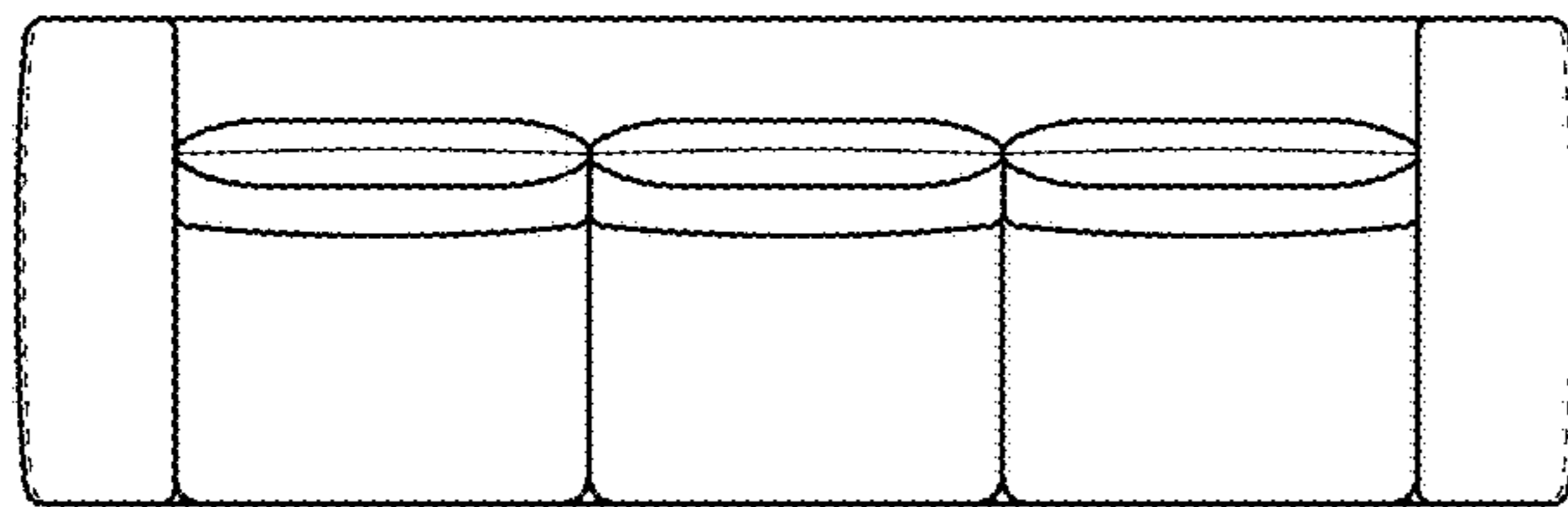


FIG. 27

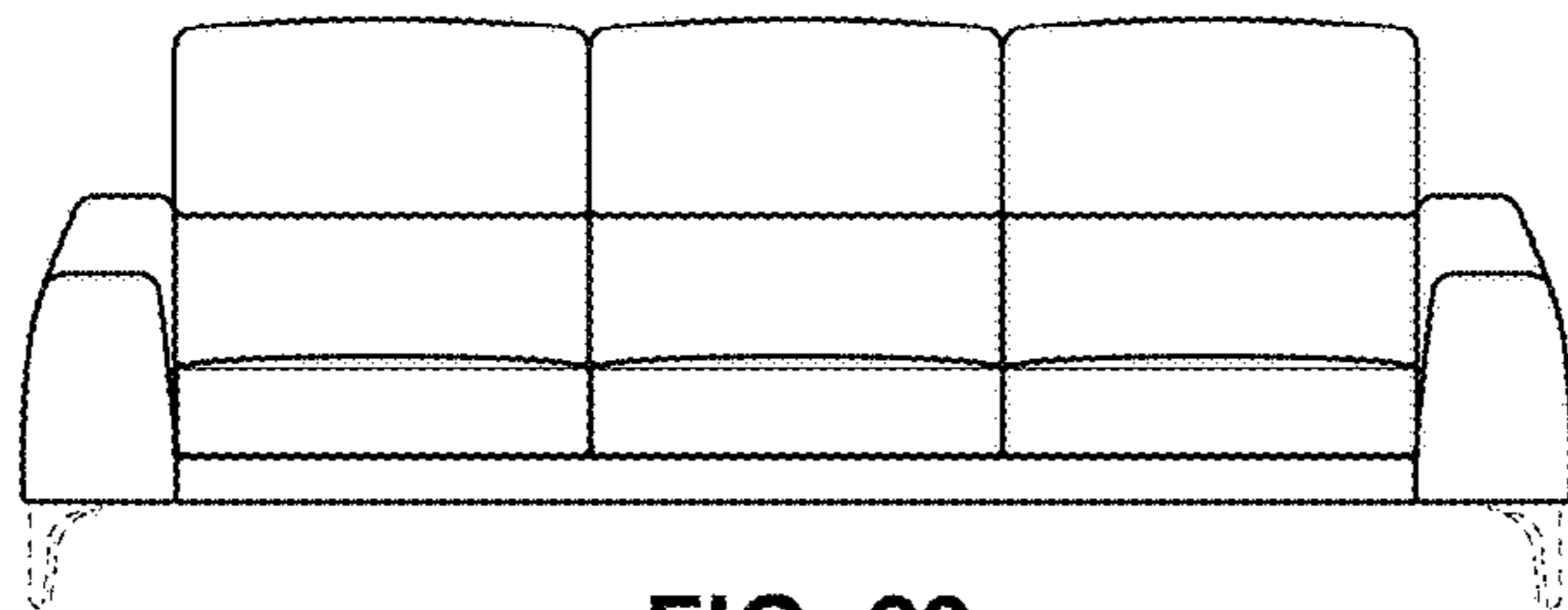


FIG. 29

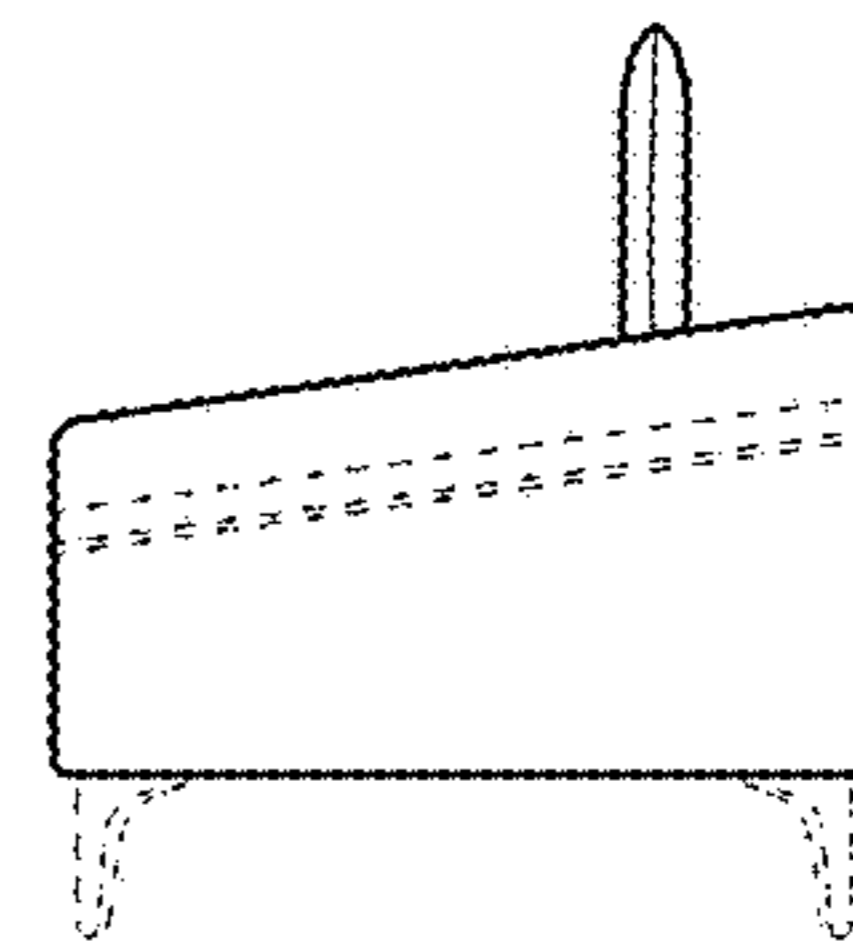


FIG. 28

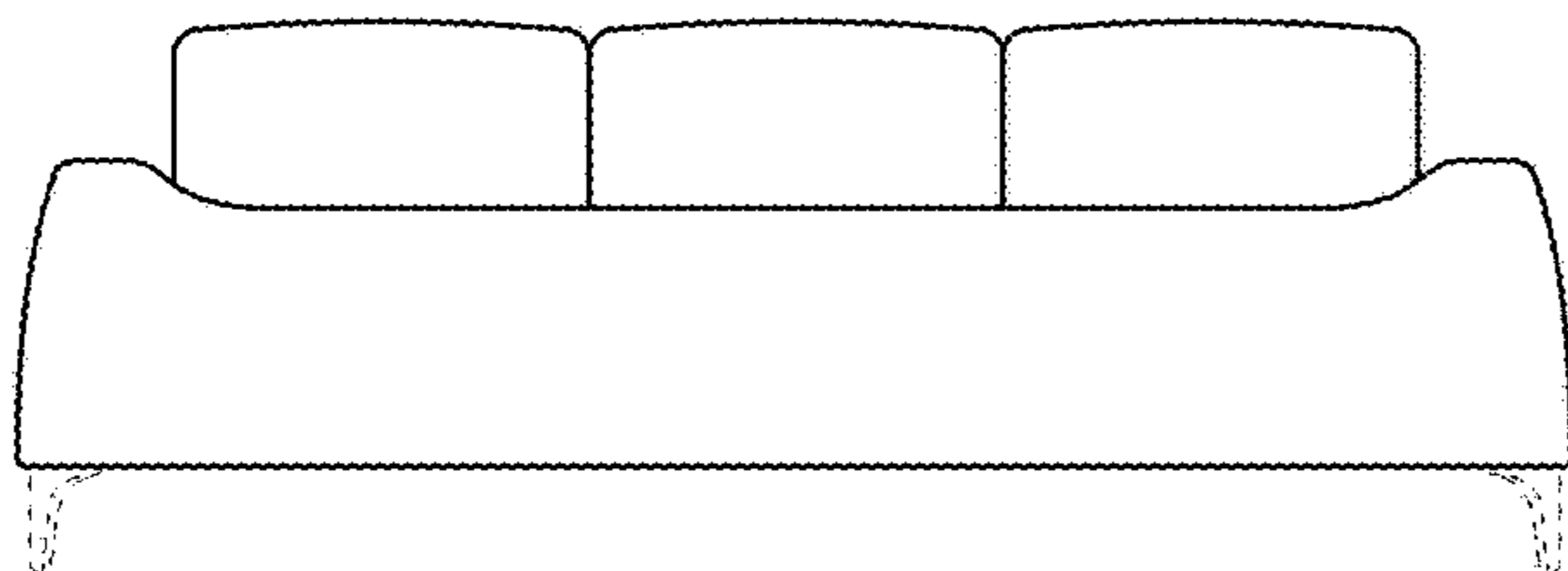


FIG. 30