

US00D866201S

(12) **United States Design Patent**  
**Ogilvie**

(10) **Patent No.:** **US D866,201 S**

(45) **Date of Patent:** **\*\* Nov. 12, 2019**

(54) **PORTABLE COLLAPSIBLE WIND SCREEN**

(71) Applicant: **James A. Ogilvie**, Vista, CA (US)

(72) Inventor: **James A. Ogilvie**, Vista, CA (US)

(\*\*) Term: **15 Years**

(21) Appl. No.: **29/635,712**

(22) Filed: **Feb. 1, 2018**

(51) **LOC (12) Cl.** ..... **06-06**

(52) **U.S. Cl.**  
USPC ..... **D6/332**

(58) **Field of Classification Search**  
USPC ..... D6/332, 383, 642, 672, 673, 713, 714;  
160/351, 377  
CPC ..... A47B 2200/01; A47B 2200/12; A47B  
2200/0071; A47B 2220/0058; A47B  
2220/13; A47B 83/001; E04F 10/04;  
E04H 1/125; E04H 15/005; E04B 2/7416;  
E04B 2/7422; E04B 2/7427; E04B  
2/7433; A47G 5/00

See application file for complete search history.

(56) **References Cited**

**U.S. PATENT DOCUMENTS**

- 1,238,646 A \* 8/1917 Dennis ..... A47G 23/03  
135/139
- 1,662,586 A \* 3/1928 Newman ..... G03B 21/58  
160/351
- 2,793,764 A \* 5/1957 Stork ..... A47F 7/24  
16/43
- 3,002,557 A \* 10/1961 Roth ..... G03B 21/58  
160/351
- 3,041,032 A \* 6/1962 Wilcox ..... G03B 21/58  
248/170
- 3,087,186 A \* 4/1963 Budd ..... A47L 1/00  
15/268
- 3,146,892 A \* 9/1964 White ..... A47F 7/24  
211/204

- 4,127,196 A \* 11/1978 Boucher ..... A47F 5/0815  
160/351
- 5,553,648 A \* 9/1996 Goharjou ..... A47G 5/00  
135/127
- D422,796 S \* 4/2000 Milligan ..... D6/332
- 6,161,320 A \* 12/2000 Peterson ..... G09F 15/0025  
160/135
- 6,870,672 B2 \* 3/2005 Stumpfl ..... G03B 21/58  
248/465
- 8,024,881 B2 \* 9/2011 Redmon ..... G03B 21/58  
40/610
- 9,051,751 B2 \* 6/2015 Ogilvie ..... E04H 15/005

(Continued)

*Primary Examiner* — Kevin K Rudzinski

*Assistant Examiner* — Kimberly Barnes

(74) *Attorney, Agent, or Firm* — Steven W. Webb

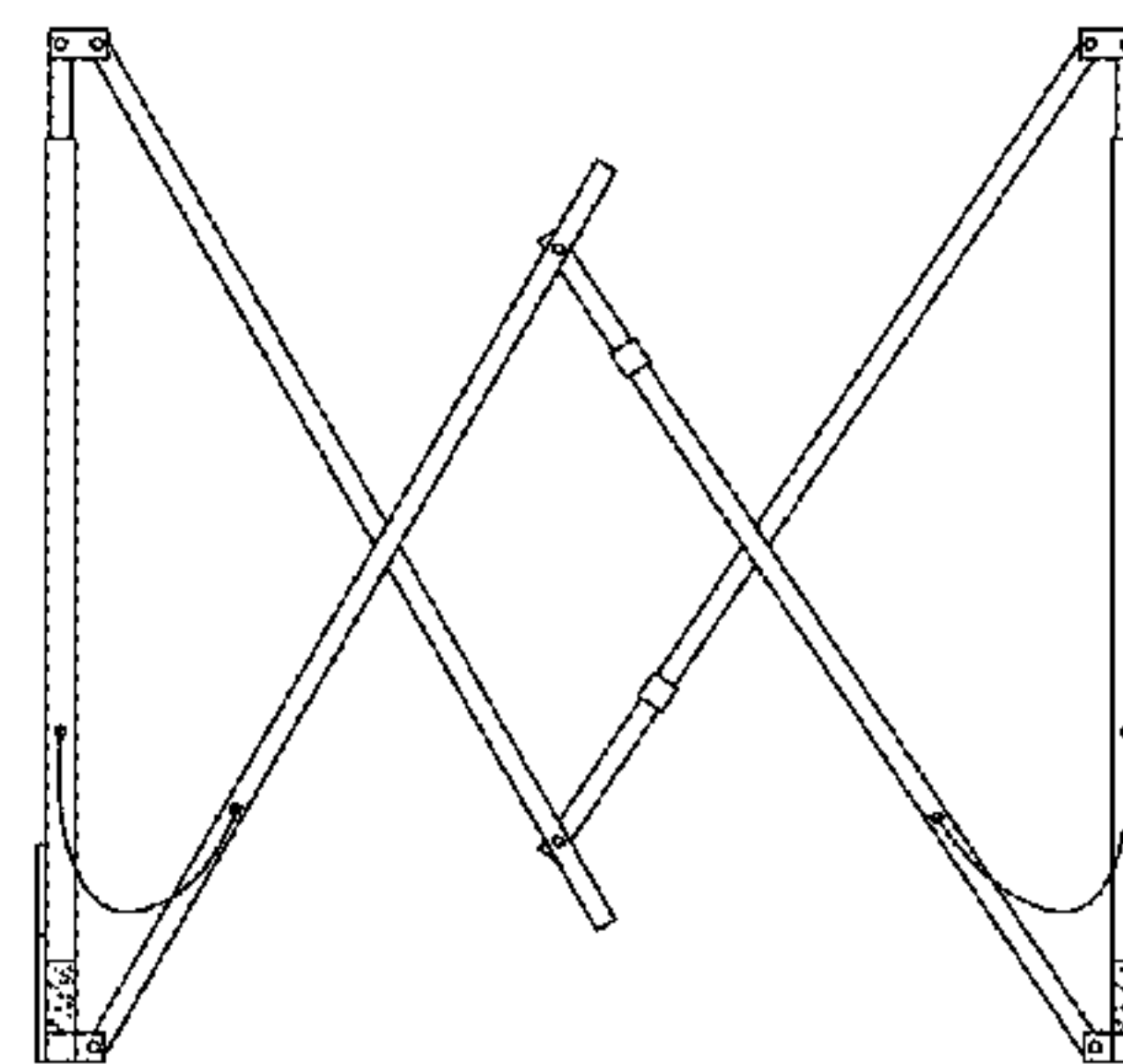
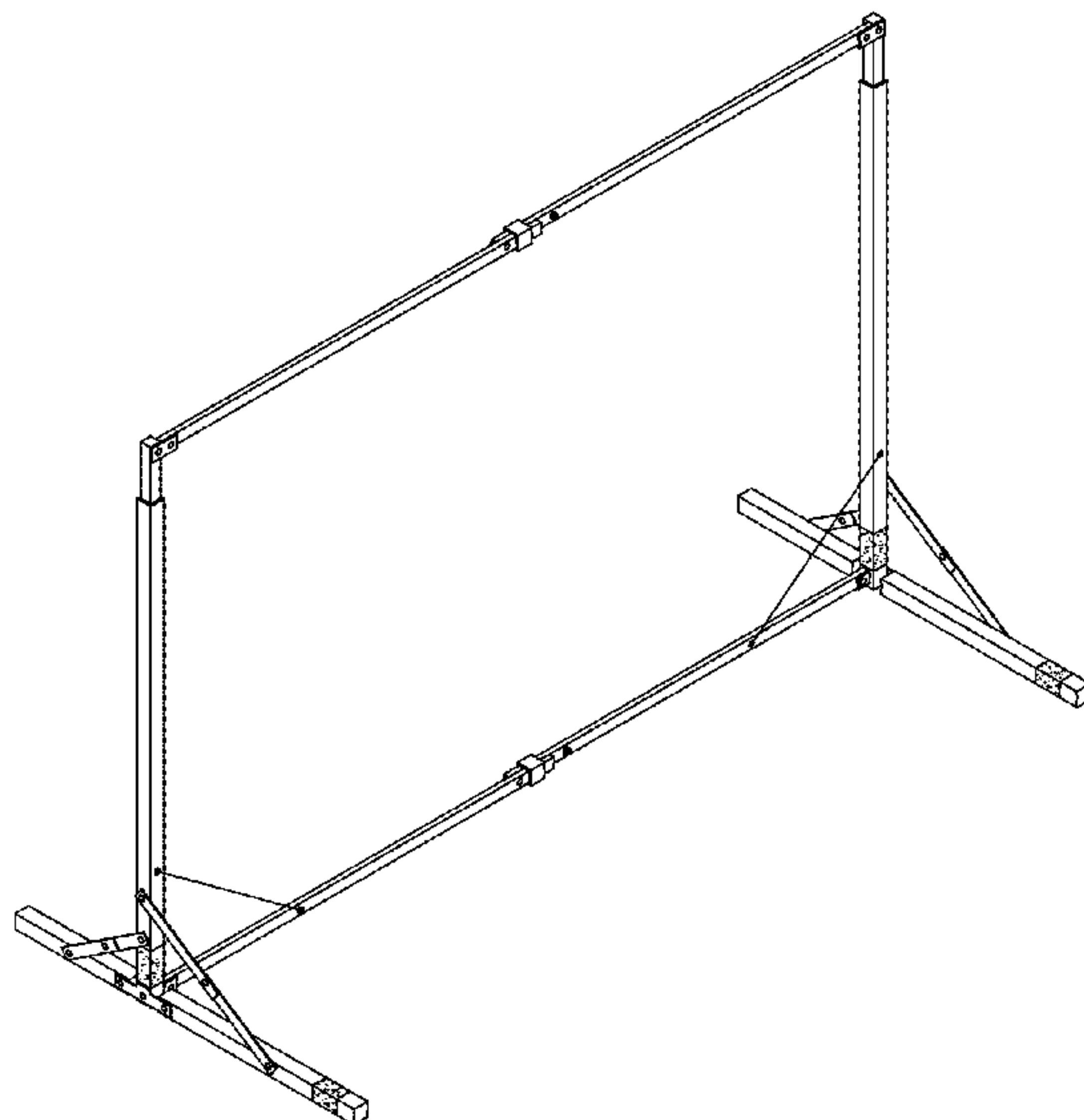
(57) **CLAIM**

I claim the ornamental design for a portable collapsible wind screen, as shown and described.

**DESCRIPTION**

FIG. 1 is a perspective view of a portable collapsible wind screen, showing my new design;  
 FIG. 2 is a front view of the portable collapsible wind screen;  
 FIG. 3 is a front view of the partially collapsed portable collapsible wind screen;  
 FIG. 4 is a front view of the fully collapsed portable collapsible wind screen;  
 FIG. 5 is a side view of the portable collapsible wind screen;  
 FIG. 6 is side view of the partially collapsed portable collapsible wind screen;  
 FIG. 7 is a side view of the fully collapsed portable collapsible wind screen;  
 FIG. 8 is an enlarged detail of the circumscribed area of FIG. 2, shown at a perspective angle; and,  
 FIG. 9 is another enlarged detail thereof.

**1 Claim, 4 Drawing Sheets**



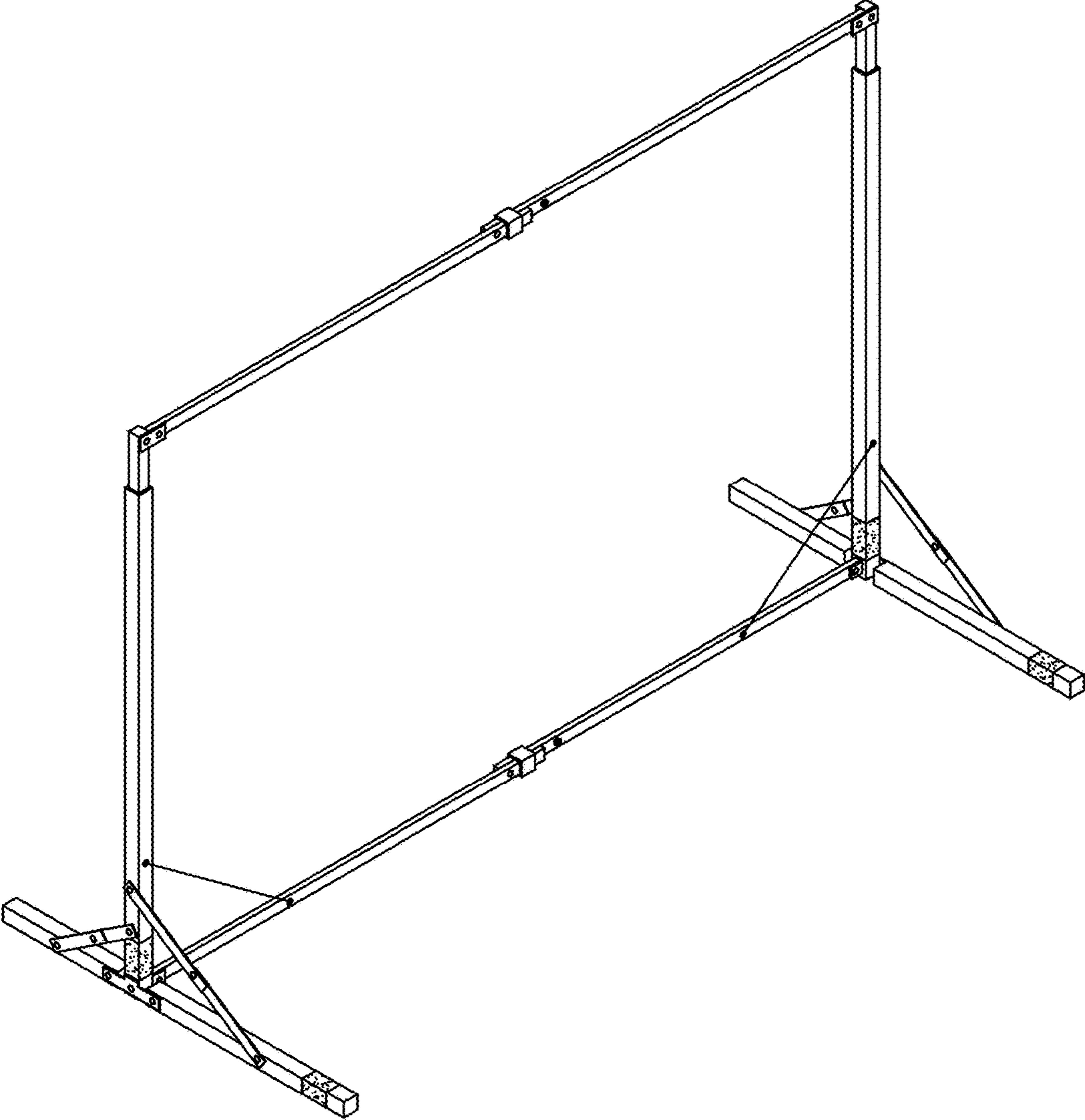
(56)

**References Cited**

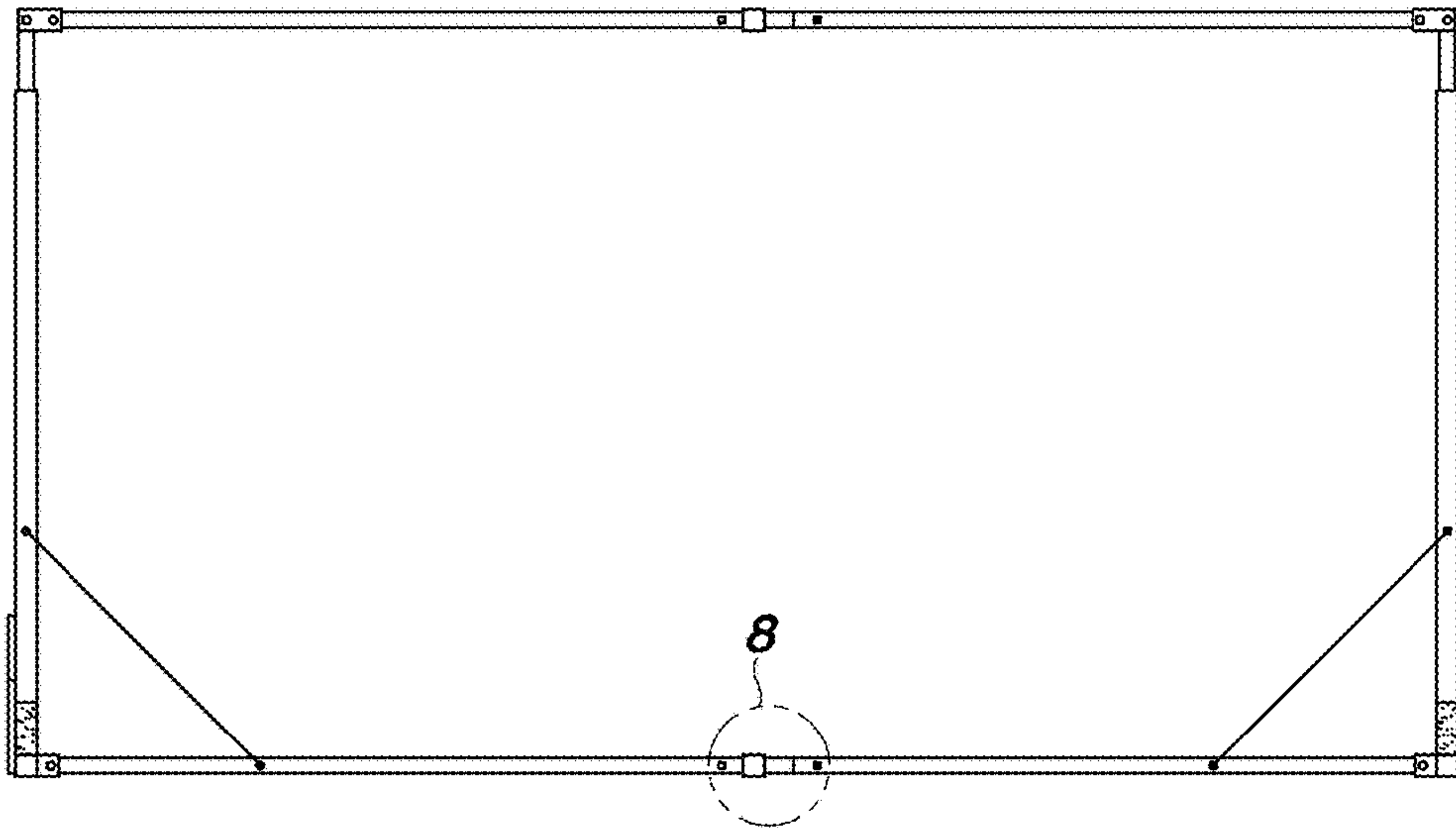
U.S. PATENT DOCUMENTS

9,683,387	B2 *	6/2017	Lovley, II	.....	E04H 15/50
2008/0178543	A1 *	7/2008	Maas	.....	E04B 2/7425
					52/234
2009/0159363	A1 *	6/2009	Weber	.....	A47B 83/04
					181/290
2015/0008201	A1 *	1/2015	Qiang	.....	A47F 7/24
					211/85.3

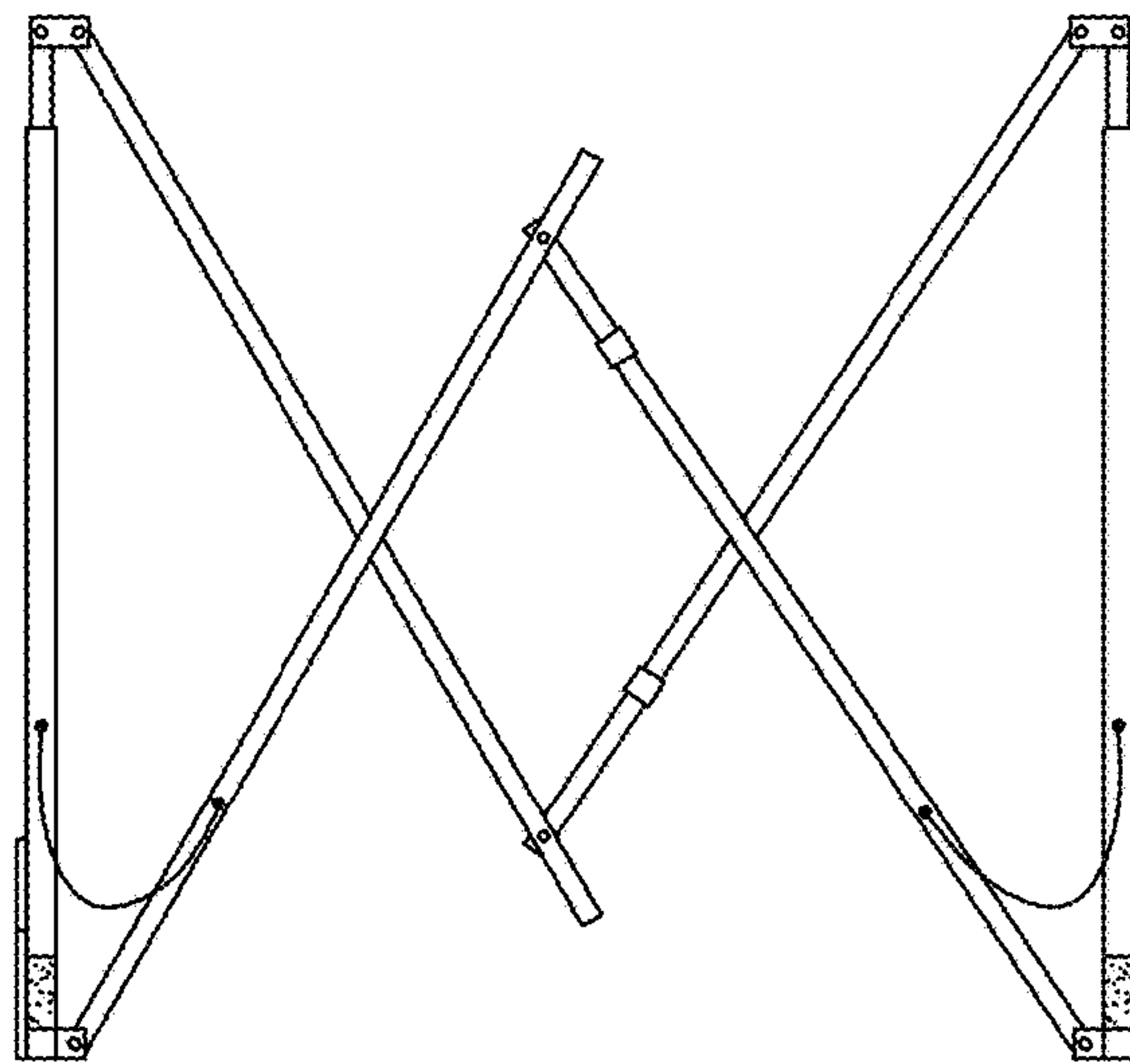
\* cited by examiner



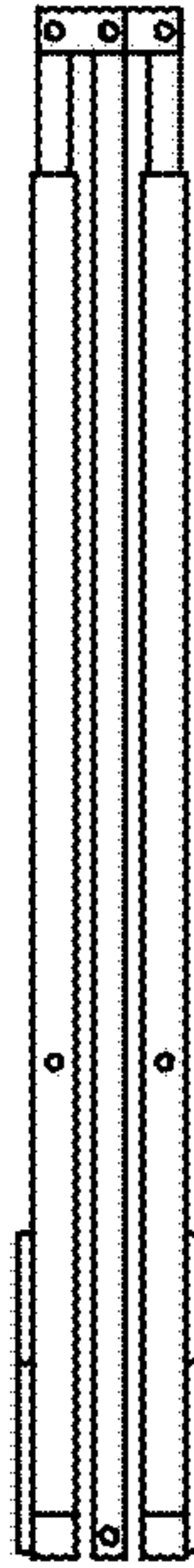
**FIG. 1**



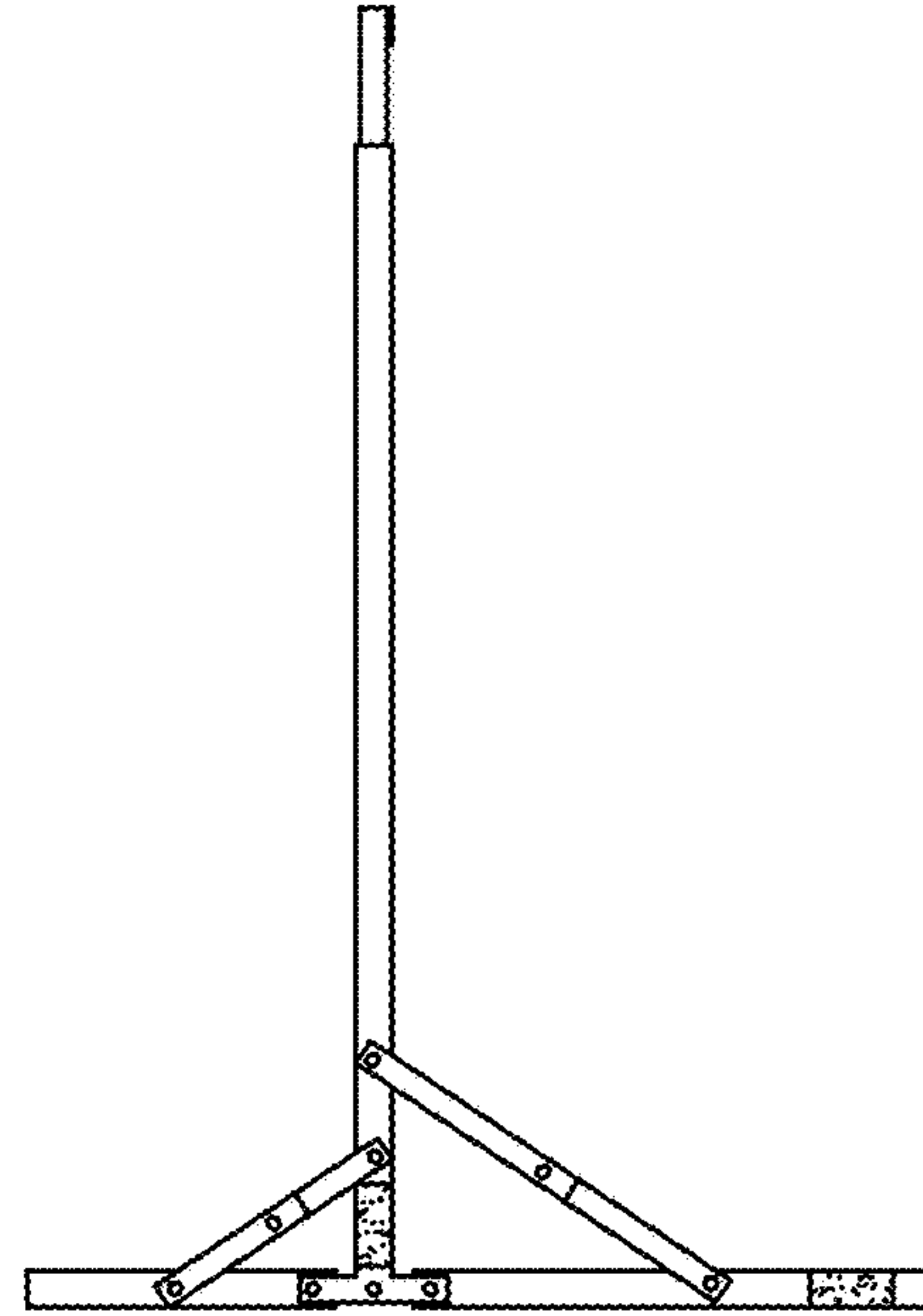
**FIG. 2**



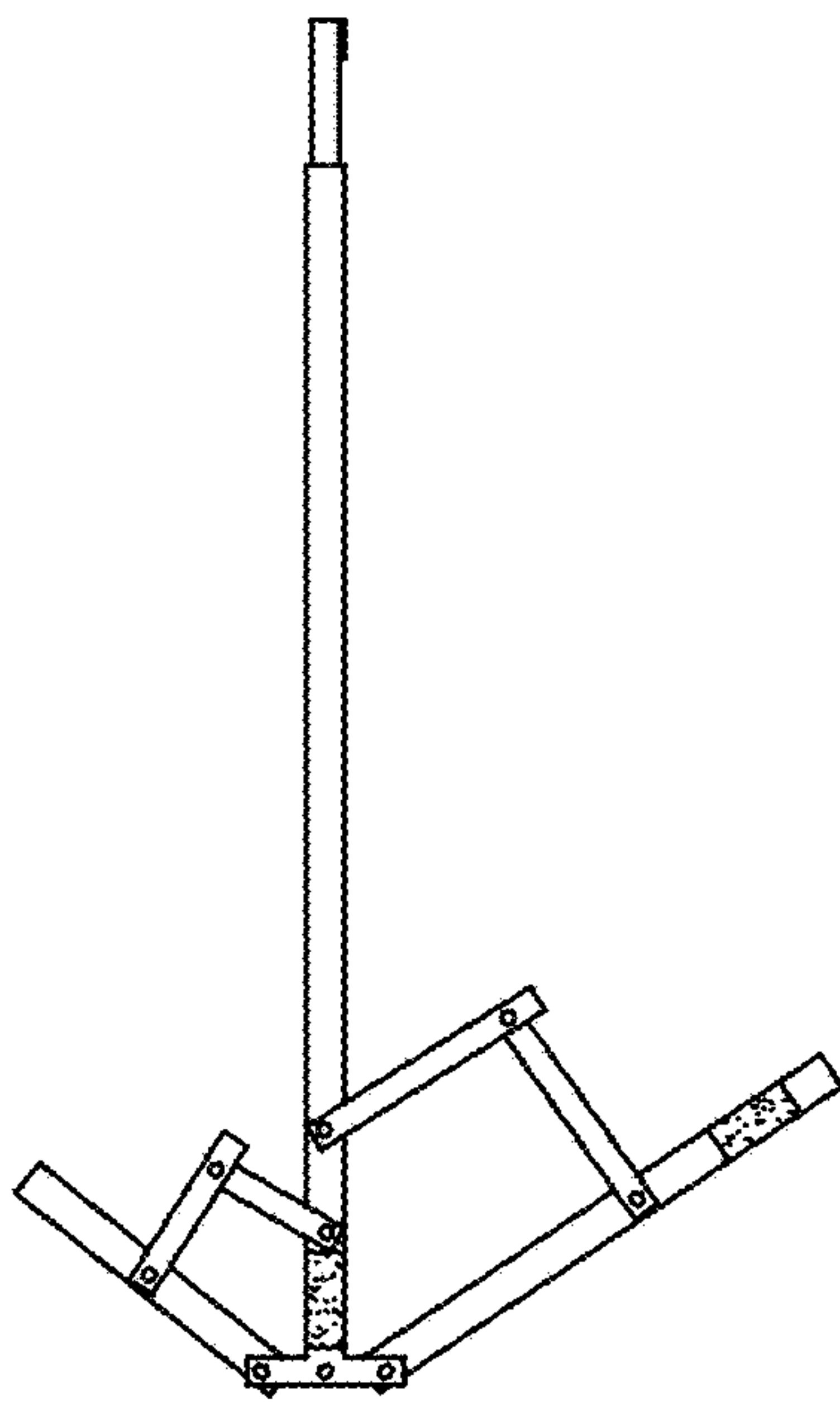
**FIG. 3**



**FIG. 4**



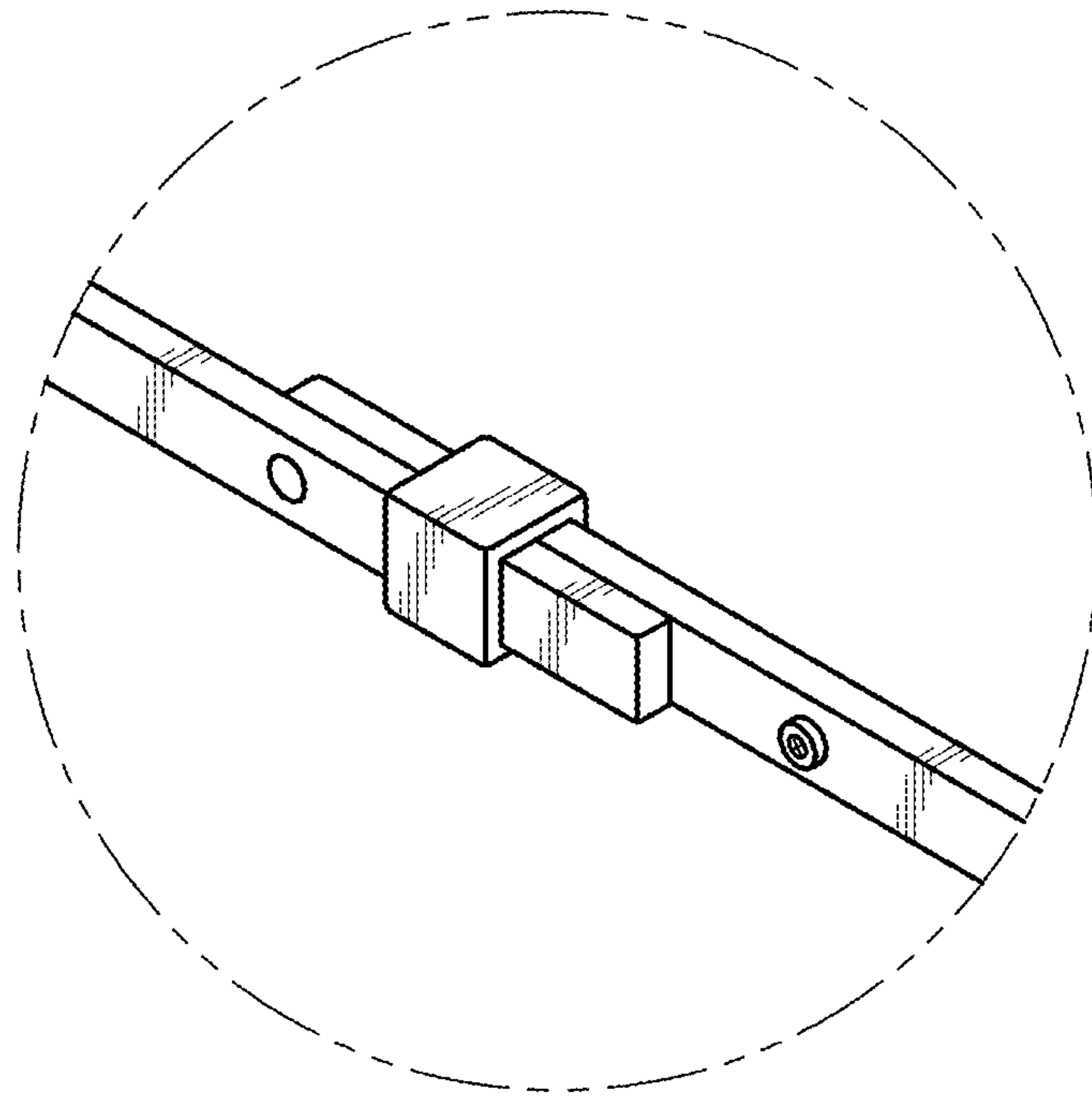
**FIG. 5**



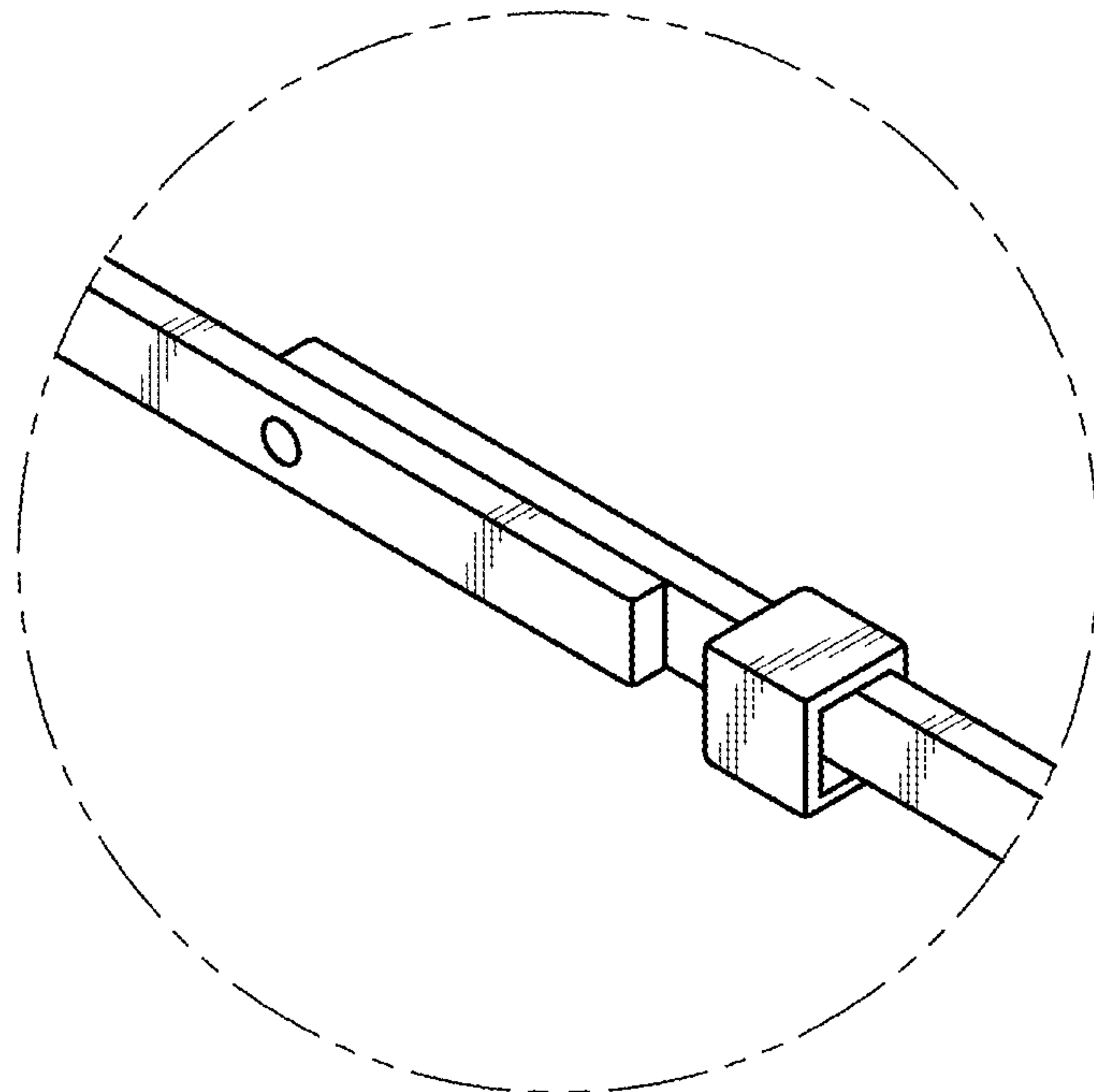
**FIG. 6**



**FIG. 7**



**FIG. 8**



**FIG. 9**