



US00D866190S

(12) **United States Design Patent**  
**Hwang**

(10) **Patent No.:** **US D866,190 S**

(45) **Date of Patent:** **\*\* Nov. 12, 2019**

(54) **COSMETIC BRUSH**

(71) Applicant: **F.S.KOREA INDUSTRIES INC.**,  
Seoul (KR)

(72) Inventor: **Jae Kwang Hwang**, Seoul (KR)

(73) Assignee: **F.S.KOREA INDUSTRIES INC.**, Seoul  
(KR)

(\*\*) Term: **15 Years**

(21) Appl. No.: **29/650,204**

(22) Filed: **Jun. 5, 2018**

(51) **LOC (12) Cl.** ..... **04-02**

(52) **U.S. Cl.**  
USPC ..... **D4/127; D4/135**

(58) **Field of Classification Search**  
USPC ..... D4/130, 132, 133, 134, 135, 138, 199,  
D4/127; D28/7  
CPC .... A46B 5/02; A46B 9/021; A46B 2200/1046  
See application file for complete search history.

(56) **References Cited**

**U.S. PATENT DOCUMENTS**

D630,437 S \* 1/2011 Carey ..... D4/116  
D801,058 S \* 10/2017 Xavier ..... D4/135

D817,546 S \* 5/2018 Barozzi ..... D28/7  
D831,971 S \* 10/2018 Porcaro ..... D4/135  
D845,646 S \* 4/2019 Nicoline ..... D4/138

\* cited by examiner

*Primary Examiner* — Karen E Eldridge Powers

(74) *Attorney, Agent, or Firm* — Heedong Chae; Lucem,  
PC

(57) **CLAIM**

The ornamental design for a cosmetic brush, as shown and described.

**DESCRIPTION**

FIG. 1 is a front perspective view of the cosmetic brush showing my new design;  
FIG. 2 is a front elevational view thereof;  
FIG. 3 is a rear elevational view thereof;  
FIG. 4 is a left side view thereof;  
FIG. 5 is a right side view thereof;  
FIG. 6 is a top plan view thereof; and,  
FIG. 7 is a bottom plan view thereof.  
The broken lines depict portions of the cosmetic brush that form no part of the claimed design.

**1 Claim, 6 Drawing Sheets**

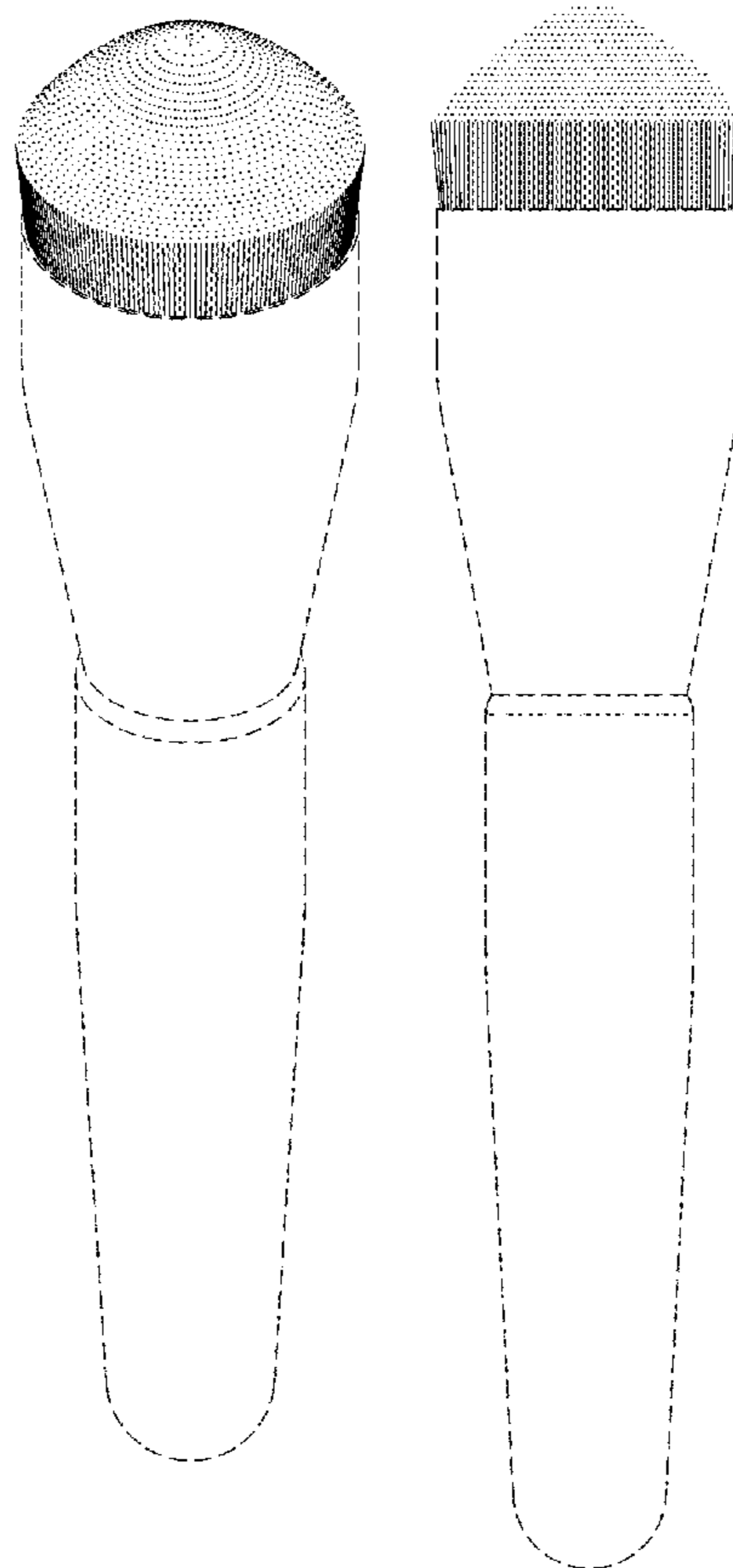


FIG. 1

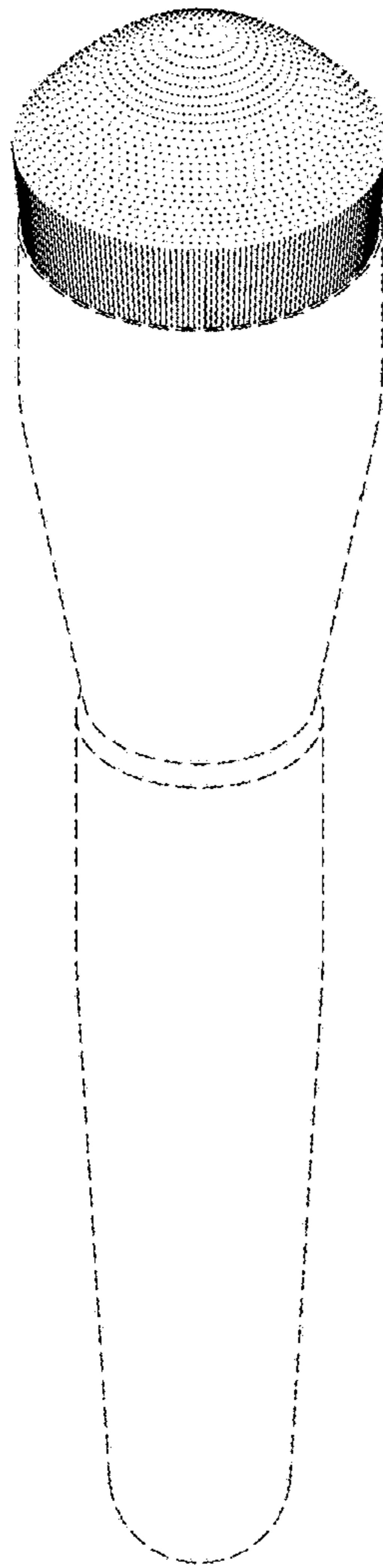


FIG. 2

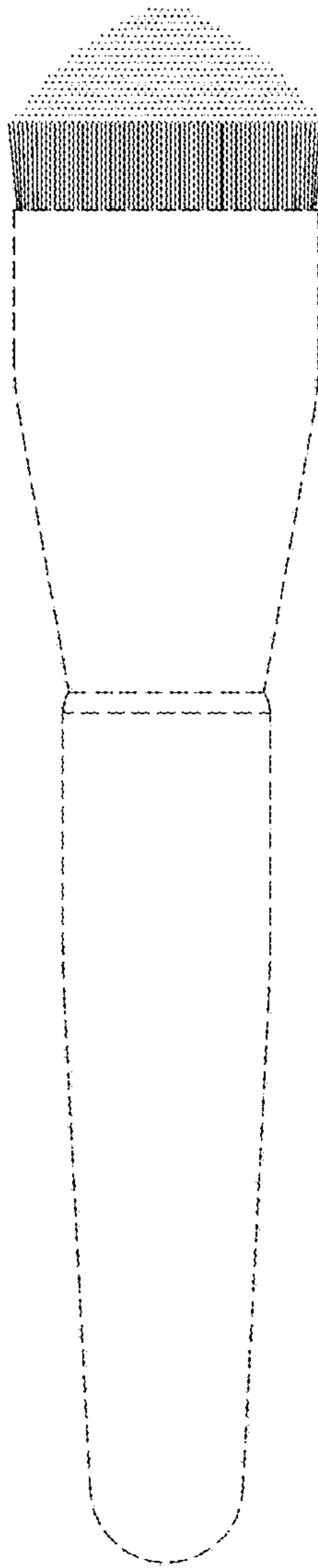


FIG. 3

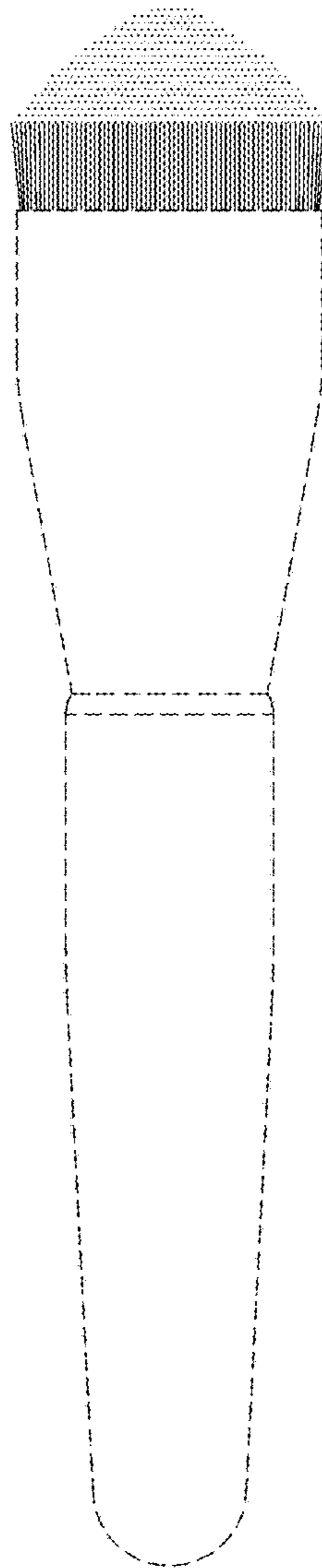


FIG. 4

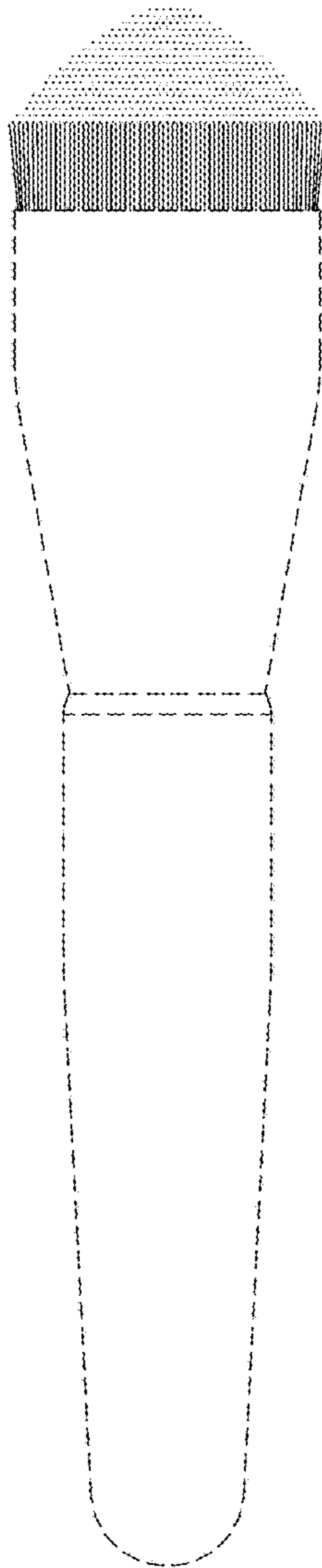


FIG. 5

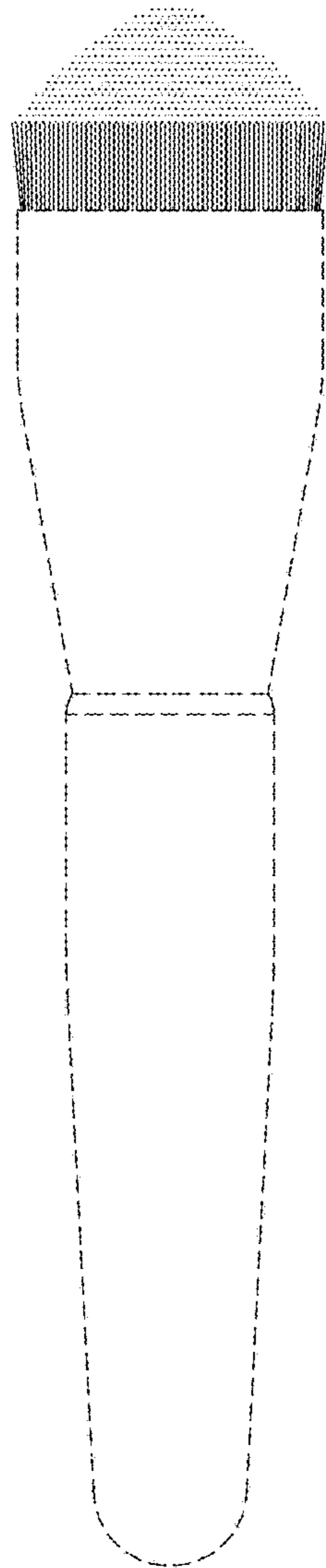


FIG. 6

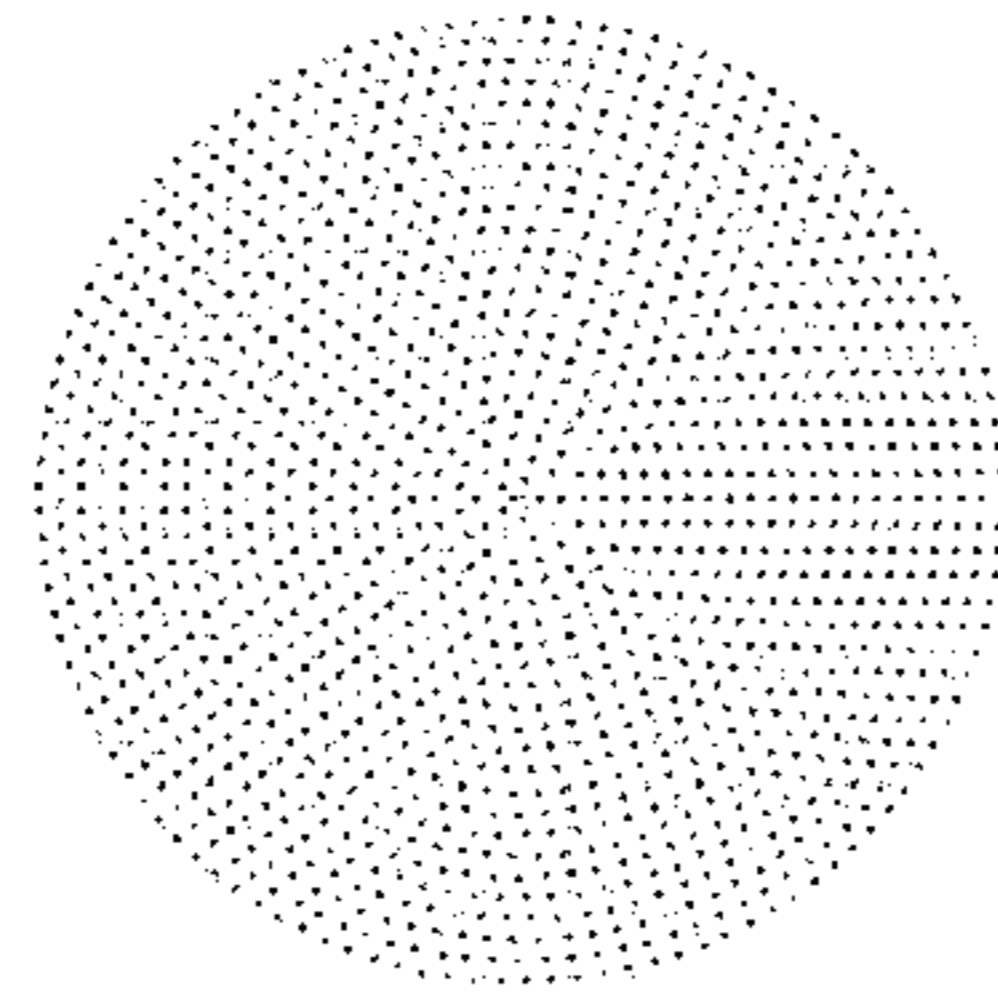


FIG. 7

