



US00D866189S

(12) **United States Design Patent** (10) **Patent No.:** **US D866,189 S**  
**Baxter et al.** (45) **Date of Patent:** **\*\* Nov. 12, 2019**

(54) **TURBO SCRUBBER**

(71) Applicant: **BLACK & DECKER INC.**, New Britain, CT (US)

(72) Inventors: **Mark Baxter**, Tyne & Wear (GB); **Stephen Houghton**, Newcastle upon Tyne (GB); **Graeme Crawley**, Northumberland (GB); **Martin Harnett**, Stockton on Tees (GB); **Robert P. Welsh**, Phoenix, MD (US); **Lea Kobeli**, San Francisco, CA (US); **Edward Wilson Licitra**, San Francisco, CA (US); **Jonathan Patrick Summers**, South San Francisco, CA (US); **Germain Verbrackel**, San Francisco, CA (US)

(73) Assignee: **Black & Decker, Inc.**, New Britain, CT (US)

(\*\*) Term: **15 Years**

(21) Appl. No.: **29/613,347**

(22) Filed: **Aug. 9, 2017**

(51) **LOC (12) Cl.** ..... **04-02**

(52) **U.S. Cl.**  
USPC ..... **D4/102**

(58) **Field of Classification Search**  
USPC ..... D32/35, 52; D8/10; D4/100, 137, 138; D24/211  
CPC ..... A46B 5/02; A47L 13/44; B05C 1/06  
See application file for complete search history.

(56) **References Cited**

U.S. PATENT DOCUMENTS

D317,968 S \* 7/1991 Tsai ..... D23/226  
D331,499 S \* 12/1992 Tsai ..... D4/115  
D359,547 S \* 6/1995 Wang ..... D23/213  
D425,603 S \* 5/2000 Guo ..... D23/213

D451,288 S \* 12/2001 Bean ..... D4/121  
D498,288 S \* 11/2004 Chen ..... D23/223  
6,984,901 B2 \* 1/2006 Wong ..... A46B 13/008  
15/320  
D543,362 S \* 5/2007 Hall ..... D4/102  
D588,816 S \* 3/2009 Hughes, IV ..... D4/121  
D600,022 S \* 9/2009 Busschaert ..... D4/102  
7,937,792 B2 \* 5/2011 Munn ..... A46B 13/001  
15/22.1

(Continued)

*Primary Examiner* — Michelle E. Wilson  
(74) *Attorney, Agent, or Firm* — John Yun

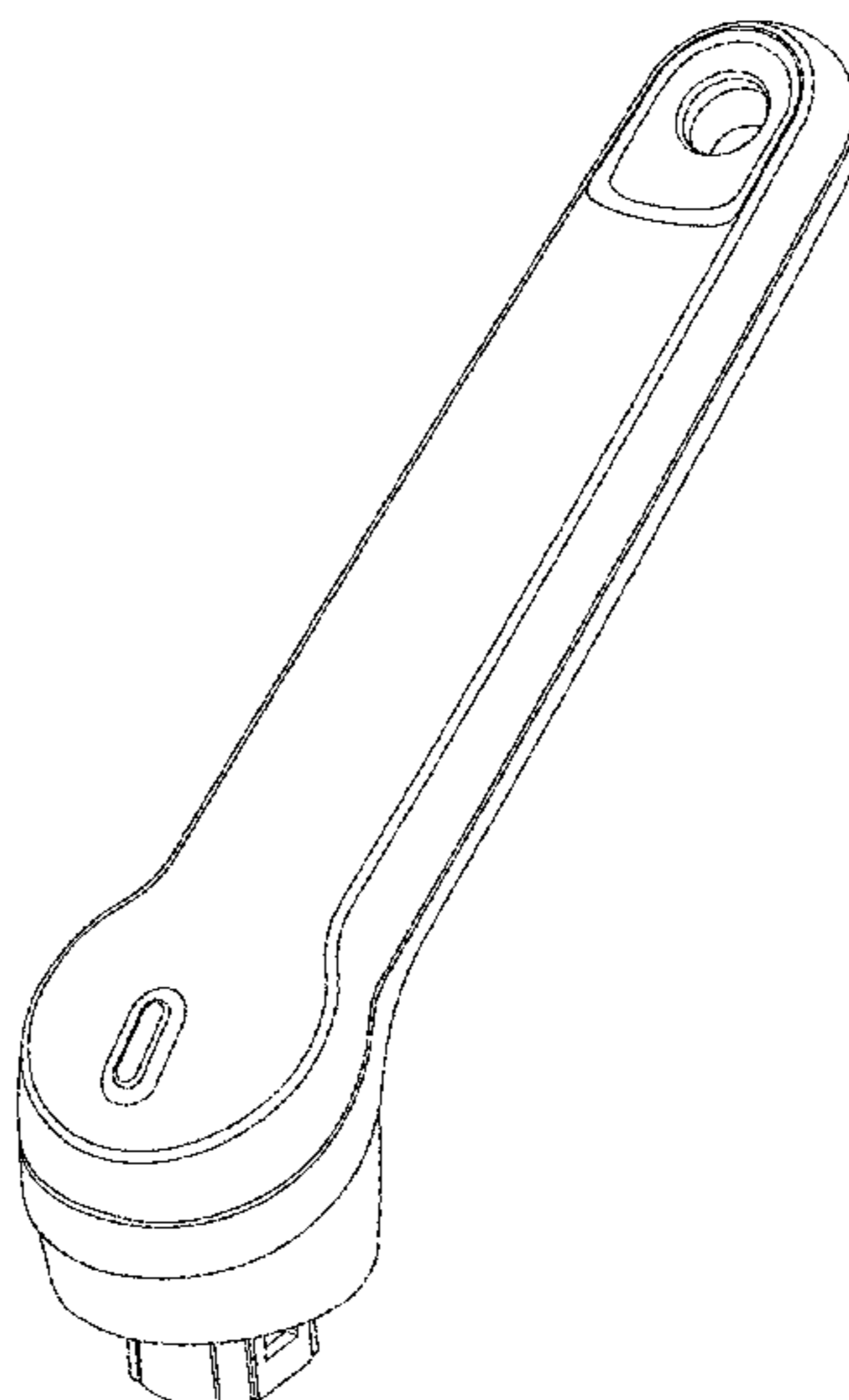
(57) **CLAIM**

The ornamental design for the turbo scrubber, as shown and described.

**DESCRIPTION**

FIG. 1 is a perspective view of the turbo scrubber;  
FIG. 2 is a top view thereof;  
FIG. 3 is a bottom view thereof;  
FIG. 4 is a right side view thereof;  
FIG. 5 is a left side view thereof;  
FIG. 6 is a rear view thereof;  
FIG. 7 is a front view thereof.  
FIG. 8 is a perspective view of the charging stand;  
FIG. 9 is a front view thereof;  
FIG. 10 is a rear view thereof;  
FIG. 11 is a right side view thereof;  
FIG. 12 is a left side view thereof;  
FIG. 13 is a top view thereof;  
FIG. 14 is a bottom view thereof.  
FIG. 15 is a perspective view of the turbo scrubber on the charging stand;  
FIG. 16 is a front view thereof;  
FIG. 17 is a rear view thereof;  
FIG. 18 is a right side view thereof;  
FIG. 19 is a left side view thereof;  
FIG. 20 is a top view thereof; and,  
FIG. 21 is a bottom view thereof.

**1 Claim, 21 Drawing Sheets**



(56)

**References Cited**

U.S. PATENT DOCUMENTS

D641,830 S \* 7/2011 Alexander ..... D23/213  
D658,384 S \* 5/2012 Pender ..... D4/102  
D703,825 S \* 4/2014 Barrett ..... D24/200  
8,801,861 B2 \* 8/2014 Cobabe ..... A46B 13/008  
134/6  
D765,222 S \* 8/2016 Norris, Jr. .... D23/213  
D800,251 S \* 10/2017 Feuerstein ..... D23/223  
D825,190 S \* 8/2018 Hu ..... D4/102  
D836,918 S \* 1/2019 Exley ..... D4/127  
2005/0144744 A1 \* 7/2005 Thiess ..... A46B 5/0075  
15/22.1

\* cited by examiner

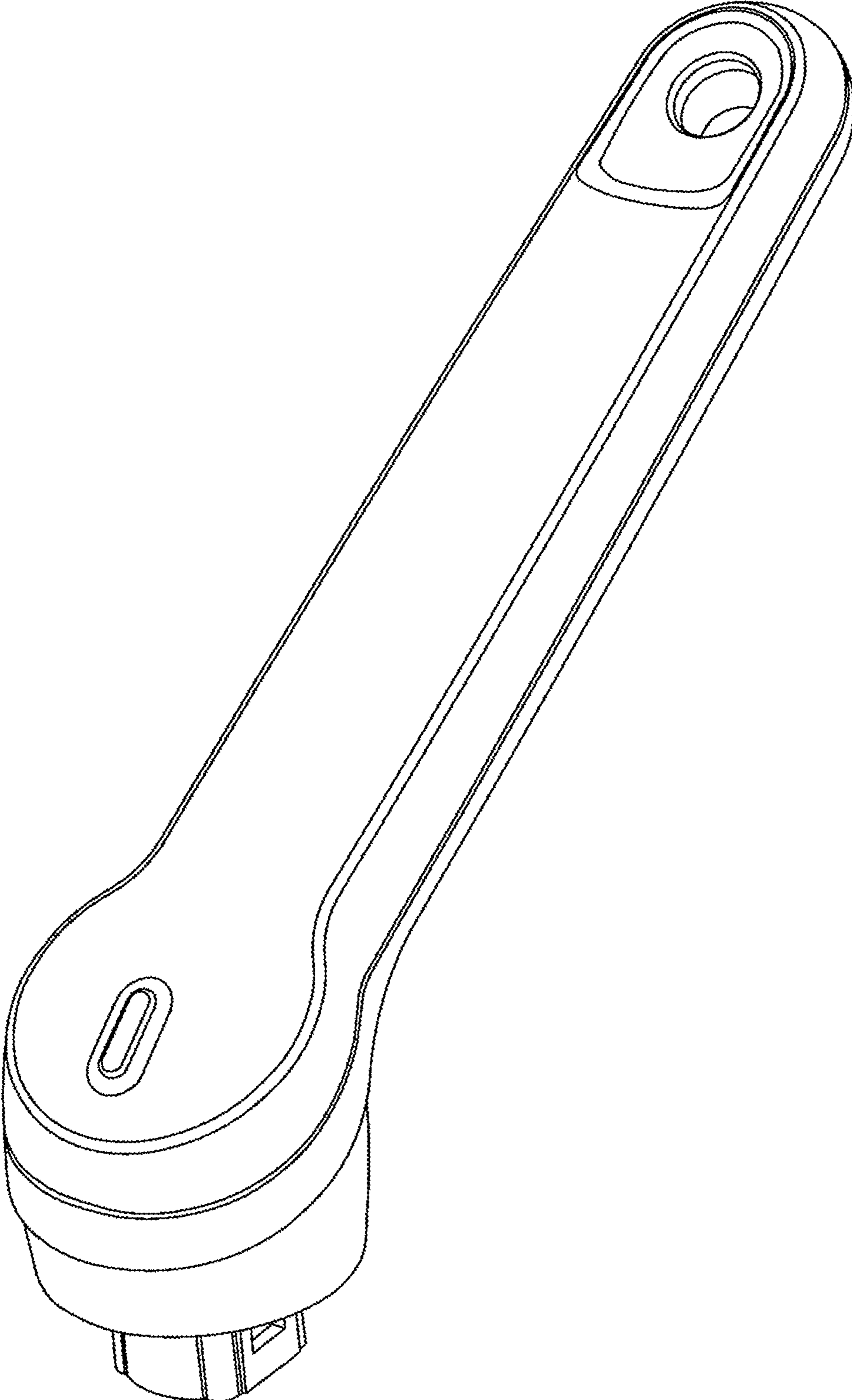


FIG.1

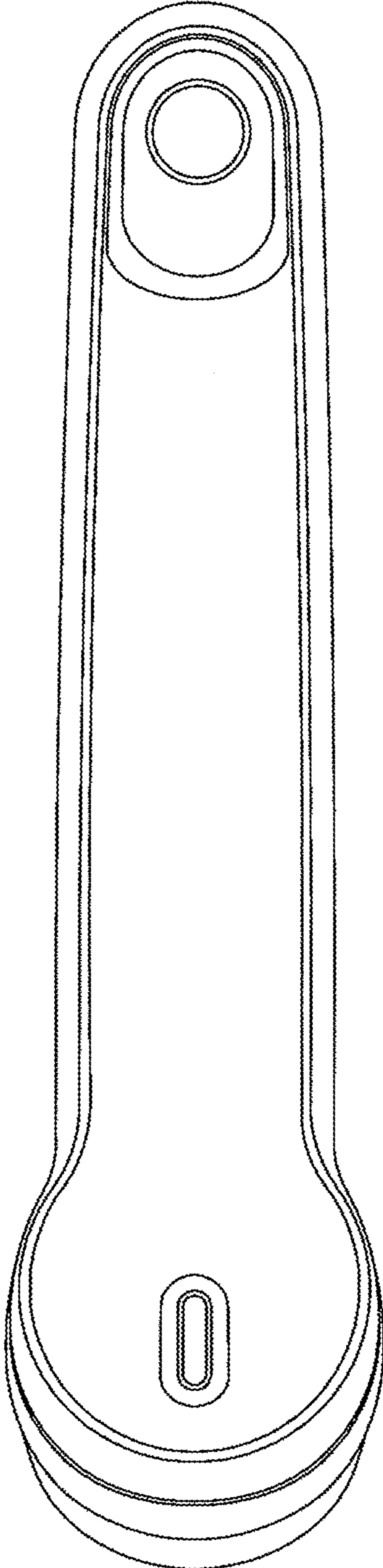


FIG.2

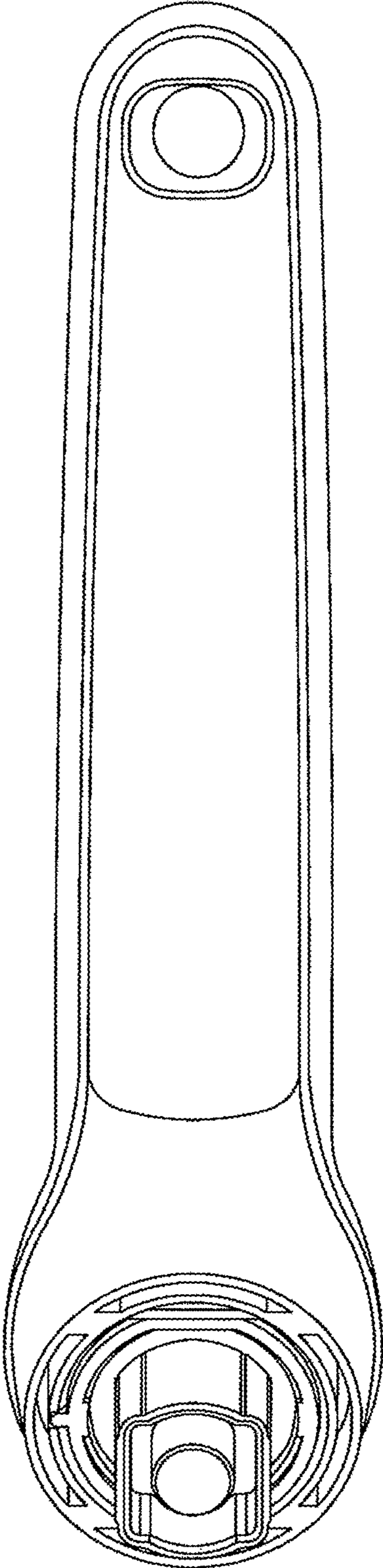


FIG.3

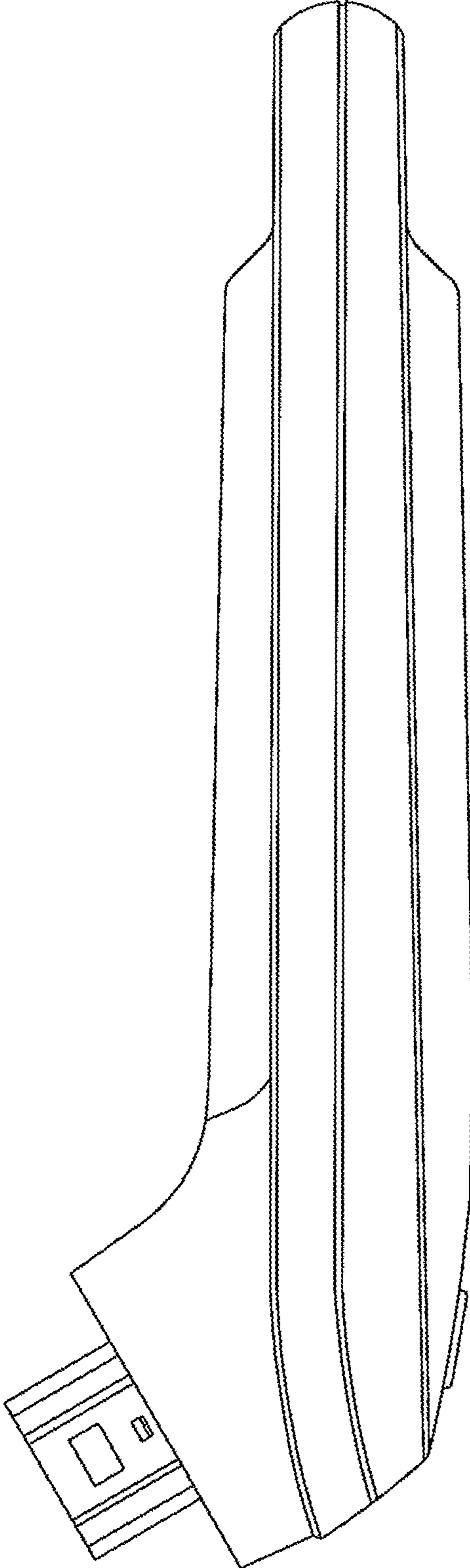


FIG. 4

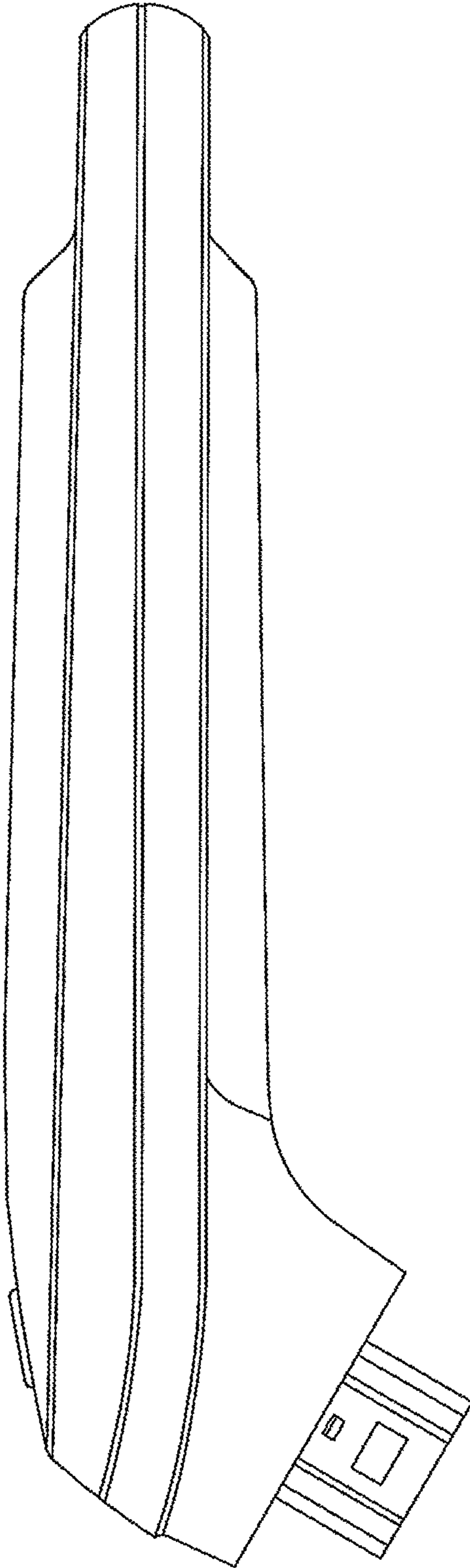


FIG. 5

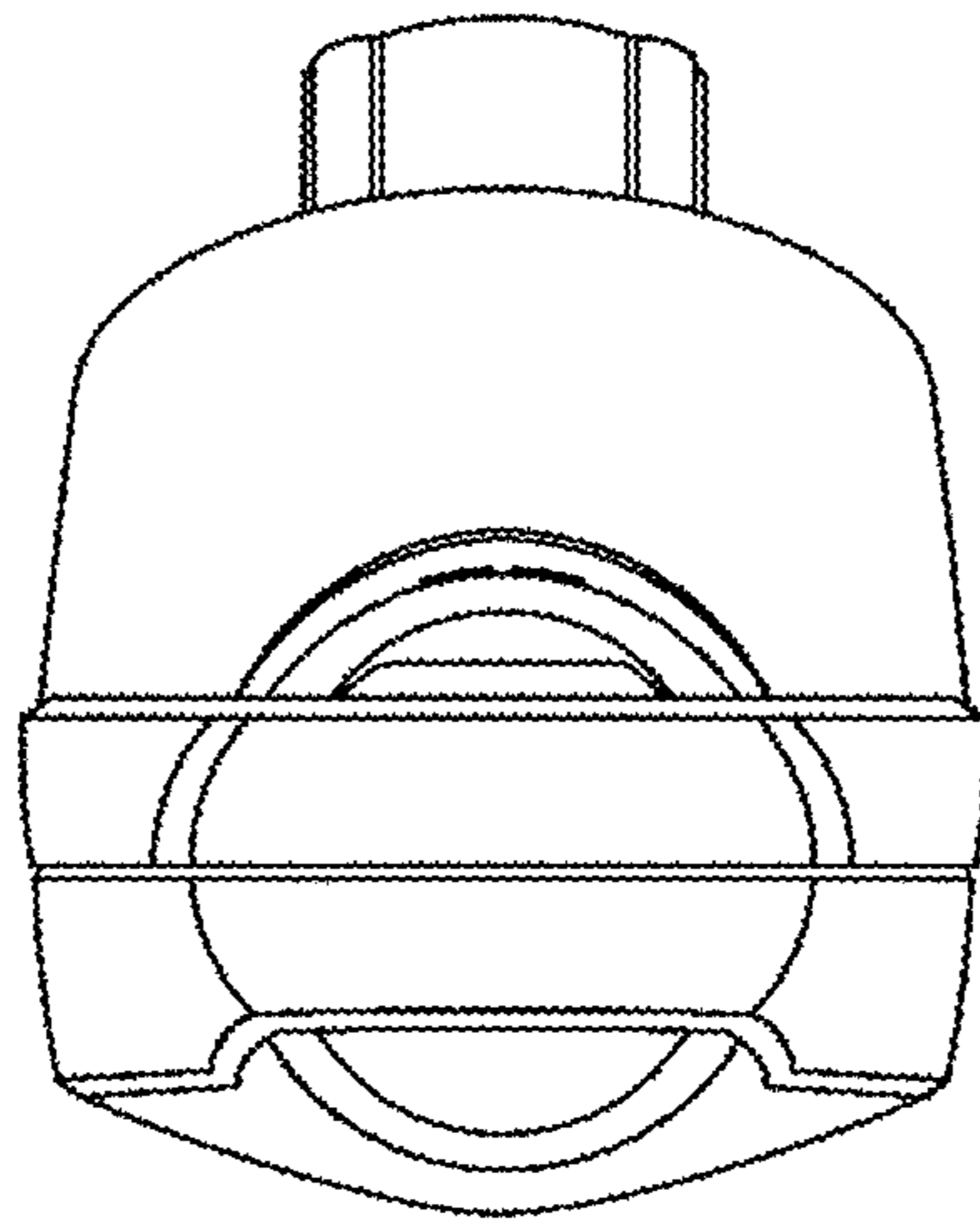


FIG.6



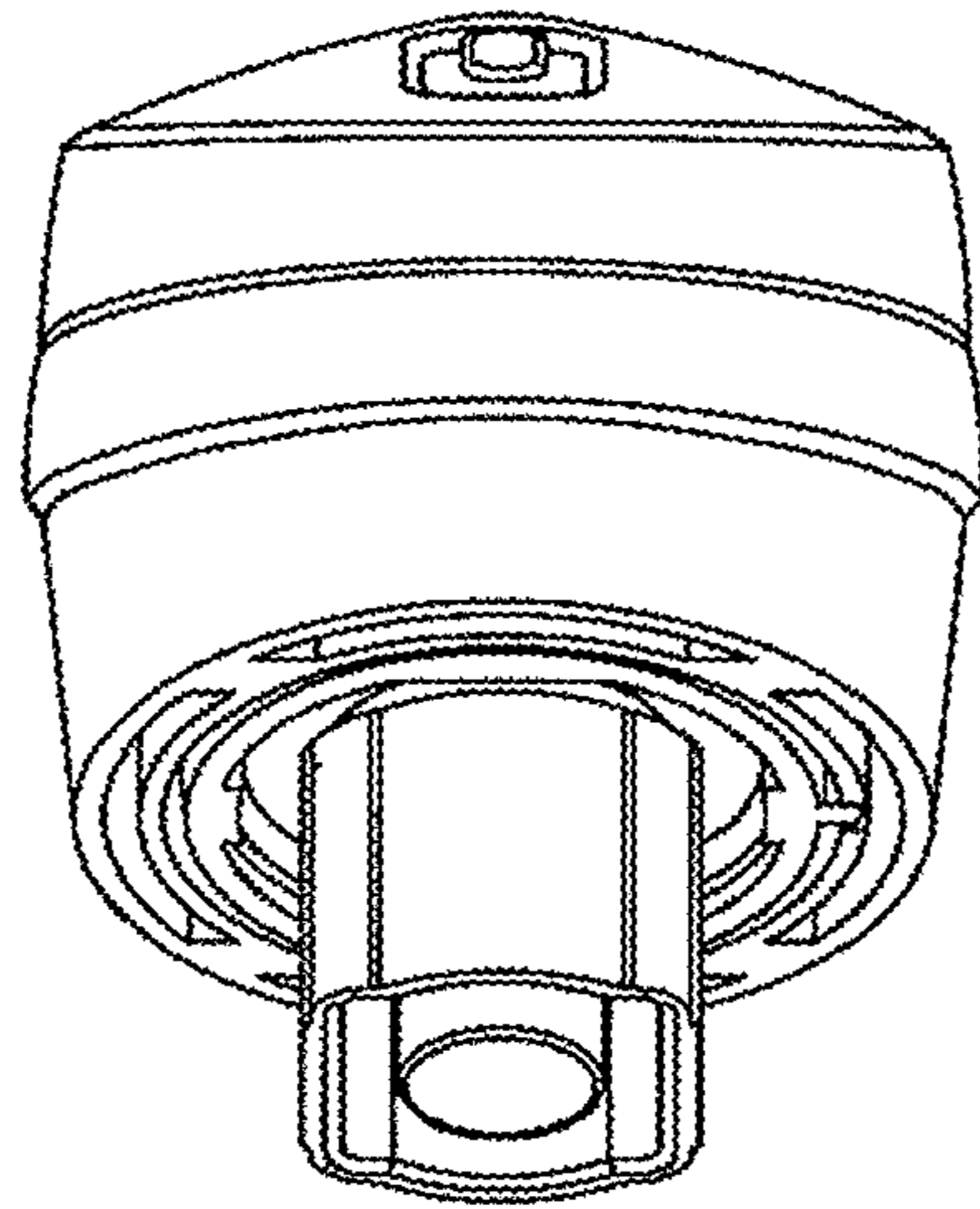


FIG. 7

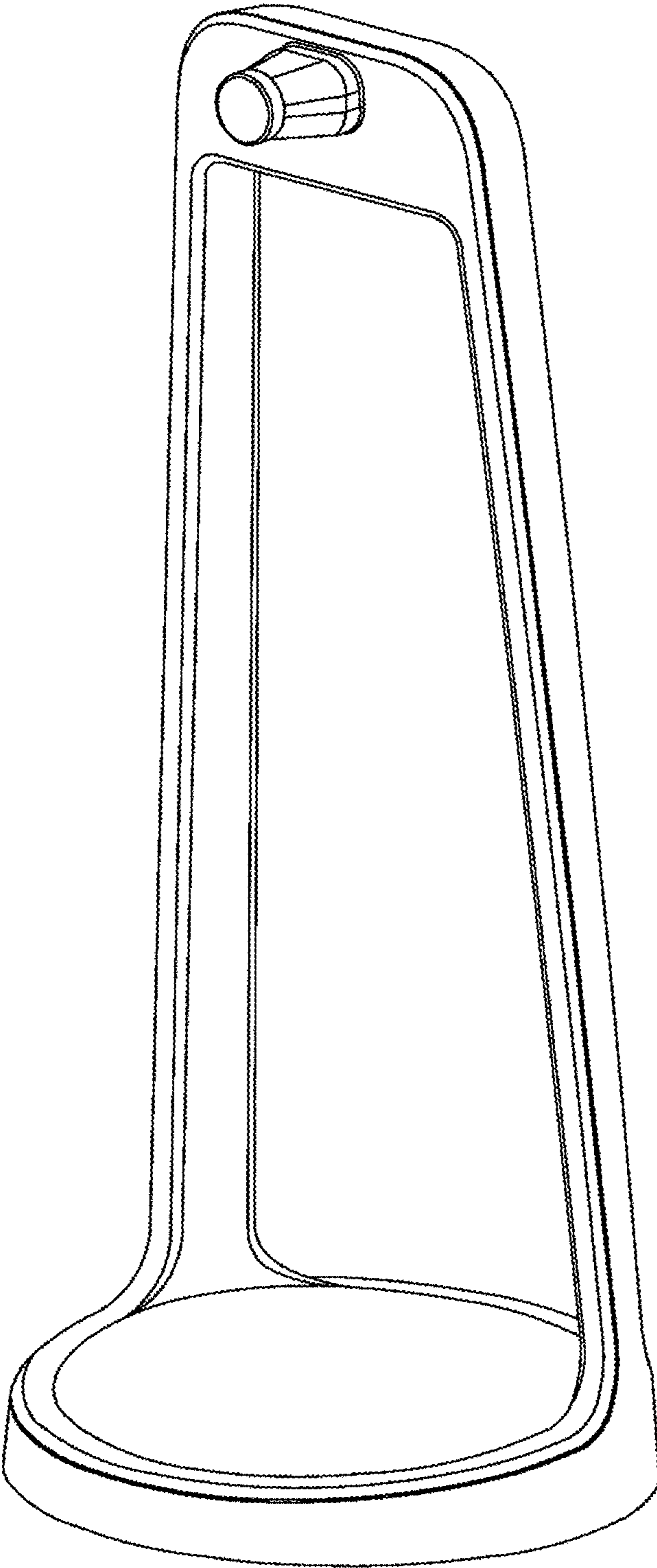


FIG.8

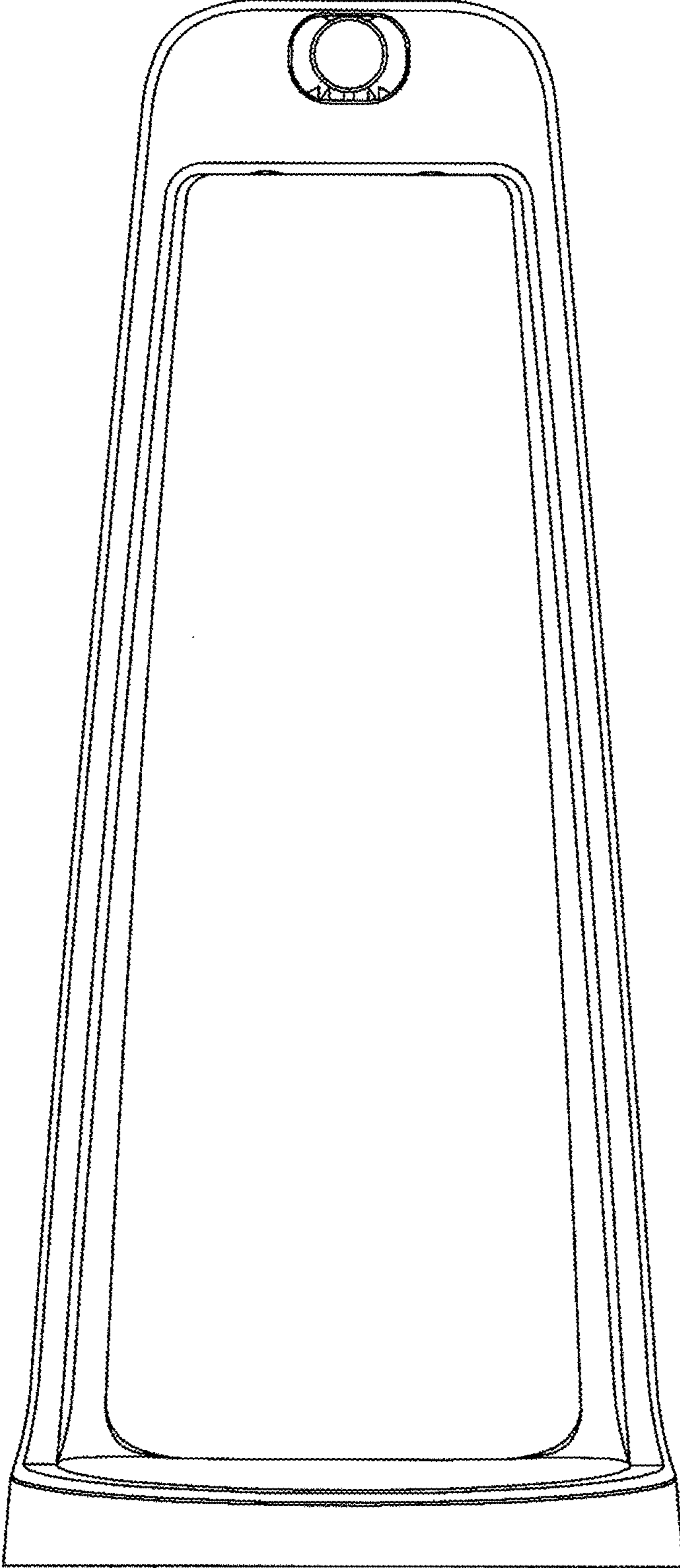


FIG.9

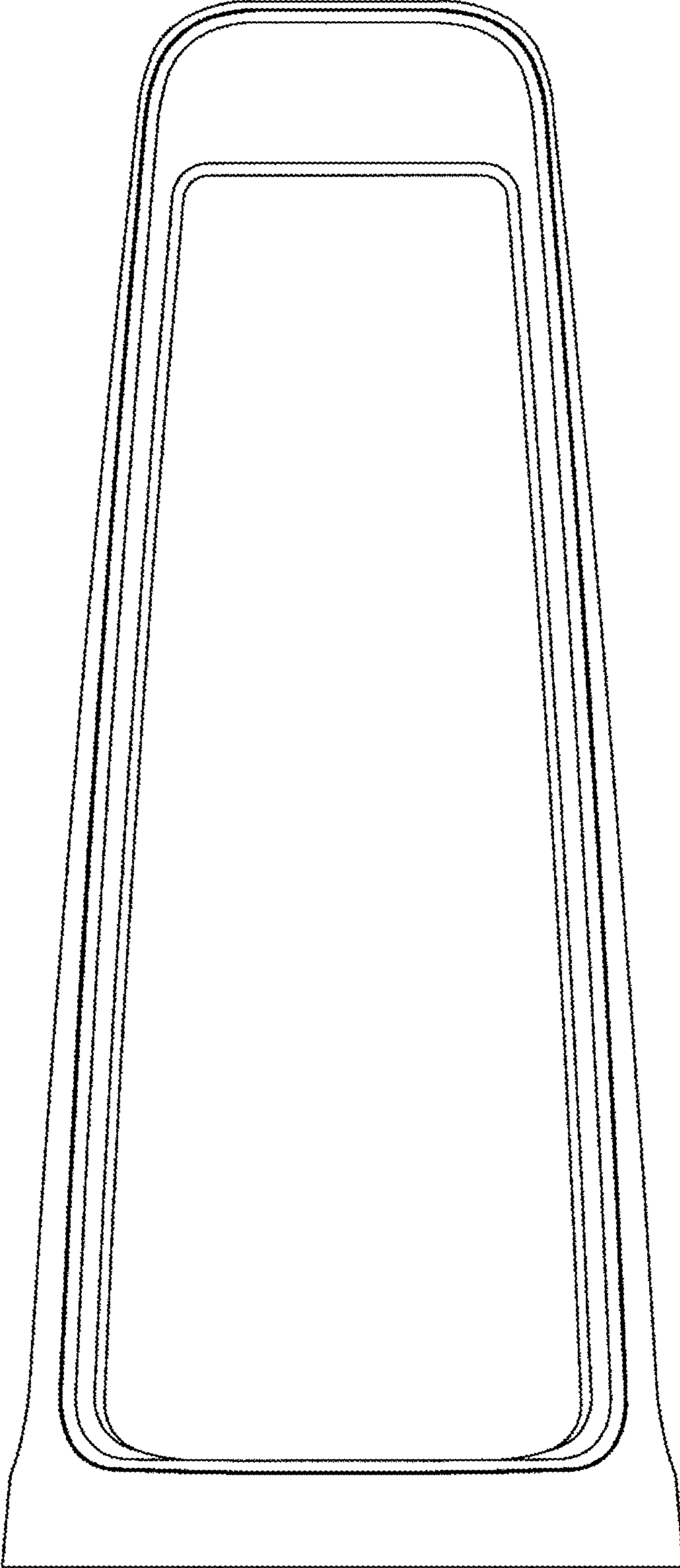


FIG. 10

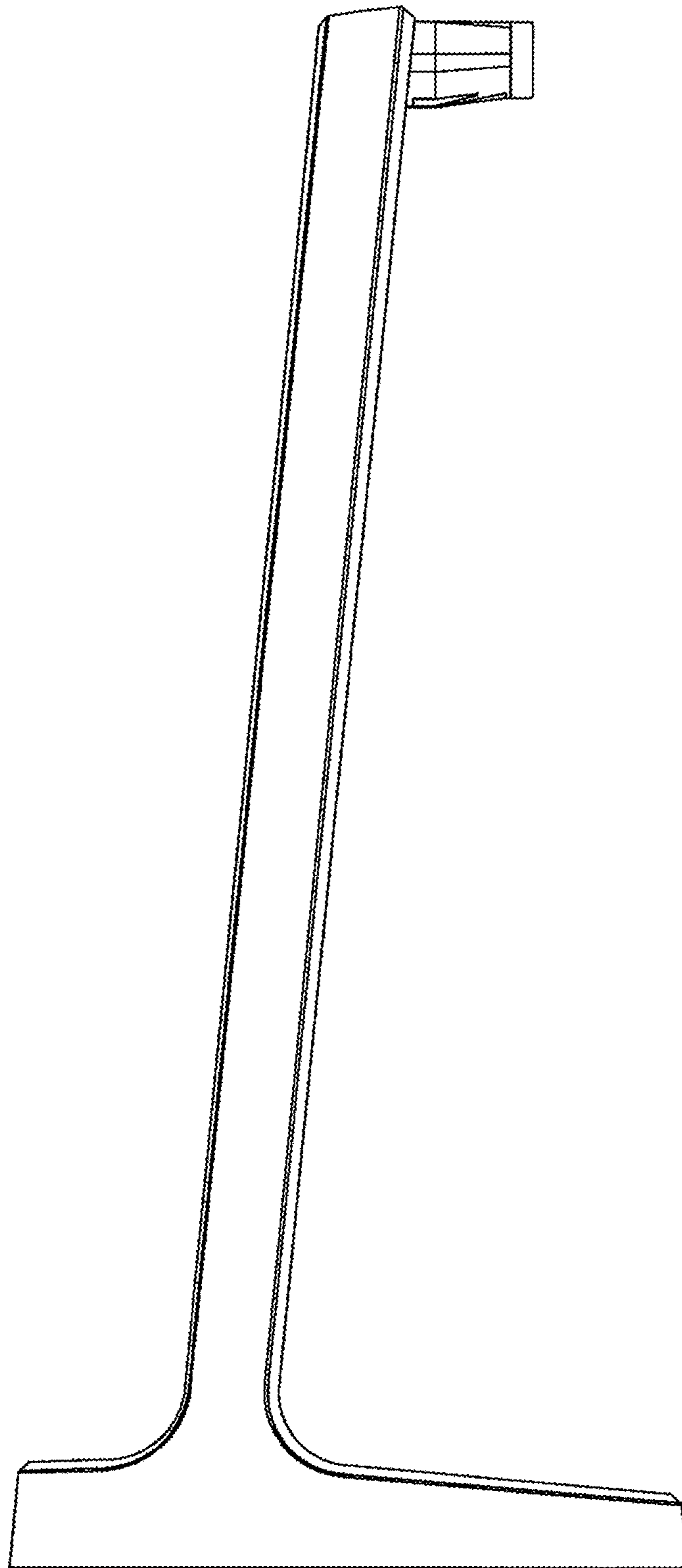


FIG.11

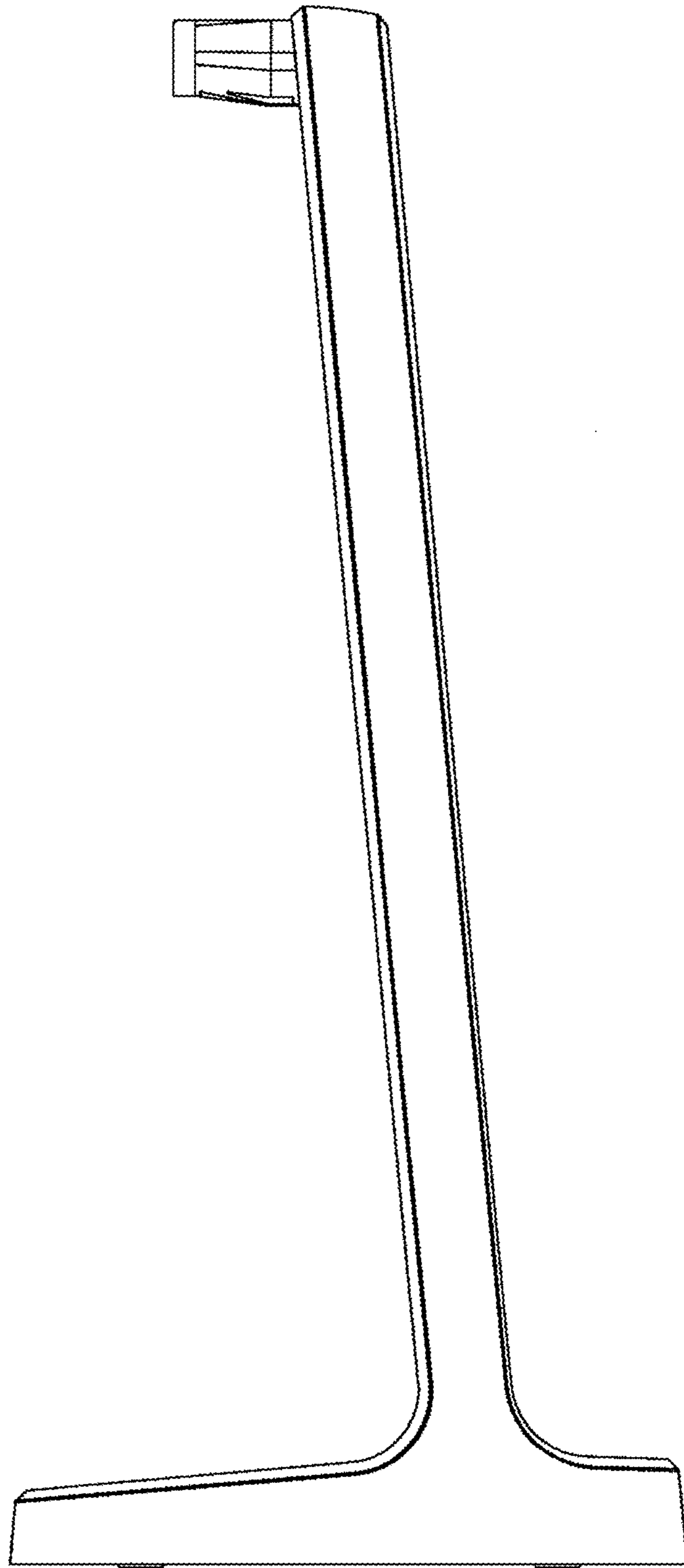


FIG.12

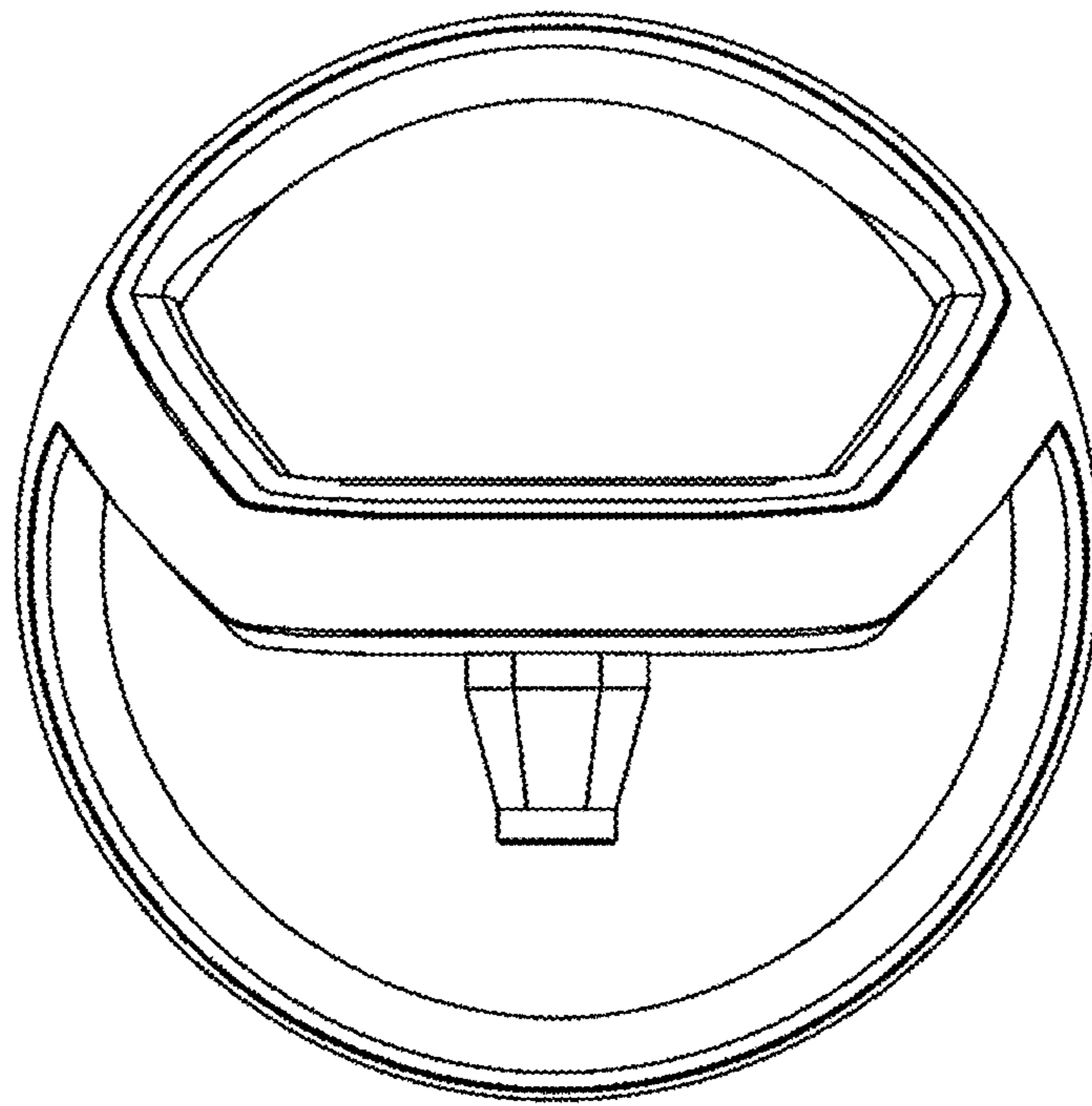


FIG.13

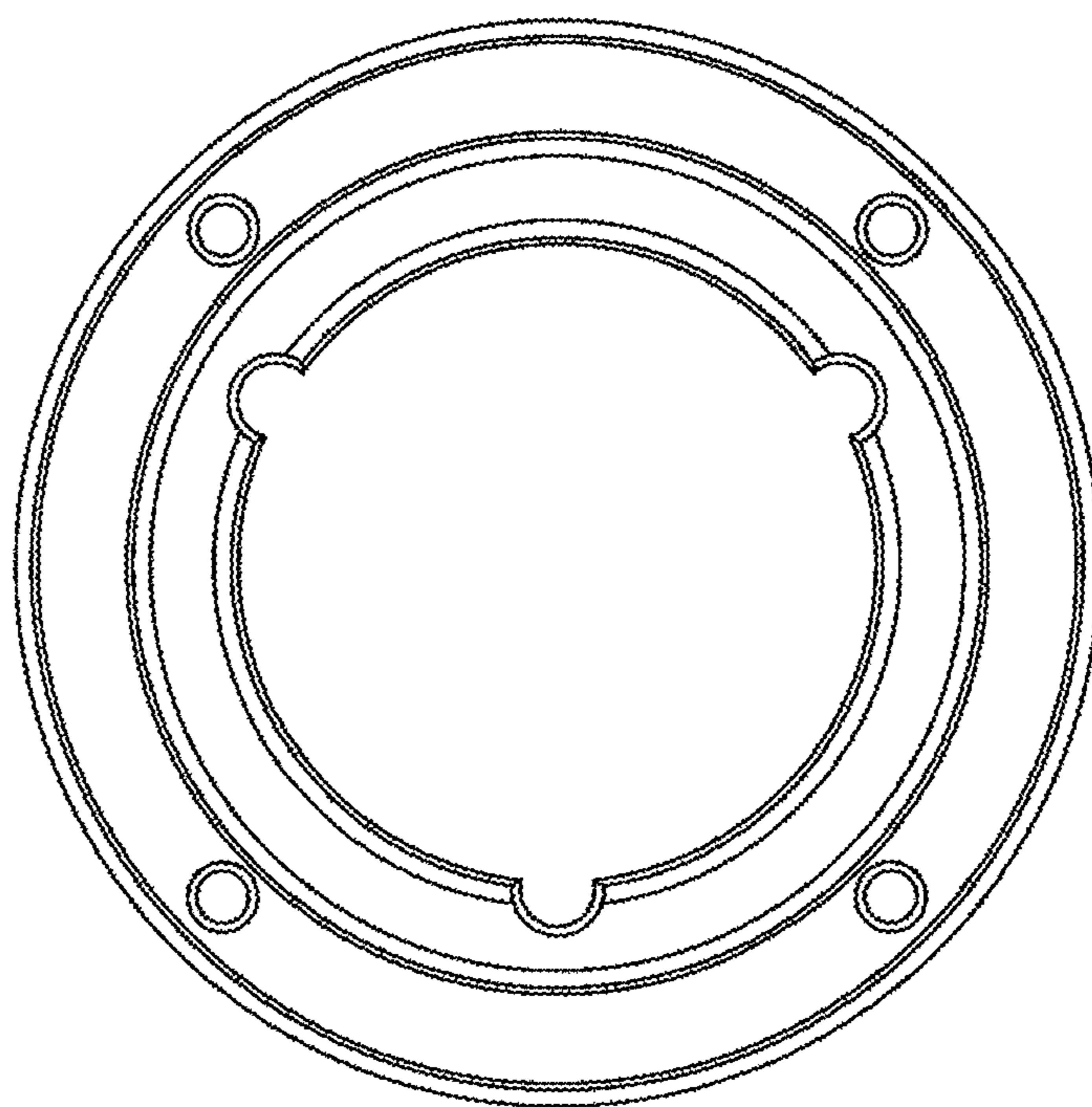


FIG.14



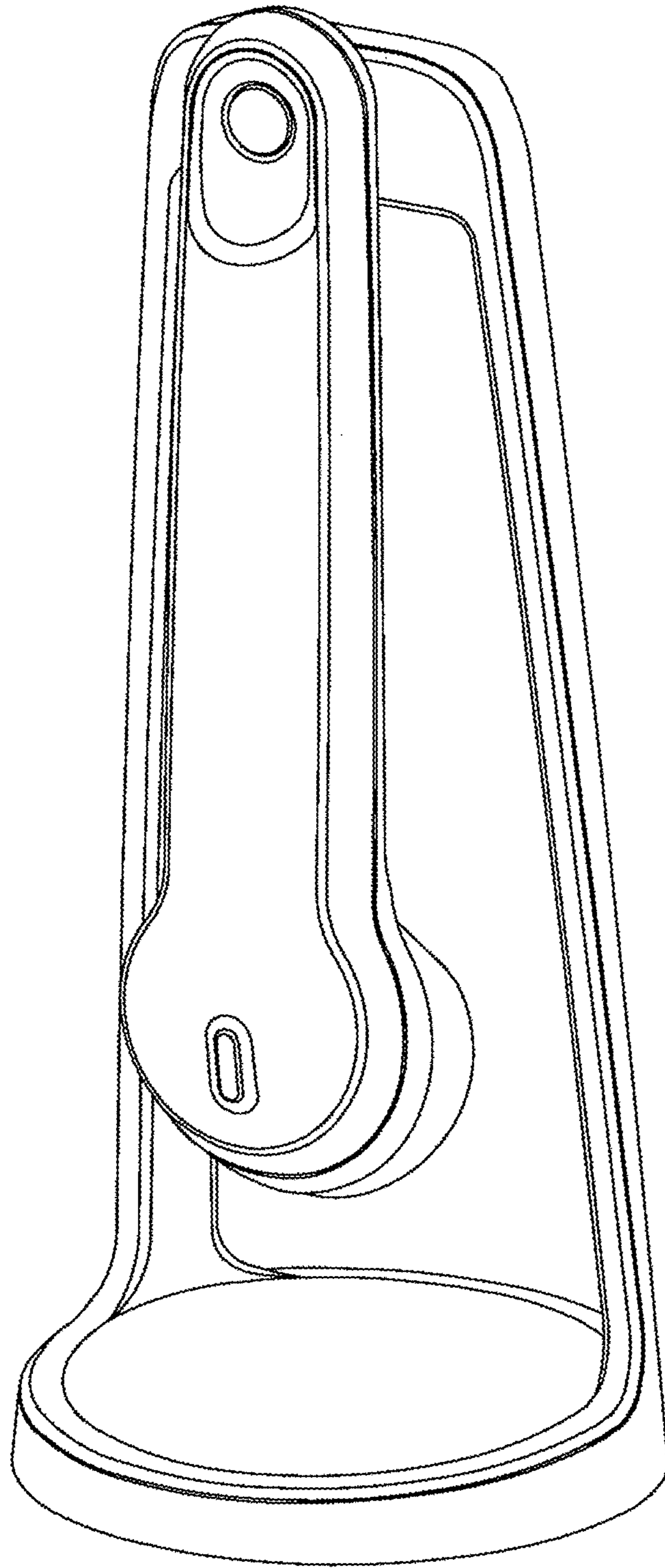


FIG.15

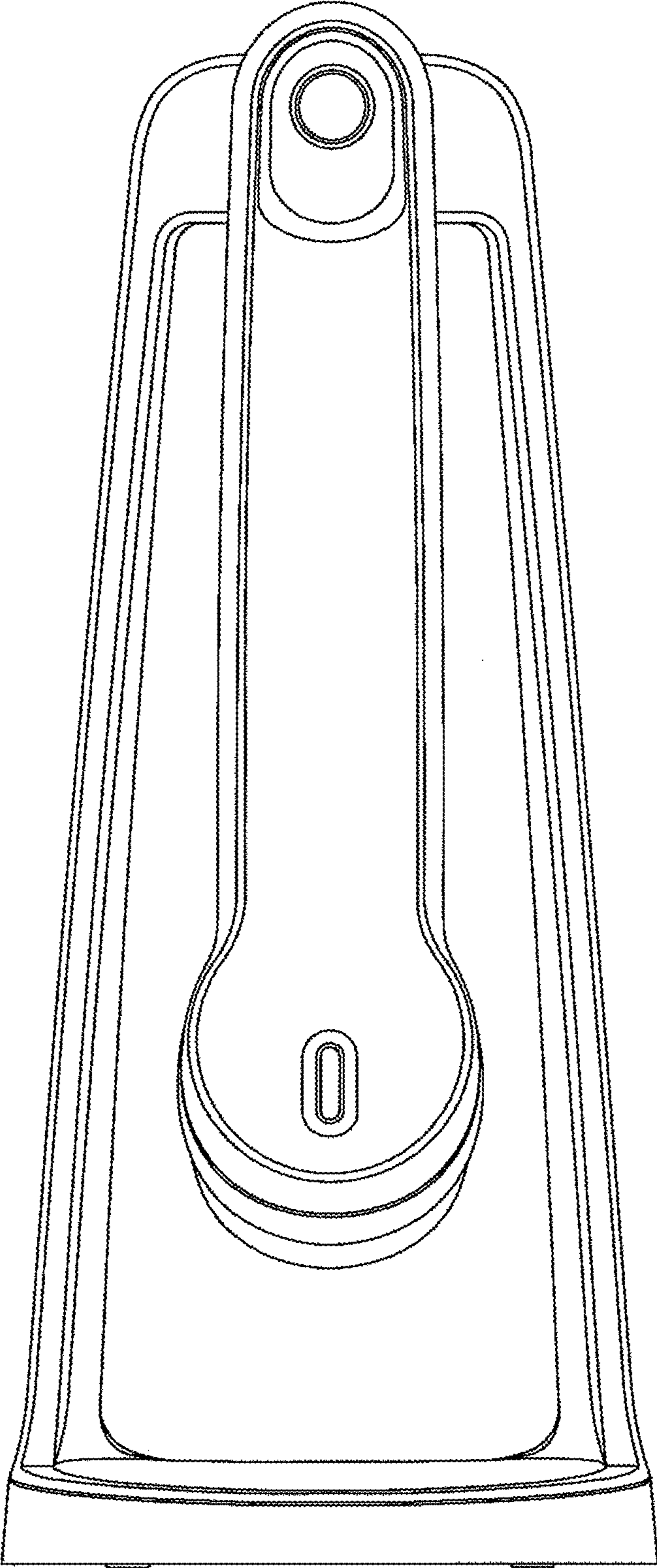


FIG.16

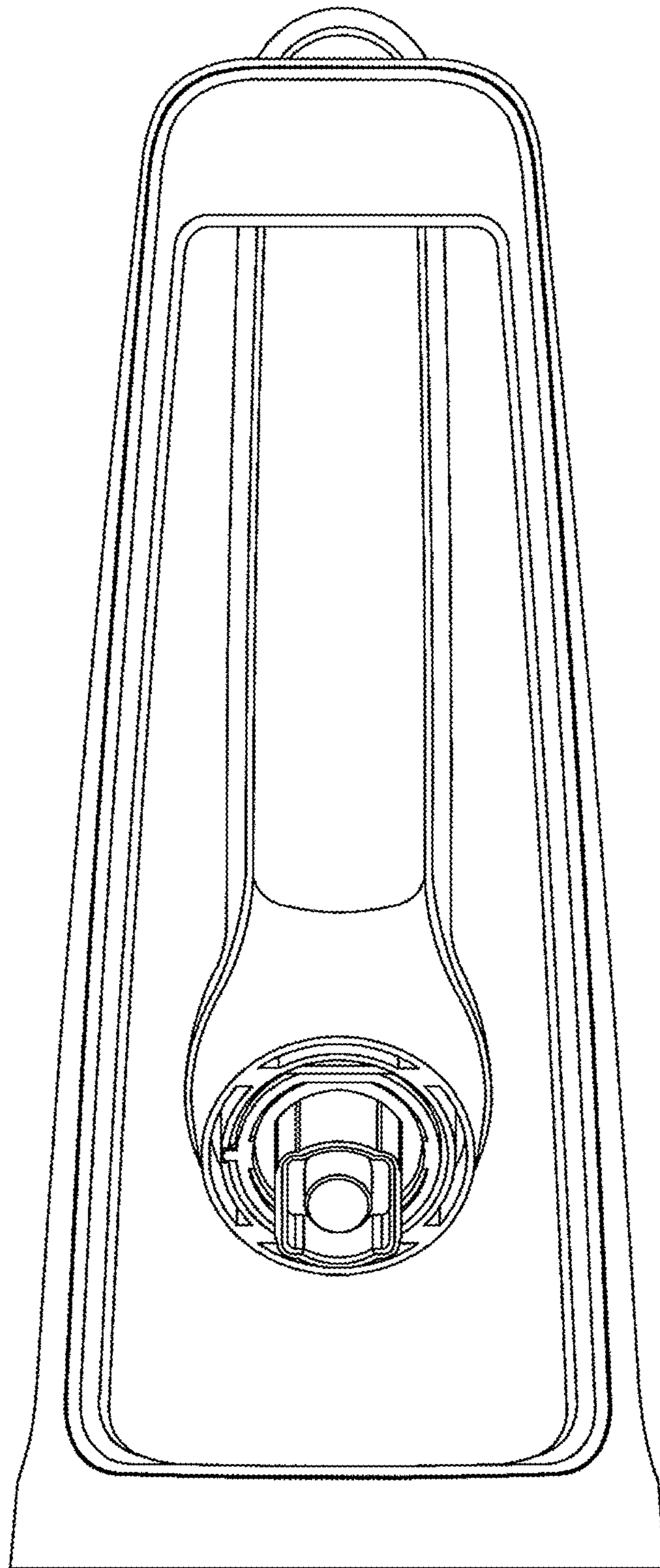


FIG.17

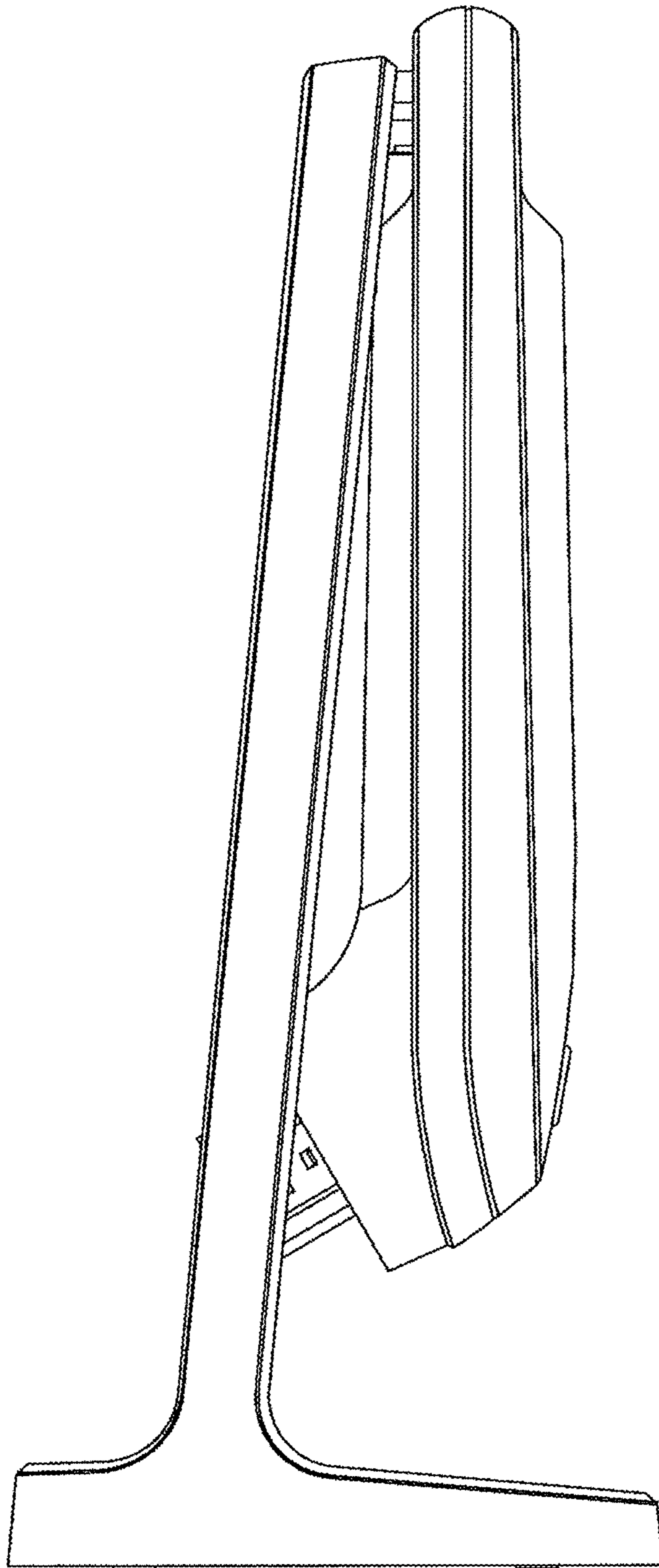


FIG. 18

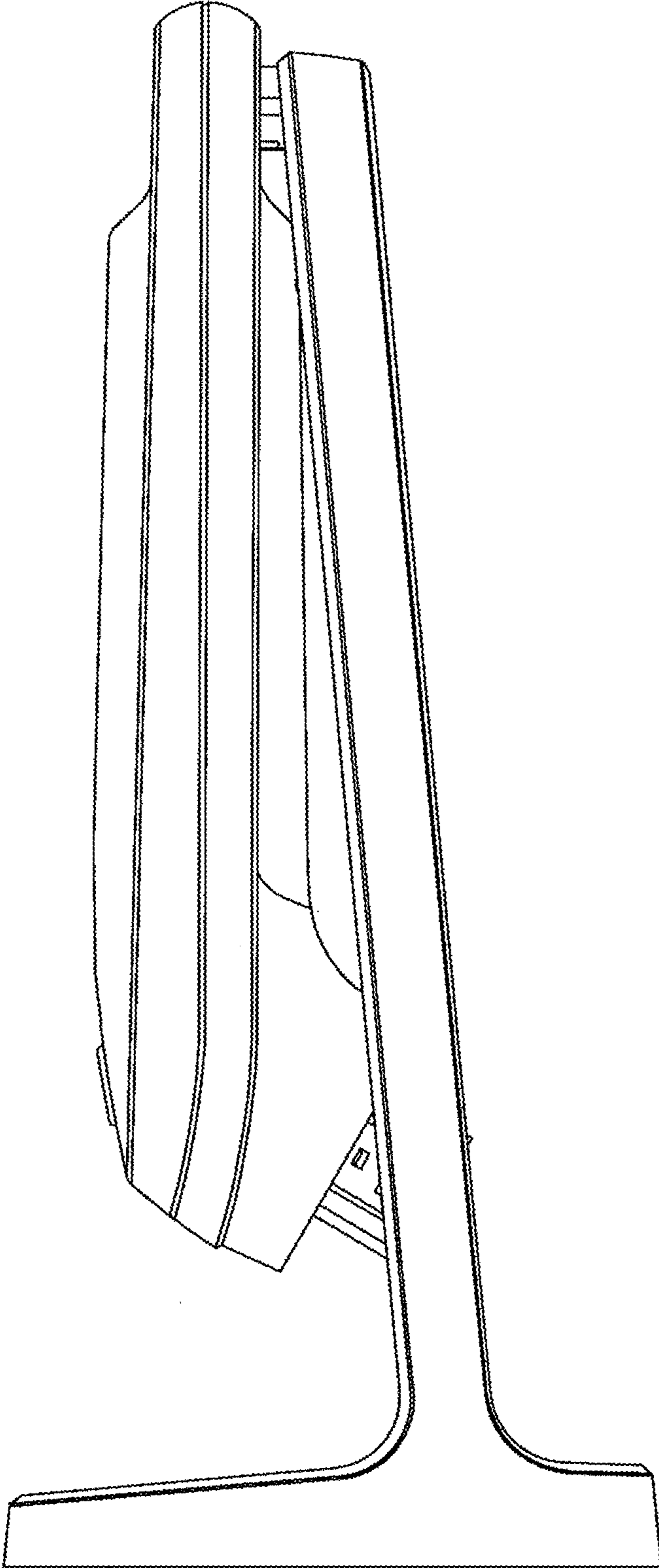


FIG.19

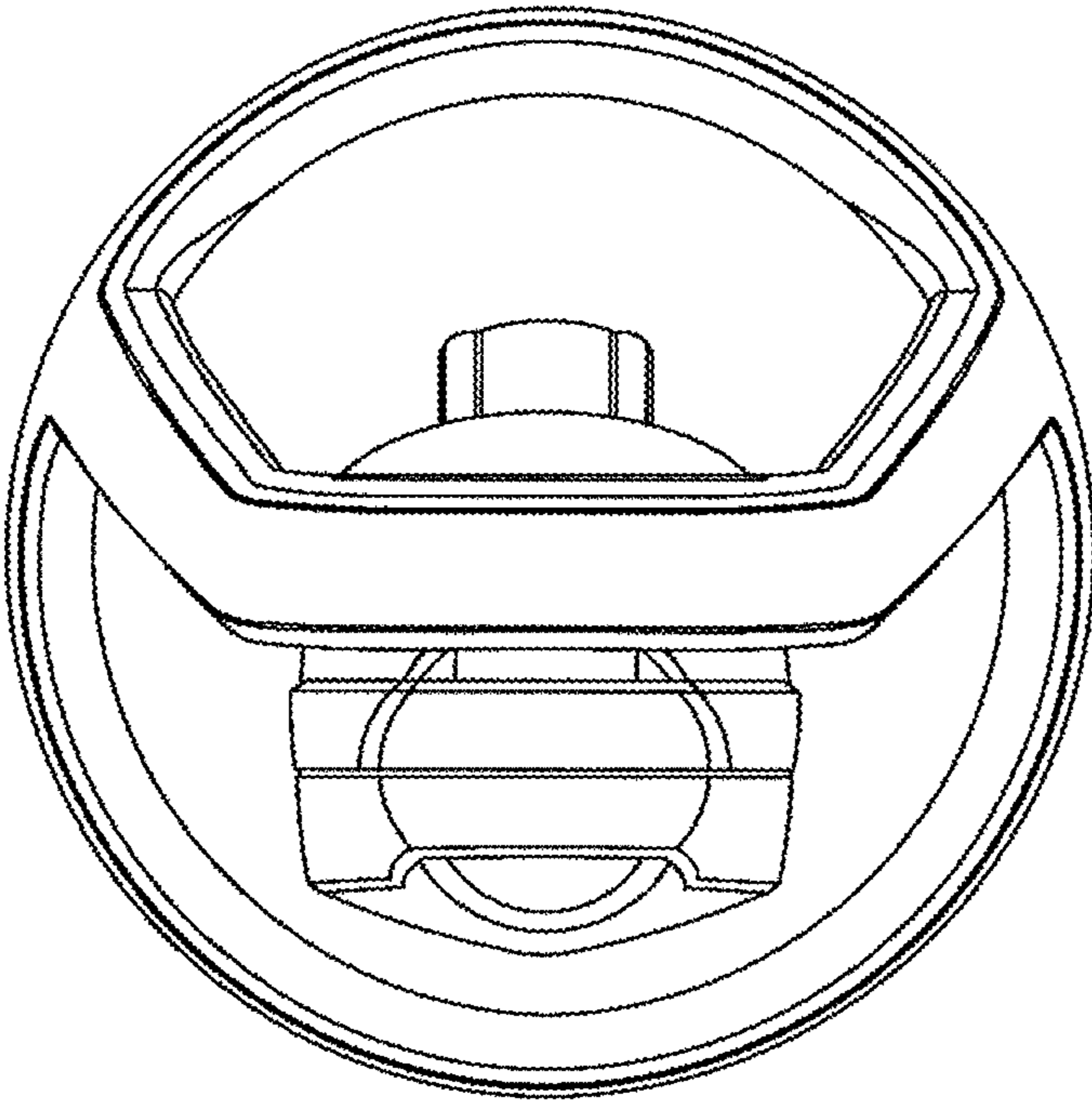


FIG.20

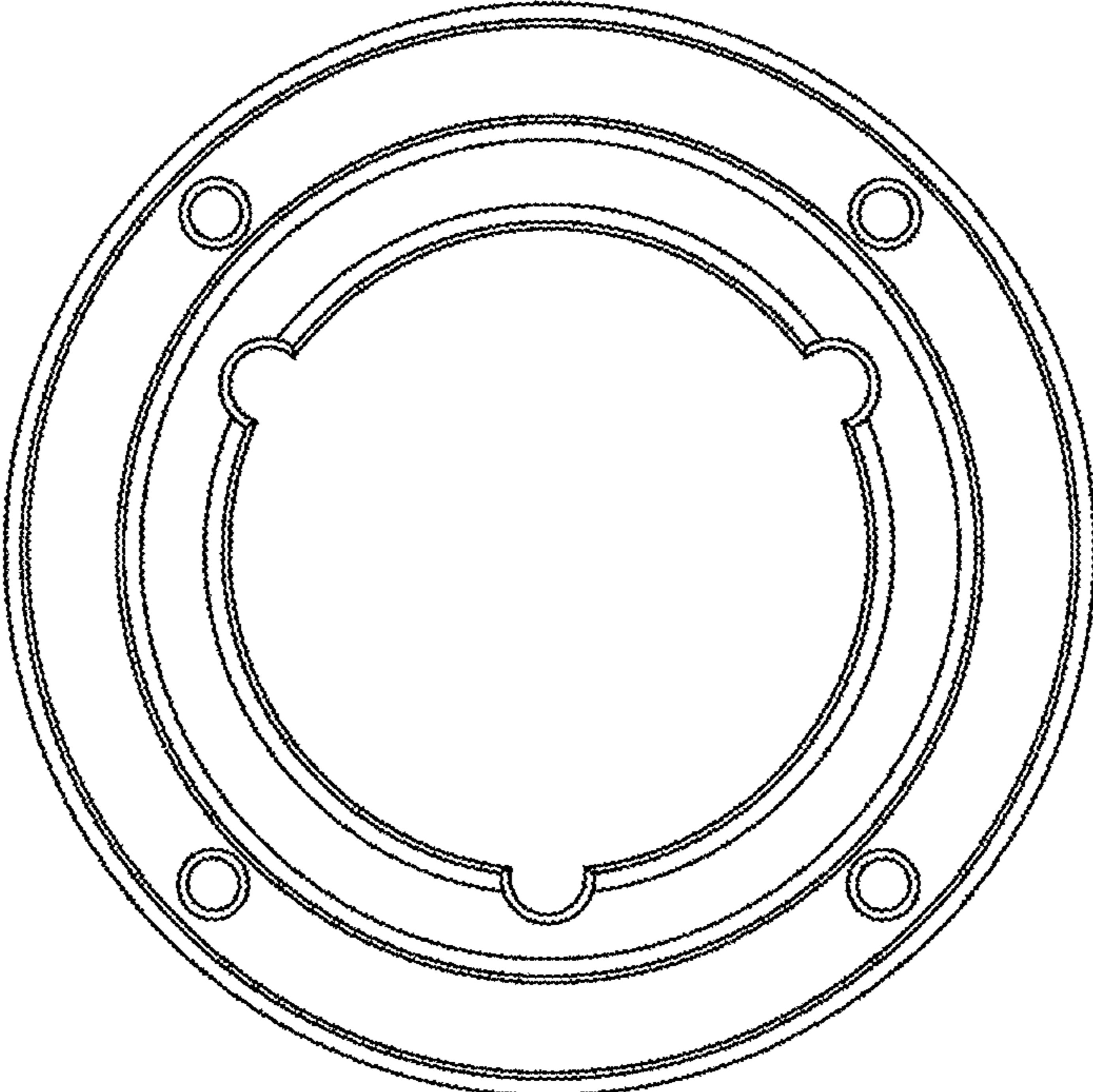


FIG.21