



US00D866184S

(12) **United States Design Patent** (10) **Patent No.:** **US D866,184 S**
Zeller (45) **Date of Patent:** **** Nov. 12, 2019**

(54) **RING HANDLE FOR A BAG**
(71) Applicant: **Delvaux Createur SA**, Brussels (BE)
(72) Inventor: **Christina Zeller**, Brussels (BE)
(73) Assignee: **Delvaux Createur SA**, Brussels (BE)
(**) Term: **15 Years**
(21) Appl. No.: **29/664,728**
(22) Filed: **Sep. 27, 2018**
(51) **LOC (12) Cl.** **03-01**
(52) **U.S. Cl.**
USPC **D3/318**
(58) **Field of Classification Search**
USPC D3/232–233, 240–243, 245–246, 318
CPC ... A45C 1/024; A45C 3/06; A45F 5/10; A45F
5/14
See application file for complete search history.

(56) **References Cited**
U.S. PATENT DOCUMENTS
D532,968 S * 12/2006 Roth D3/242
D572,484 S * 7/2008 Gonzalez D3/318
D583,558 S * 12/2008 Siegel D3/242
D592,854 S * 5/2009 Gonzalez D3/318
D825,927 S * 8/2018 Solveson D3/318

OTHER PUBLICATIONS
Delvaux Tempete Papillon, Feb. 7, 2017, p. 1 (Year: 2017).*
Delvaux Women’s and Men’s Collection, Autumn-Winter 2016-
2017, 96 pages (Year: 2016).*

Iakovou, Pascal, “Delvaux Collection Printemps-Ets 2018” dated
Nov. 28, 2017 9 pages (Year: 2017).*
Statement on First Public Disclosure, Sep. 2017, p. 1 (Year: 2017).*

* cited by examiner

Primary Examiner — Holly H Baynham
(74) *Attorney, Agent, or Firm* — Weaver Austin
Villeneuve & Sampson LLP

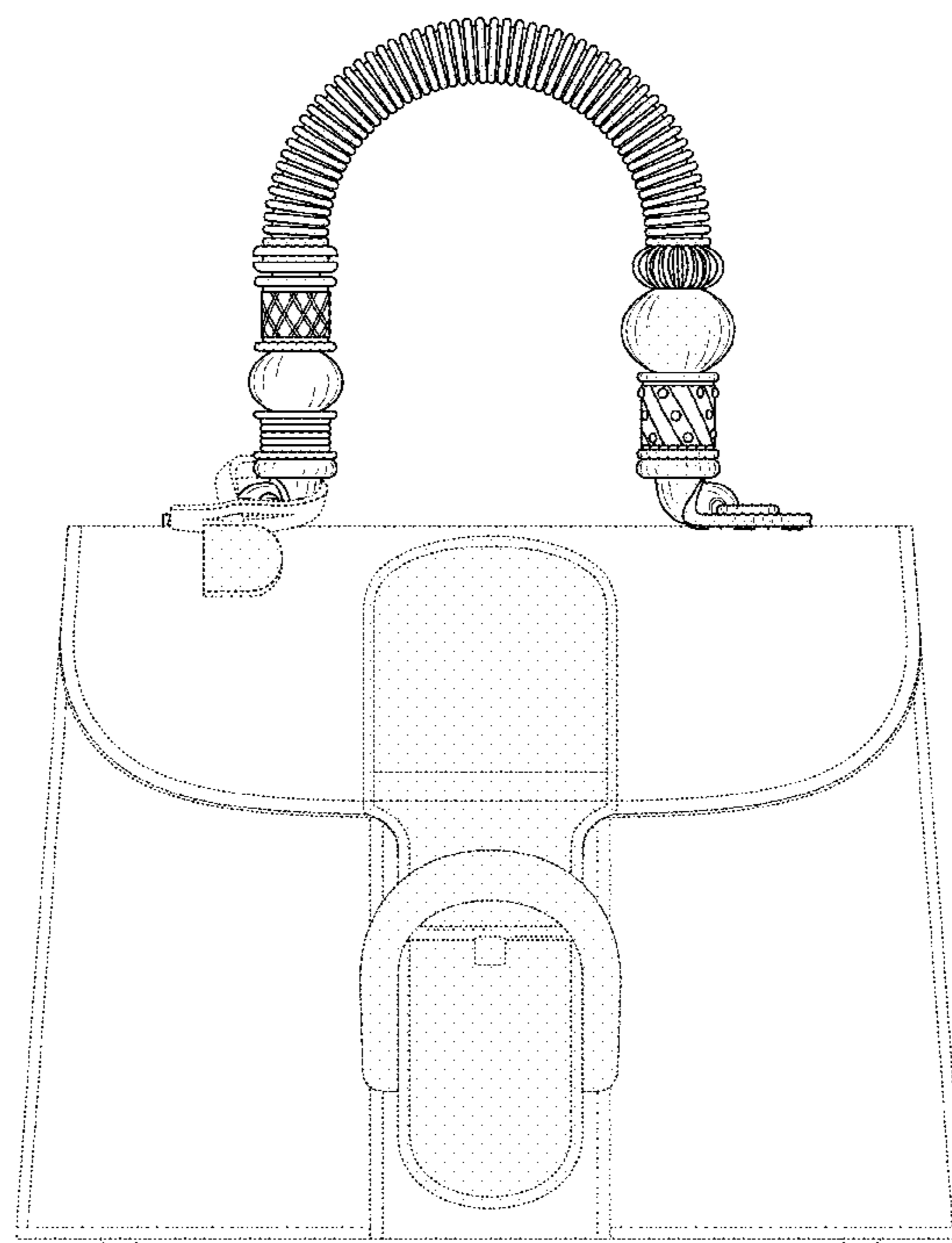
(57) **CLAIM**

What is claimed is a ring handle for a bag, as shown and
described.

DESCRIPTION

FIG. 1 is a front view of a ring handle for a bag.
FIG. 2 is a rear view of the ring handle for the bag of FIG.
1.
FIG. 3 is a left side view of the ring handle for the bag of
FIG. 1.
FIG. 4 is a right side view of the ring handle for the bag of
FIG. 1.
FIG. 5 is a top view of the ring handle for the bag of FIG.
1.
FIG. 6 is a bottom view of the ring handle for the bag of FIG.
1; and,
FIG. 7 is a perspective view of the ring handle for the bag
of FIG. 1.
The broken lines showing a handbag and other handbag
elements are for the purposes of illustrating environment and
form no part of the claimed design.

1 Claim, 6 Drawing Sheets



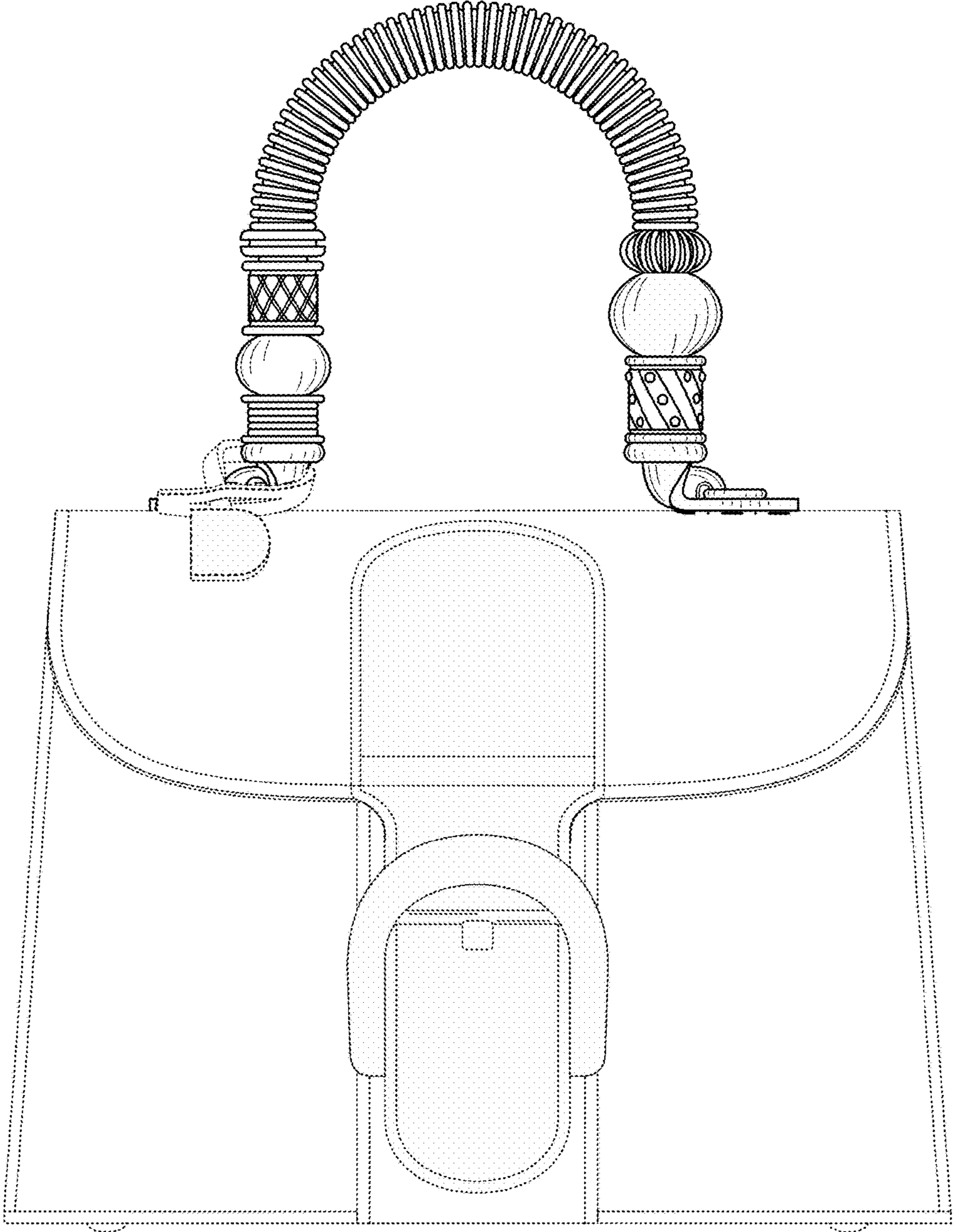


Figure 1

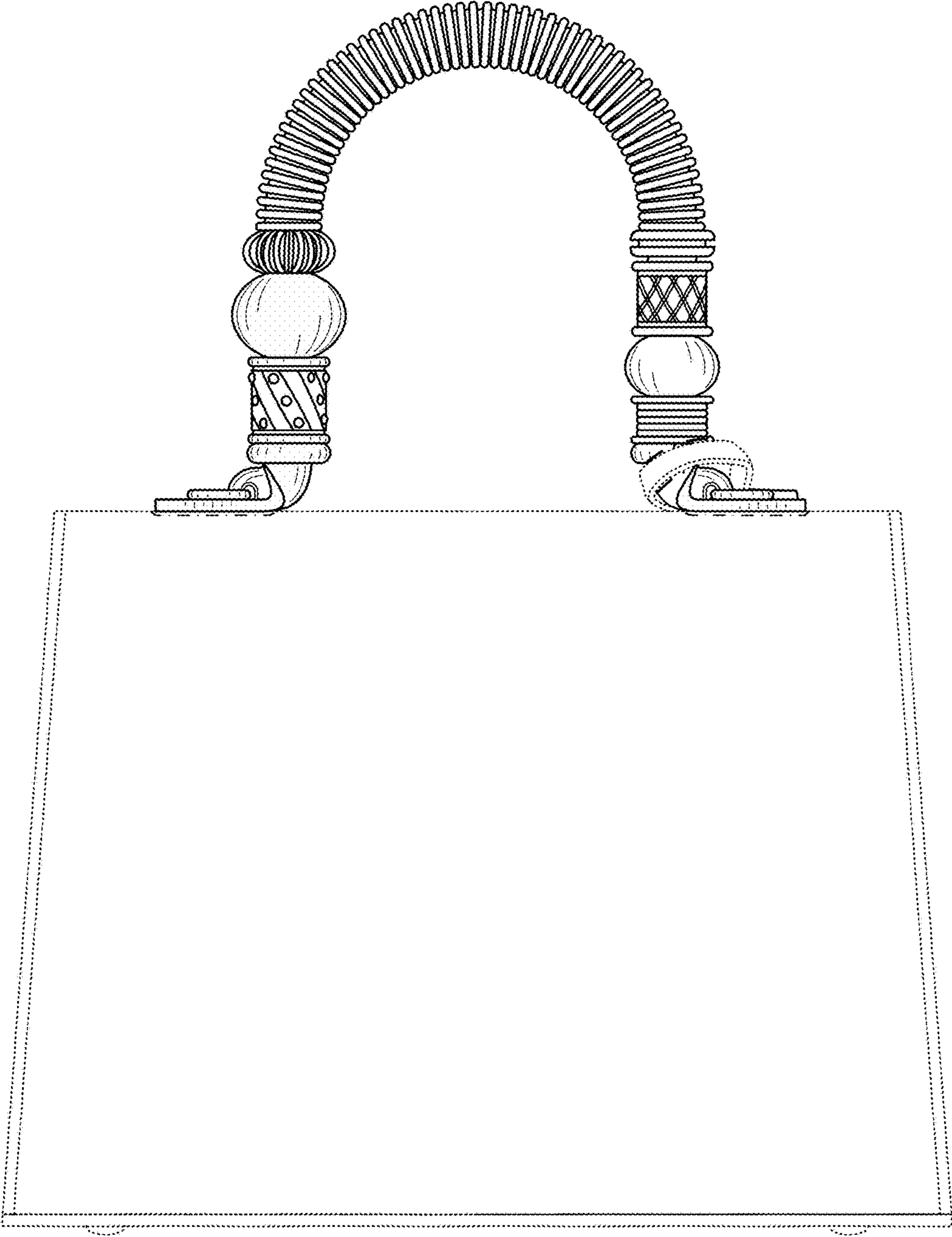


Figure 2

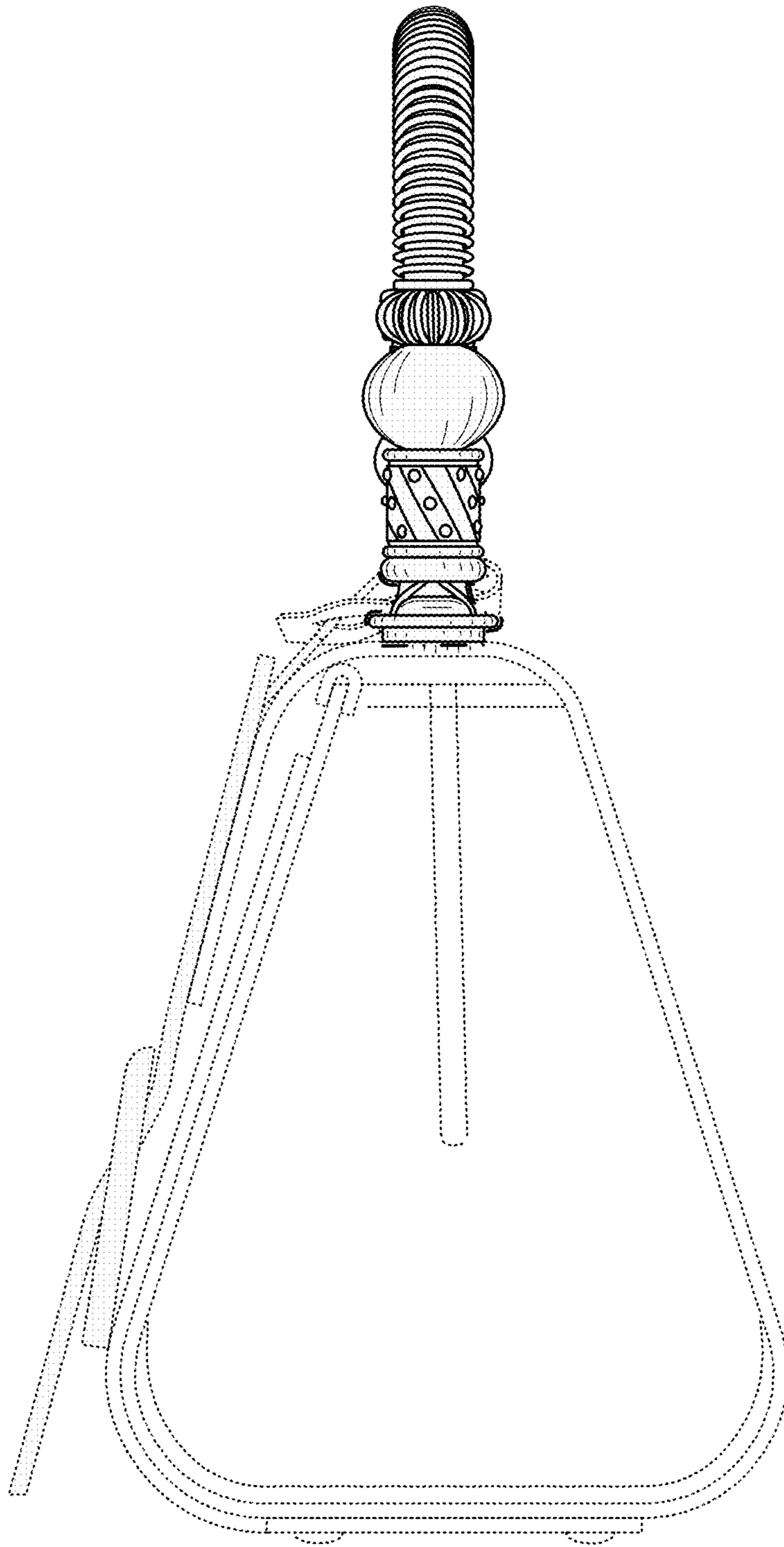


Figure 3

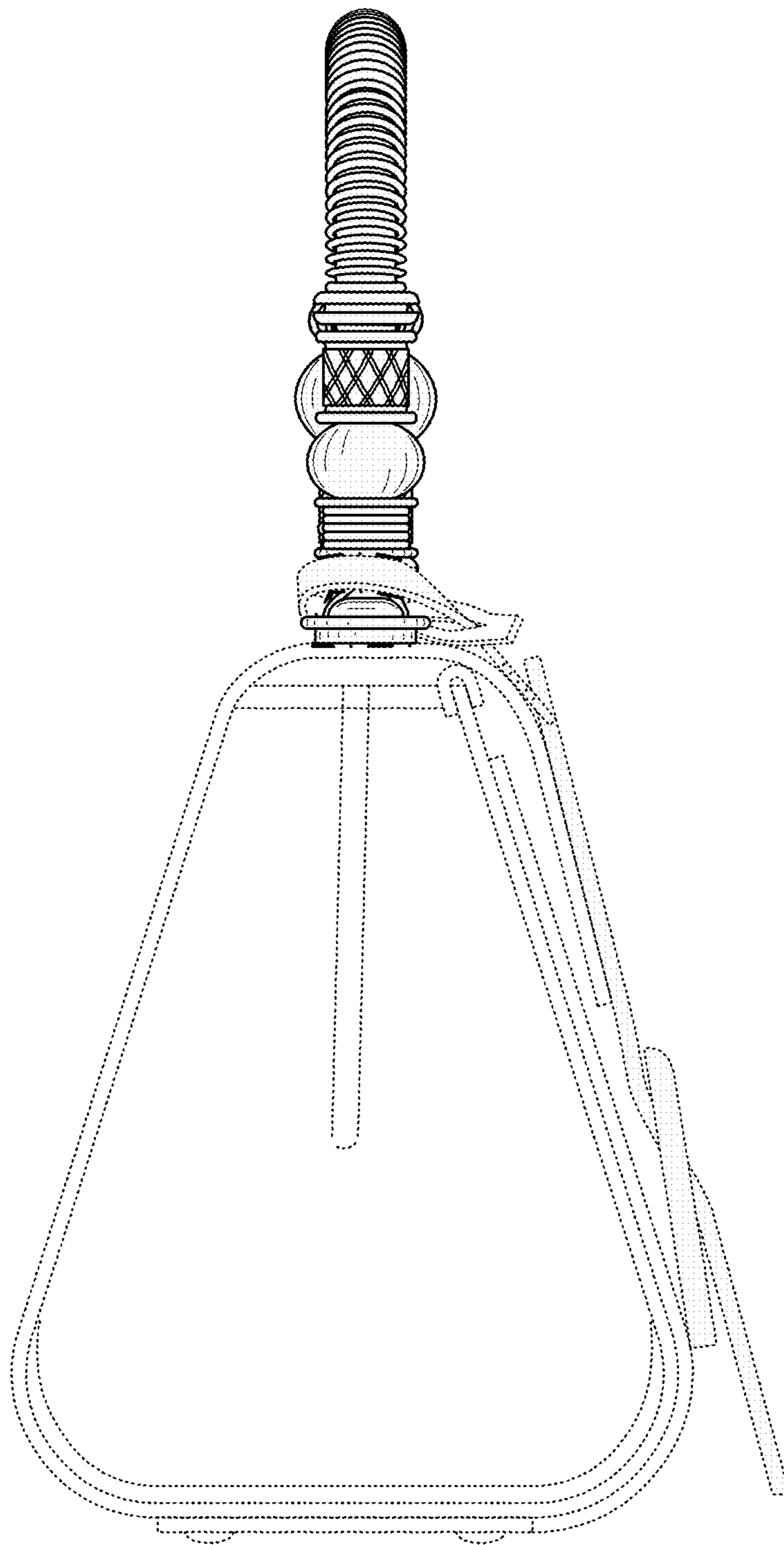


Figure 4

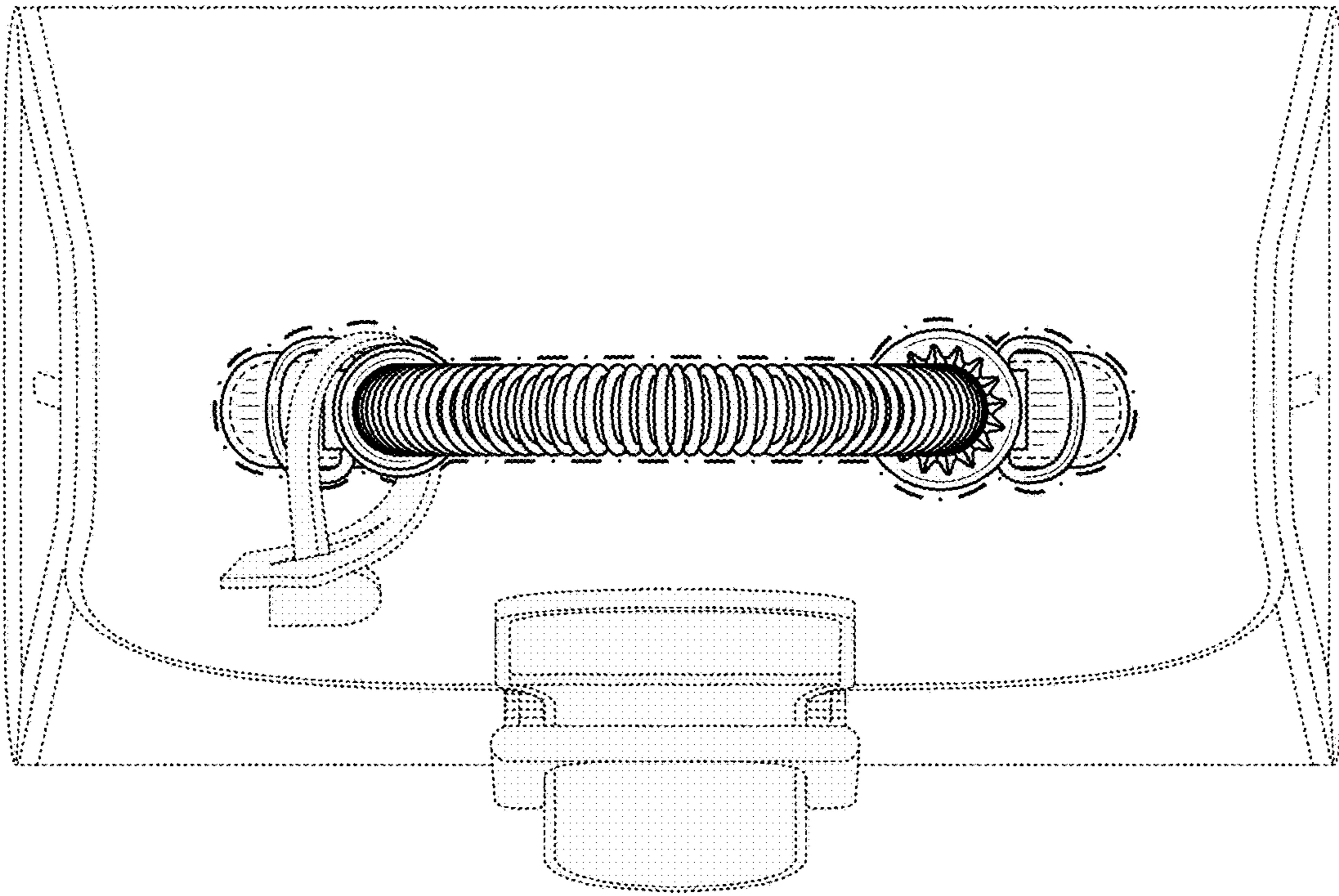


Figure 5

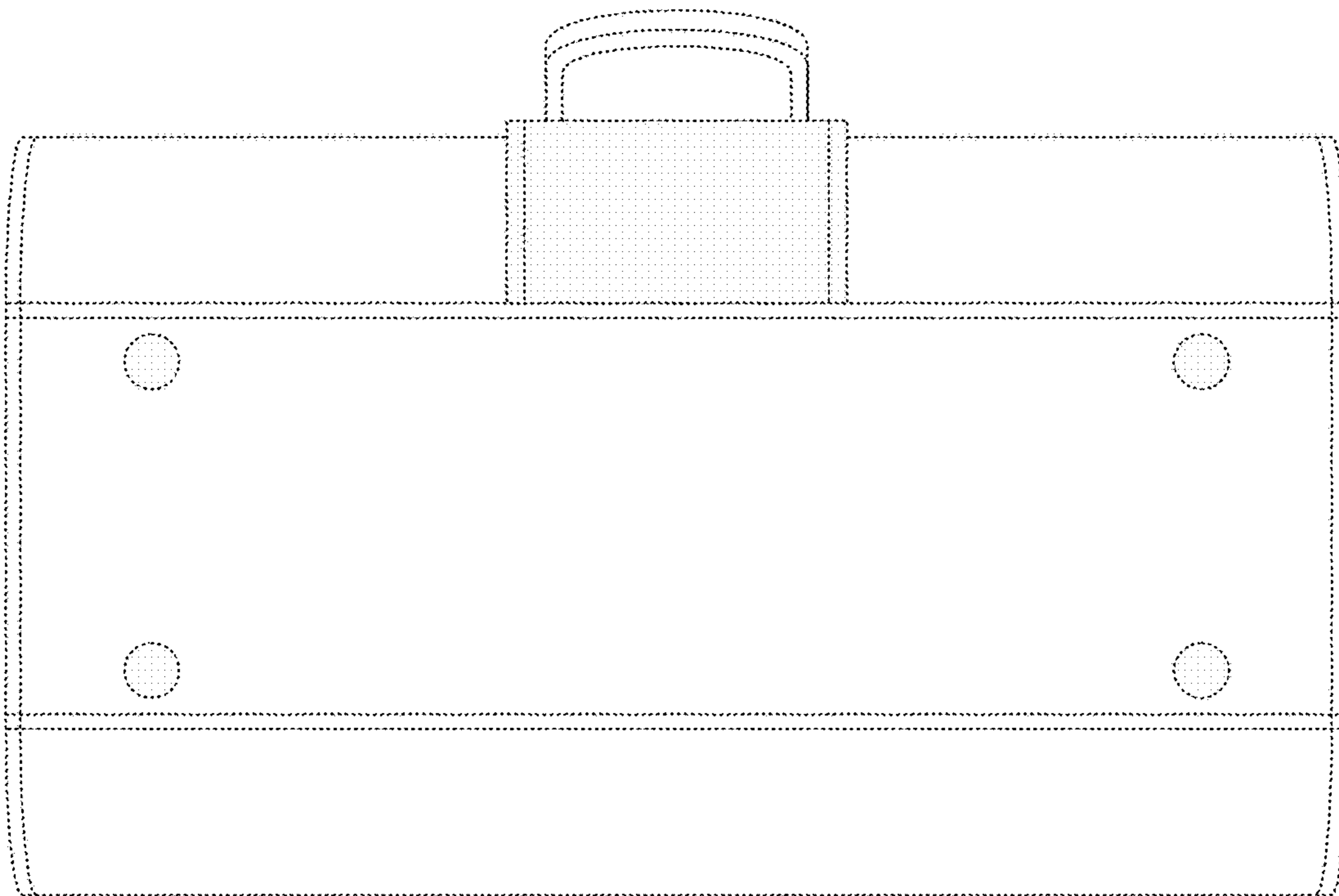


Figure 6

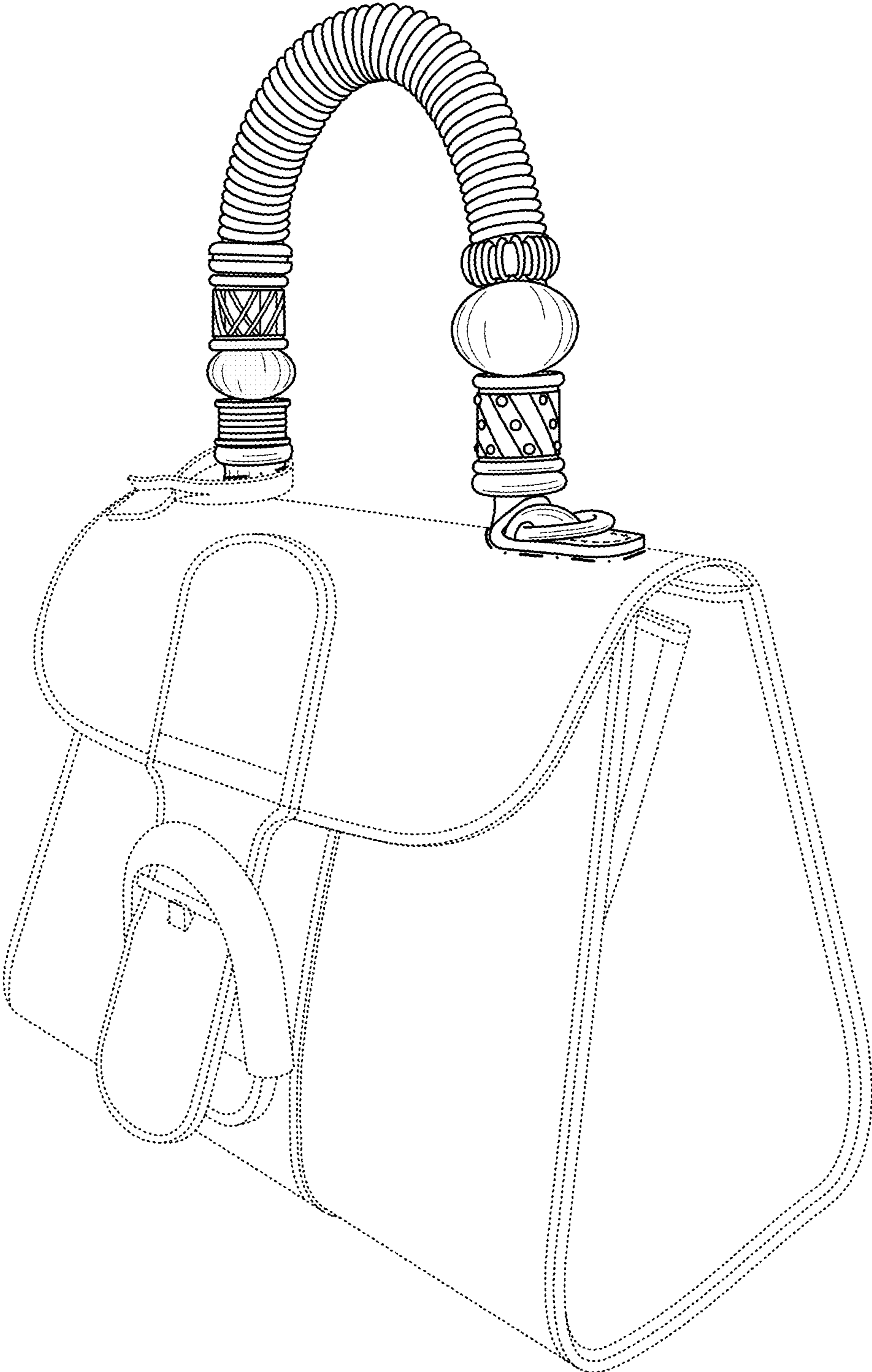


Figure 7