

US00D866183S

(12) **United States Design Patent** (10) **Patent No.:** **US D866,183 S**
Romzek (45) **Date of Patent:** **** Nov. 12, 2019**

(54) **WIRE BASKET**
(71) Applicant: **Chadwick Irvin Romzek**, Neenah, WI (US)
(72) Inventor: **Chadwick Irvin Romzek**, Neenah, WI (US)
(**) Term: **15 Years**
(21) Appl. No.: **29/640,542**
(22) Filed: **Mar. 15, 2018**
(51) **LOC (12) Cl.** **03-01**
(52) **U.S. Cl.**
USPC **D3/306**
(58) **Field of Classification Search**
USPC D3/304, 306, 315; D7/550.1, 554.2,
D7/554.3; D19/75, 77, 78, 81
CPC A47G 19/12; A47G 23/06; A47G 21/08;
A47J 47/14
See application file for complete search history.

D784,771 S * 4/2017 Goodman D23/261
D794,396 S * 8/2017 Goodman D7/601
D807,130 S * 1/2018 Popa D8/1
D810,438 S * 2/2018 Romzek D3/306
D816,420 S * 5/2018 Goodman D7/601
D818,777 S * 5/2018 Goodman D7/601
D826,000 S * 8/2018 Goodman D7/609
D833,223 S * 11/2018 Wilson D7/500
D833,830 S * 11/2018 Goodman D7/601

* cited by examiner
Primary Examiner — Kelley A Donnelly
(74) *Attorney, Agent, or Firm* — Jeffrey S. Sokol

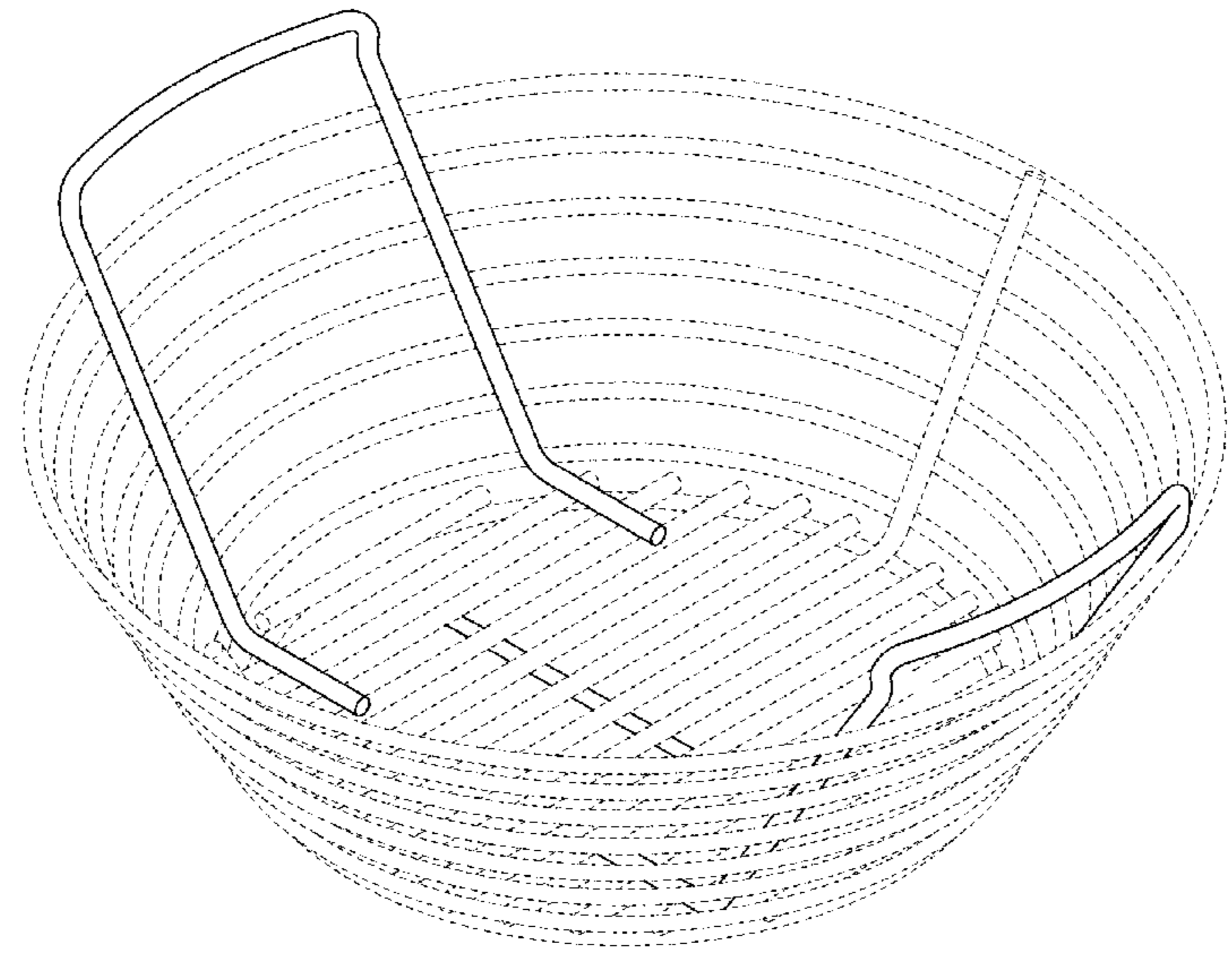
(57) **CLAIM**
The ornamental design of a wire basket, as shown and described.

DESCRIPTION

FIG. 1 is a perspective view showing the wire basket, with the wire rings and grate wires forming the wire basket shown in broken lines;
FIG. 2 is a front view showing the wire basket, with the wire rings and grate wires forming the wire basket shown in broken lines;
FIG. 3 is a top view showing the wire basket, with the wire rings and grate wires forming the wire basket shown in broken lines;
FIG. 4 is a bottom view showing the wire basket, with the wire rings and grate wires forming the wire basket shown in broken lines; and,
FIG. 5 is a side view showing the wire basket, with the wire rings and grate wires forming the wire basket shown in broken lines.
The rear view opposite FIG. 2 is a mirror image. The side view opposite FIG. 5 is a mirror image. The wire rings and grate wires shown in broken lines in FIGS. 1-5 form no part of the claimed design.

(56) **References Cited**
U.S. PATENT DOCUMENTS
1,573,558 A * 2/1926 Macomber B65D 7/20
220/491
4,250,664 A * 2/1981 Remke A01G 23/04
206/423
D311,666 S * 10/1990 Burke D8/1
D448,320 S * 9/2001 Jones D11/148
6,874,276 B2 * 4/2005 Morrison A01G 9/12
220/485
D512,223 S * 12/2005 Snell D3/304
D567,030 S * 4/2008 Goodman D3/306
D620,711 S * 8/2010 Hertaus D3/306
D634,933 S * 3/2011 Hertaus D3/306
D671,286 S * 11/2012 Pelosi D32/37
D678,637 S * 3/2013 Pelosi D32/37
D748,437 S * 2/2016 Goodman D7/584
D751,186 S * 3/2016 Romzek D23/410
D776,984 S * 1/2017 Goodman D7/601

1 Claim, 5 Drawing Sheets



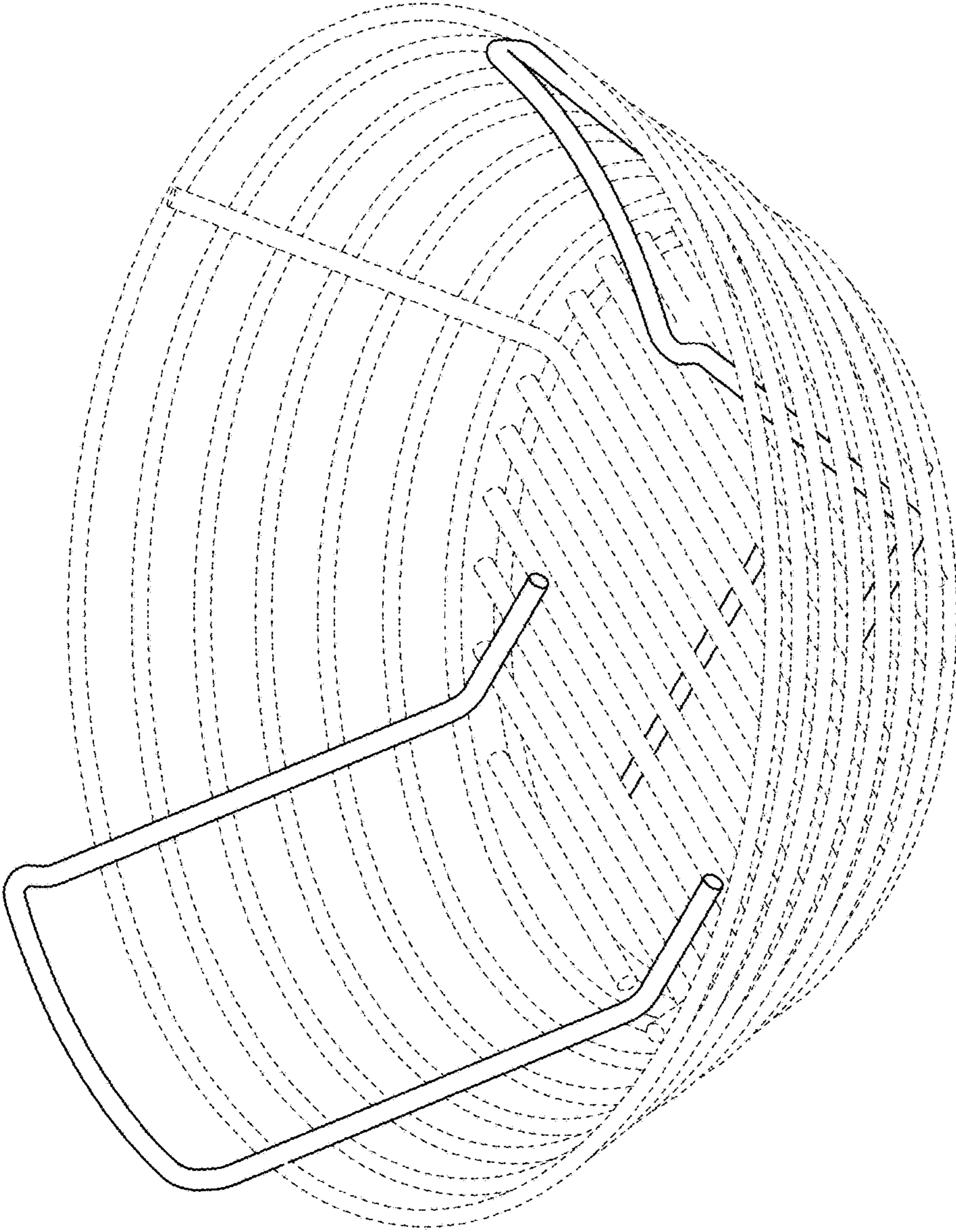


FIGURE 1

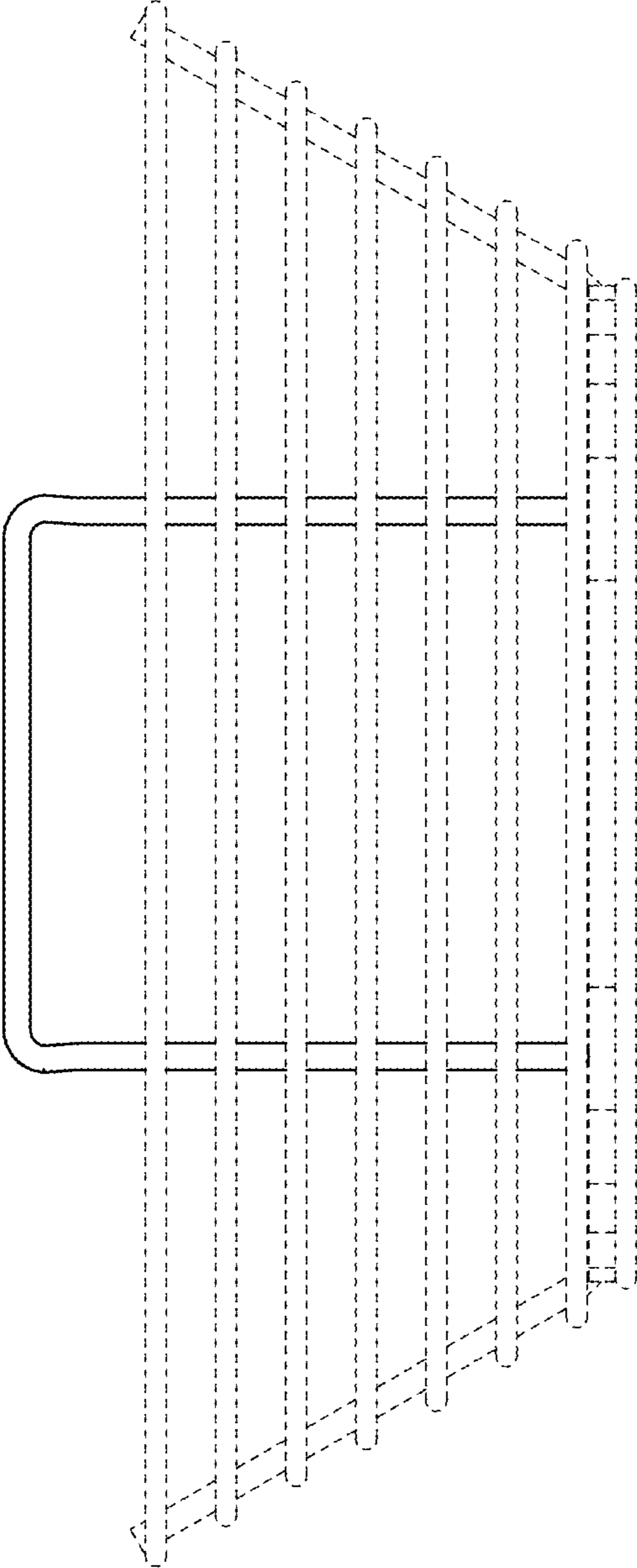


FIGURE 2

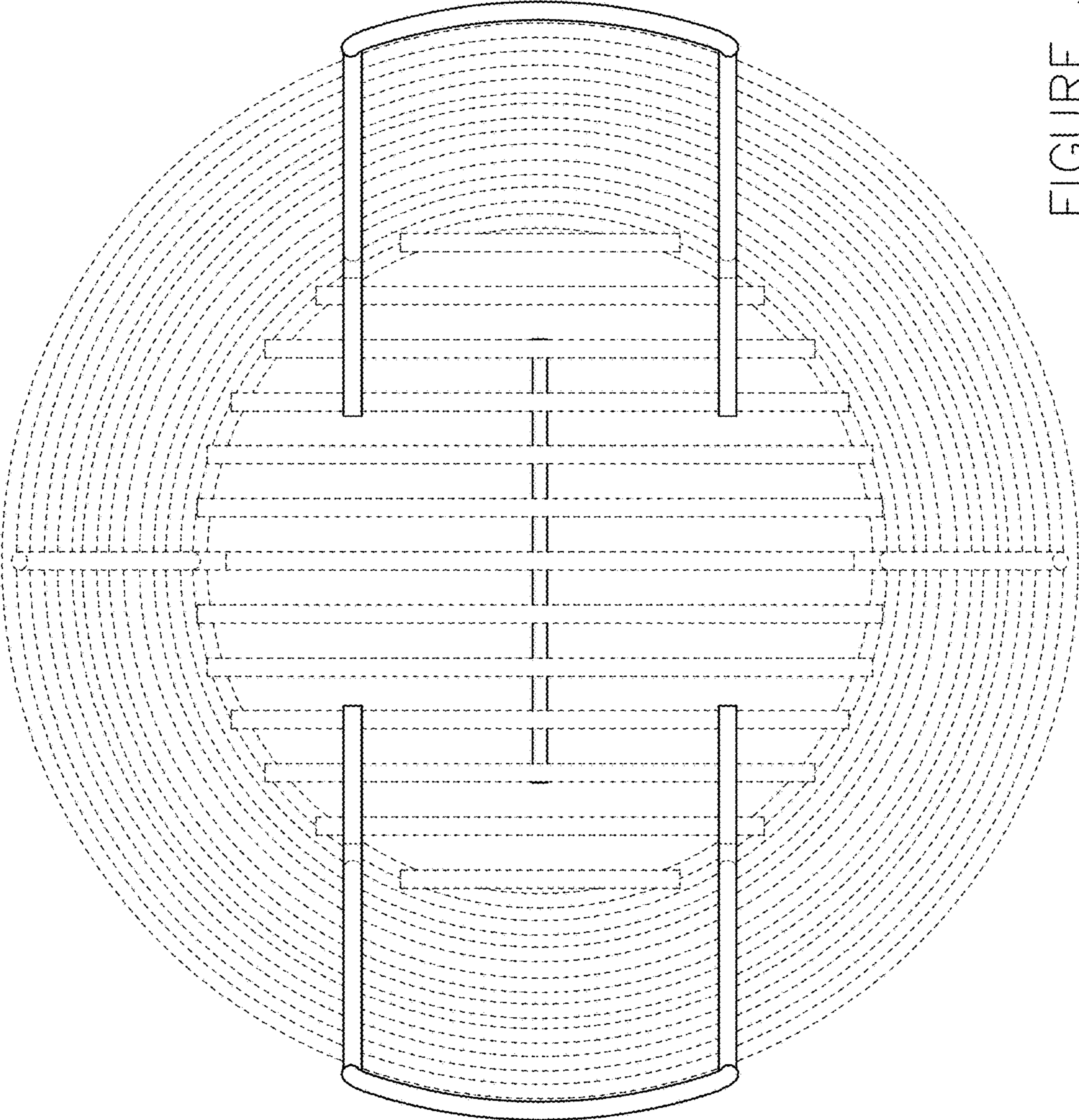


FIGURE 3

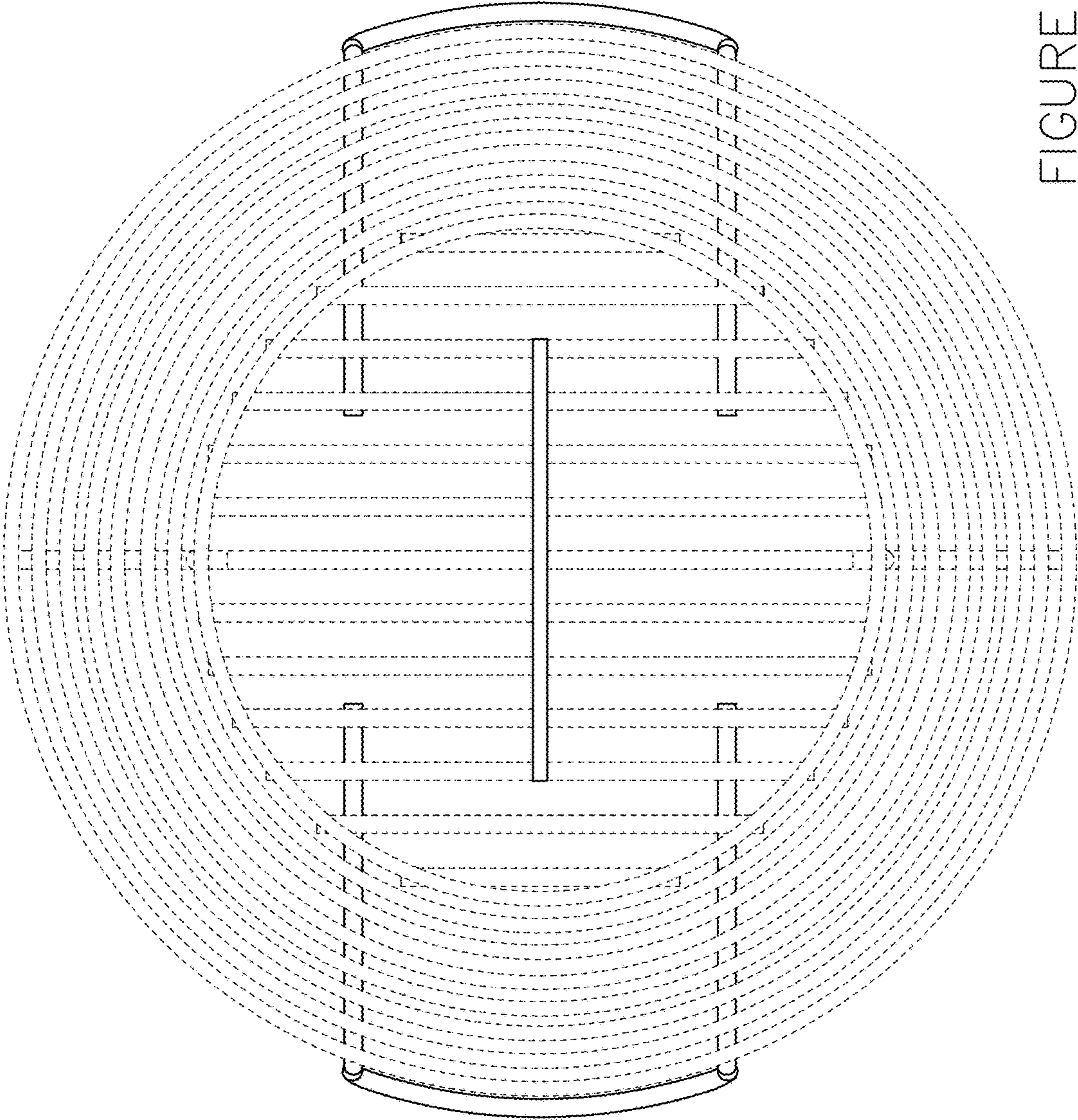


FIGURE 4

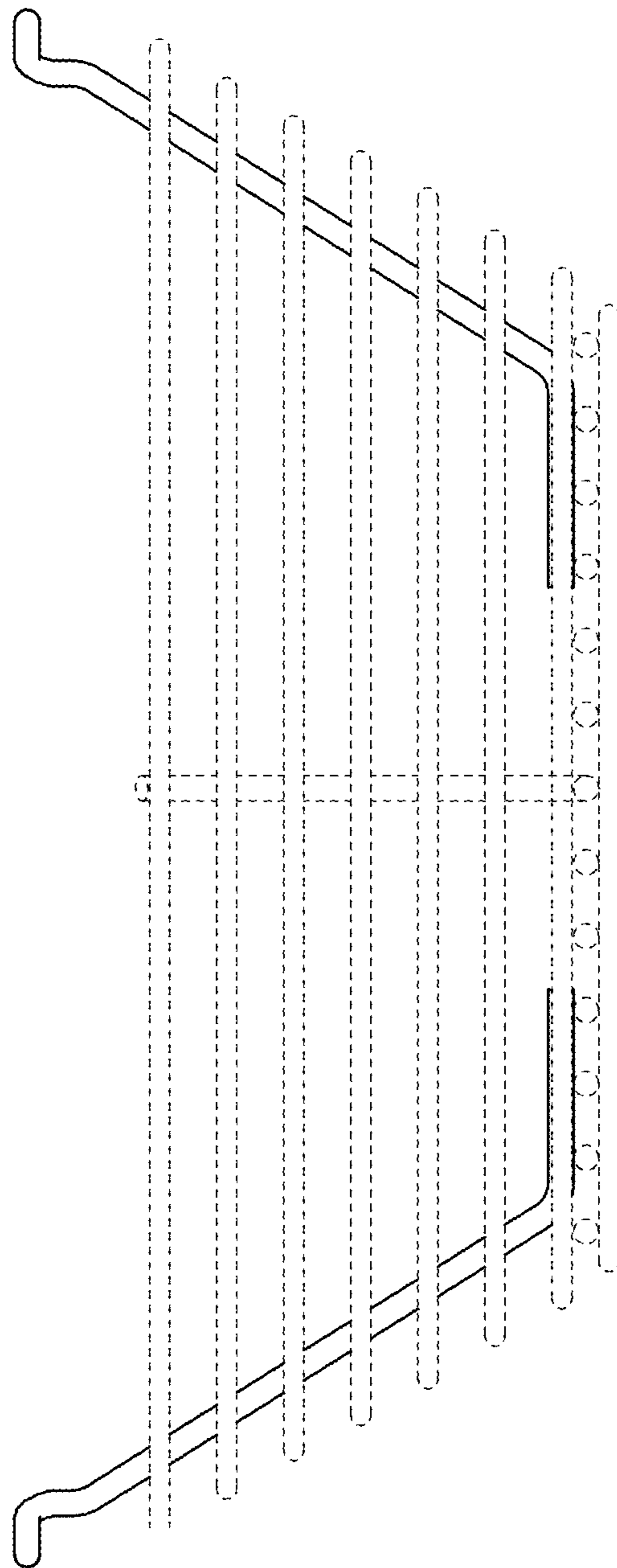


FIGURE 5