

US00D866181S

(12) **United States Design Patent** (10) **Patent No.:** **US D866,181 S**  
**Flamand et al.** (45) **Date of Patent:** **\*\* Nov. 12, 2019**

- (54) **ROLLAWAY TOOLBOX**
- (71) Applicant: **ROUSSEAU MÉTAL INC.**, Quebec (CA)
- (72) Inventors: **David Flamand**, Quebec (CA); **Serge Bisson**, Quebec (CA)
- (73) Assignee: **ROUSSEAU MÉTAL INC.**, Quebec (CA)
- (\*\*) Term: **15 Years**
- (21) Appl. No.: **29/614,301**
- (22) Filed: **Aug. 17, 2017**
- (51) **LOC (12) Cl.** ..... **03-01**
- (52) **U.S. Cl.**  
 USPC ..... **D3/279**; D34/19; D6/671; D6/671.1
- (58) **Field of Classification Search**  
 USPC ..... D3/273, 279, 283, 296, 297, 905;  
 D6/652, 654, 654.1, 654.17, 655, 655.1,  
 D6/655.11, 655.13, 655.14, 655.17,  
 D6/655.18, 656, 656.12, 656.13, 656.15,  
 D6/656.16, 656.17, 656.19, 671, 671.1,  
 D6/675, 684, 686, 687, 688, 691, 698,  
 D6/707.19, 708.21; D34/12, 19, 20  
 CPC .. A47B 3/00; A47B 3/08; A47B 3/083; A47B  
 3/087; A47B 21/00; A47B 21/02; A47B  
 21/03; A47B 21/06; A47B 21/0073; A47B  
 21/0076; A47B 21/0314  
 See application file for complete search history.

- (56) **References Cited**
- U.S. PATENT DOCUMENTS
- |              |         |          |       |        |
|--------------|---------|----------|-------|--------|
| D205,523 S * | 8/1966  | Doman    | ..... | D34/19 |
| D211,716 S * | 7/1968  | Roloson  | ..... | D34/19 |
| D283,263 S * | 4/1986  | Richey   | ..... | D34/19 |
| D292,937 S * | 11/1987 | Richey   | ..... | D34/19 |
| D387,926 S * | 12/1997 | Blaesing | ..... | D6/671 |

- |              |         |         |       |          |
|--------------|---------|---------|-------|----------|
| D444,930 S * | 7/2001  | Brown   | ..... | D34/12   |
| D584,903 S * | 1/2009  | Hand    | ..... | D3/297   |
| D586,163 S * | 2/2009  | Hand    | ..... | D6/705.5 |
| D605,438 S * | 12/2009 | Hand    | ..... | D3/297   |
| D608,109 S * | 1/2010  | Hand    | ..... | D3/297   |
| D644,037 S * | 8/2011  | Koehn   | ..... | D6/671   |
| D732,858 S * | 6/2015  | Troyner | ..... | D6/671.1 |
| D812,374 S * | 3/2018  | Tilk    | ..... | D3/273   |

**OTHER PUBLICATIONS**

Montezuma, posted at Amazon.com, posted on Nov. 30, 2011, site visited Feb. 19, 2019. online, available from internet: <https://www.amazon.com/Montezuma-Tool-Box-17-Drawer-Construction/dp/B008YLH1WC> (Year: 2011).\*

(Continued)

*Primary Examiner* — Mary Ann Calabrese  
*Assistant Examiner* — Catherine Ho  
 (74) *Attorney, Agent, or Firm* — Muirhead and Saternelli, LLC

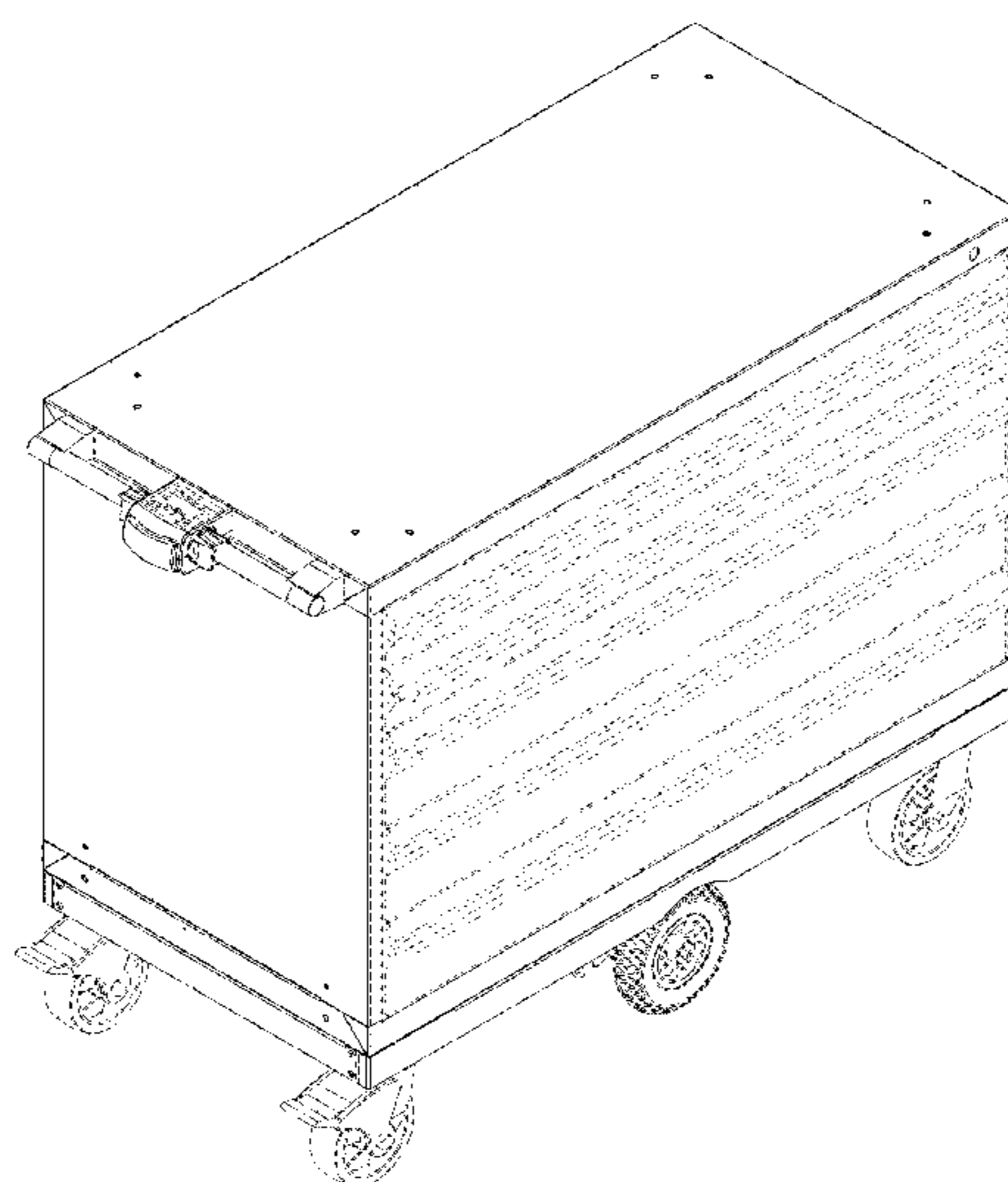
(57) **CLAIM**

The ornamental design for a rollaway toolbox, as shown and described.

**DESCRIPTION**

FIG. 1 is a perspective view of a rollaway toolbox showing the new design.  
 FIG. 2 is a front view thereof.  
 FIG. 3 is a rear view thereof.  
 FIG. 4 is a left side view thereof.  
 FIG. 5 is a right side view thereof.  
 FIG. 6 is a top plan view thereof; and,  
 FIG. 7 is a bottom plan view thereof.  
 The broken line portion of the figure drawings is included to show portions of the article that form no part of the claimed design.

**1 Claim, 7 Drawing Sheets**



(56)

**References Cited**

OTHER PUBLICATIONS

Milwaukee, posted at Amazon.com, posted on Jan. 14, 2017, site visited Feb. 19, 2019. online, available from internet: <https://www.amazon.com/dp/B06VSY2WPT> (Year: 2017).\*

Tech Series, posted at Amazon.com, posted on Aug. 28, 2017, site visited Feb. 19, 2019. online, available from internet: <https://www.amazon.com/Tech-5-Drawer-Roller-Cabinet-Tool/dp/B07GTPNPKS> (Year: 2017).\*

Electro Kinetic Technologies, "Motorized Tool Carts: A Safer Fix for Heavy Loads," <http://www.ek-tech.com/motorized-tool-carts-safer-fix-heavy-loads/>, Mar. 15, 2017, 3pps.

\* cited by examiner

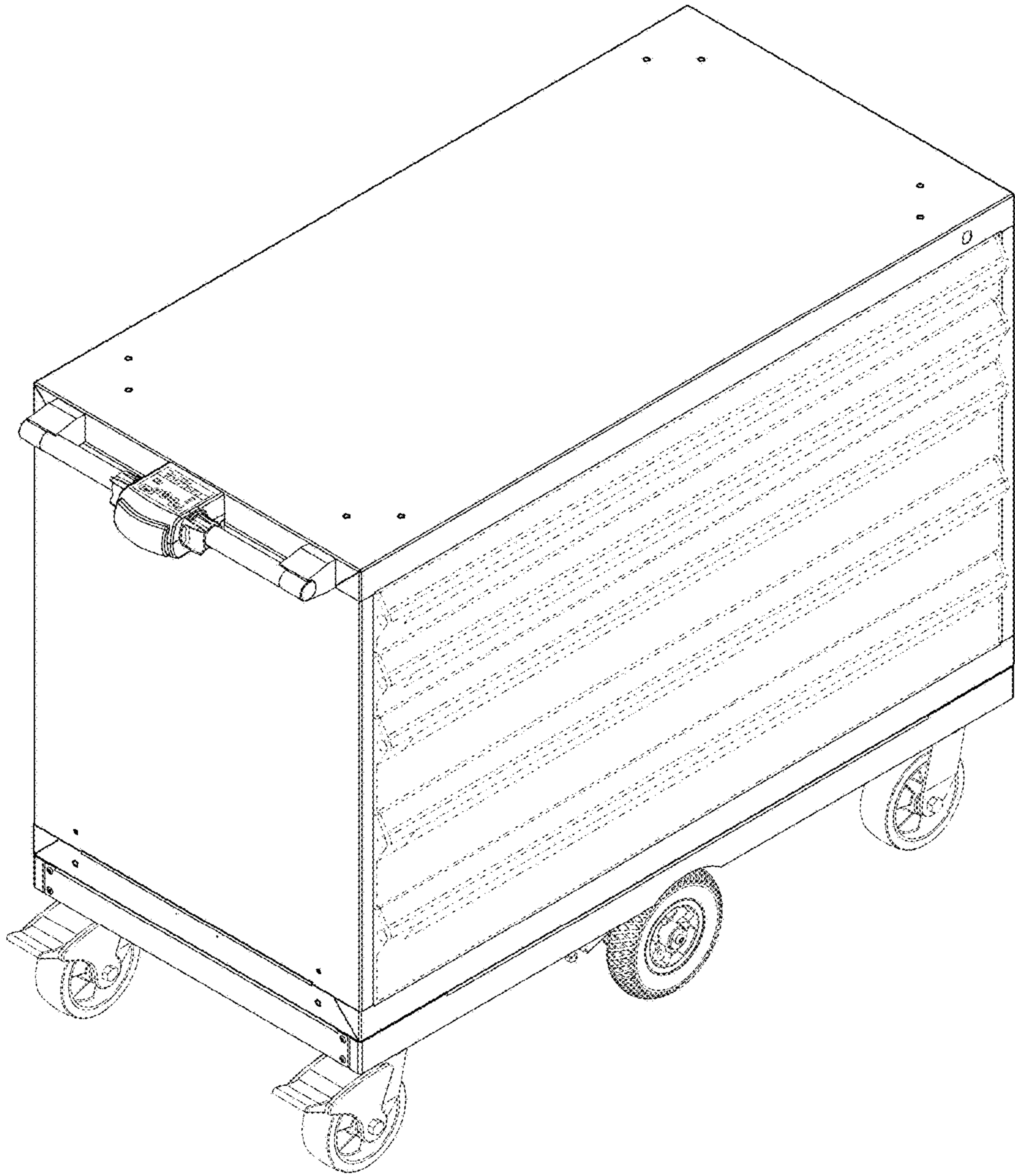


FIG. 1

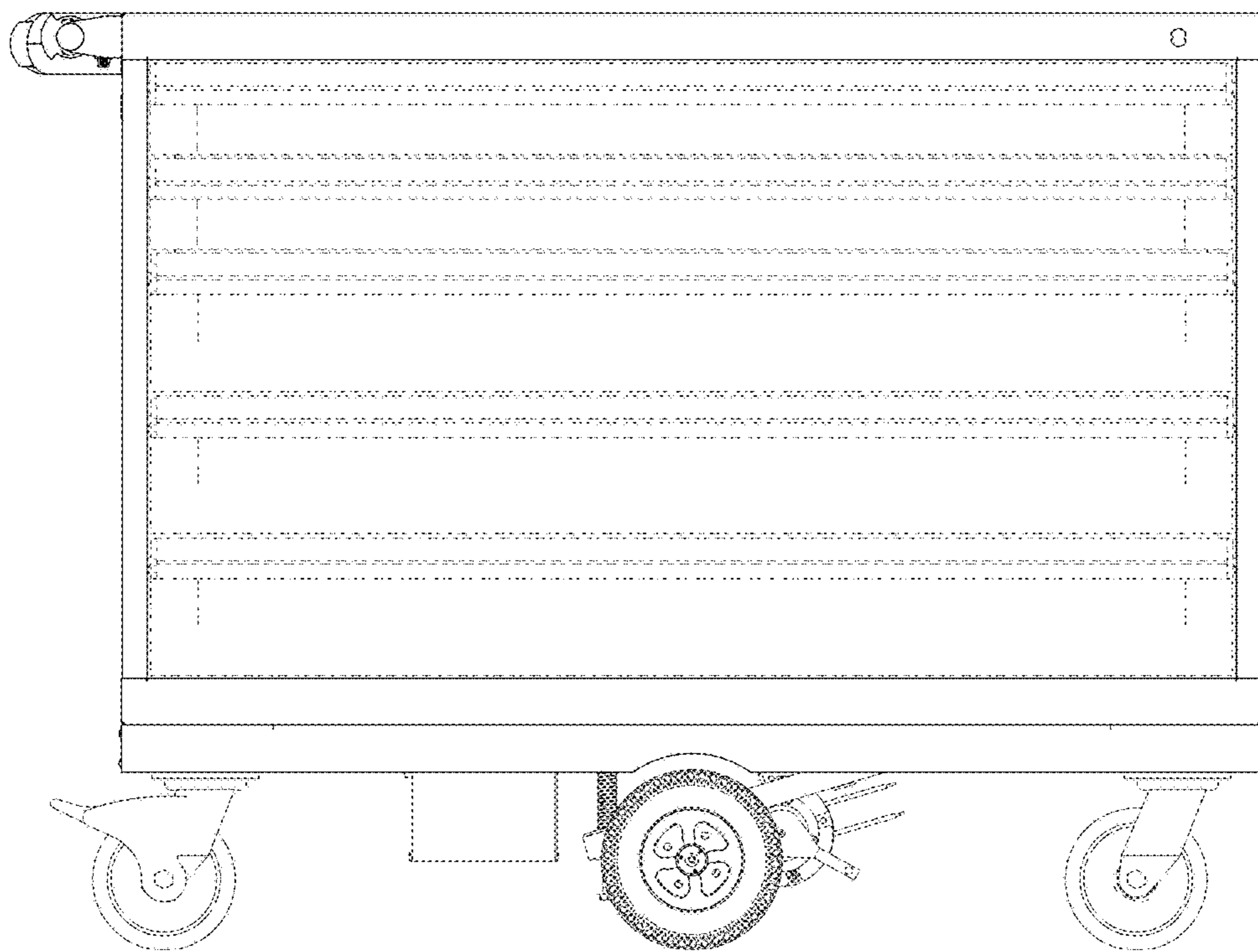


FIG. 2

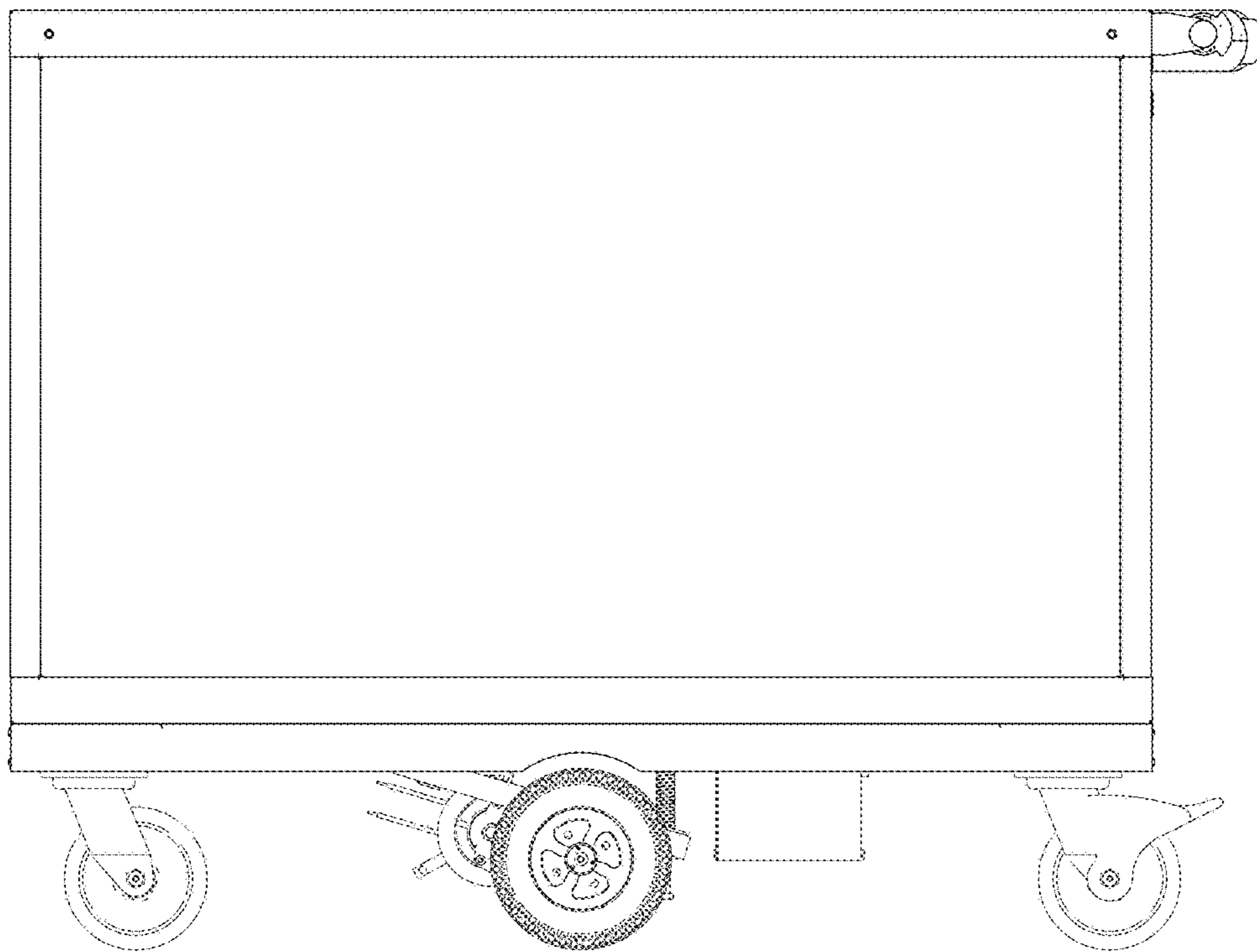


FIG. 3

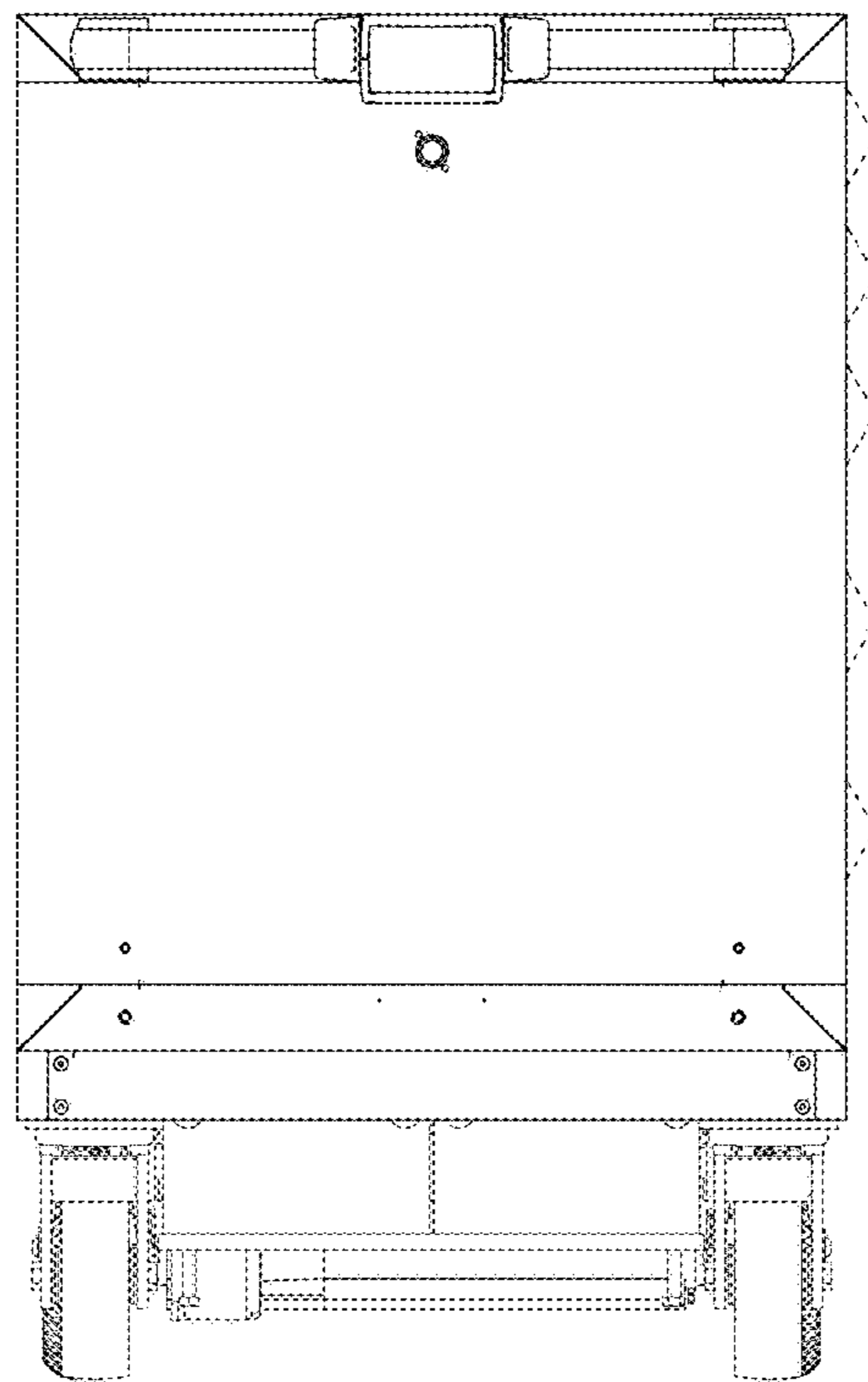


FIG. 4

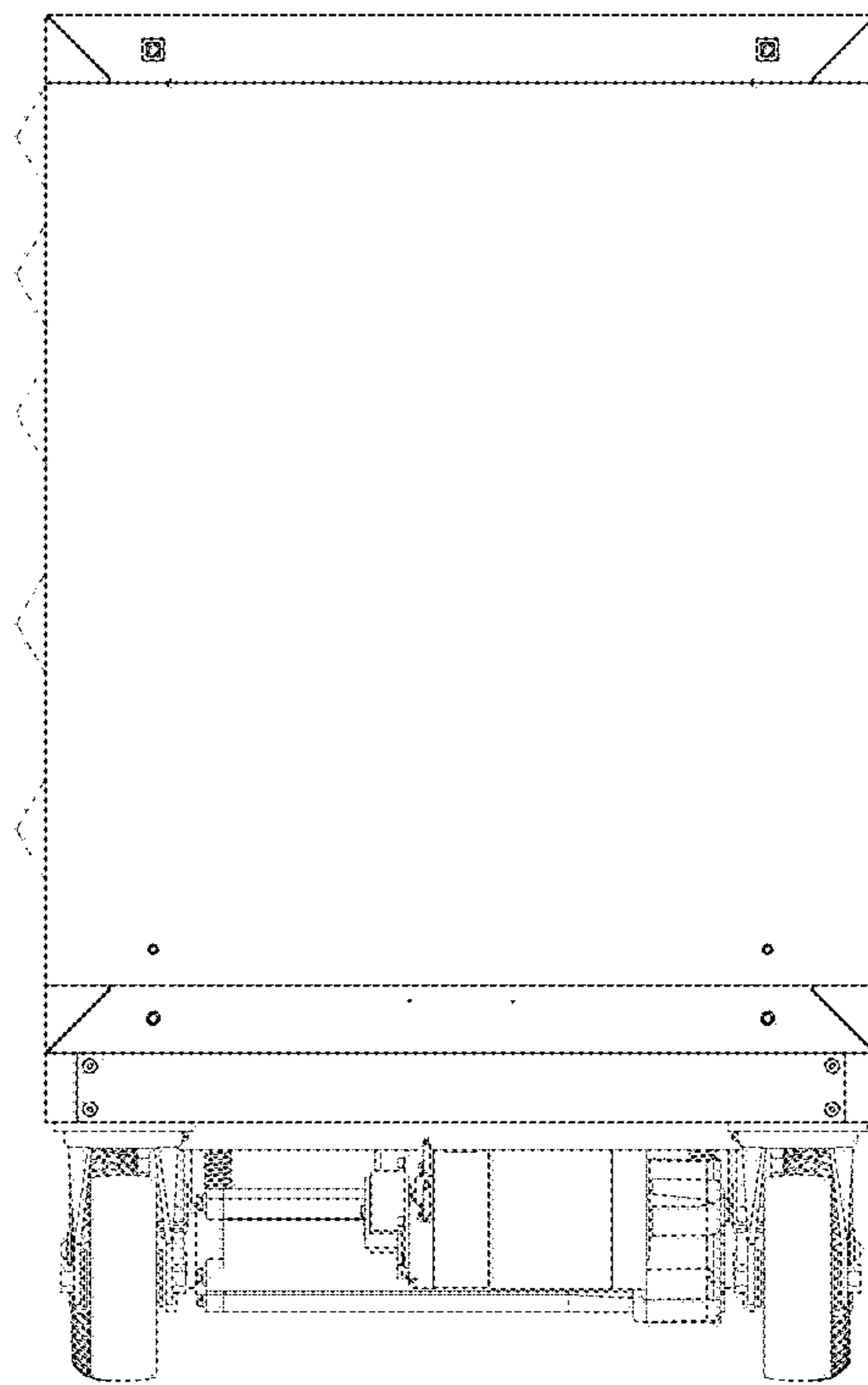


FIG. 5



FIG. 6



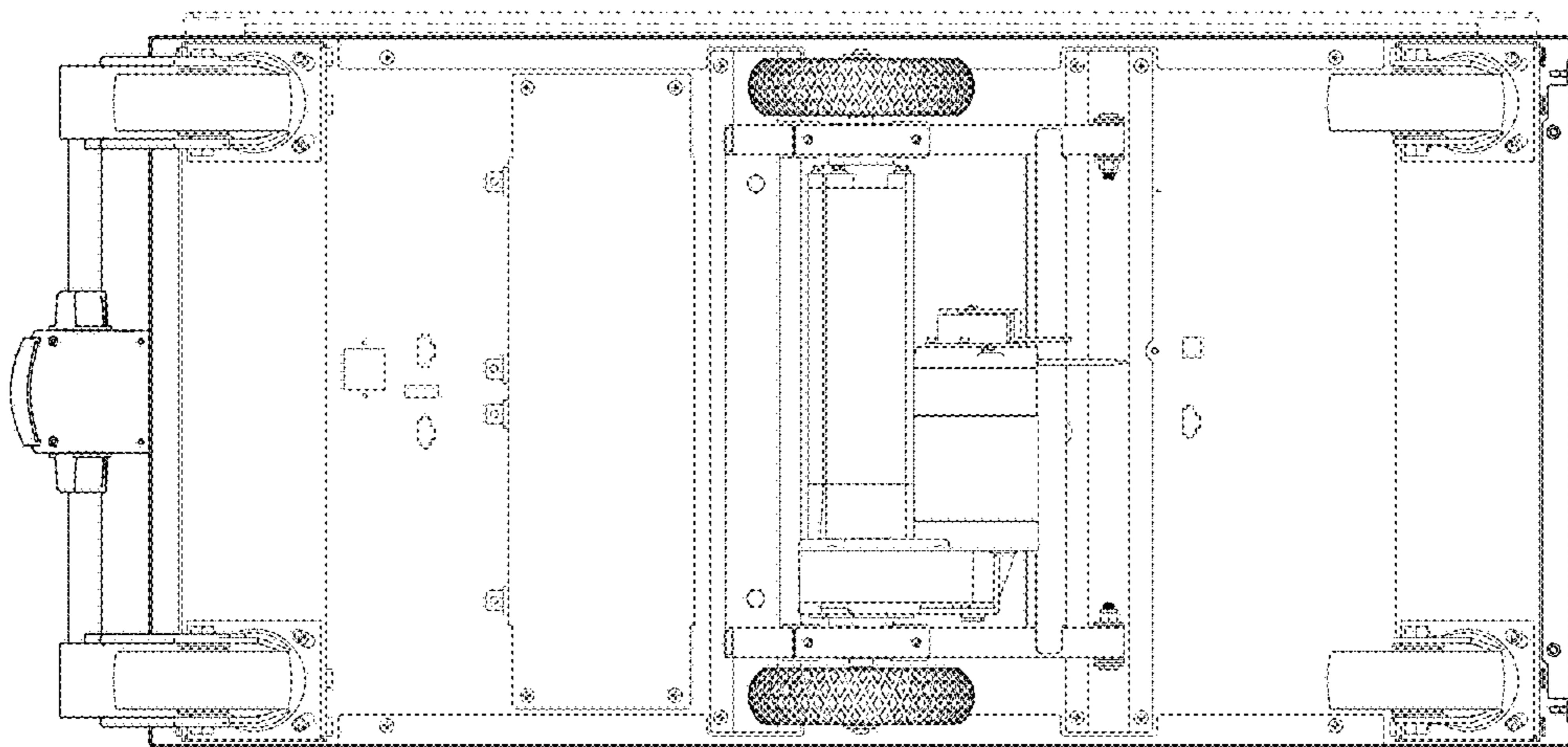


FIG. 7