

US00D866179S

(12) **United States Design Patent** (10) **Patent No.:** **US D866,179 S**
Zhao (45) **Date of Patent:** **** Nov. 12, 2019**

(54) **MOBILE TELEPHONE COVER**

(71) Applicant: **Jing Zhao**, Guangdong (CN)

(72) Inventor: **Jing Zhao**, Guangdong (CN)

(**) Term: **15 Years**

(21) Appl. No.: **29/694,572**

(22) Filed: **Jun. 12, 2019**

(51) **LOC (12) Cl.** **03-01**

(52) **U.S. Cl.**
USPC **D3/249; D14/250**

(58) **Field of Classification Search**
USPC D3/247, 249-253; D14/250
CPC ... A45C 11/00; A45C 13/02; A45F 2005/026;
A45F 2200/0525; A45F 2200/0516
See application file for complete search history.

(56) **References Cited**

U.S. PATENT DOCUMENTS

D707,217 S	6/2014	Toulotte	
D741,310 S	10/2015	Bertrand et al.	
D755,168 S *	5/2016	Kim	D14/250
D786,231 S	5/2017	Dowless	
D793,082 S *	8/2017	Zhang	D3/249
D793,725 S *	8/2017	Zhang	D3/249
D793,726 S *	8/2017	Zhang	D3/249
D809,497 S *	2/2018	Kim	D14/250
D814,185 S *	4/2018	Liu	D3/249

* cited by examiner

Primary Examiner — Holly H Baynham

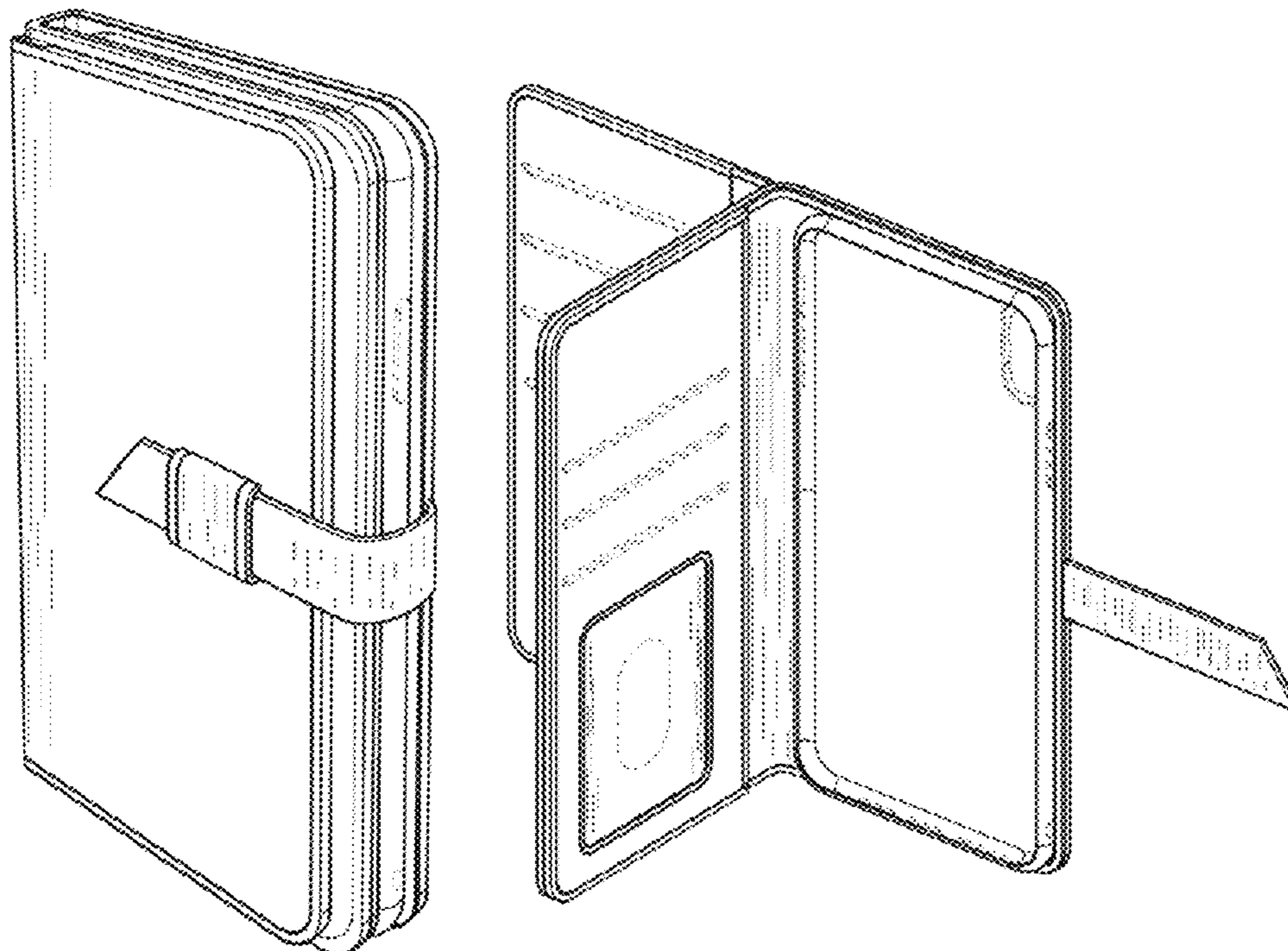
(57) **CLAIM**

The ornamental design for a mobile telephone cover, as shown and described.

DESCRIPTION

FIG. 1 is a perspective view of a mobile telephone cover showing my new design;
 FIG. 2 is a front view thereof;
 FIG. 3 is a back view thereof;
 FIG. 4 is a left side view thereof;
 FIG. 5 is a right side view thereof;
 FIG. 6 is an enlarged, top view thereof; FIG. 2 is an exploded side view thereof, shown detached for clarity of illustration;
 FIG. 7 is a reduced scale, perspective view of an unfolding state of the mobile telephone cover.
 FIG. 8 is a top view thereof;
 FIG. 9 is a bottom view thereof;
 FIG. 10 is a front view of another unfolding state of the mobile telephone cover;
 FIG. 11 is a back view thereof;
 FIG. 12 is a front view of further another unfolding state of the mobile telephone cover;
 FIG. 13 is a perspective view of further another unfolding state of the mobile telephone cover; and,
 FIG. 14 is a perspective view of further another unfolding state of the mobile telephone cover.
 The broken lines shown in the drawings depict portions of the mobile telephone cove in which the design is embodied that form no part of the claimed design.

1 Claim, 14 Drawing Sheets



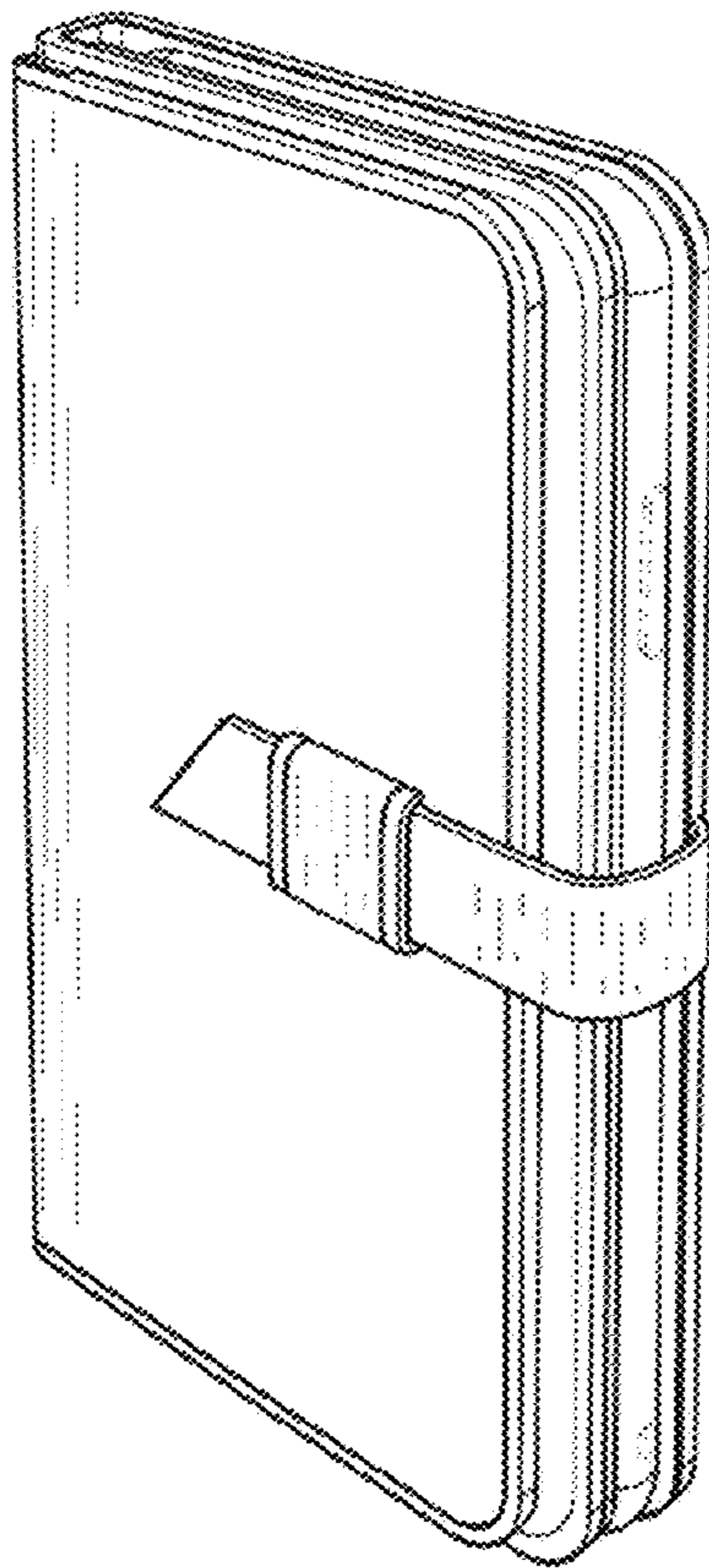


FIG. 1

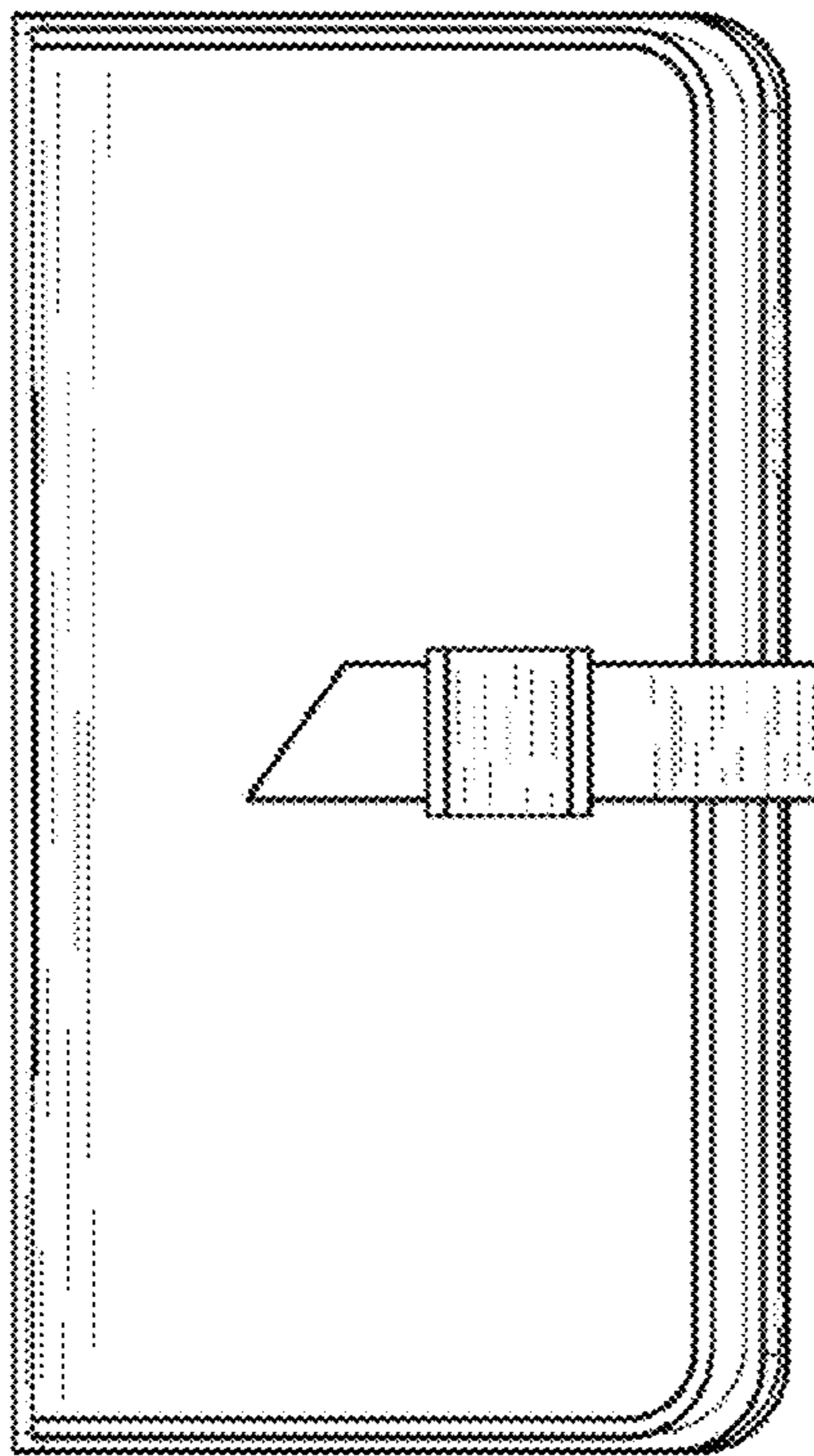


FIG. 2

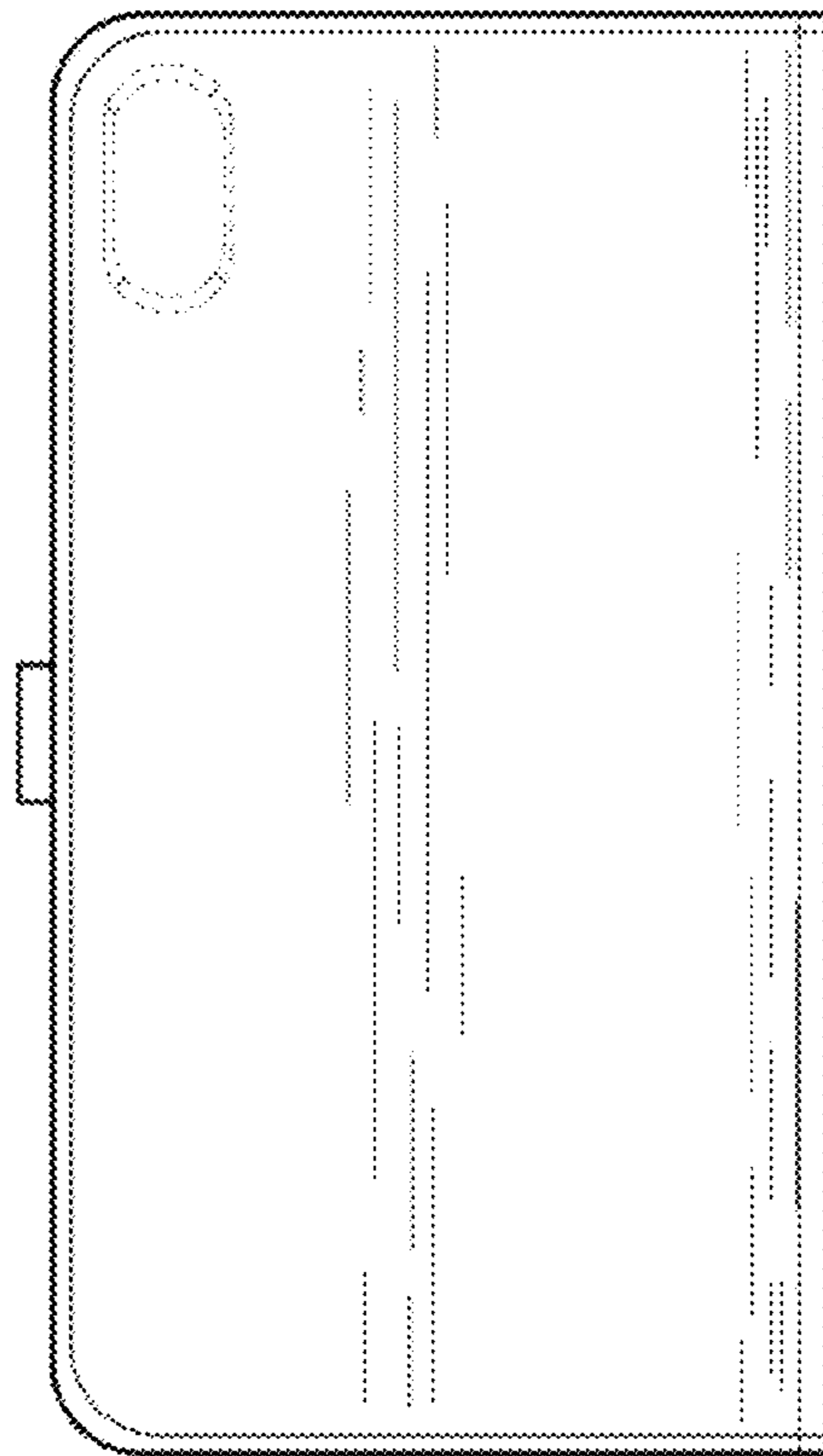


FIG. 3



FIG. 4

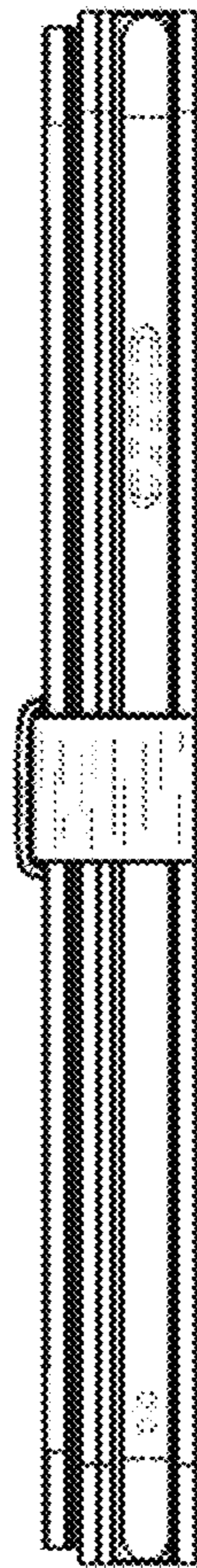


FIG. 5

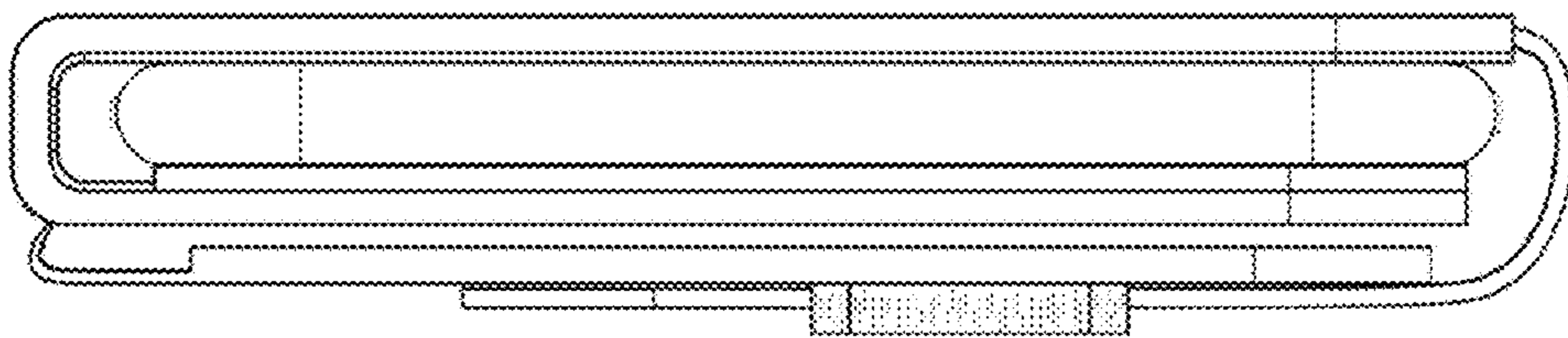


FIG. 6

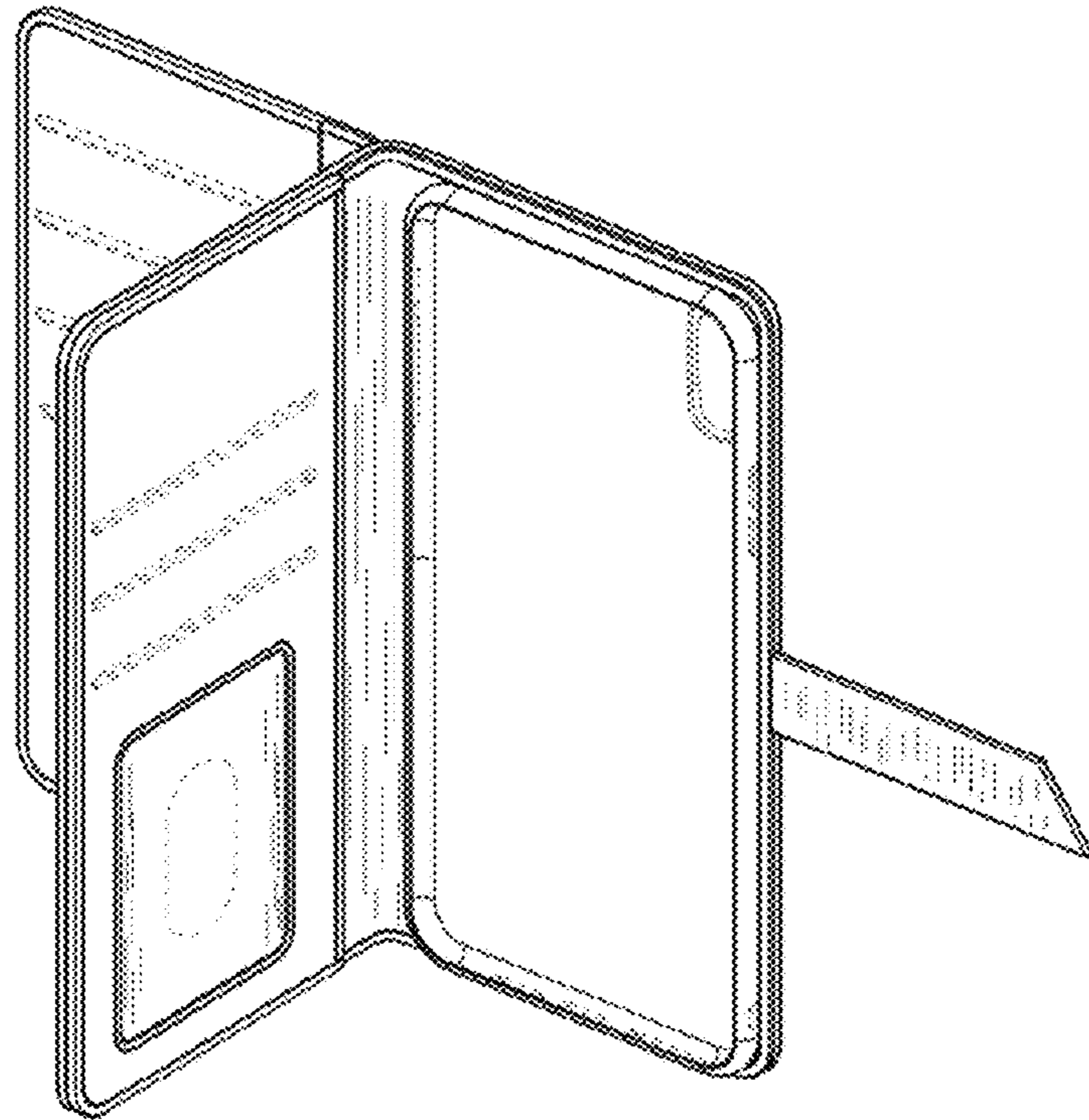


FIG. 7

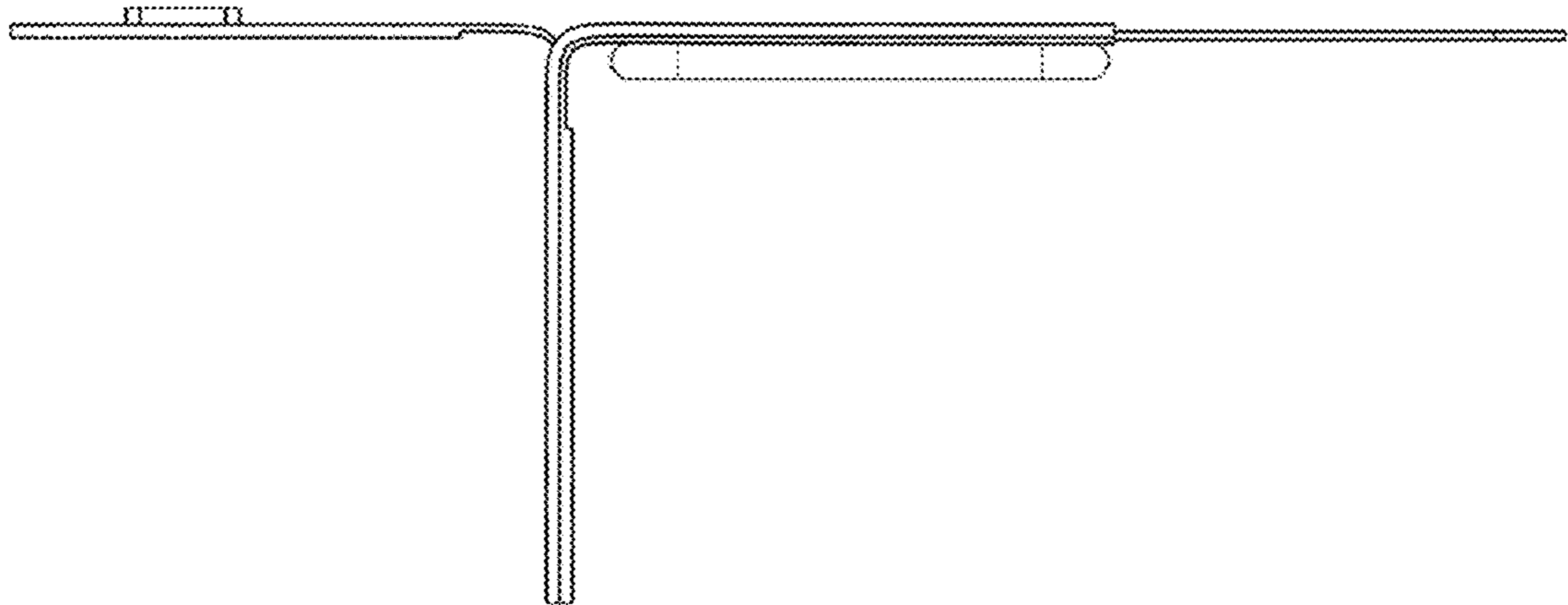


FIG. 8

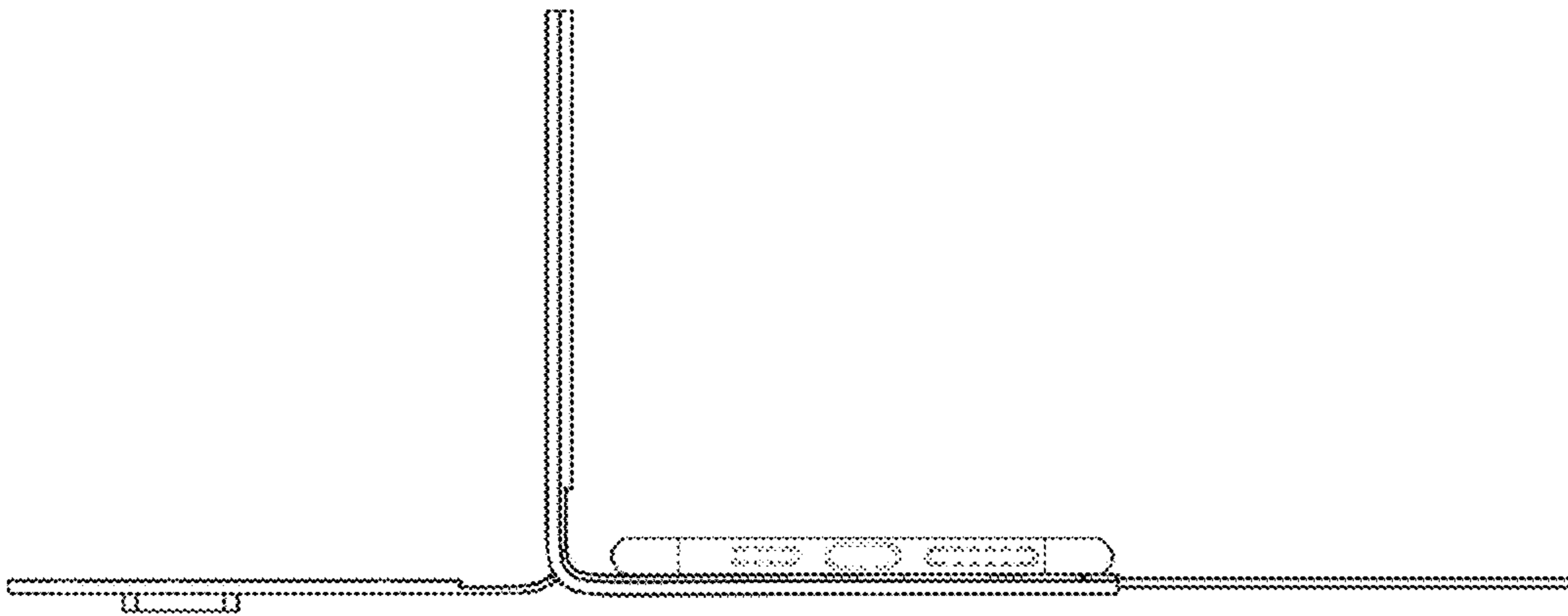


FIG. 9

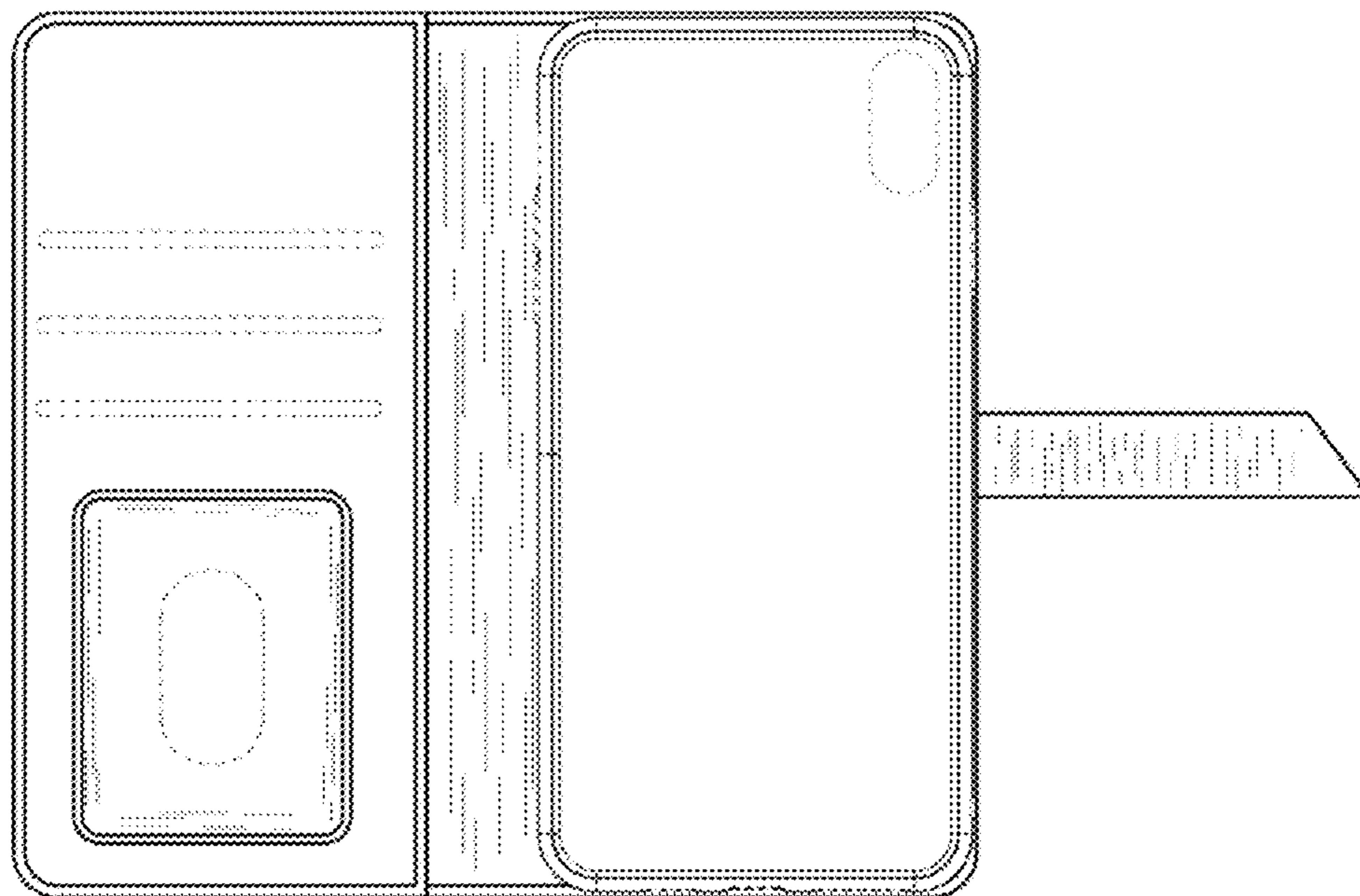


FIG. 10

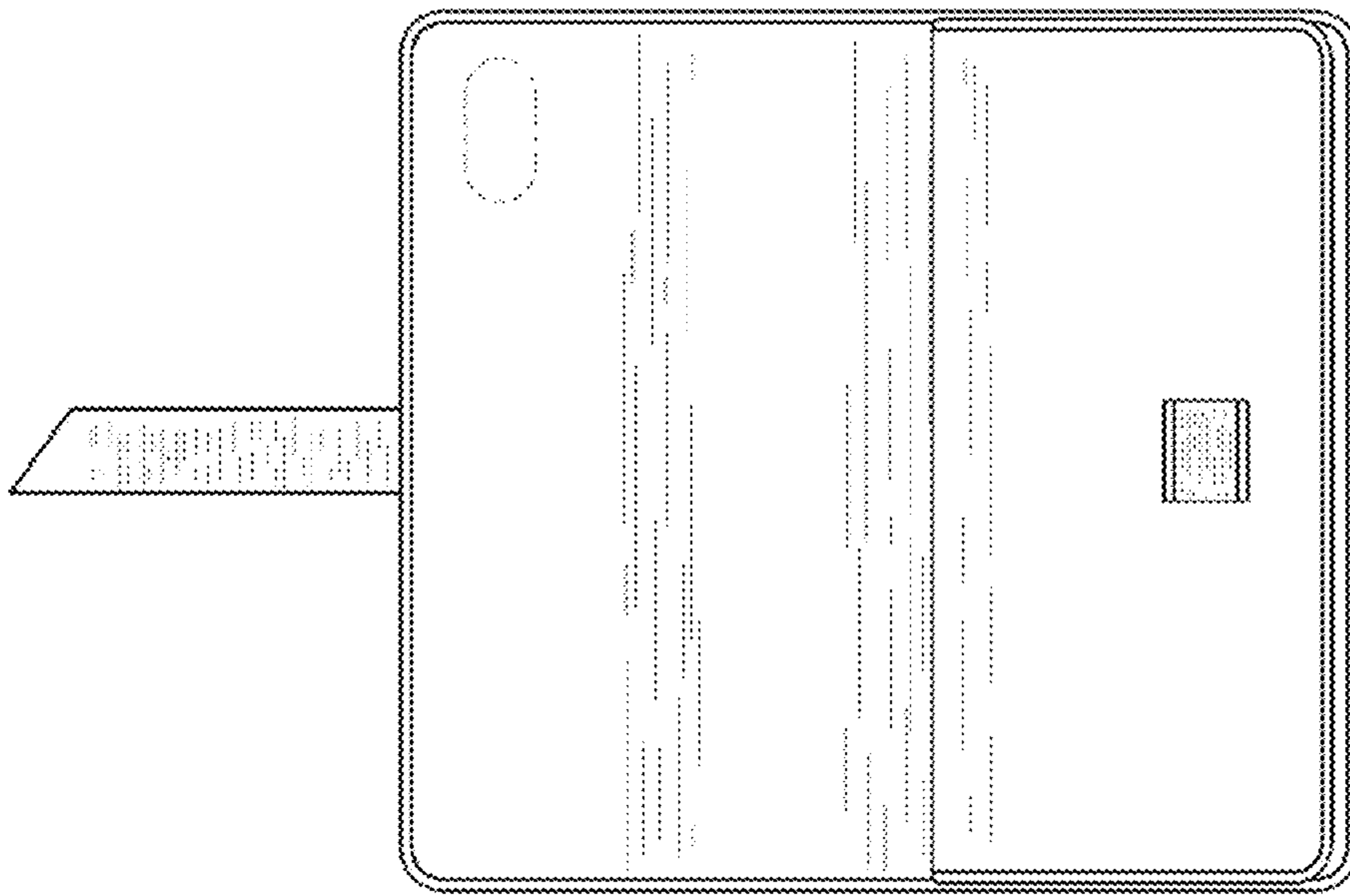


FIG. 11

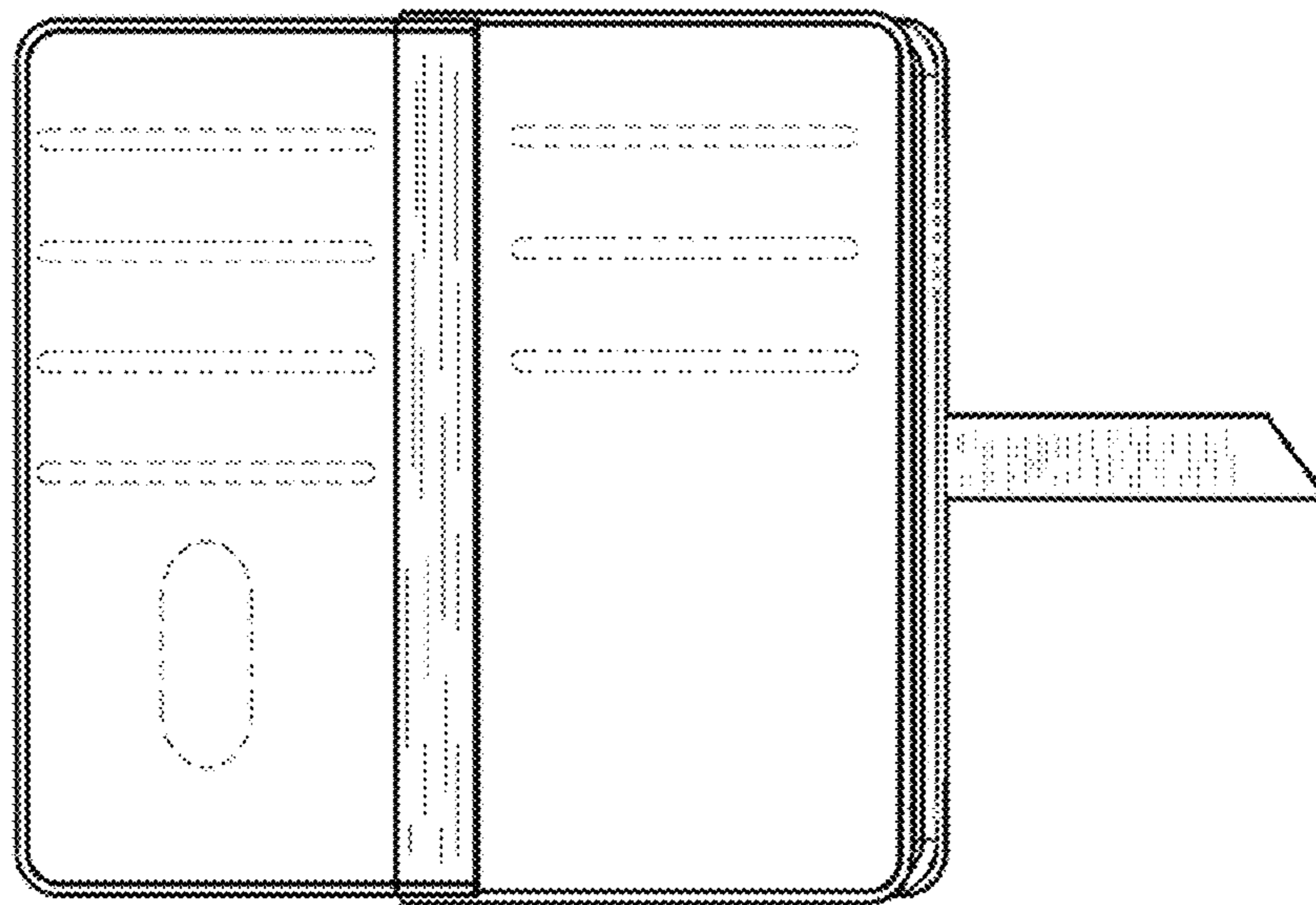


FIG. 12

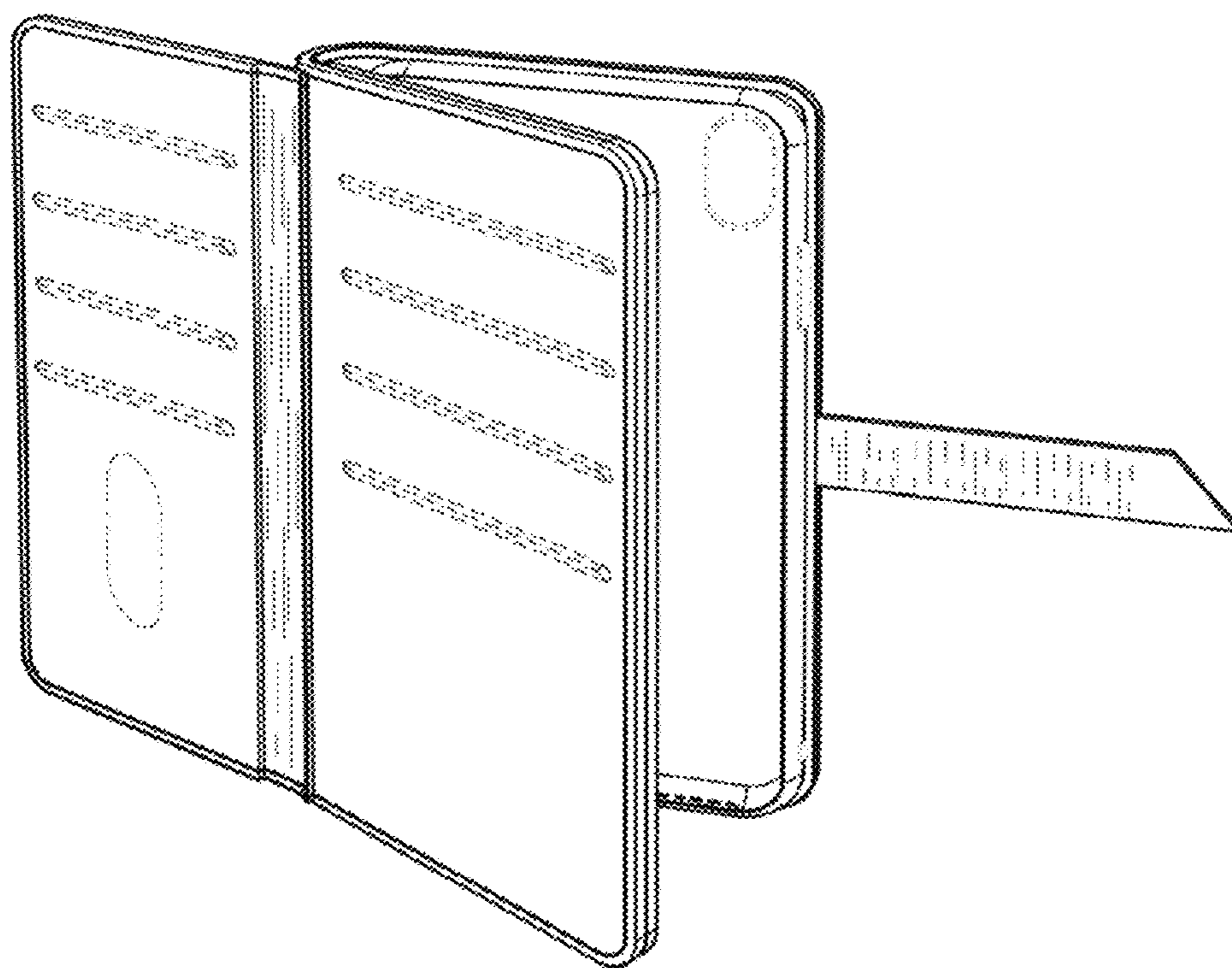


FIG. 13

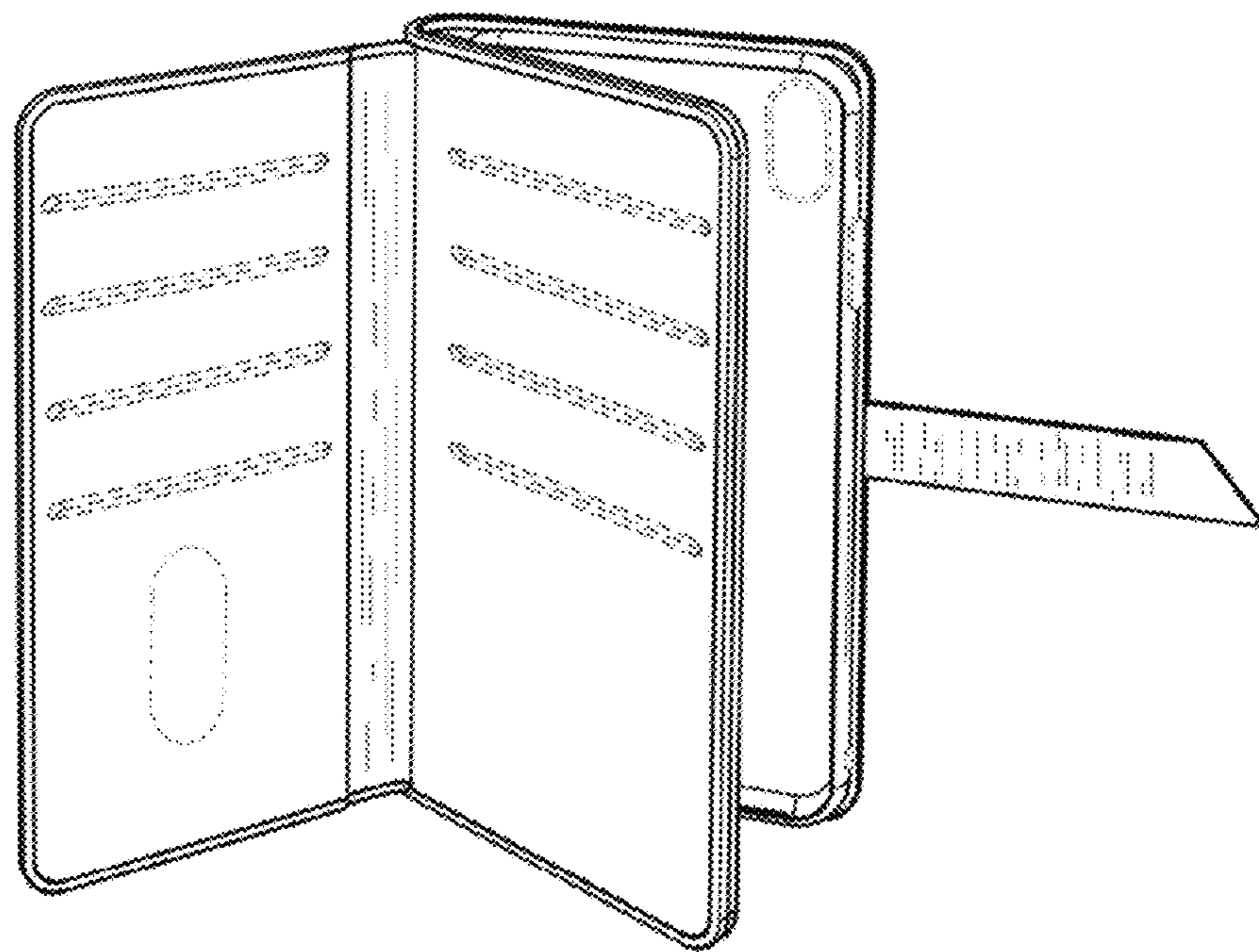


FIG. 14