



US00D866172S

(12) **United States Design Patent** (10) **Patent No.:** **US D866,172 S**
Vaccarello (45) **Date of Patent:** **** Nov. 12, 2019**

(54) **BAG**
(71) Applicant: **YVES SAINT LAURENT**, Paris (FR)
(72) Inventor: **Anthony Vaccarello**, Paris (FR)
(73) Assignee: **YVES SAINT LAURENT**, Paris (FR)
(**) Term: **15 Years**
(21) Appl. No.: **29/674,320**
(22) Filed: **Dec. 20, 2018**

(30) **Foreign Application Priority Data**
Dec. 4, 2018 (EM) 005843224-0001
Dec. 4, 2018 (EM) 005843224-0002
(51) **LOC (12) Cl.** **03-01**
(52) **U.S. Cl.**
USPC **D3/244**
(58) **Field of Classification Search**
USPC D3/232-233, 240-246
CPC A45C 1/024; A45C 3/06
See application file for complete search history.

(56) **References Cited**
U.S. PATENT DOCUMENTS
D433,567 S * 11/2000 Howard D3/244
D574,149 S * 8/2008 van der Poel D3/237

D604,505 S * 11/2009 Gerbi D3/244
D624,751 S * 10/2010 McLeod D3/244
D767,272 S * 9/2016 Gibson D3/244
D794,951 S * 8/2017 Gavriel D3/244

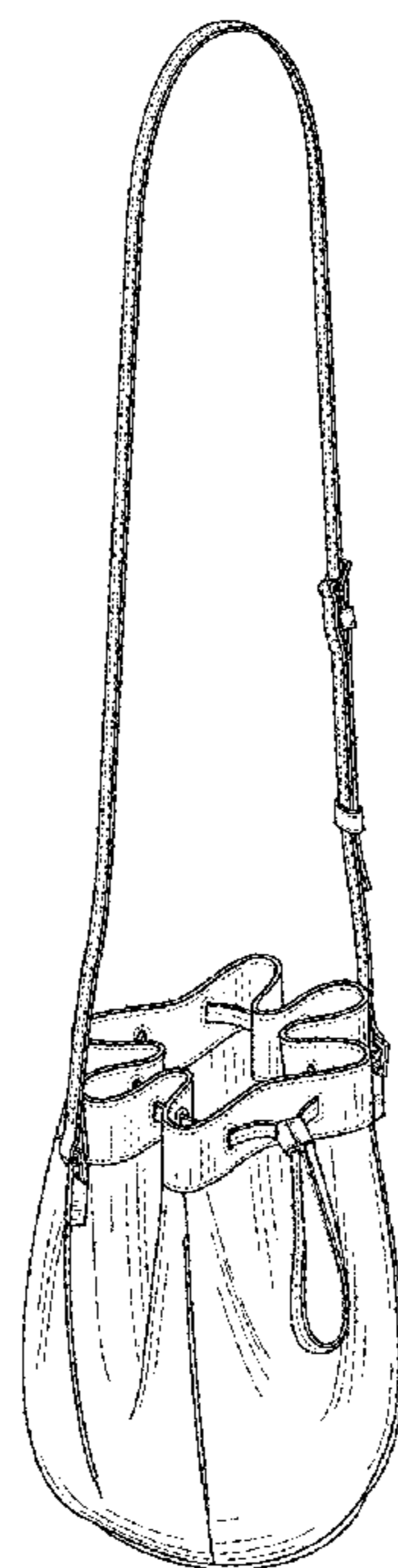
* cited by examiner
Primary Examiner — Holly H Baynham
(74) *Attorney, Agent, or Firm* — Donald J. Ranft; Collen

(57) **CLAIM**
The ornamental design for a bag, as shown and described.

DESCRIPTION

FIG. 1 is a first embodiment of a perspective view of a bag showing my new design;
FIG. 2 is a front view thereof;
FIG. 3 is a rear view thereof;
FIG. 4 is a right side view thereof;
FIG. 5 is a left side view thereof;
FIG. 6 is a top view thereof; and
FIG. 7 is a bottom view thereof.
FIG. 8 is a perspective view of a second embodiment of a bag showing my new design;
FIG. 9 is a front view thereof;
FIG. 10 is a rear view thereof;
FIG. 11 is a right side view thereof;
FIG. 12 is a left side view thereof;
FIG. 13 is a top view thereof; and
FIG. 14 is a bottom view thereof.
The portions of the bag shown in broken lines represent thread stitching and do form a part of the claimed design.

1 Claim, 8 Drawing Sheets



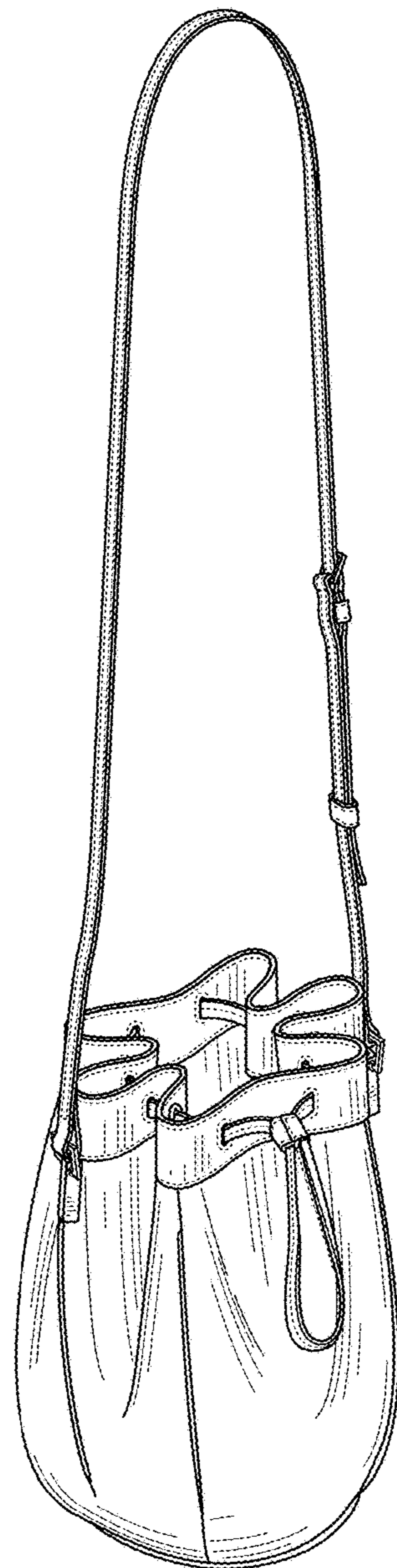


FIG. 1

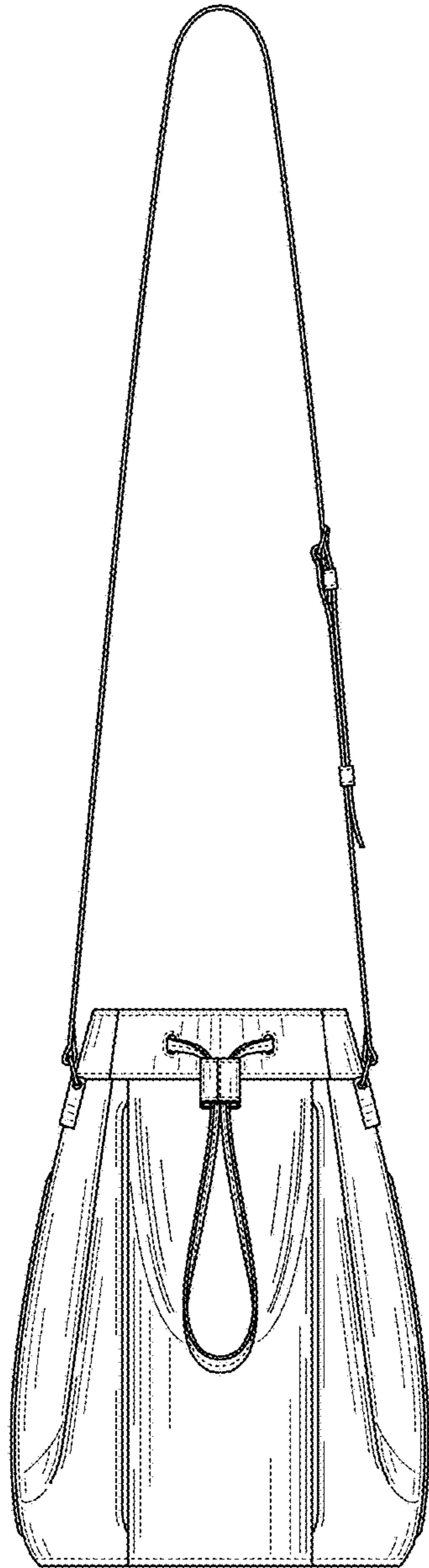


FIG. 2

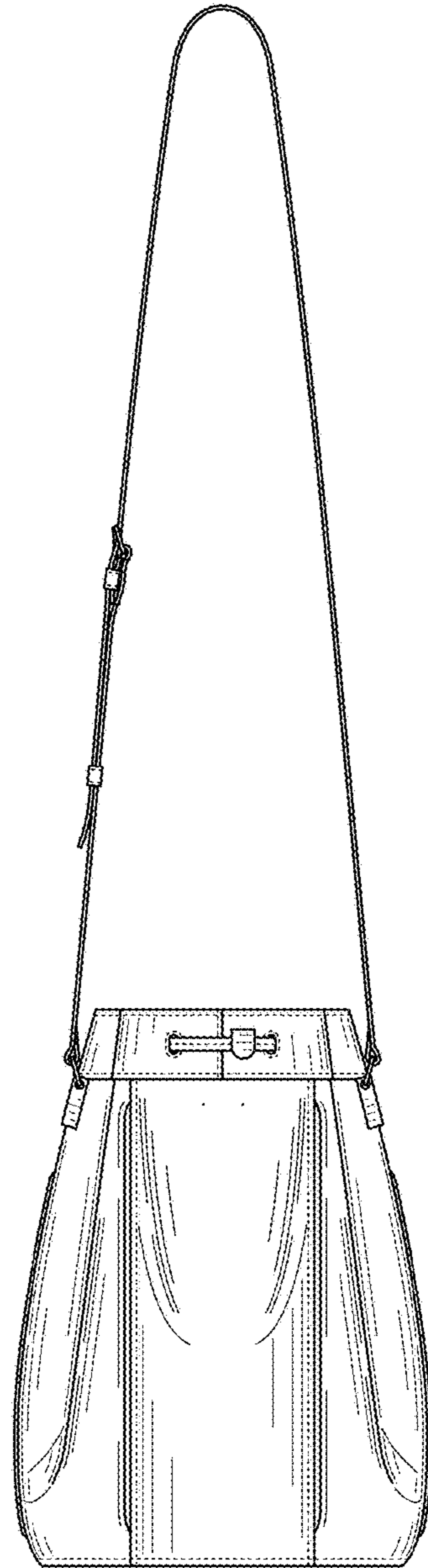


FIG. 3

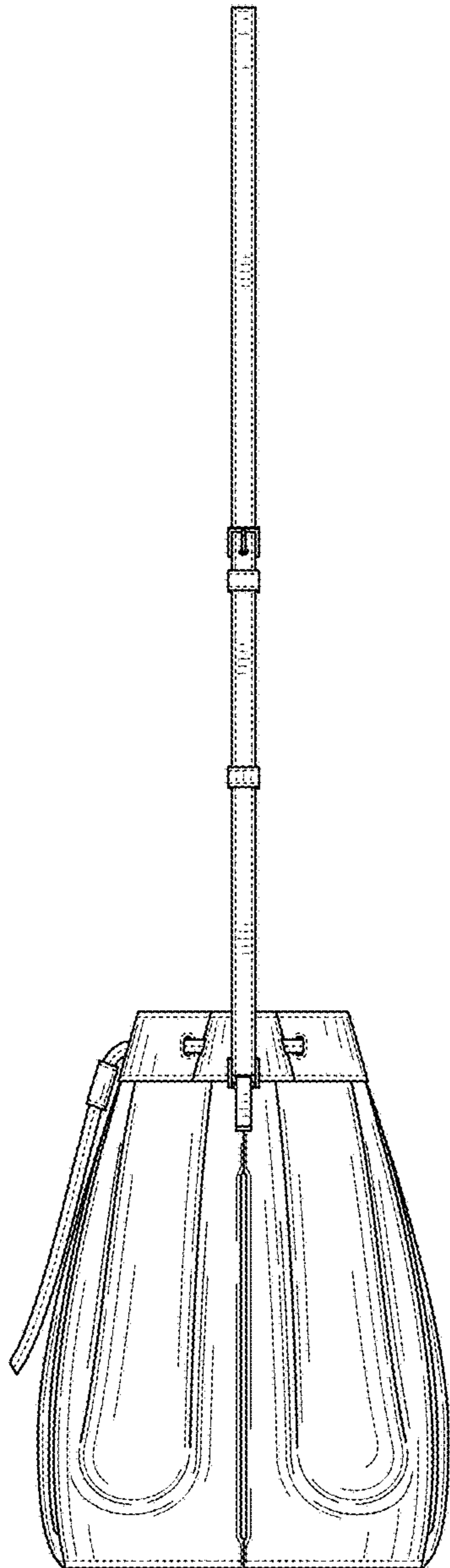


FIG. 4

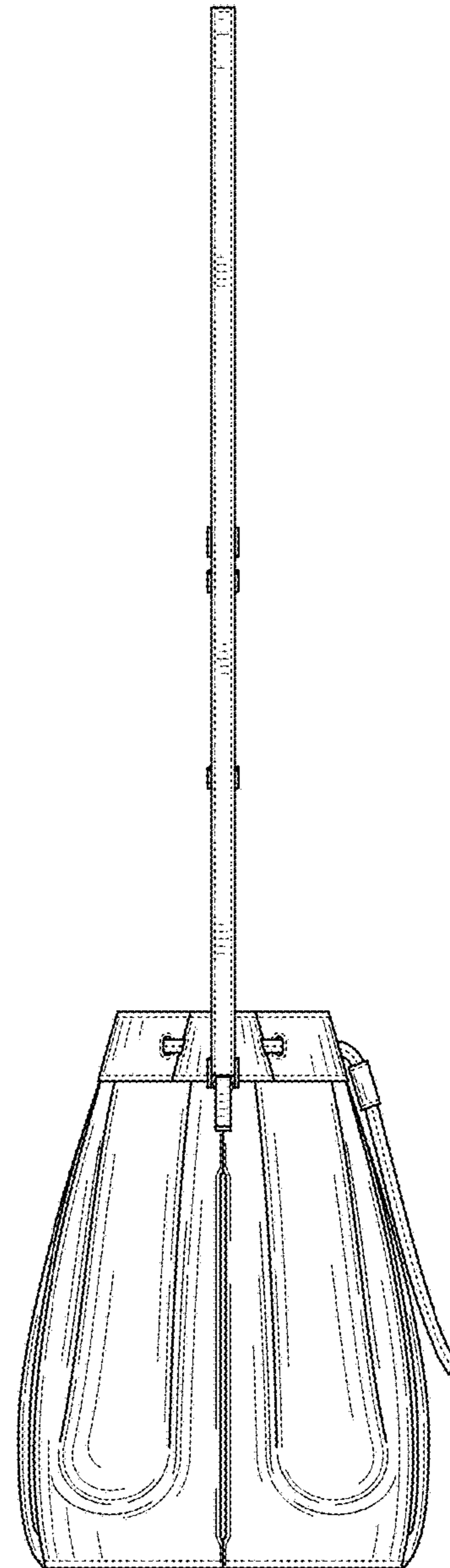


FIG. 5

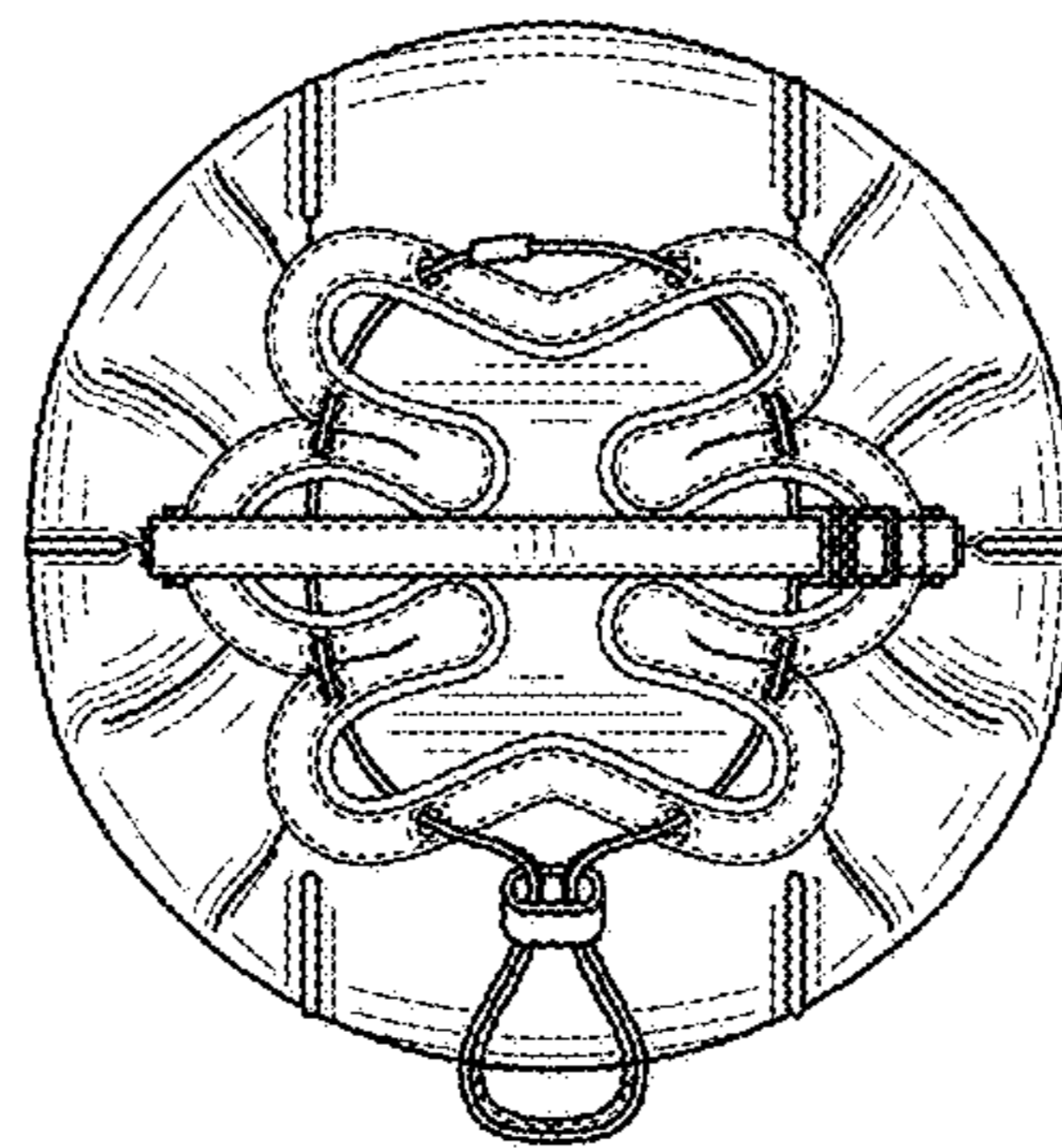


FIG. 6

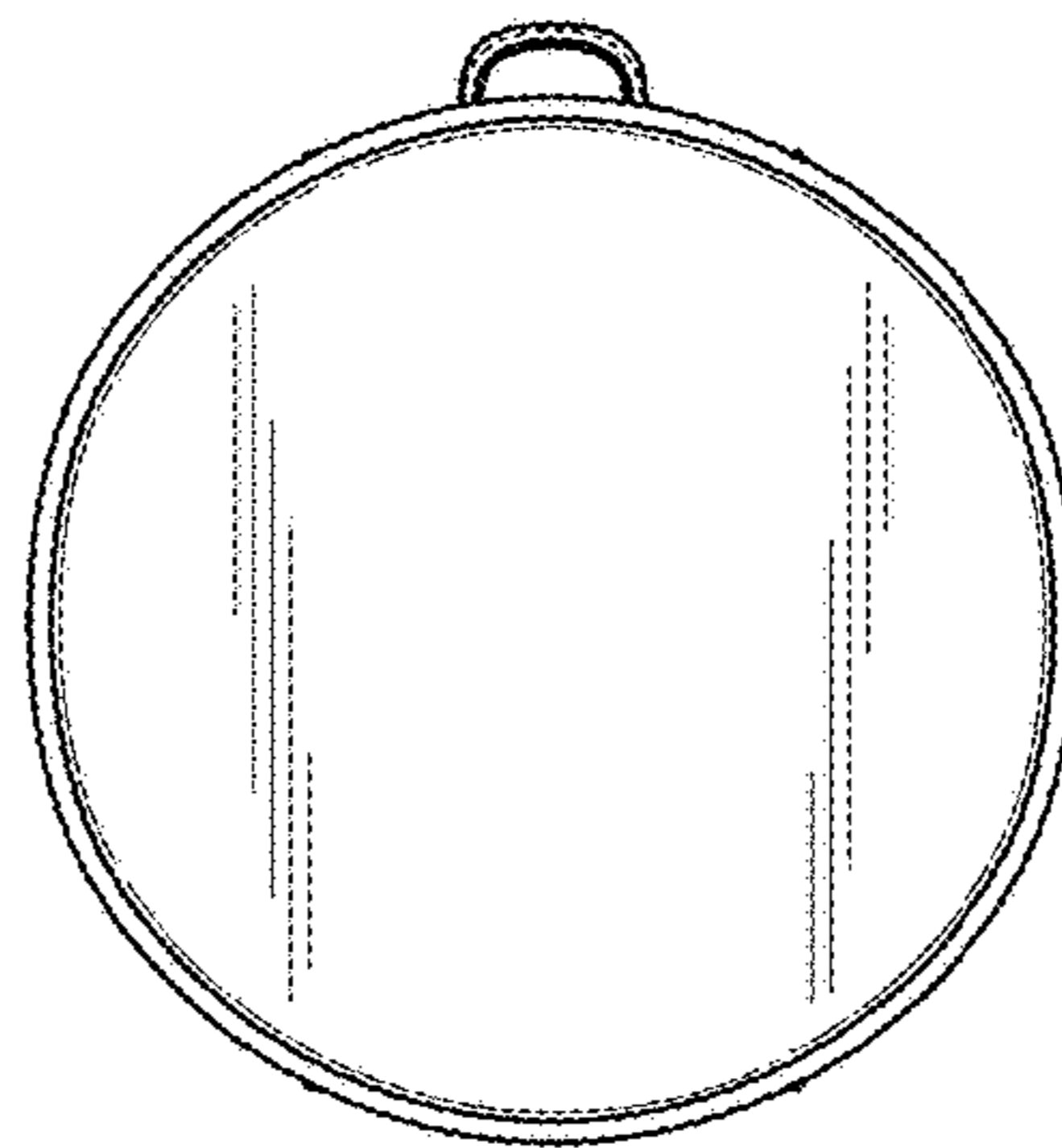


FIG. 7

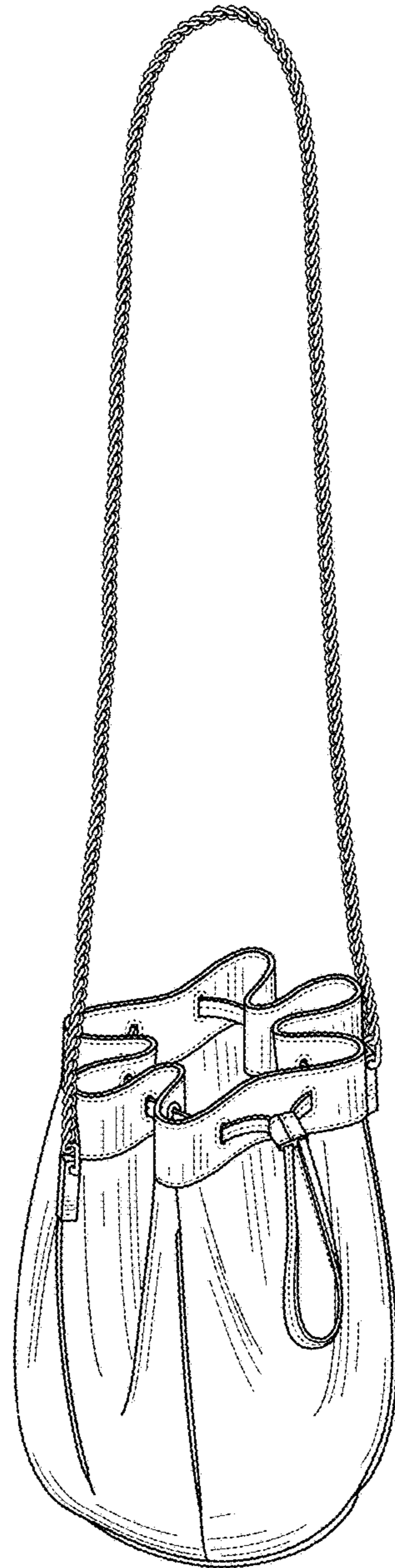


FIG. 8

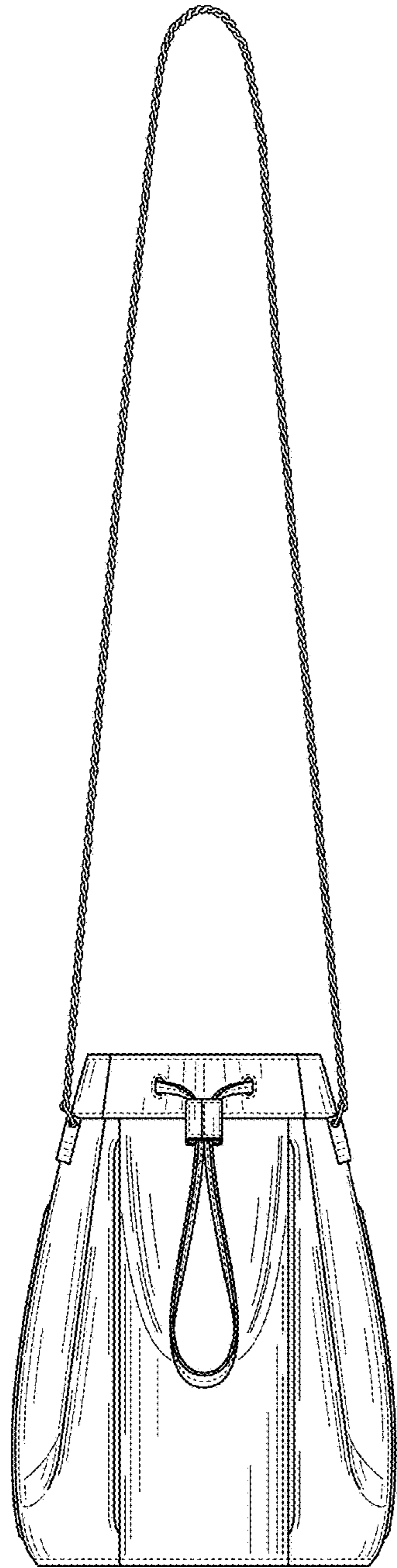


FIG. 9

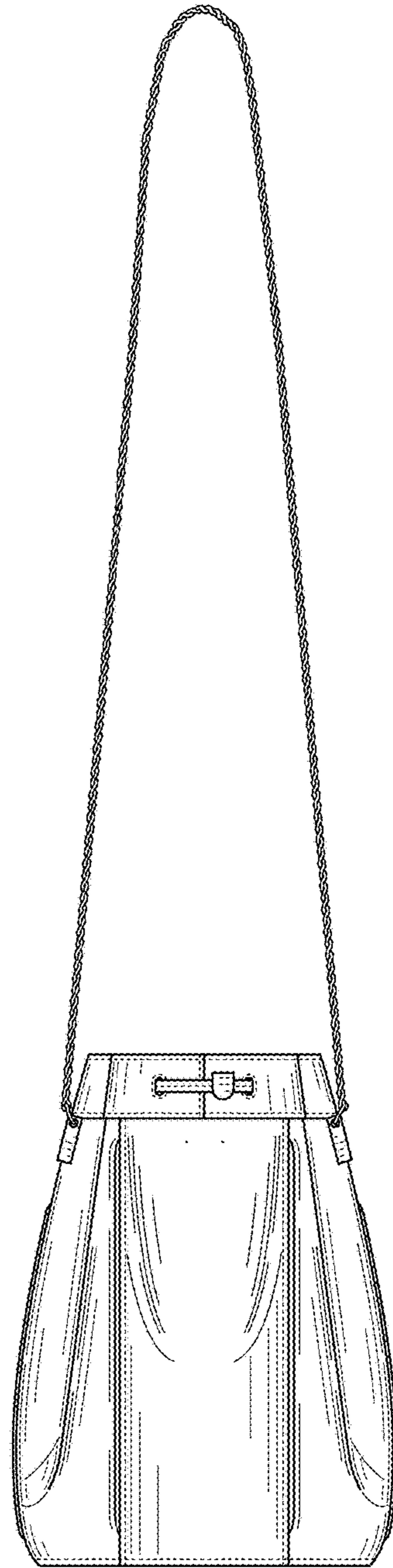


FIG. 10

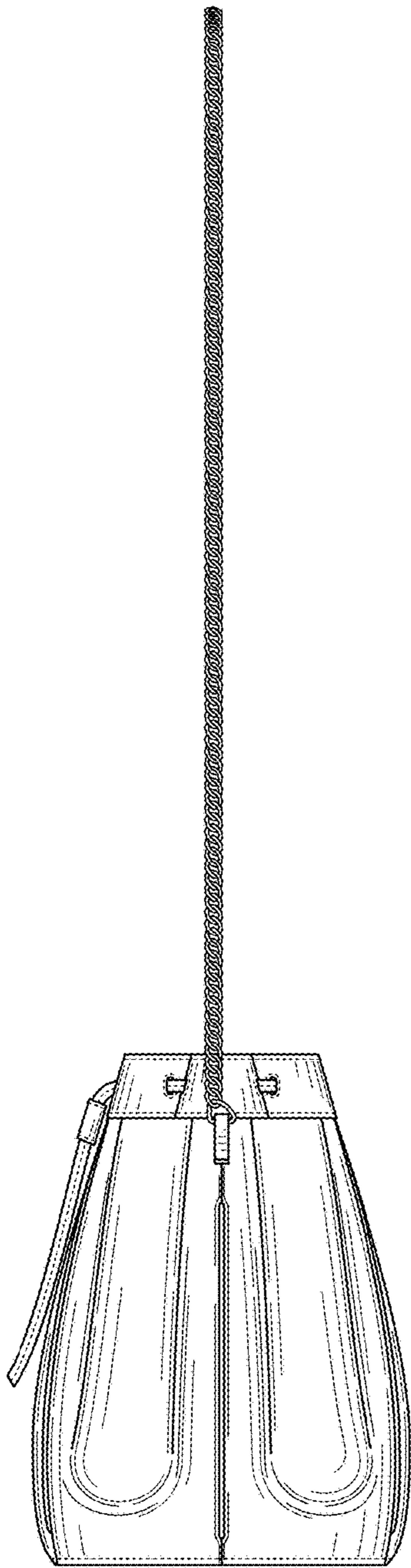


FIG. 11

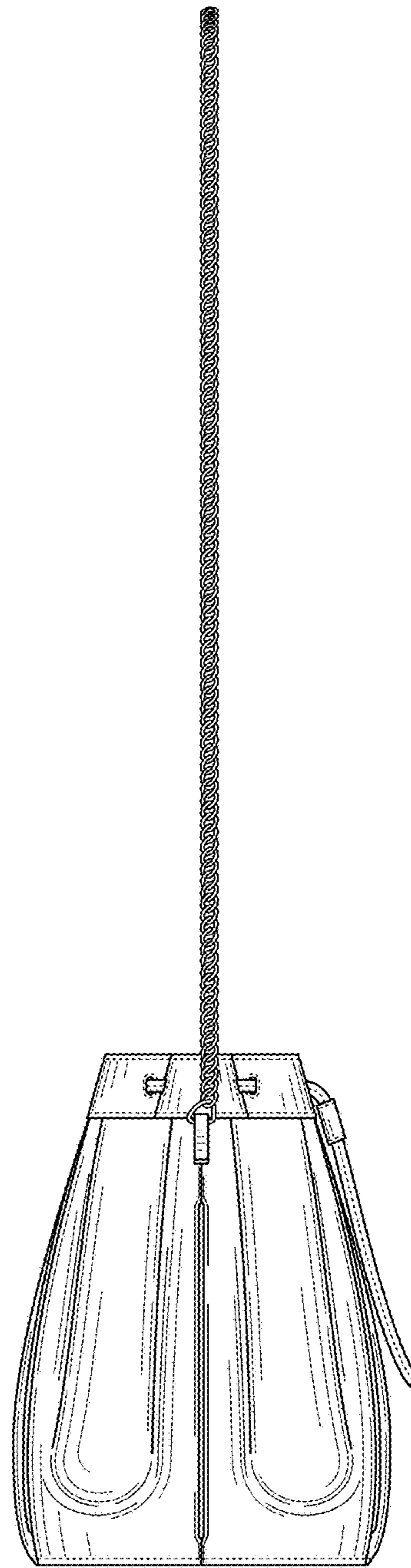


FIG. 12

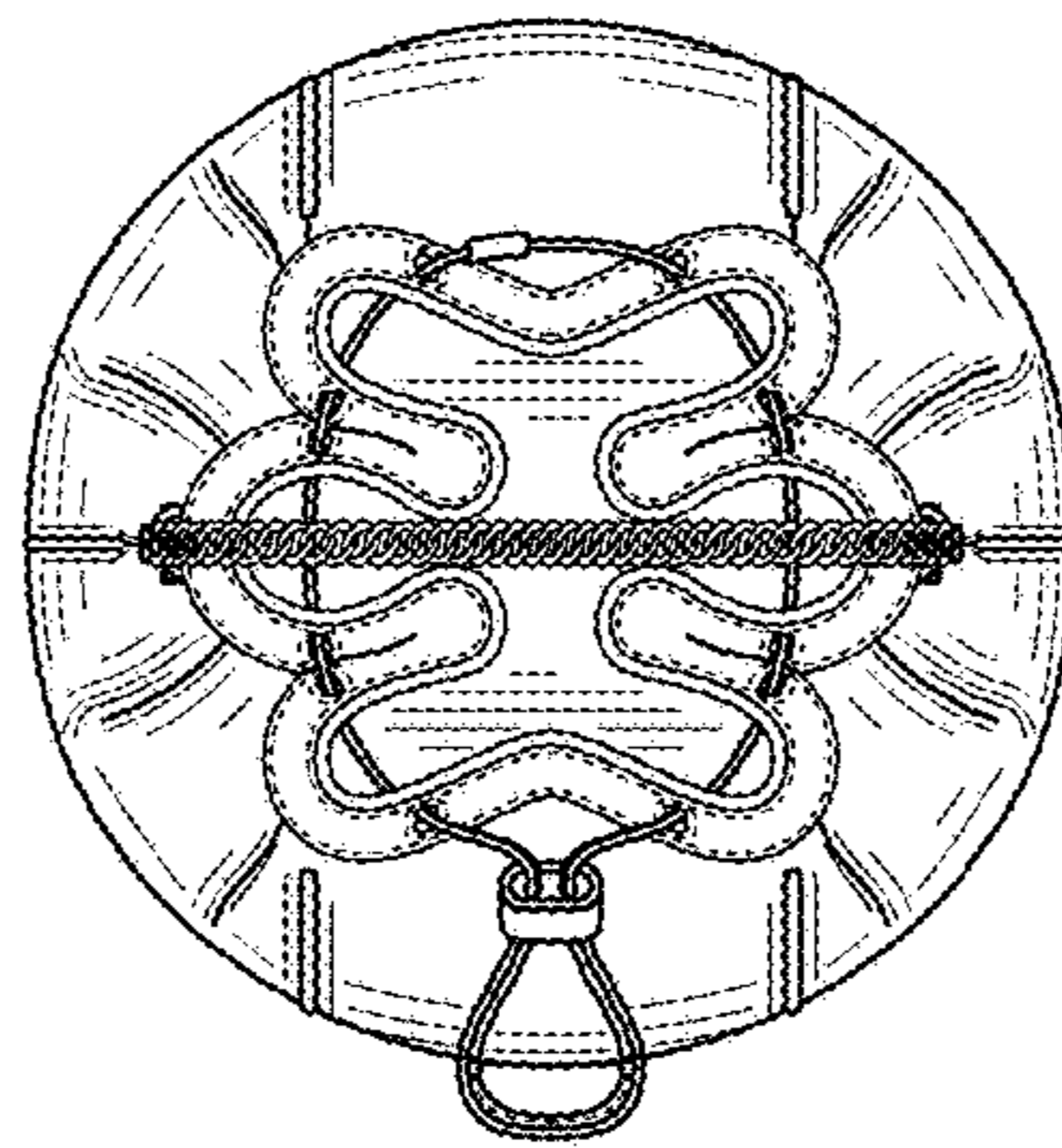


FIG. 13

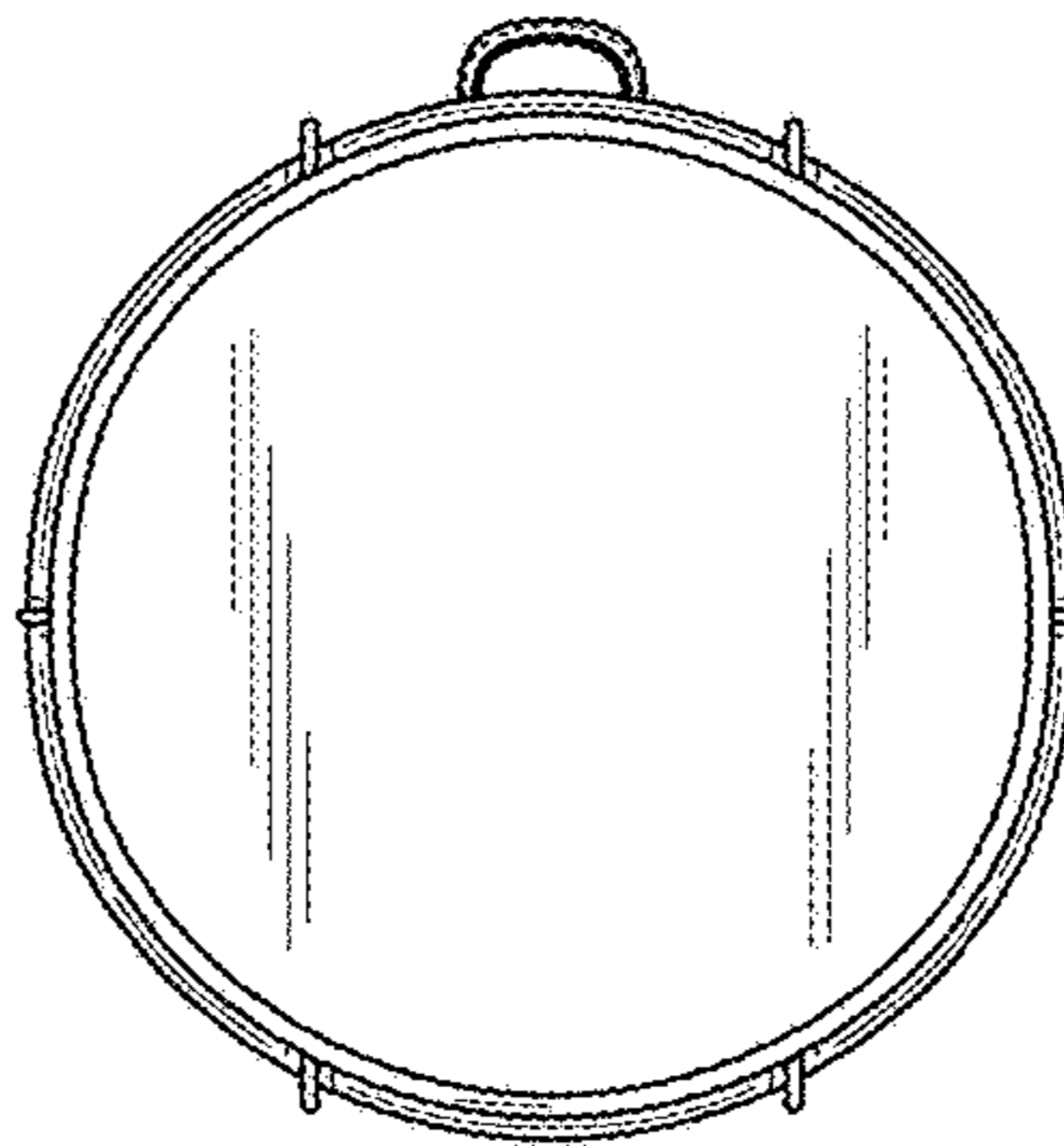


FIG. 14