



US00D866171S

(12) **United States Design Patent** (10) **Patent No.:** **US D866,171 S**
Chen (45) **Date of Patent:** **** Nov. 12, 2019**

(54) **HANDBAG**

(71) Applicant: **Bihua Chen**, Putian (CN)

(72) Inventor: **Bihua Chen**, Putian (CN)

(**) Term: **15 Years**

(21) Appl. No.: **29/672,615**

(22) Filed: **Dec. 6, 2018**

(51) **LOC (12) Cl.** **03-01**

(52) **U.S. Cl.**
USPC **D3/243**

(58) **Field of Classification Search**
USPC D3/232–233, 240–246
CPC A45C 1/024; A45C 3/06
See application file for complete search history.

(56) **References Cited**

U.S. PATENT DOCUMENTS

D386,901 S * 12/1997 Goldban D3/245
D420,511 S * 2/2000 du Sartel D3/232
D422,411 S * 4/2000 Martin D3/201

D855,315 S * 8/2019 Marttila D3/243

* cited by examiner

Primary Examiner — Holly H Baynham

(57) **CLAIM**

The ornamental design for a handbag, as shown and described.

DESCRIPTION

FIG. 1 is a front elevational view of a handbag showing my new design;
FIG. 2 is a rear elevational view thereof;
FIG. 3 is a left side elevational view thereof;
FIG. 4 is a right side elevational view thereof;
FIG. 5 is a top plan view thereof;
FIG. 6 is a bottom plan view thereof;
FIG. 7 is the front perspective view thereof; and,
FIG. 8 is the perspective view of the part A in FIG. 7.
The claimed design is shown in the figures by solid lines as well as by dashed lines that represent stitching.
The bow element is shown detached from the claimed design for ease of illustration.

1 Claim, 6 Drawing Sheets

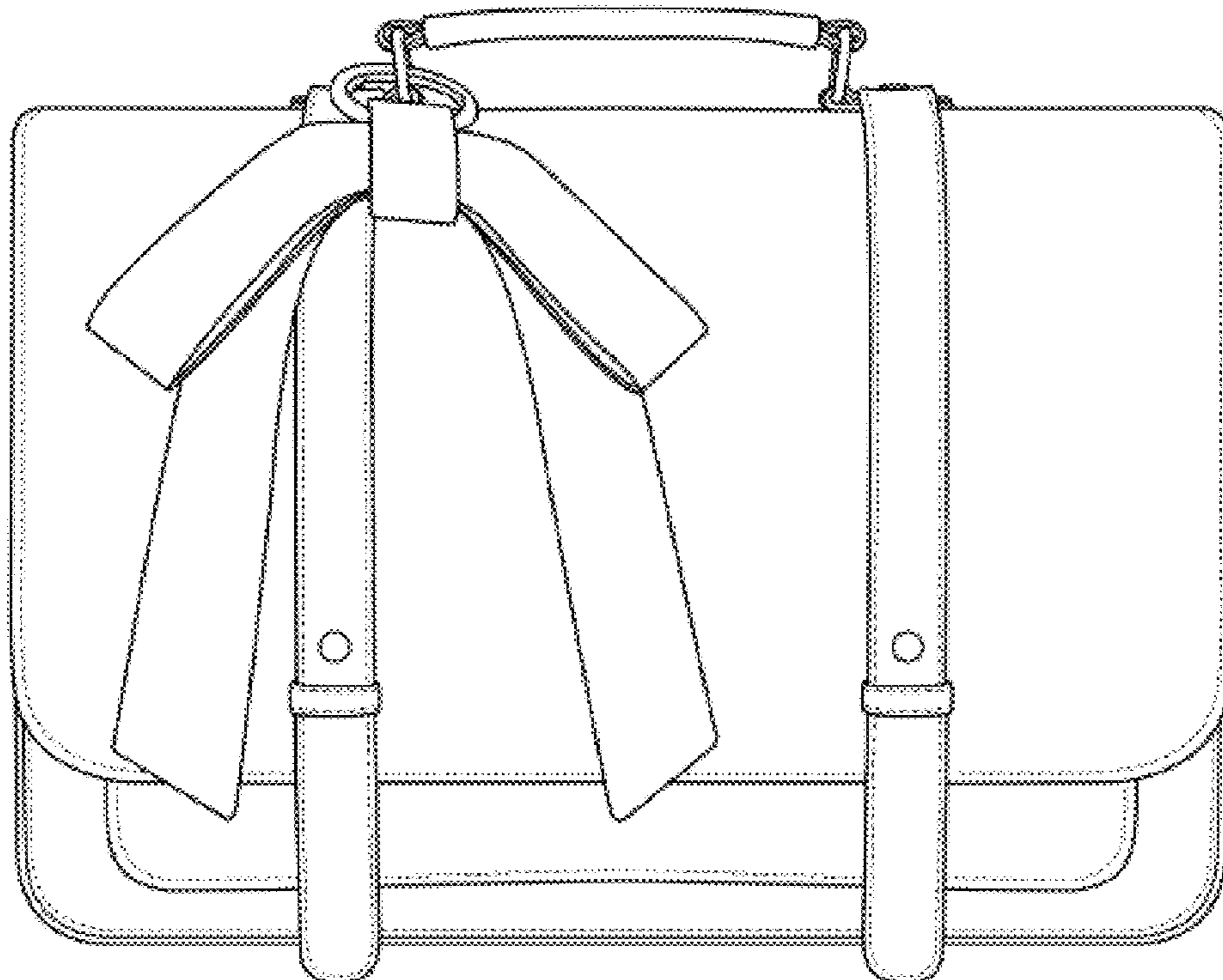


FIG. 1

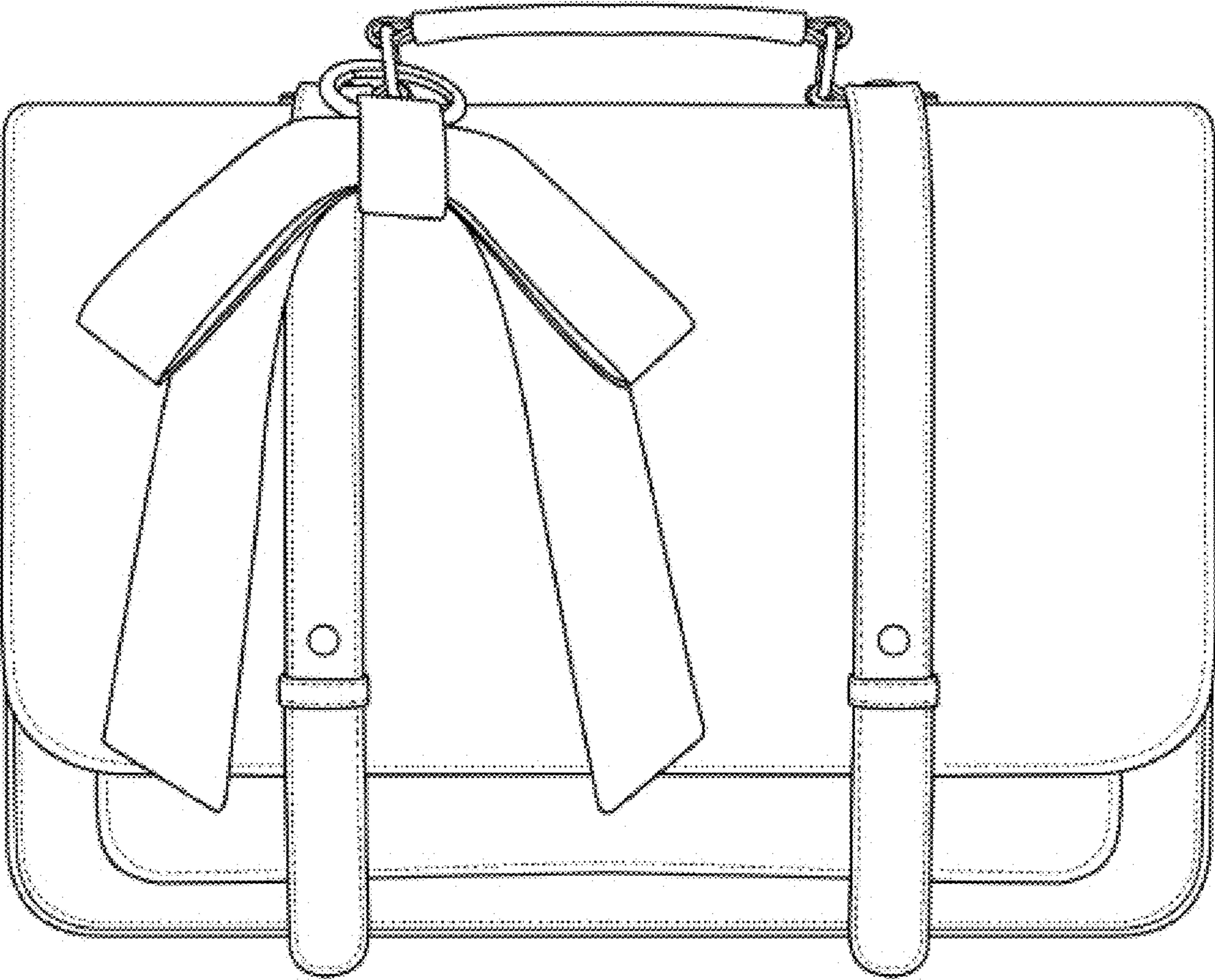


FIG. 2

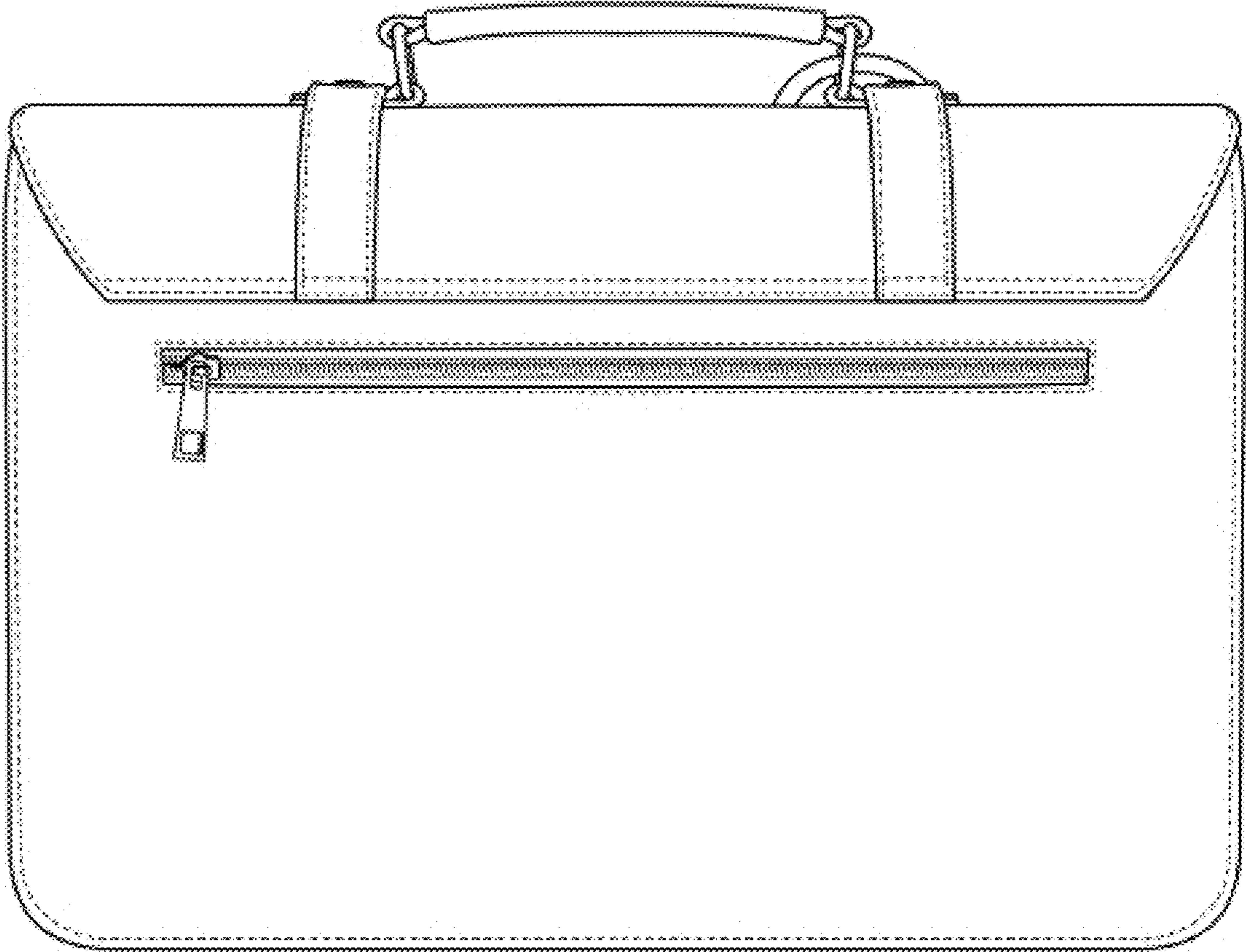


FIG. 3

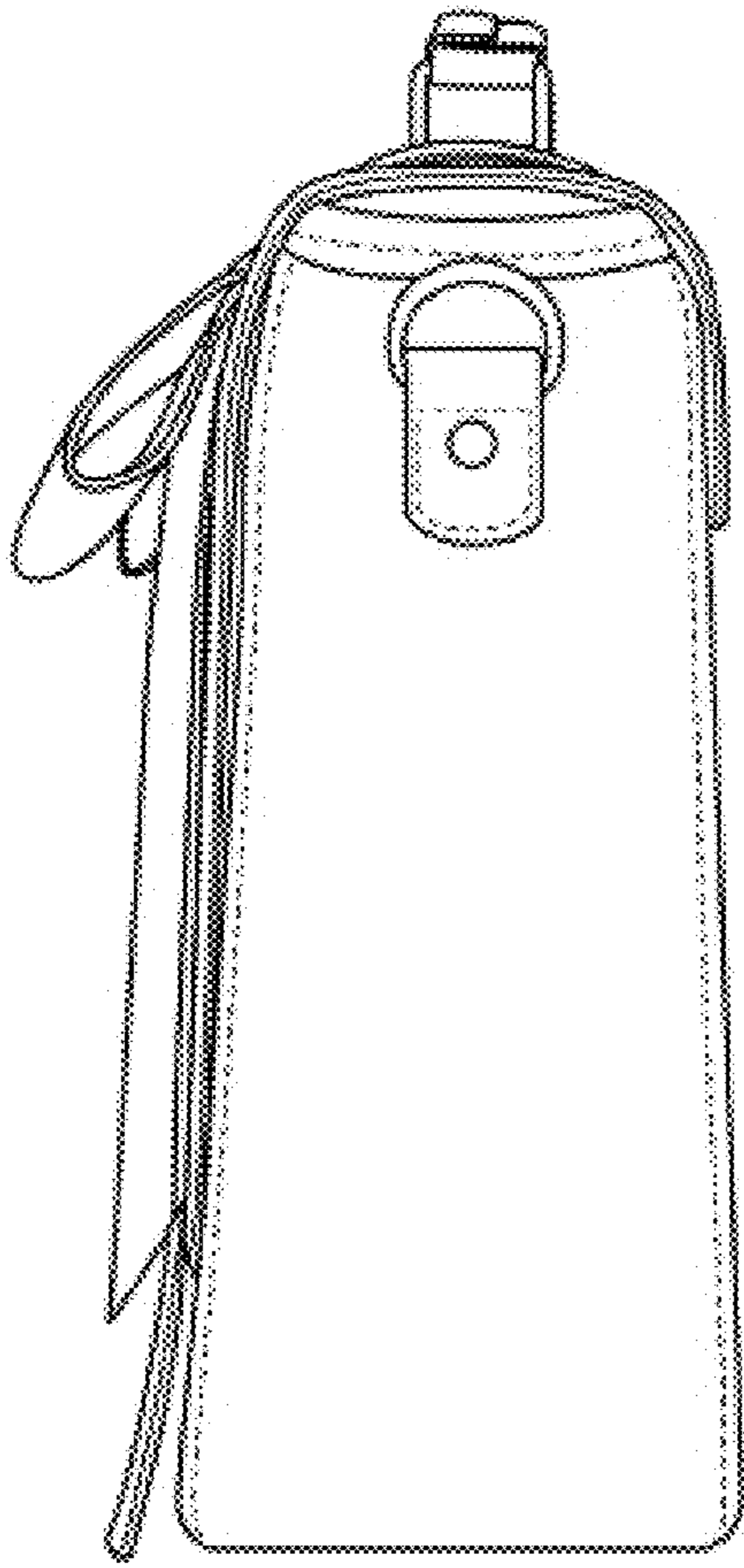


FIG. 4

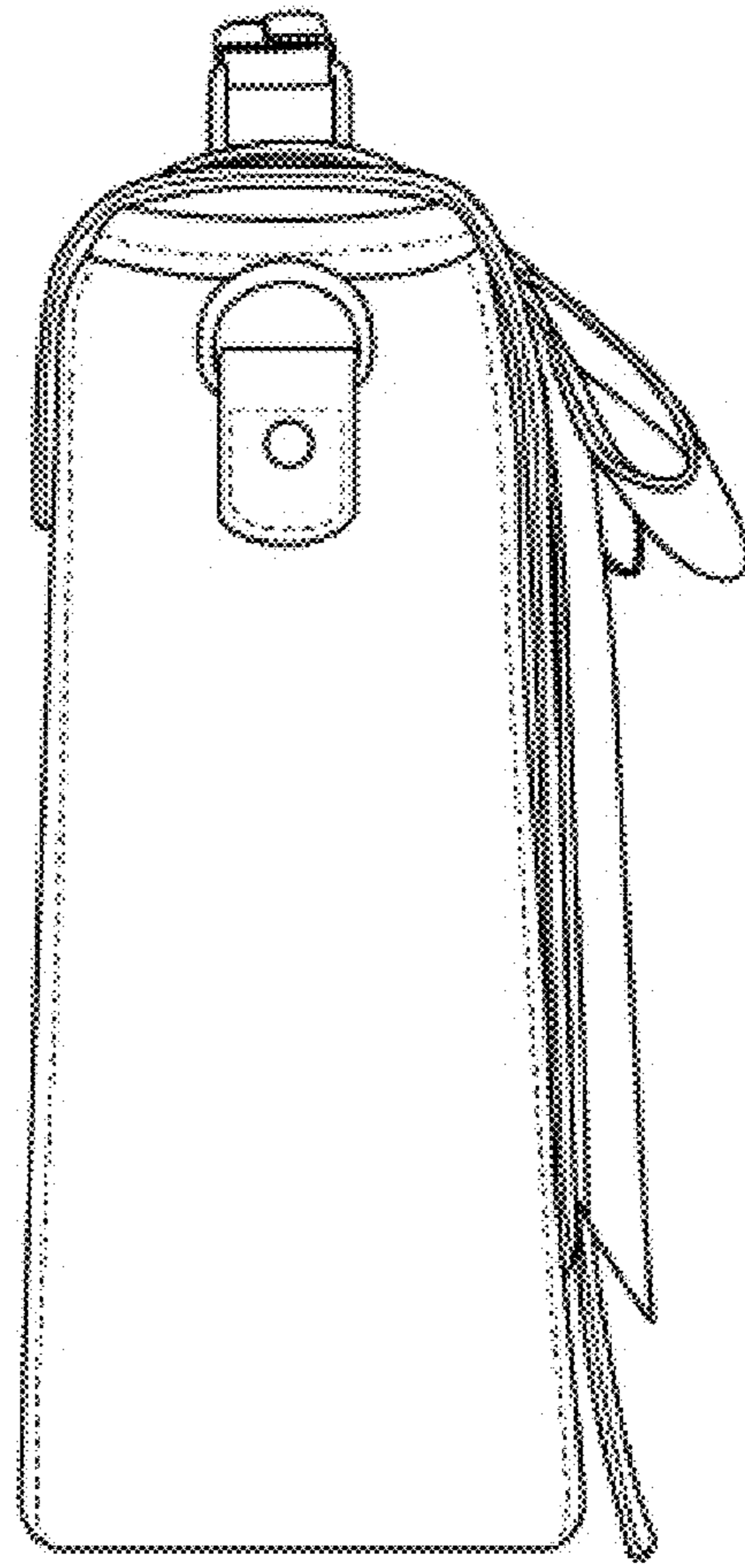


FIG. 5

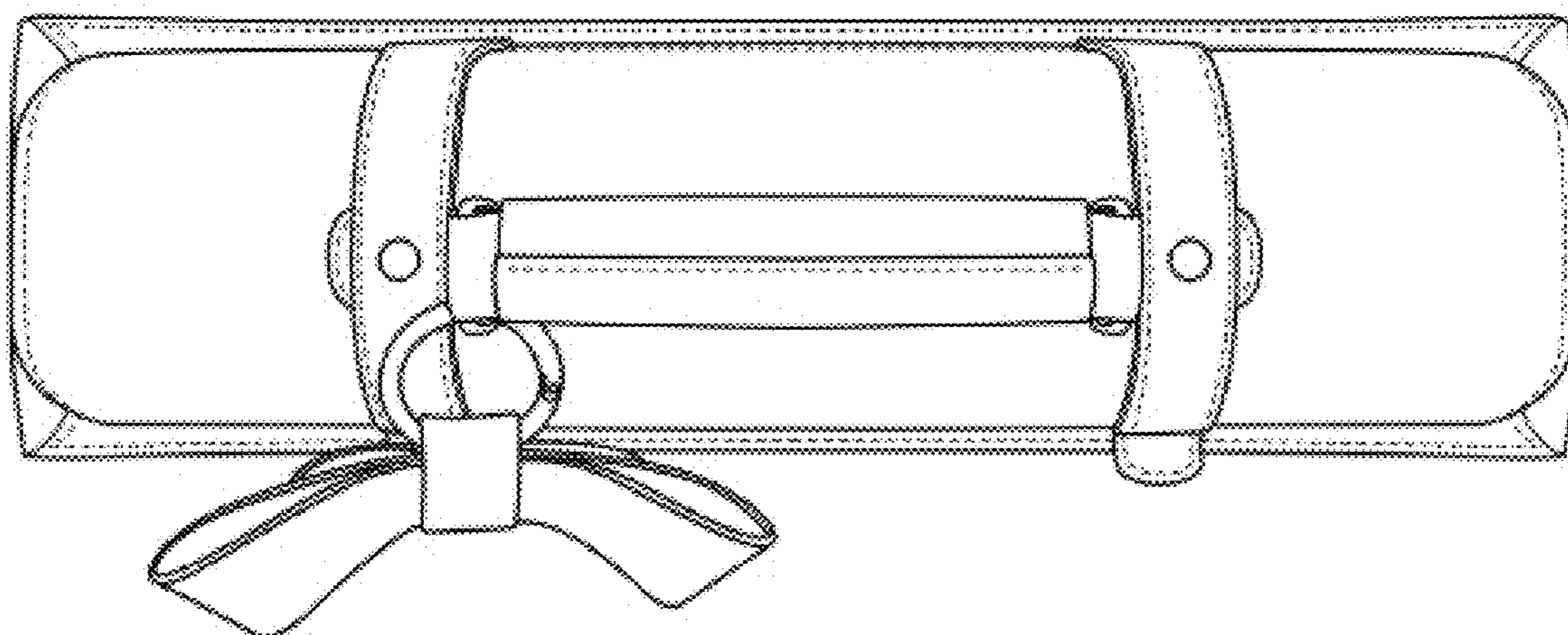
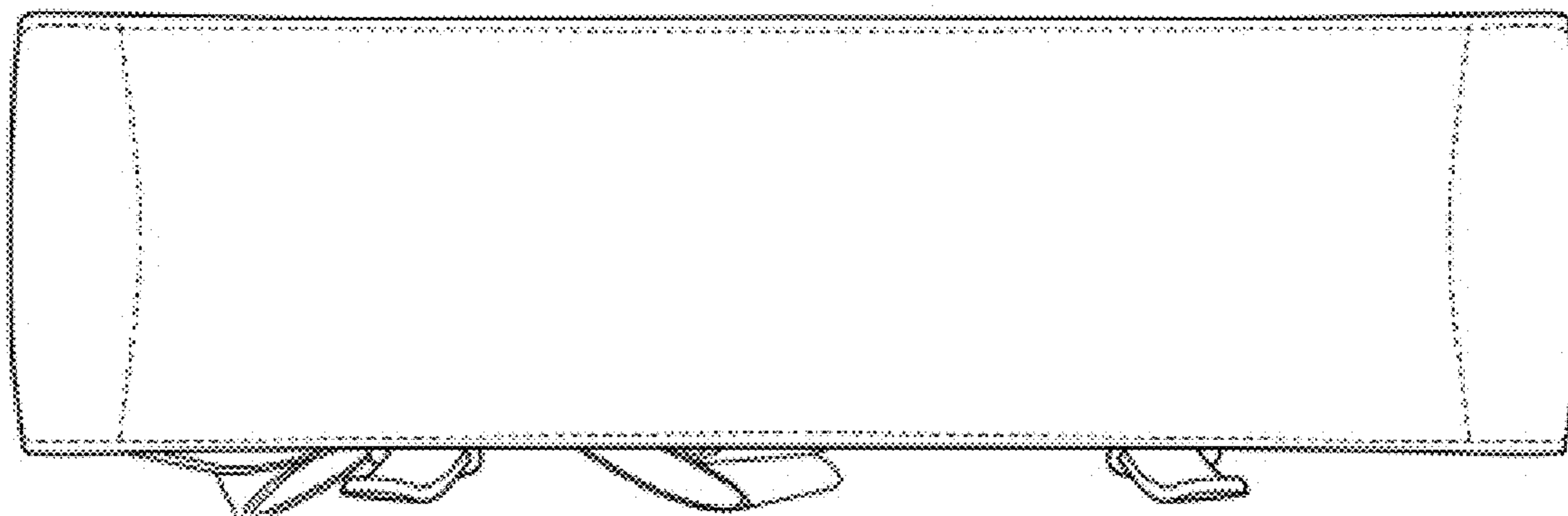


FIG. 6



A

FIG. 7



FIG.8

