



US00D866165S

(12) **United States Design Patent**
Luo et al.

(10) **Patent No.:** **US D866,165 S**

(45) **Date of Patent:** **** Nov. 12, 2019**

(54) **TRAVEL CASE FOR FACIAL CLEANING DEVICE**

(71) Applicant: **Shenzhen Hongwang Nicemay Electric Co., Ltd**, Shenzhen (CN)

(72) Inventors: **Dewei Luo**, Shenzhen (CN); **Yongpeng Tang**, Shenzhen (CN)

(73) Assignee: **SHENZHEN HONGWANG NICEMAY ELECTRIC CO., LTD**, Shenzhen (CN)

(**) Term: **15 Years**

(21) Appl. No.: **29/664,820**

(22) Filed: **Sep. 27, 2018**

(30) **Foreign Application Priority Data**

Jun. 1, 2018 (CN) 2018 3 0270920

(51) **LOC (12) Cl.** **03-02**

(52) **U.S. Cl.**
USPC **D3/205**

(58) **Field of Classification Search**
USPC D3/205, 206
CPC A45C 11/00; A45C 11/008; A45C 11/26;
A45C 2011/007; A45C 9/00; A45D 44/18
See application file for complete search history.

(56) **References Cited**

U.S. PATENT DOCUMENTS

D100,353 S * 7/1936 Mosheim D9/505
D229,824 S * 1/1974 Erickson D9/434

D270,896 S * 10/1983 Baillod D3/304
D317,119 S * 5/1991 Vola D9/502
5,360,111 A * 11/1994 Arispe A45D 34/04
206/361
D474,014 S * 5/2003 Barnard D3/206
7,255,704 B2 * 8/2007 Hogan A45D 34/04
606/131
D570,098 S * 6/2008 Luzon D3/205
D718,045 S * 11/2014 Fasciglione D3/205
2006/0000742 A1 * 1/2006 Consulich A45D 33/006
206/581

* cited by examiner

Primary Examiner — Charles D Hanson

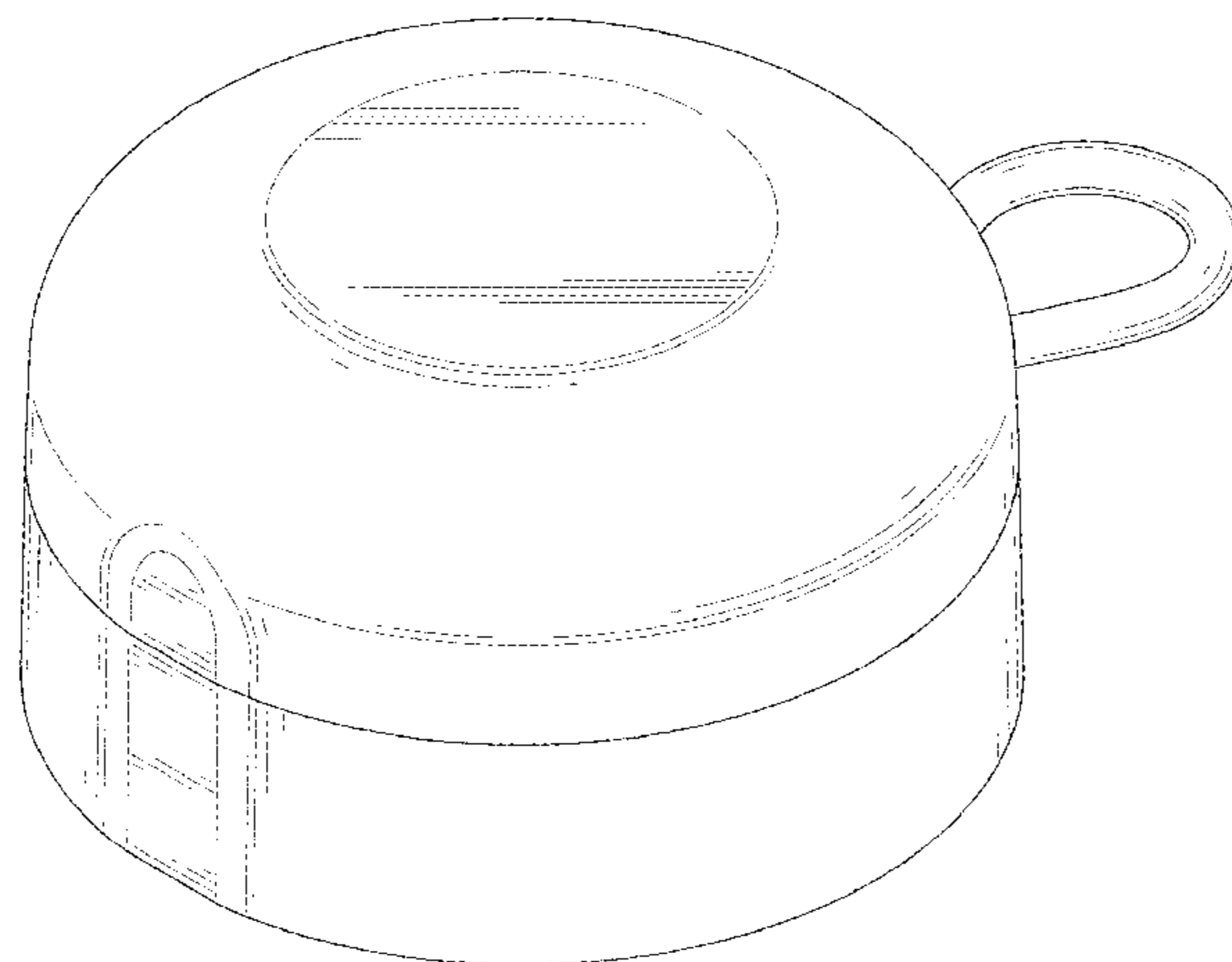
(57) **CLAIM**

The ornamental design for a travel case for facial cleaning device, as shown and described.

DESCRIPTION

FIG. 1 is a perspective view of a travel case for facial cleaning device showing my new design; FIG. 2 is another perspective view thereof; FIG. 3 is a front elevational view thereof; FIG. 4 is a rear elevational view thereof; FIG. 5 is a left side elevational view thereof; FIG. 6 is a right side elevational view thereof; FIG. 7 is a top plan view thereof; and, FIG. 8 is a bottom plan view thereof.

1 Claim, 8 Drawing Sheets



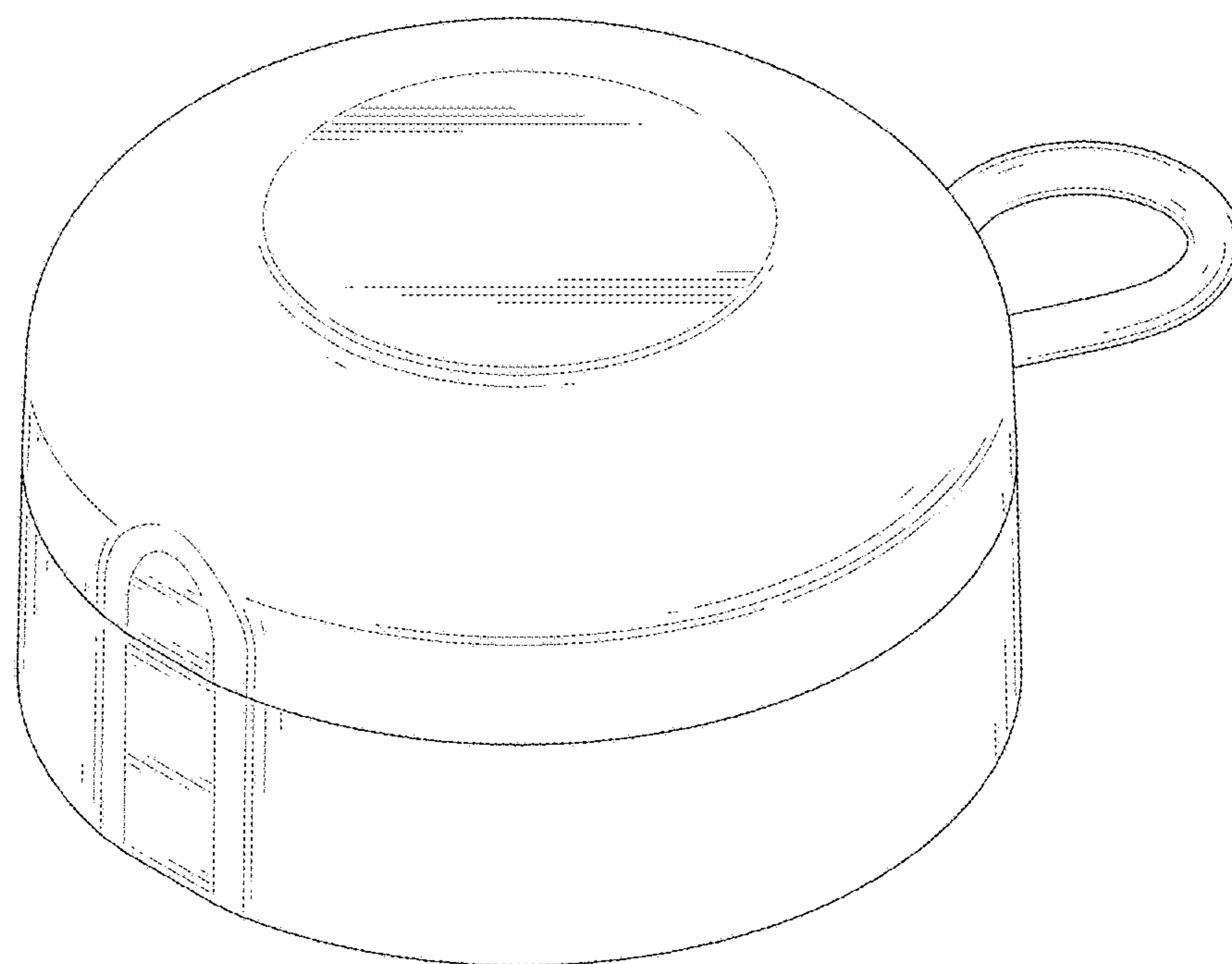


FIG. 1

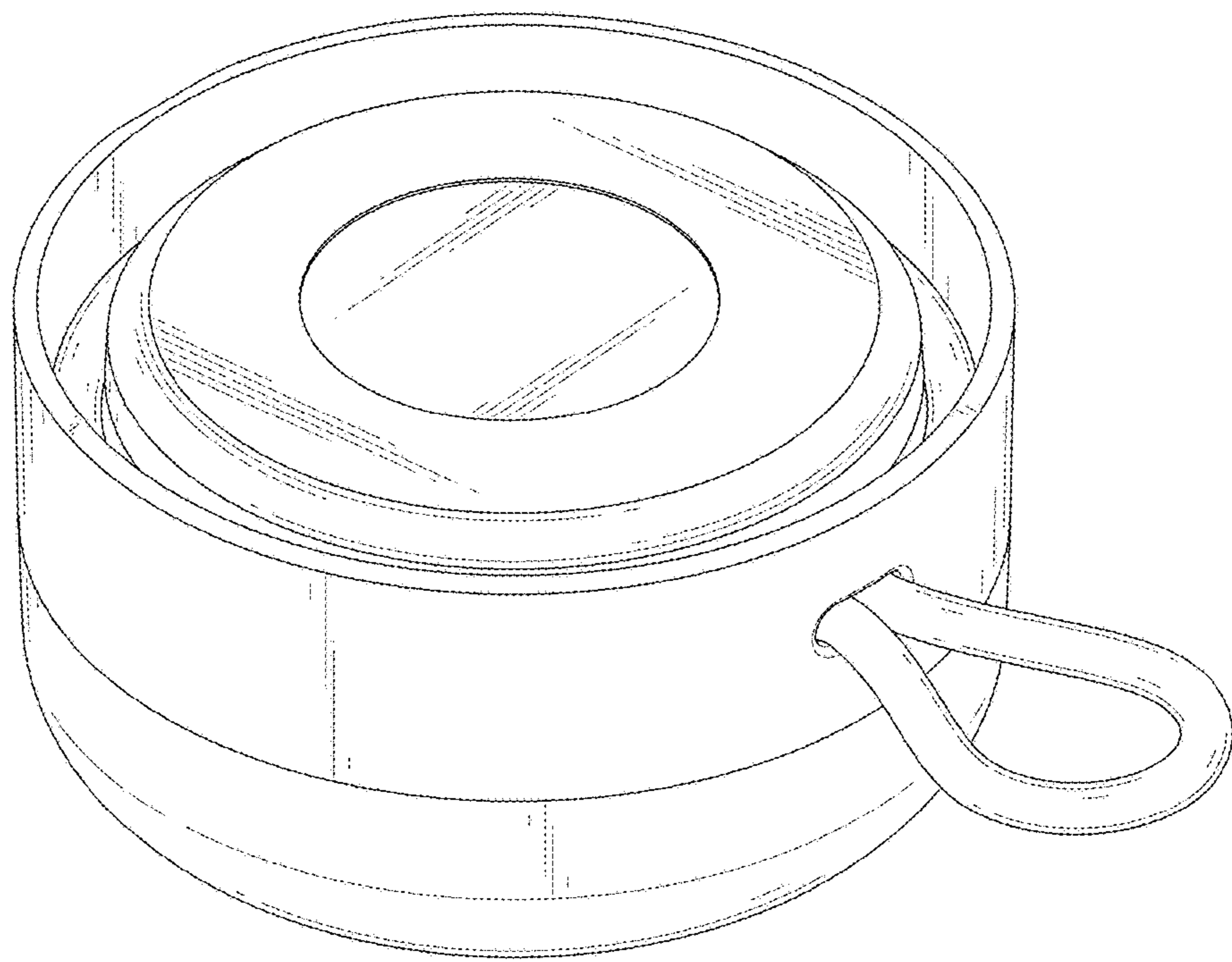


FIG. 2

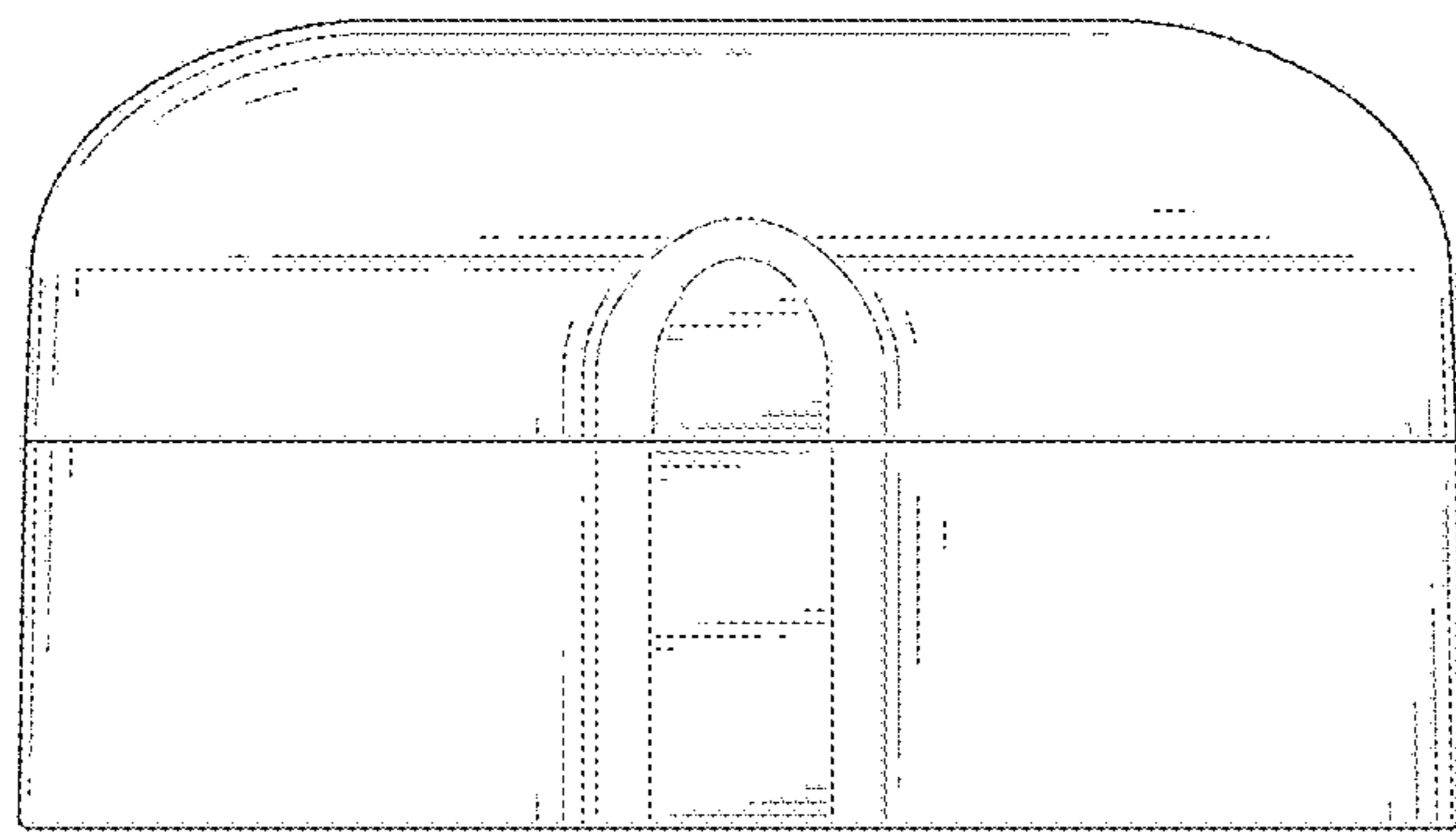


FIG. 3

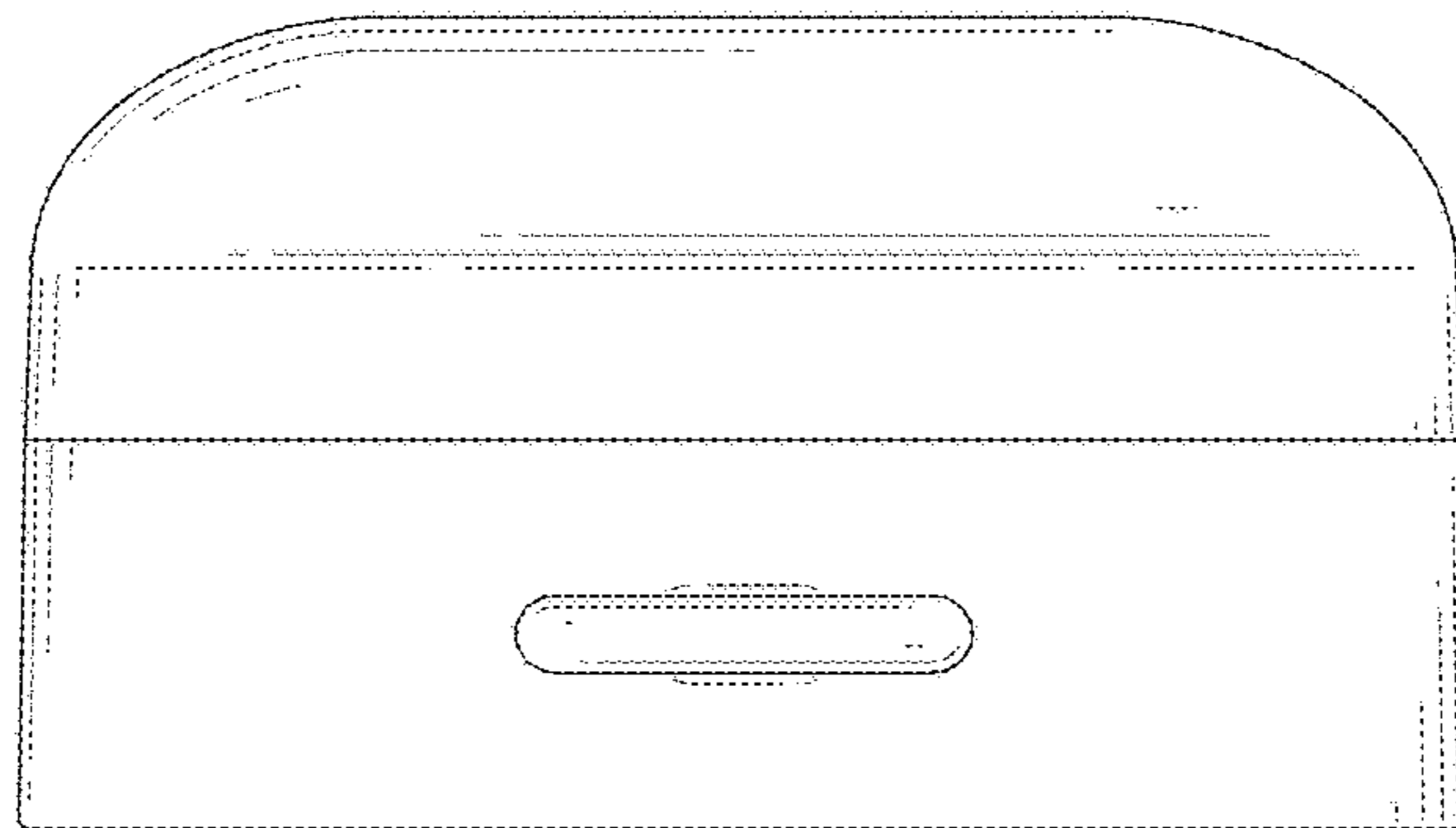


FIG. 4

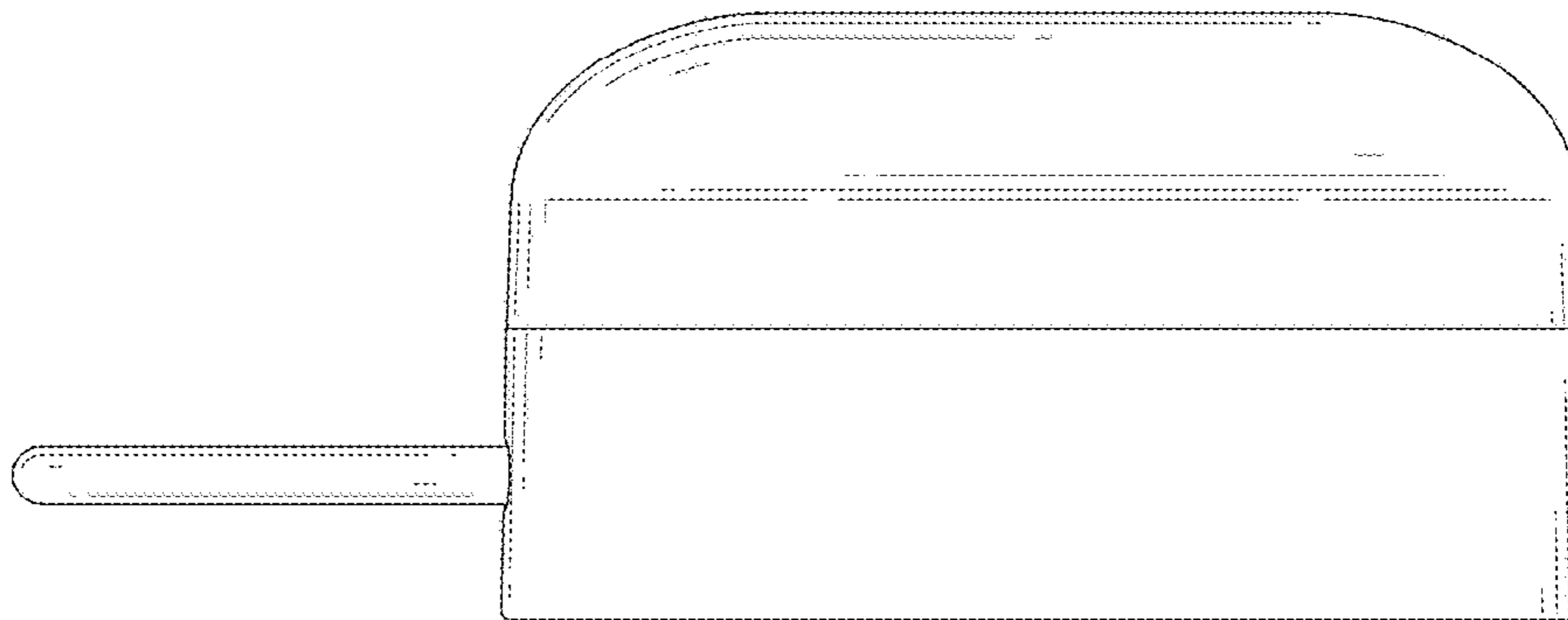


FIG. 5

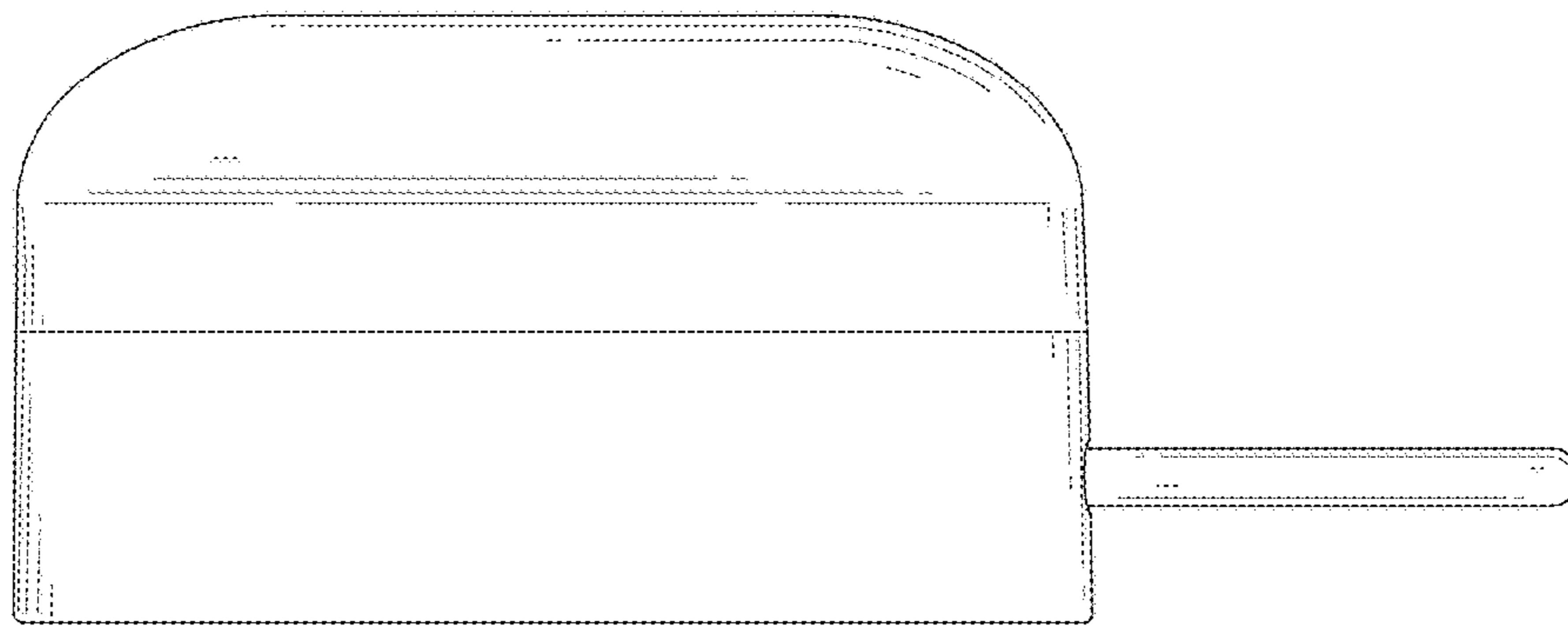


FIG. 6

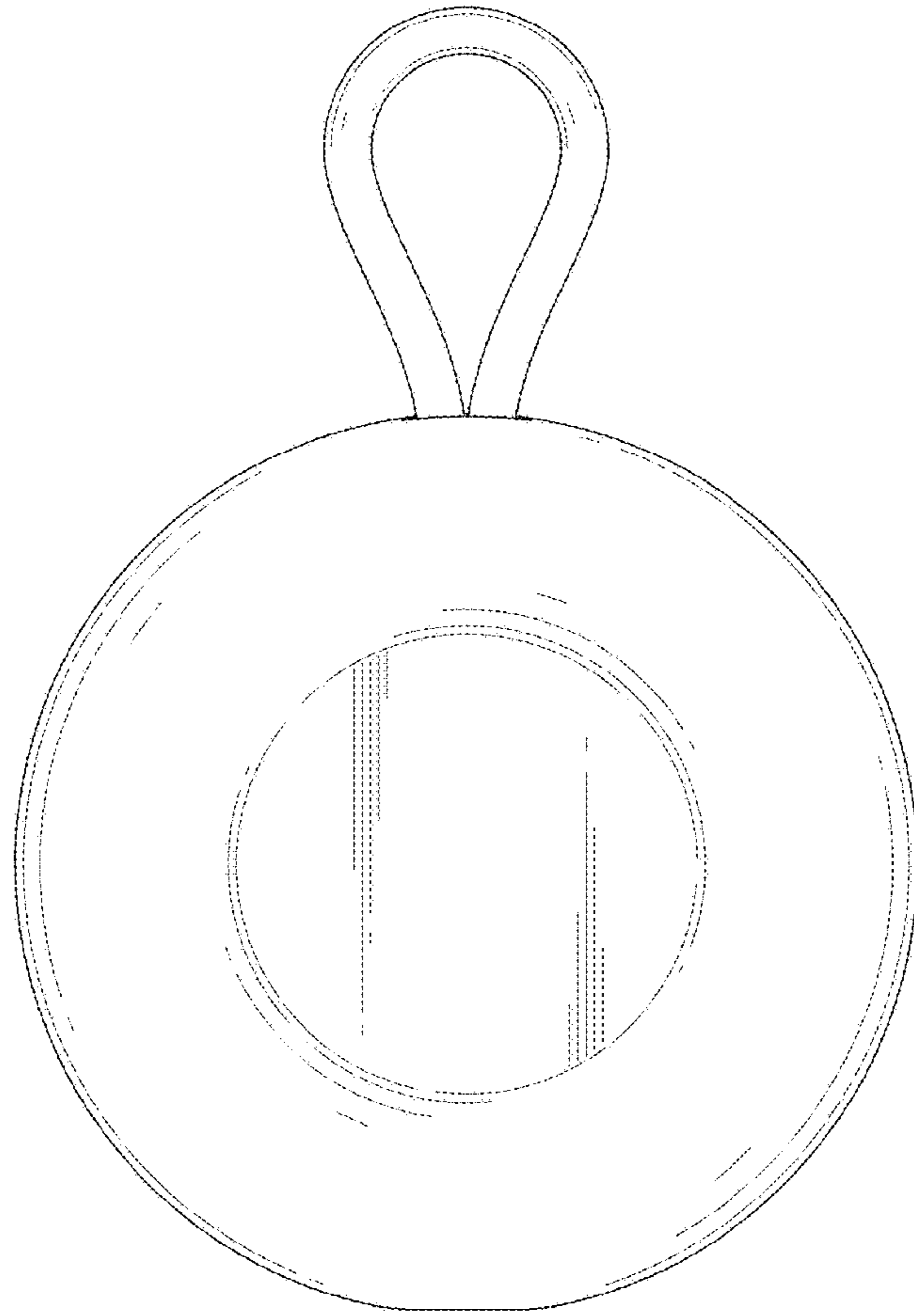


FIG. 7

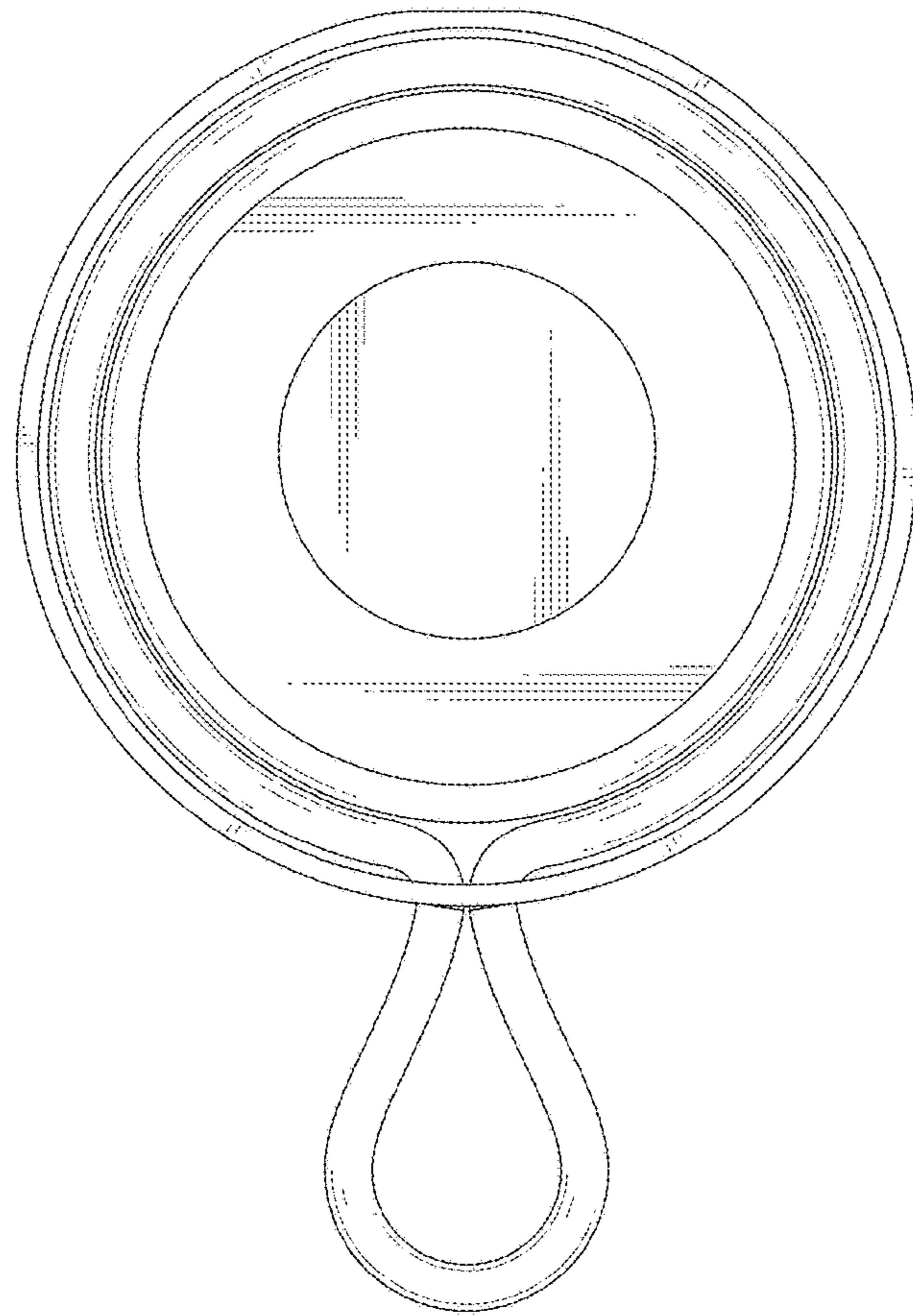


FIG. 8