

US00D866164S

(12) **United States Design Patent**
Chen

(10) **Patent No.:** **US D866,164 S**

(45) **Date of Patent:** **** Nov. 12, 2019**

- (54) **TOOTHBRUSH CASE**
- (71) Applicant: **Shenzhen Hermit Crab Technology Co., Ltd**, Shenzhen (CN)
- (72) Inventor: **Zongkai Chen**, Shenzhen (CN)
- (73) Assignee: **SHENZHEN HERMIT CRAB TECHNOLOGY CO., LTD**, Shenzhen (CN)

D572,476 S *	7/2008	Raile	D3/265
7,412,995 B2 *	8/2008	Arcese	A45C 3/06
			150/103
D575,956 S *	9/2008	Reardon	D3/295
D577,193 S *	9/2008	Raile	D3/265
D617,097 S *	6/2010	Raile	D3/263
D641,971 S *	7/2011	Shibata	D3/206
D695,825 S *	12/2013	Jiang	D19/163
D702,942 S *	4/2014	Redman	D3/254
D731,784 S *	6/2015	McGarry	D3/205

* cited by examiner

(**) Term: **15 Years**

Primary Examiner — Charles D Hanson

(21) Appl. No.: **29/629,352**

(57) **CLAIM**

The ornamental design for a toothbrush case, as shown and described.

(22) Filed: **Dec. 13, 2017**

(51) **LOC (12) Cl.** **03-02**

DESCRIPTION

(52) **U.S. Cl.**
USPC **D3/205**

(58) **Field of Classification Search**
USPC D3/205, 206, 265
CPC A45C 11/00; A45C 11/008; A45C 11/26;
A45C 2011/007; A45C 9/00; A45D 44/18
See application file for complete search history.

FIG. 1 is a perspective view of a toothbrush case showing my new design;
FIG. 2 is a front view thereof;
FIG. 3 is a rear view thereof;
FIG. 4 is a top view thereof;
FIG. 5 is a bottom view thereof;
FIG. 6 is a left view thereof; and,
FIG. 7 is a right view thereof.

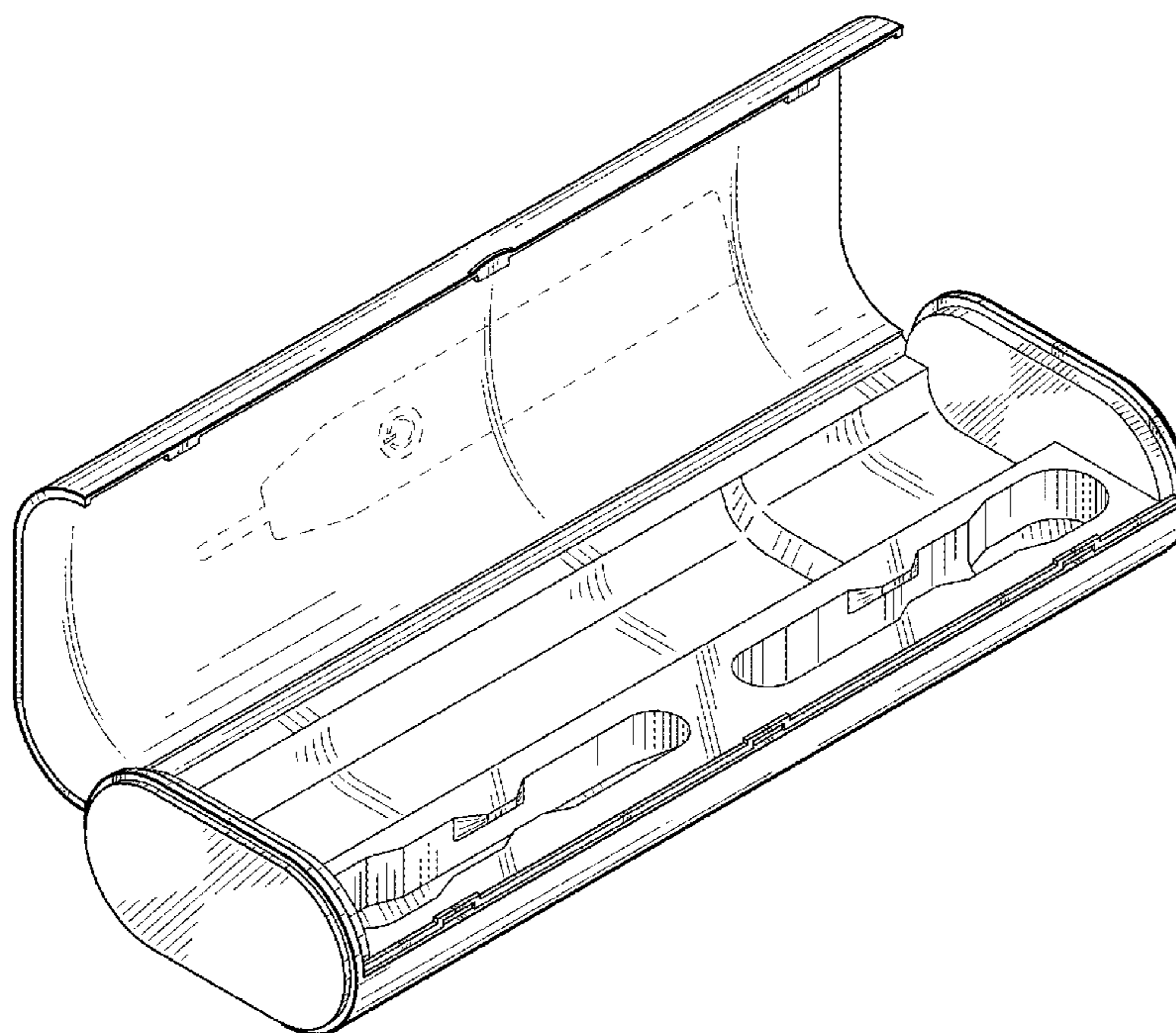
The broken lines are for the purposes of illustrating portions of the toothbrush case and form no part of the claimed design.

(56) **References Cited**

U.S. PATENT DOCUMENTS

D485,680 S *	1/2004	Hasenfrantz	D3/215
D571,556 S *	6/2008	Raile	D3/265

1 Claim, 7 Drawing Sheets



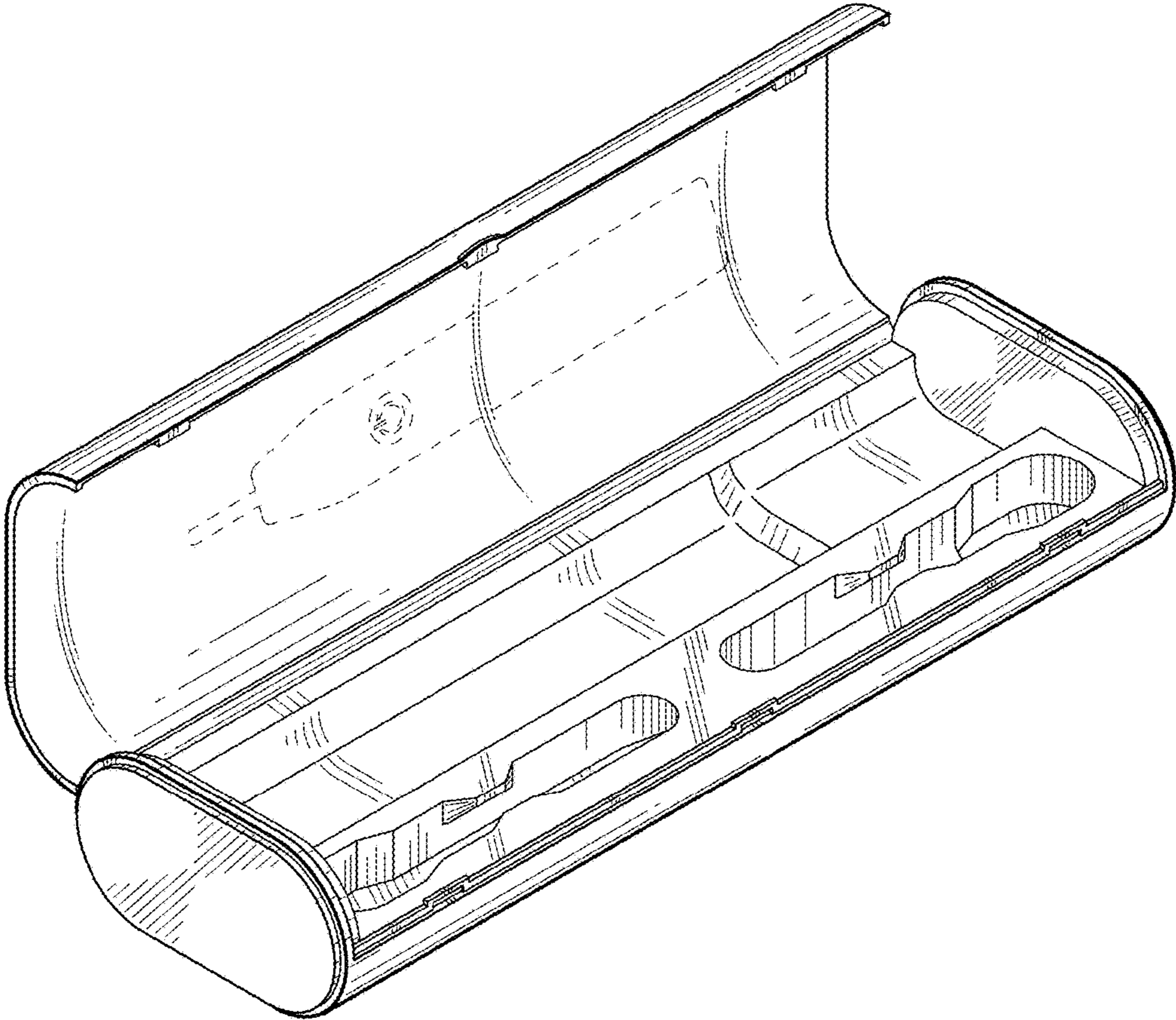


Fig. 1

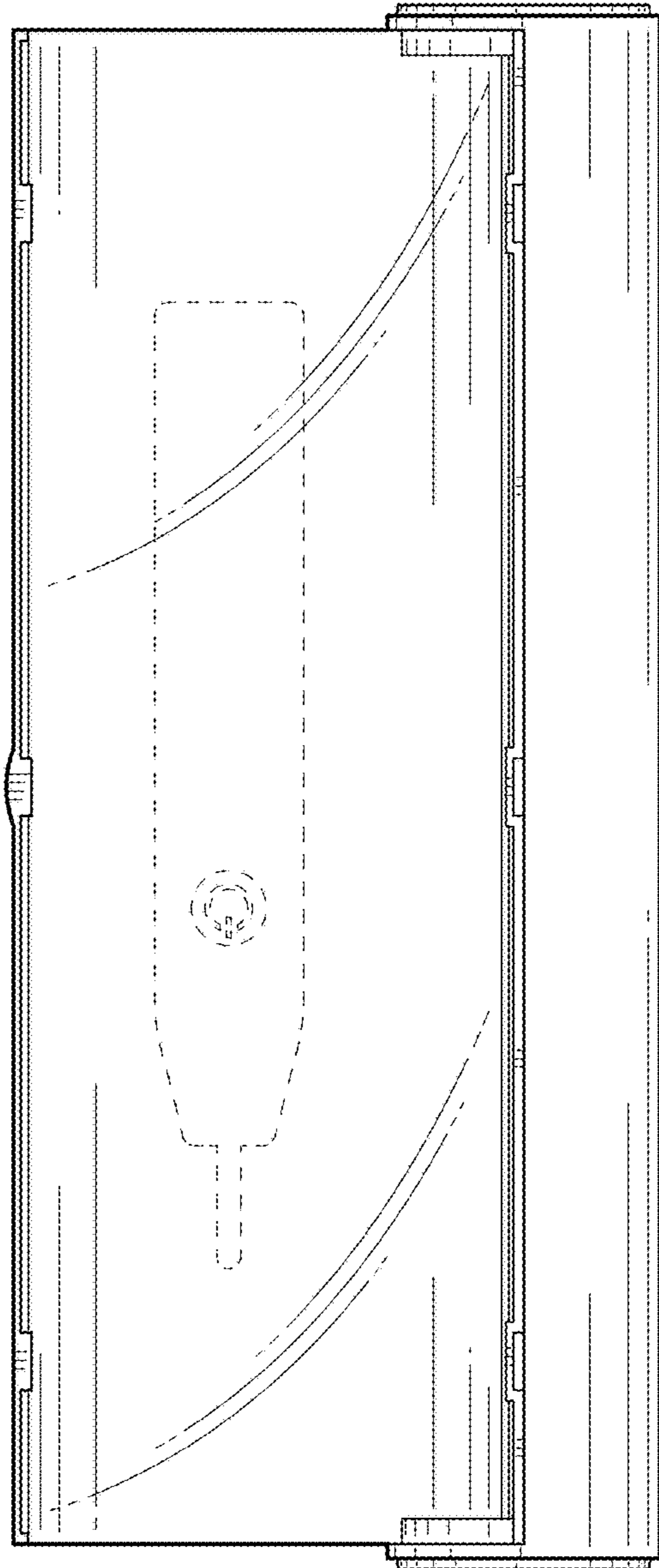


Fig. 2

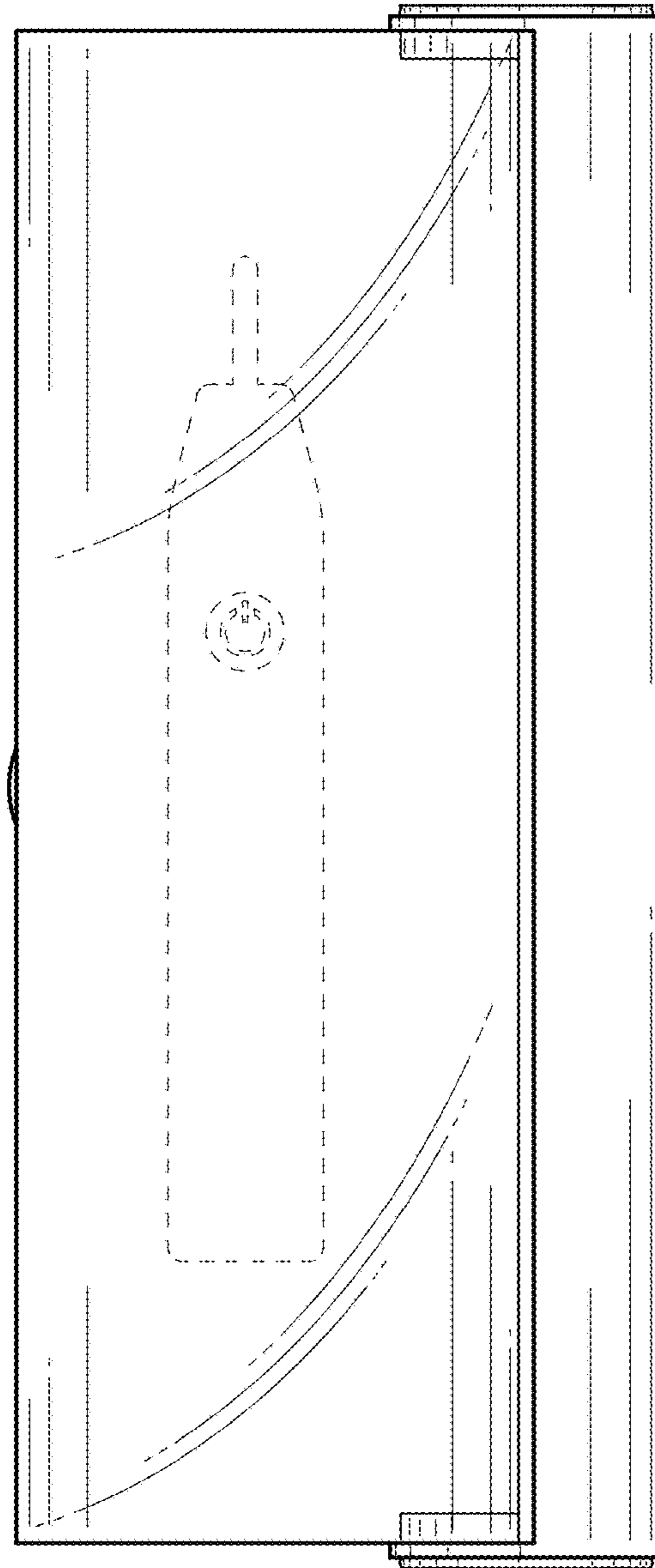


Fig. 3

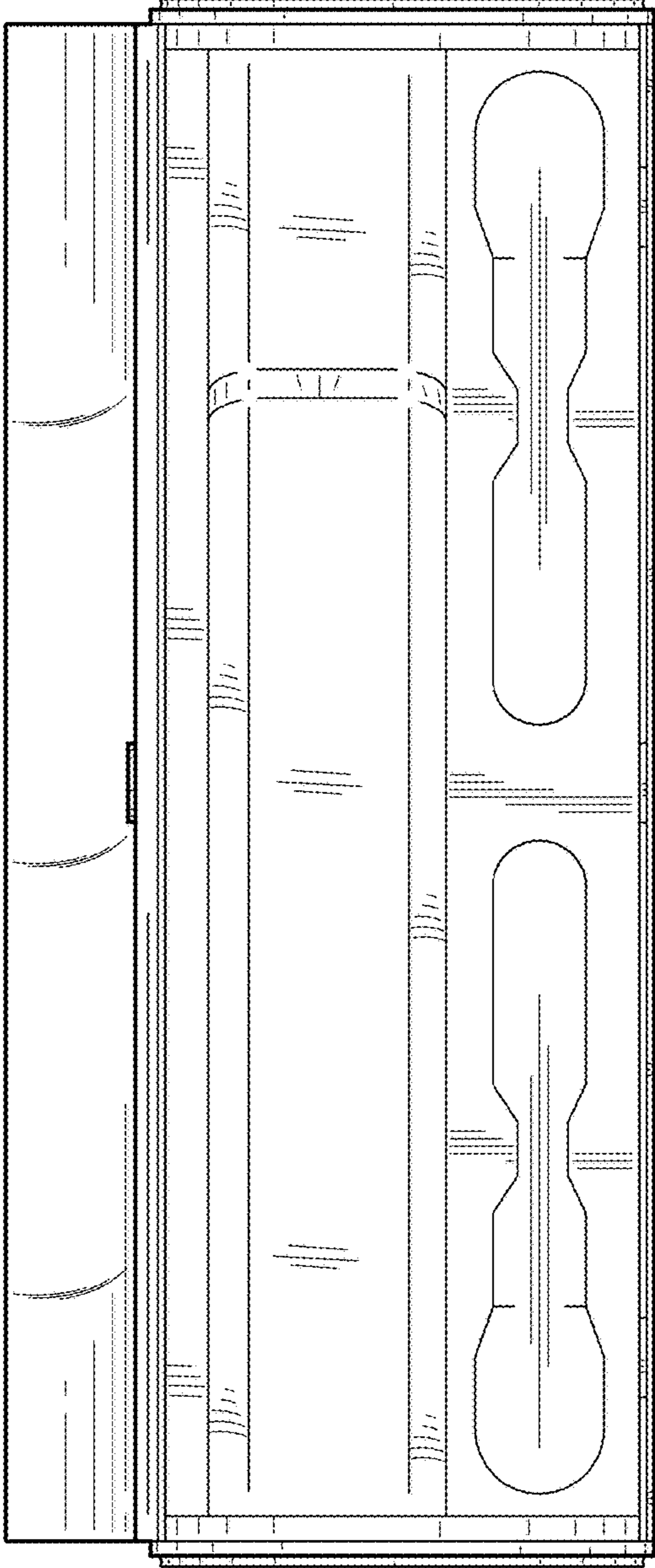


Fig. 4

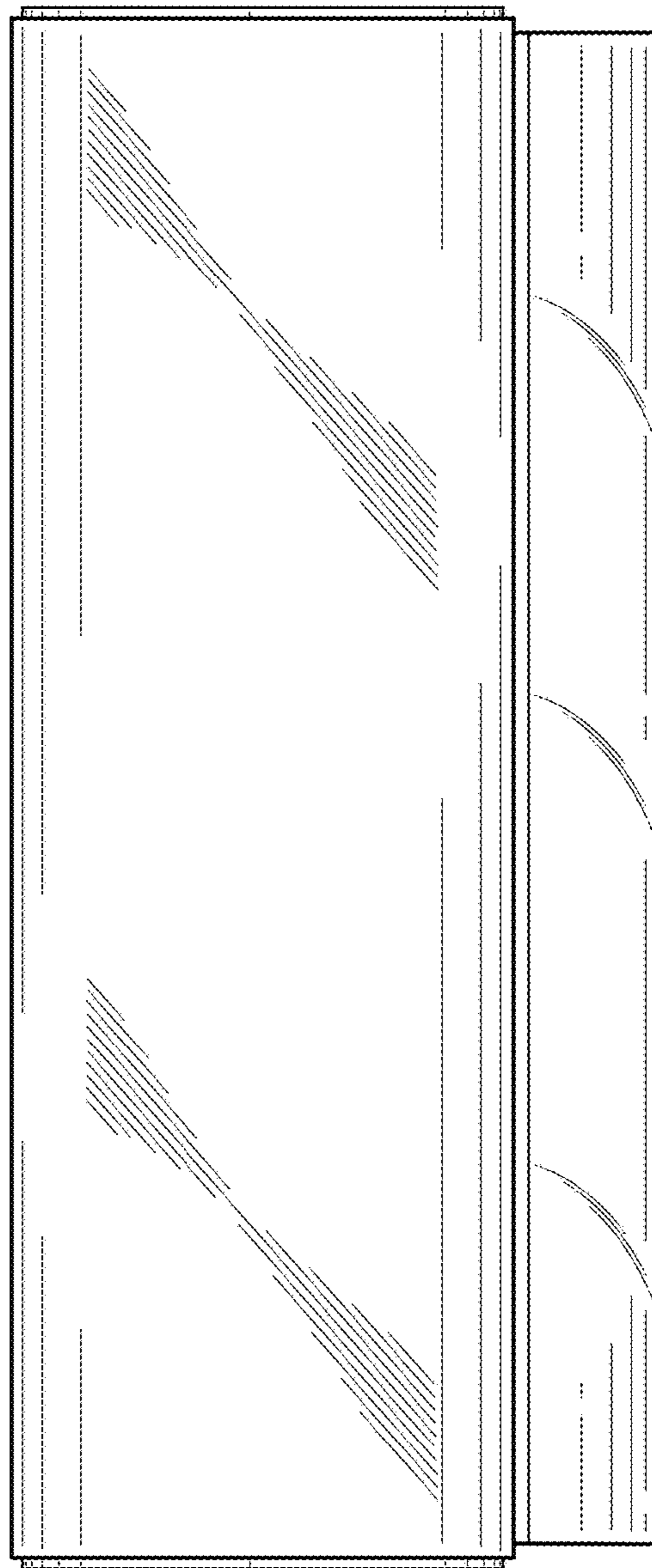


Fig. 5

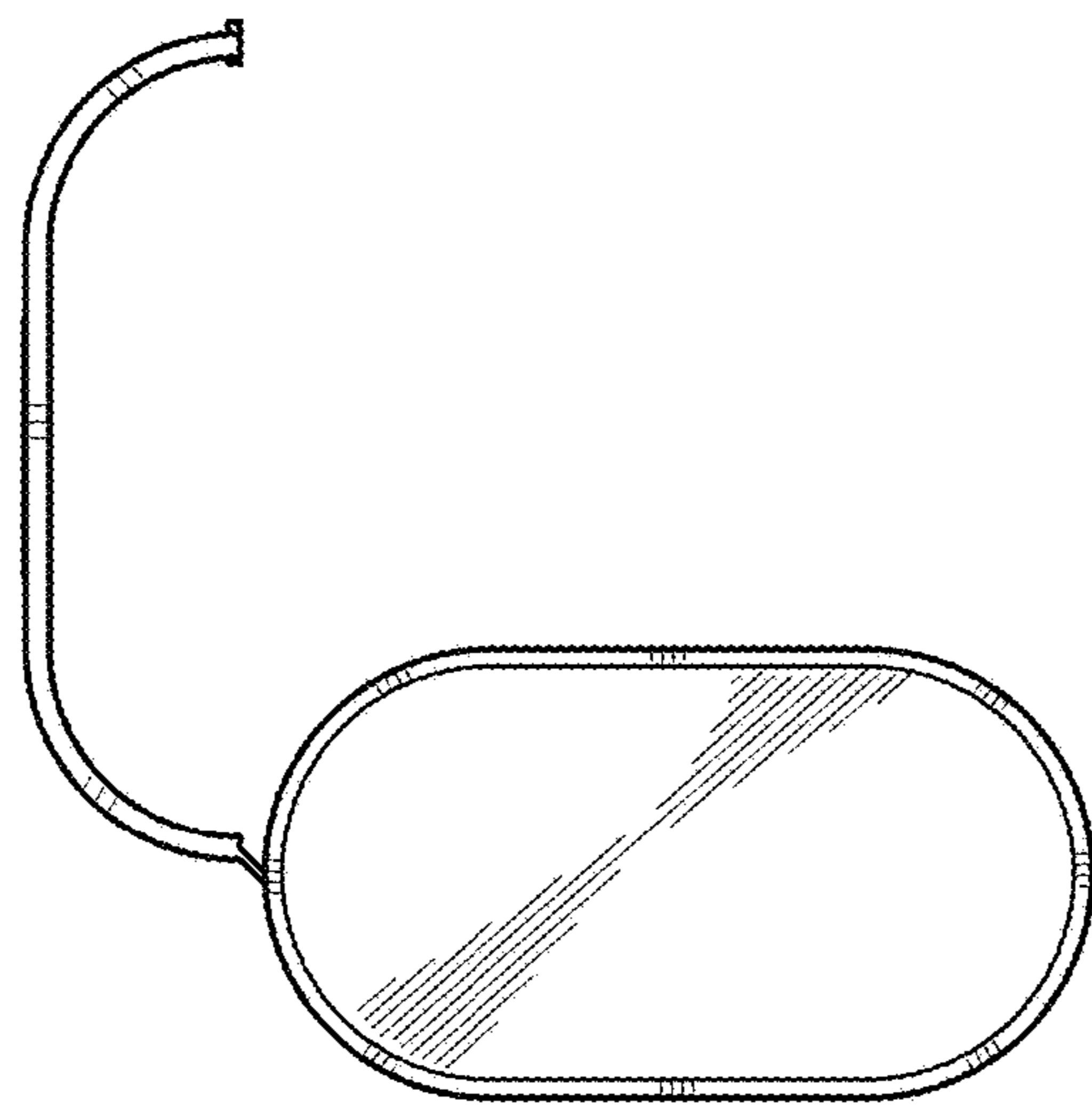


Fig. 6

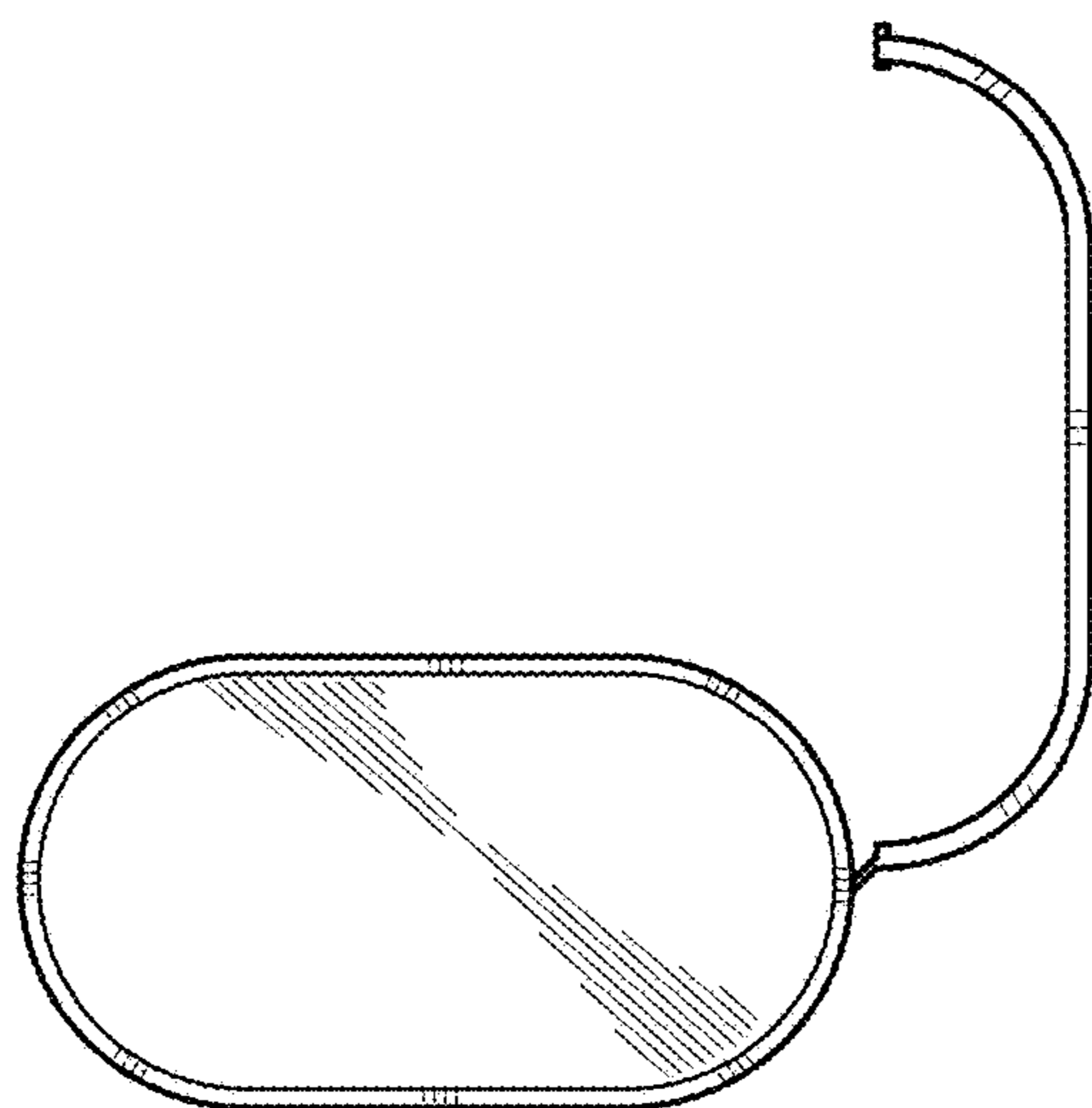


Fig. 7