

US00D866163S

(12) **United States Design Patent**  
**Crown et al.**

(10) **Patent No.: US D866,163 S**

(45) **Date of Patent: \*\* Nov. 12, 2019**

(54) **CRUTCH CONNECTOR ARRANGEMENT**

(71) Applicant: **Creative Law Enforcement Resources, Inc.**, South Pasadena, CA (US)

(72) Inventors: **Janet Crown**, South Pasadena, CA (US); **Timothy Pearce**, South Pasadena, CA (US)

(73) Assignee: **Creative Law Enforcement Resources, Inc.**, South Pasadena, CA (US)

(\*\*) Term: **15 Years**

(21) Appl. No.: **29/590,956**

(22) Filed: **Jan. 13, 2017**

(51) **LOC (12) Cl.** ..... **03-03**

(52) **U.S. Cl.**  
USPC ..... **D3/8; D8/396**

(58) **Field of Classification Search**  
USPC ..... D3/5, 7, 8, 10; D8/382, 394, 396  
CPC ..... A45B 9/00; A45B 2009/002; F16B 2001/0035; F16B 7/00; F16B 7/04; F16B 7/0433; F16L 3/00; F16L 3/08  
See application file for complete search history.

(56) **References Cited**

**U.S. PATENT DOCUMENTS**

2,702,683	A *	2/1955	Cosser	.....	B67D 7/38 141/311 R
2,975,497	A *	3/1961	Budreck	.....	A44B 15/002 24/303
4,002,349	A *	1/1977	Dopp	.....	A63C 11/021 280/809
D306,553	S *	3/1990	Rumpel	.....	D8/395
5,392,800	A *	2/1995	Sergi	.....	A45B 3/00 135/65
5,456,437	A *	10/1995	Chander	.....	A45B 1/04 211/62

5,664,713	A *	9/1997	Burgstahler	.....	A45F 3/14 135/66
D392,180	S *	3/1998	Bilow	.....	D8/382
D418,286	S *	1/2000	Skeppstedt	.....	D3/10
D423,994	S *	5/2000	Helwig	.....	D12/133
D440,005	S *	4/2001	Blanton	.....	24/16 R
6,561,206	B1 *	5/2003	Wilkinson	.....	A61H 3/0244 135/65
D487,015	S *	2/2004	Kalbach	.....	D16/339
6,708,831	B1 *	3/2004	Balassi	.....	A61H 3/0244 135/65

(Continued)

*Primary Examiner* — John Windmuller

*Assistant Examiner* — Steven J Czyz

(74) *Attorney, Agent, or Firm* — Smyrski Law Group, A P.C.

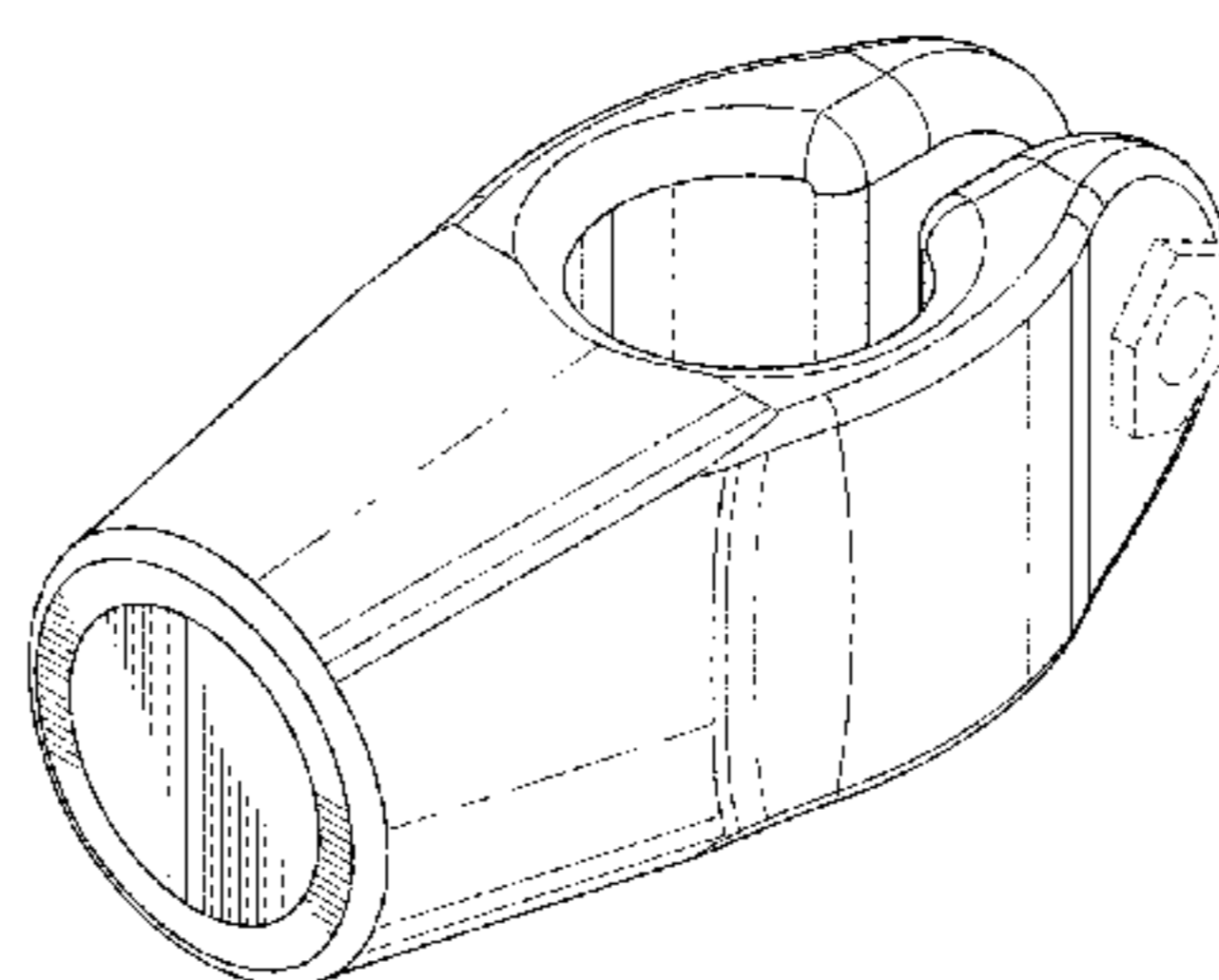
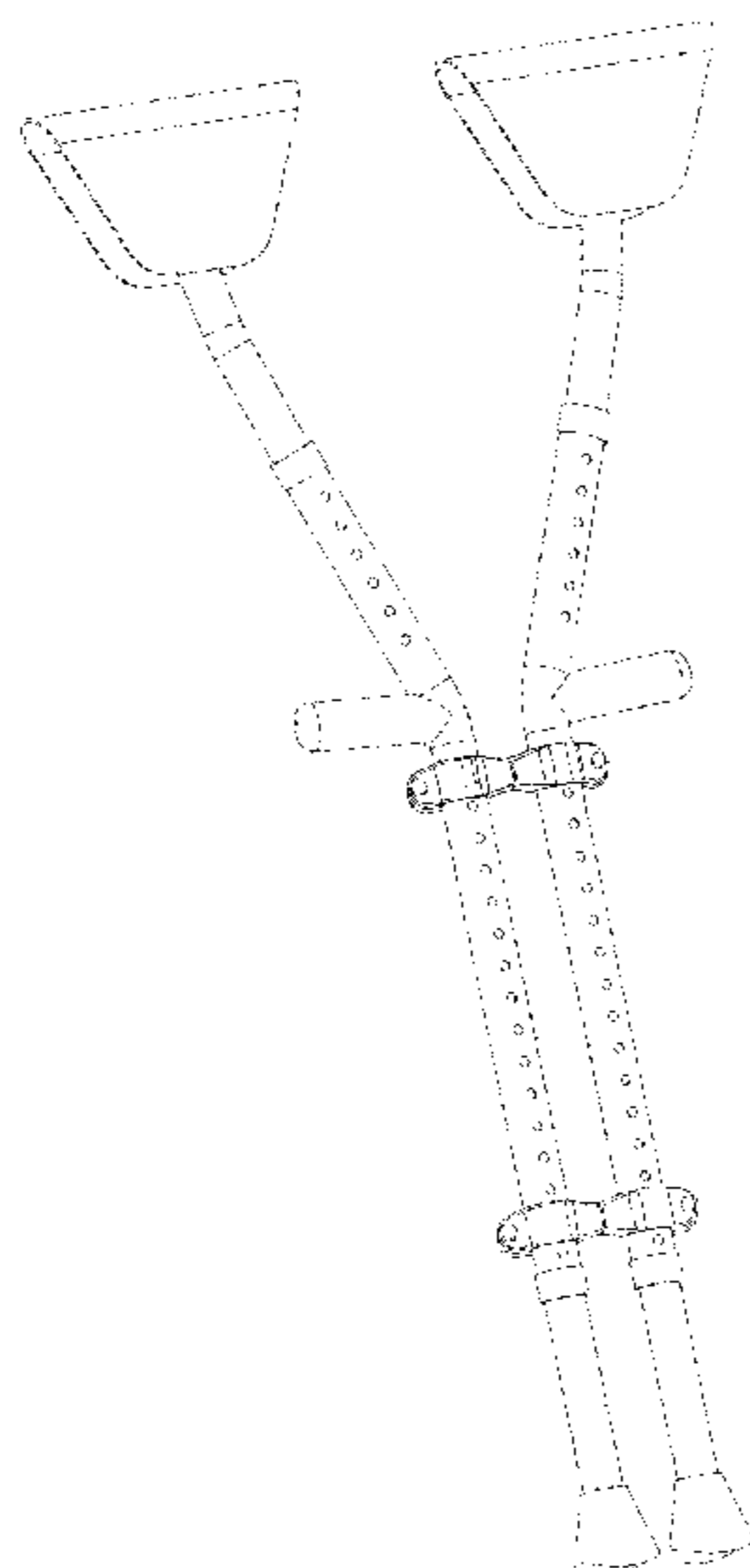
(57) **CLAIM**

The ornamental design for a crutch connector arrangement, as shown and described.

**DESCRIPTION**

FIG. 1 is a perspective view of a crutch connector arrangement, showing our new design with the two pieces joined; FIG. 2 is a perspective view of the crutch connector arrangement, shown with the two pieces separated; FIG. 3 is a perspective view of just one of the two pieces of the crutch connector arrangement, shown separately for ease of disclosure; FIG. 4 is a front view thereof; FIG. 5 is a rear view thereof; FIG. 6 is a right side view thereof; FIG. 7 is a left side view thereof; FIG. 8 is a top plan view thereof; and, FIG. 9 is a bottom plan view thereof. The broken lines depict portions of the article and environment that form no part of the claimed design.

**1 Claim, 6 Drawing Sheets**



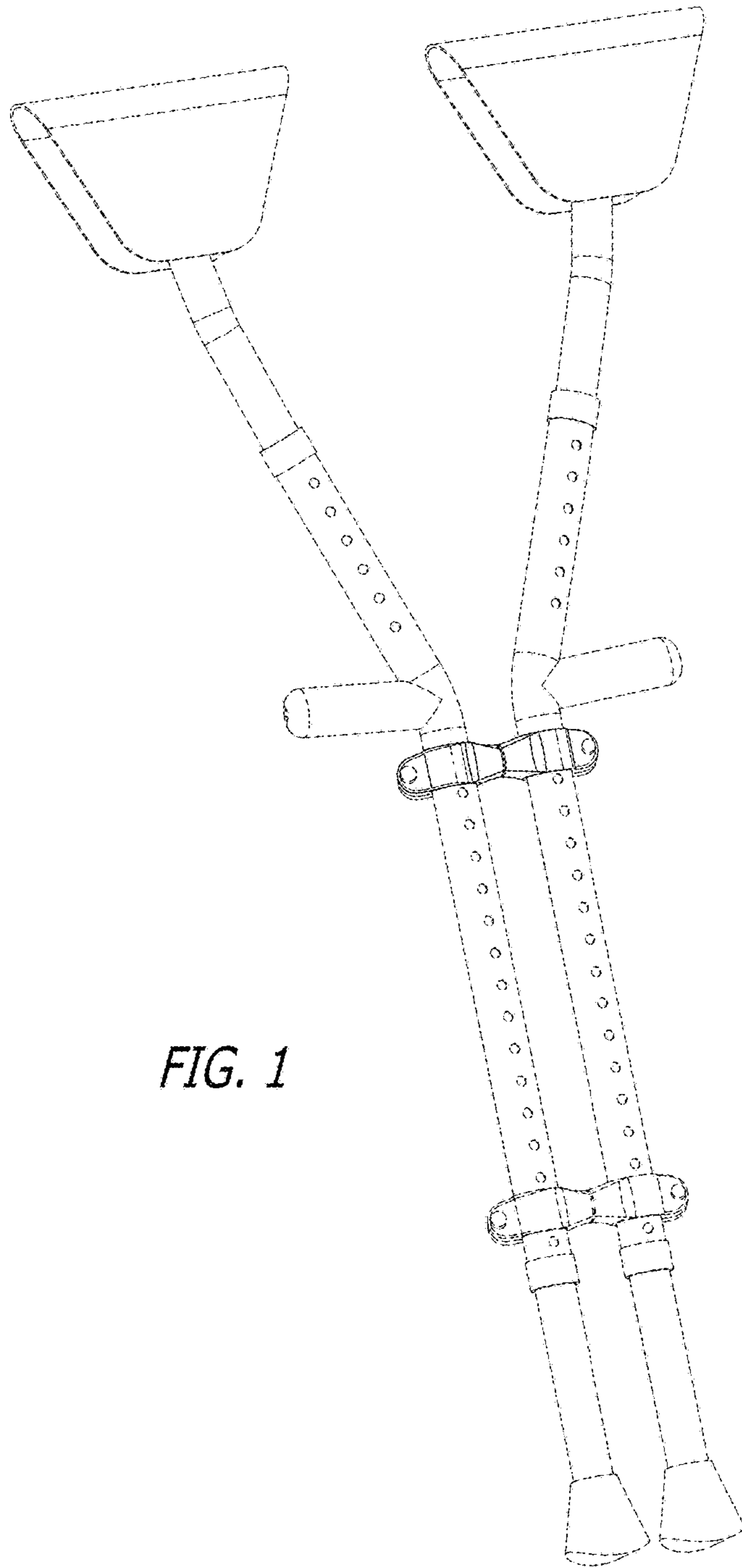
(56)

**References Cited**

U.S. PATENT DOCUMENTS

D576,024 S *	9/2008	Mazzocco .....	D8/382
D586,649 S *	2/2009	Fleischman .....	D8/396
D587,563 S *	3/2009	Fleischman .....	D8/396
D587,564 S *	3/2009	Kodi .....	D8/354
D660,690 S *	5/2012	Mixides .....	D8/396
D690,190 S *	9/2013	McGrath .....	D8/394
D690,997 S *	10/2013	Zemel .....	D7/590
D727,138 S *	4/2015	Cross .....	D8/382
D732,009 S *	6/2015	Bak .....	D14/229
D765,647 S *	9/2016	Lee .....	D14/253
D806,527 S *	1/2018	Baker, Jr. ....	D8/396
D808,256 S *	1/2018	Muller .....	D8/396

\* cited by examiner



*FIG. 1*

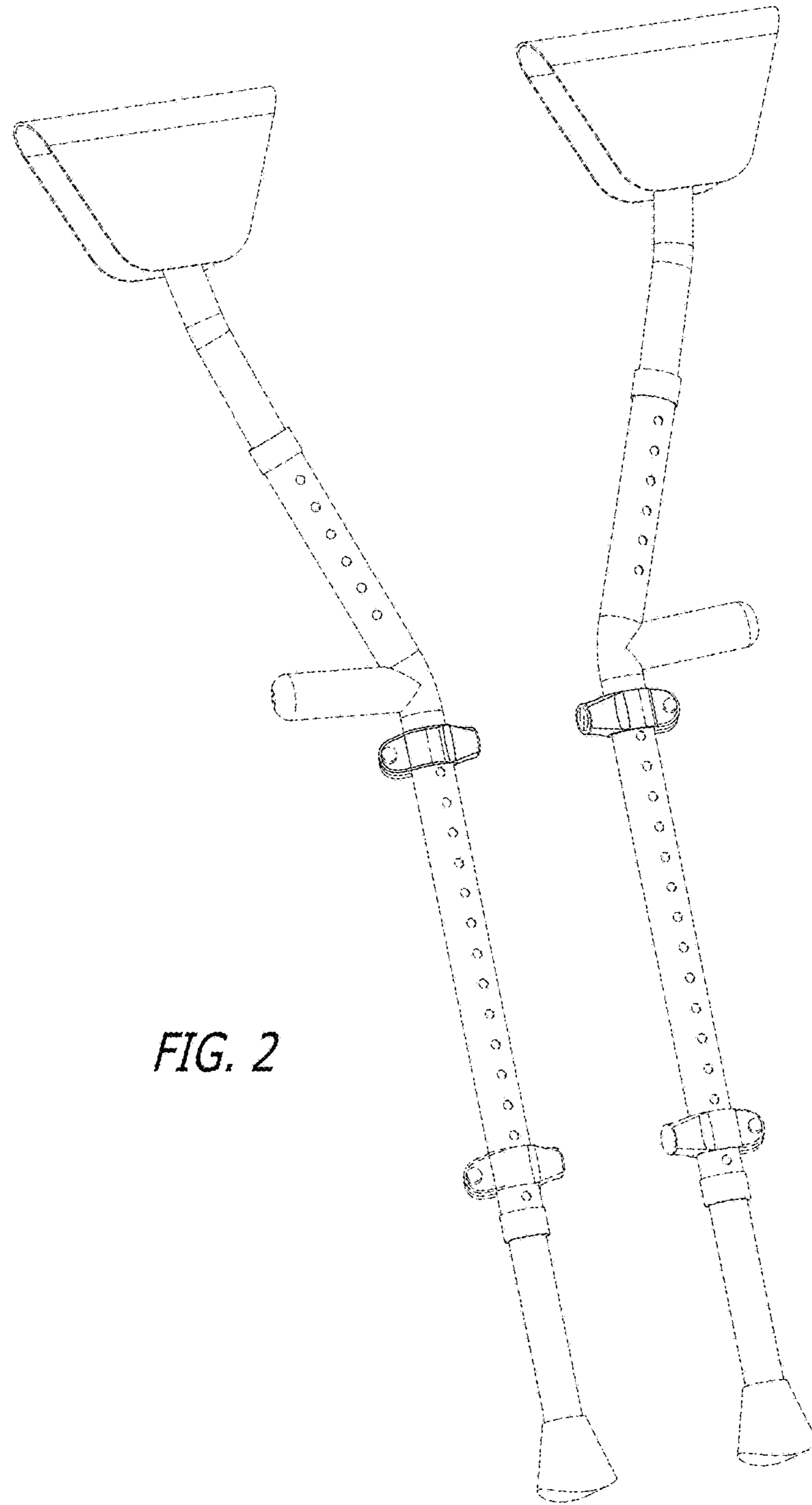
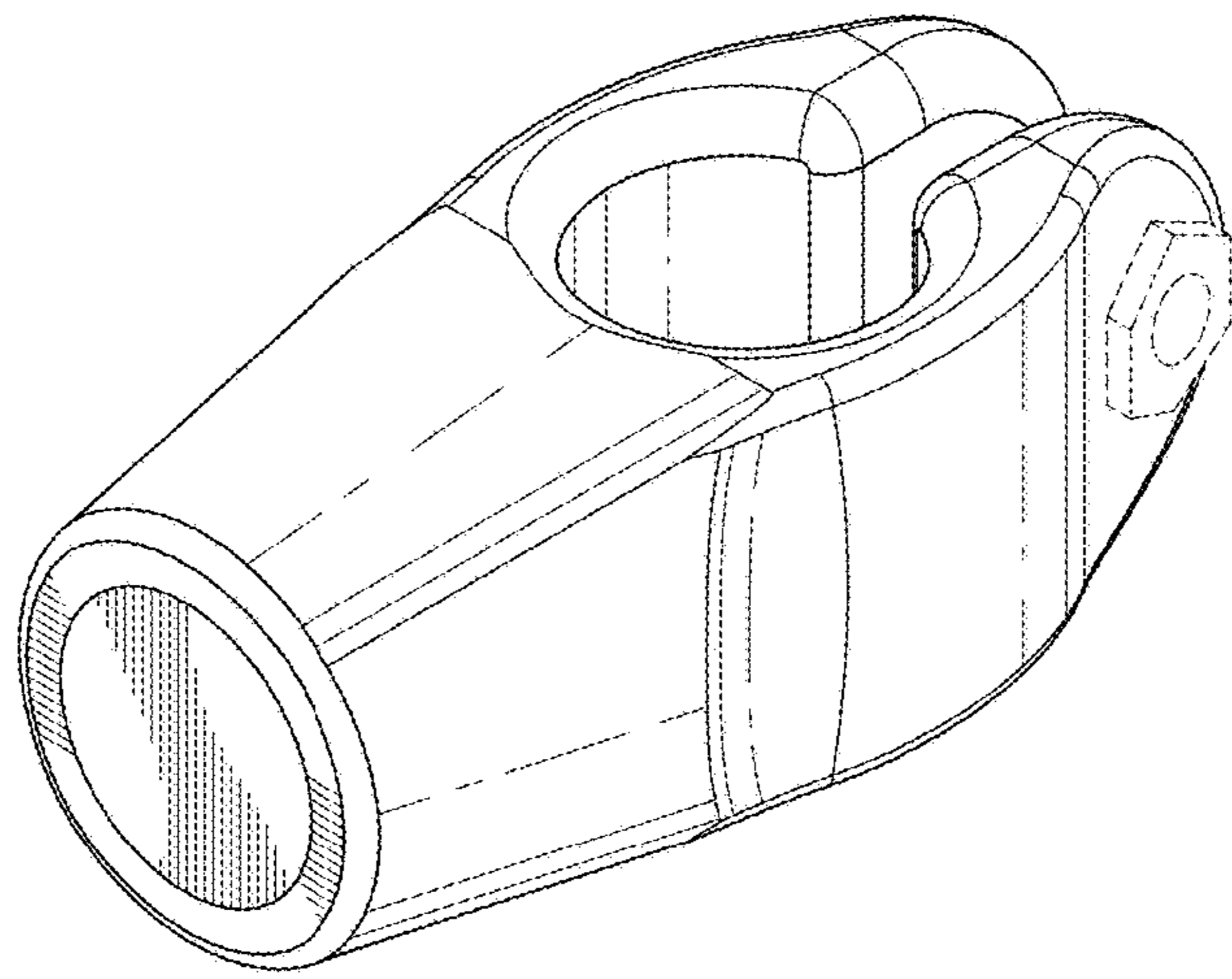
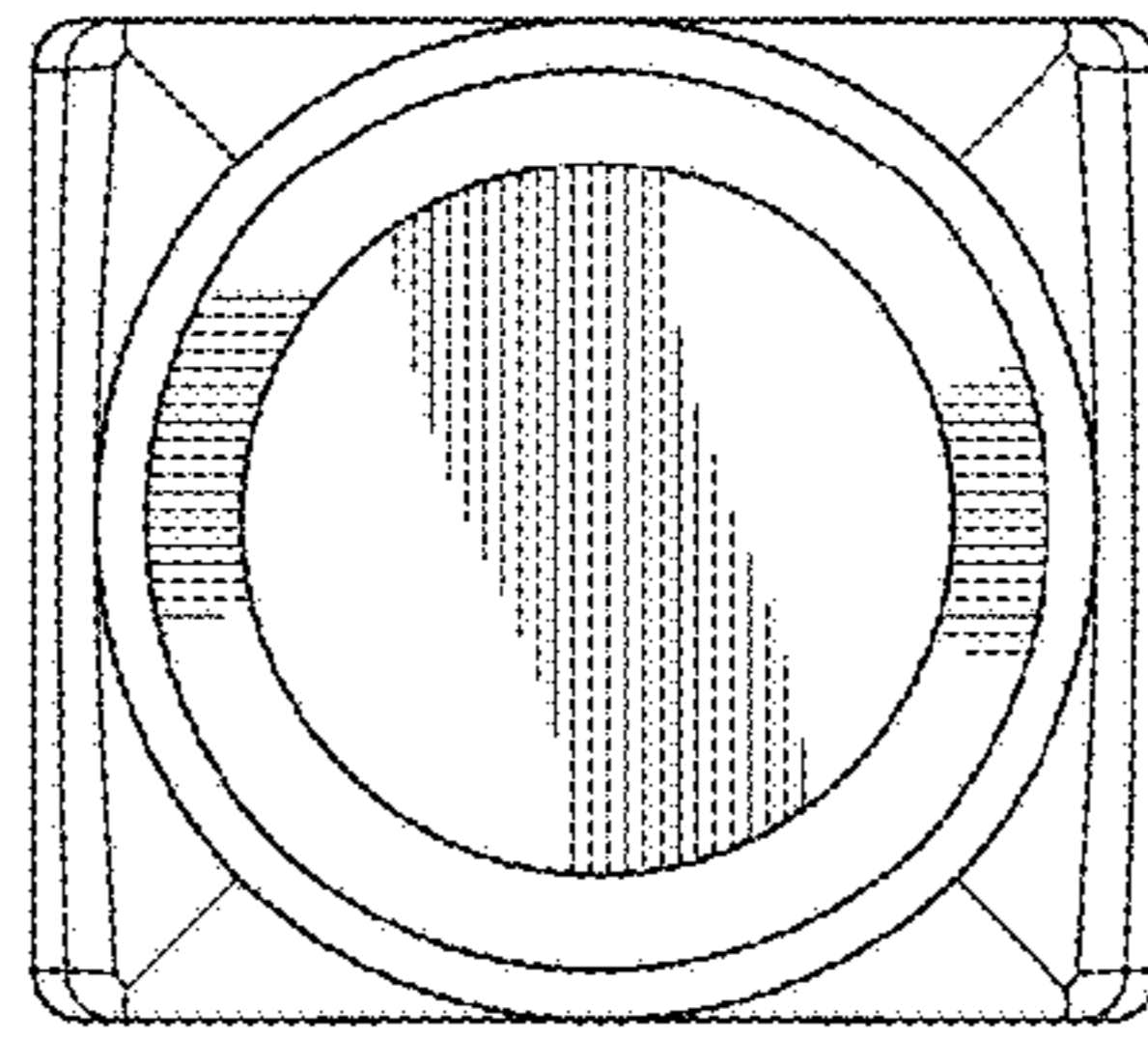


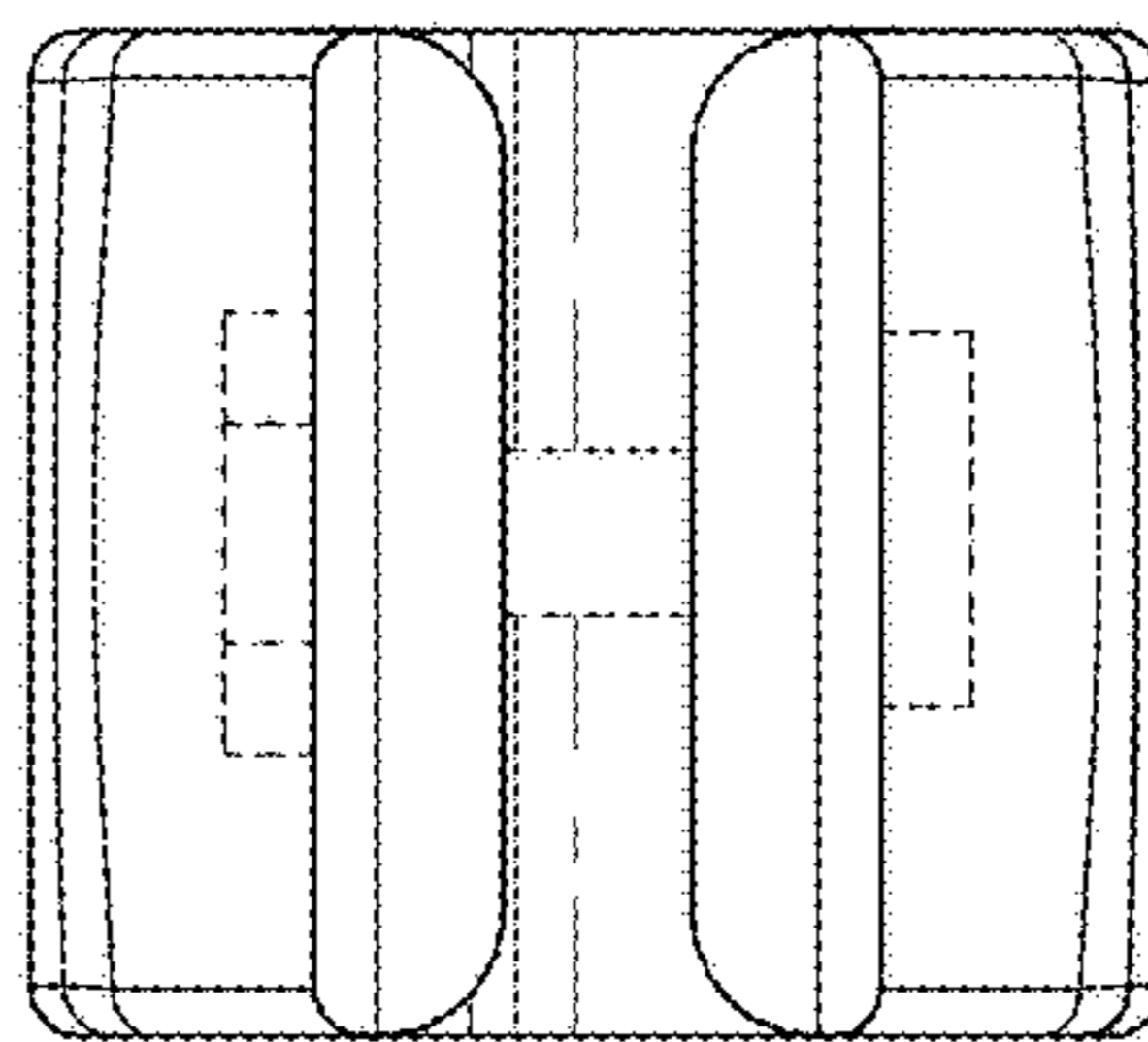
FIG. 2



*FIG. 3*



*FIG. 4*



*FIG. 5*

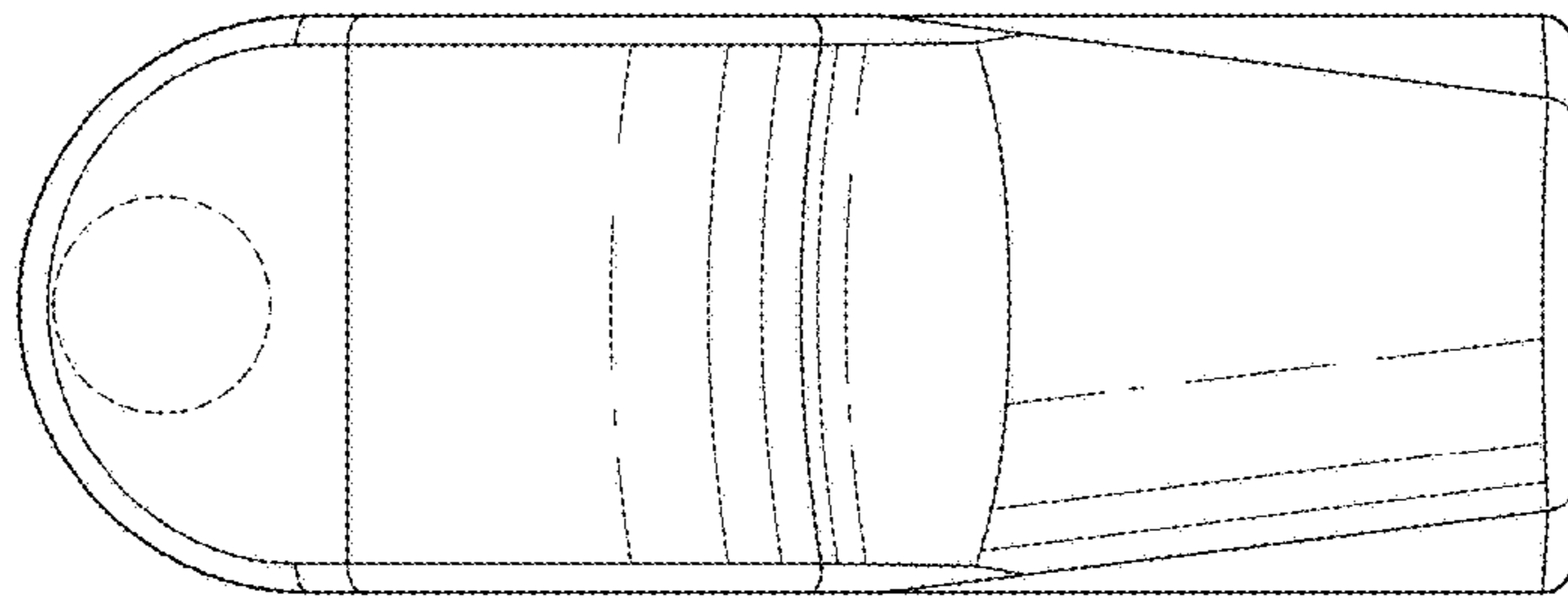


FIG. 6

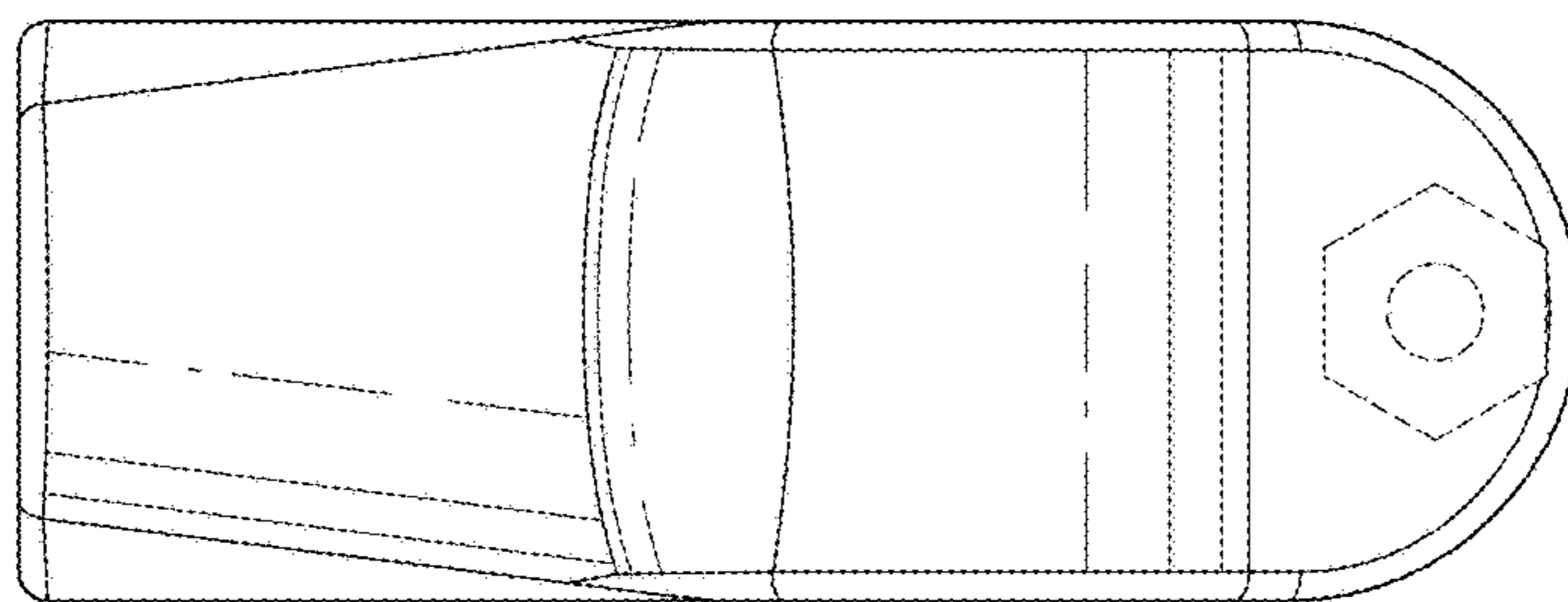


FIG. 7

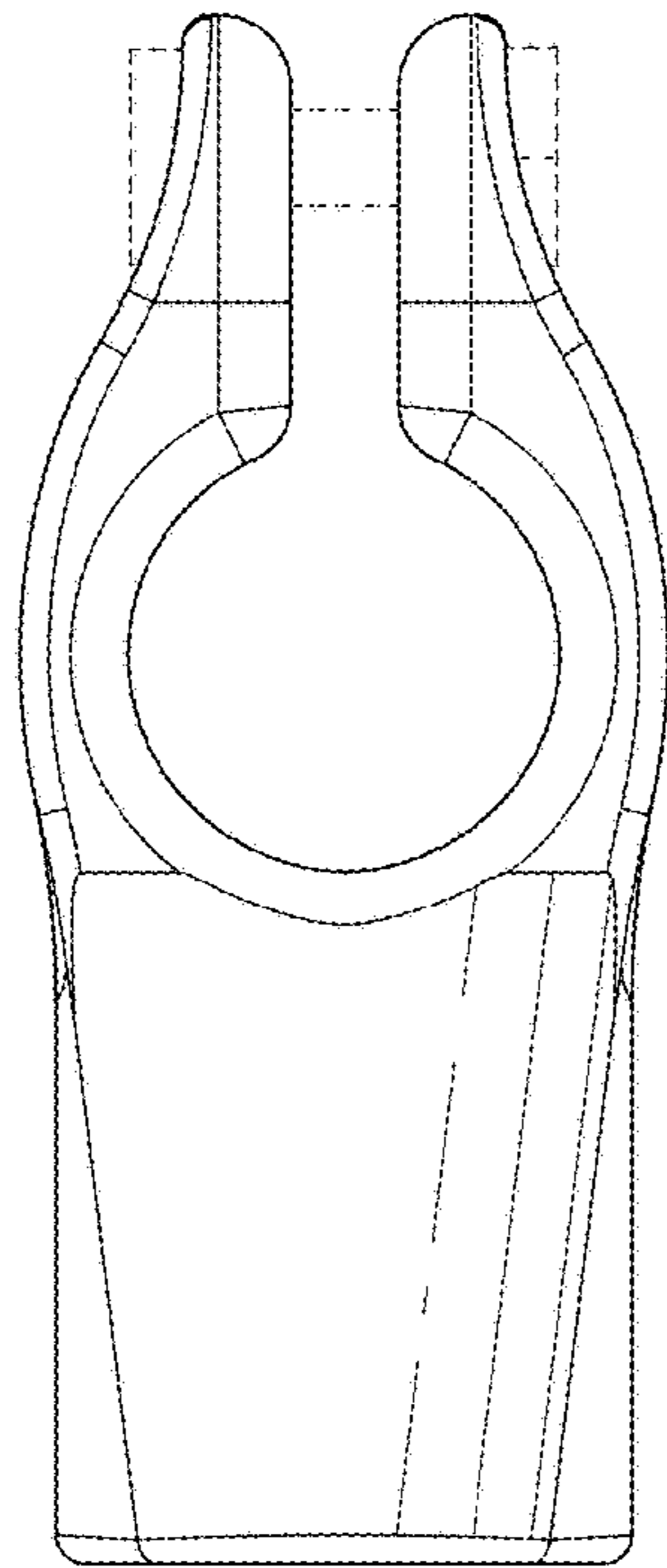


FIG. 8

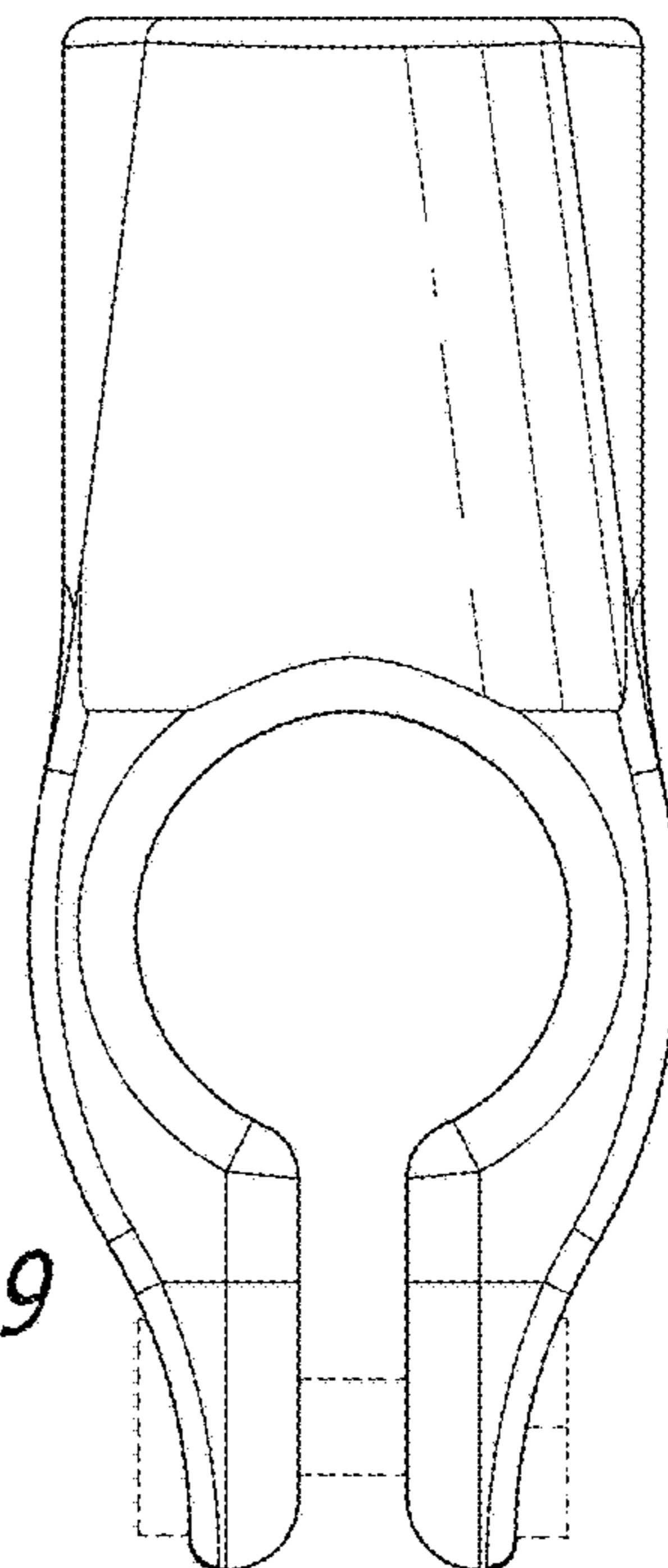


FIG. 9