



US00D866162S

(12) **United States Design Patent** (10) **Patent No.:** **US D866,162 S**  
**Makere** (45) **Date of Patent:** **\*\* Nov. 12, 2019**

(54) **SHOE**  
(71) Applicant: **Converse Inc.**, Boston, MA (US)  
(72) Inventor: **Alyssa Makere**, Boston, MA (US)  
(73) Assignee: **Converse Inc.**, Boston, MA (US)  
(\*\*) Term: **15 Years**  
(21) Appl. No.: **29/638,643**

(22) Filed: **Feb. 28, 2018**  
(51) **LOC (12) Cl.** ..... **02-04**  
(52) **U.S. Cl.**  
USPC ..... **D2/978**; D2/976  
(58) **Field of Classification Search**  
USPC ..... D2/911, 916, 925, 927, 928, 929, 930,  
D2/931-933, 935, 943, 976, 978  
CPC ..... A43B 19/00; A43B 17/14; A41F 9/002;  
A41F 9/00  
See application file for complete search history.

(56) **References Cited**

**U.S. PATENT DOCUMENTS**

D92,935 S *	7/1934	Stern	.....	D2/930
D143,689 S *	1/1946	Vivier	.....	D2/932
D298,685 S	11/1988	Dillard		
D314,414 S *	2/1991	Wendt	.....	D2/916
D346,894 S	5/1994	Hatfield		
D358,021 S *	5/1995	Vestuti	.....	D2/902
D360,520 S *	7/1995	Bailey	.....	D2/916
D527,886 S	9/2006	Morris		
D710,075 S *	8/2014	Choi	.....	D2/929
D729,506 S *	5/2015	Louboutin	.....	D2/932
D742,105 S *	11/2015	Negri	.....	D2/929
D751,282 S *	3/2016	Larue	.....	D2/946
D765,386 S	9/2016	Petrie		
D771,916 S *	11/2016	Helwig	.....	D2/916
D773,789 S *	12/2016	Slimane	.....	D2/925
D775,797 S *	1/2017	Sassi	.....	D2/929

D792,078 S	7/2017	Greenspan		
D793,704 S	8/2017	Durand		
D794,315 S	8/2017	Kanata		
D795,557 S	8/2017	Salzano		
D796,182 S	9/2017	Salzano		
D803,542 S *	11/2017	Schwartz	.....	D2/978
D804,799 S	12/2017	Petrenka		

**FOREIGN PATENT DOCUMENTS**

KR 300661479 \* 10/2012

**OTHER PUBLICATIONS**

Shiny Strap Shoes posted by LAKIOLINS posted date Aug. 13, 2018, © Amazon, [online], [site visited Jun. 19, 2019]. Available from Internet, <https://www.amazon.com/Little-Girls-Shiny-Straps-Silver> (Year: 2018).\*

(Continued)

*Primary Examiner* — Garth Rademaker  
*Assistant Examiner* — Laura H Yu  
(74) *Attorney, Agent, or Firm* — Banner & Witcoff, Ltd.

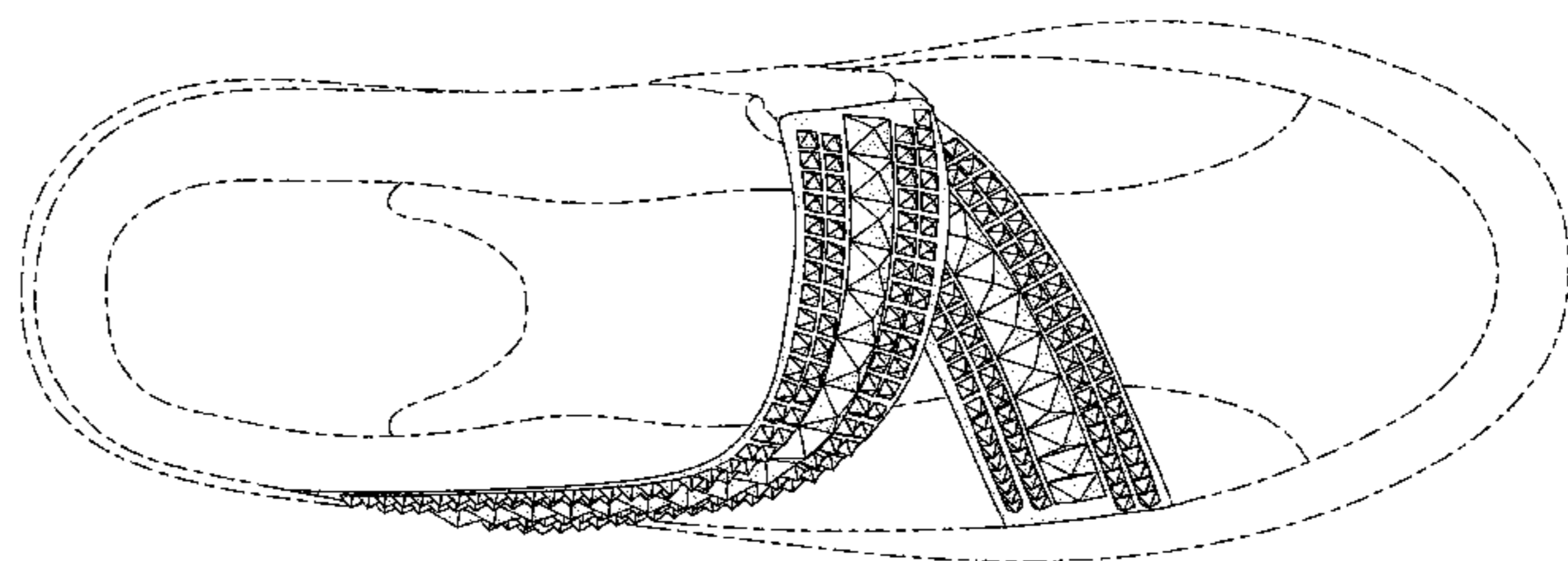
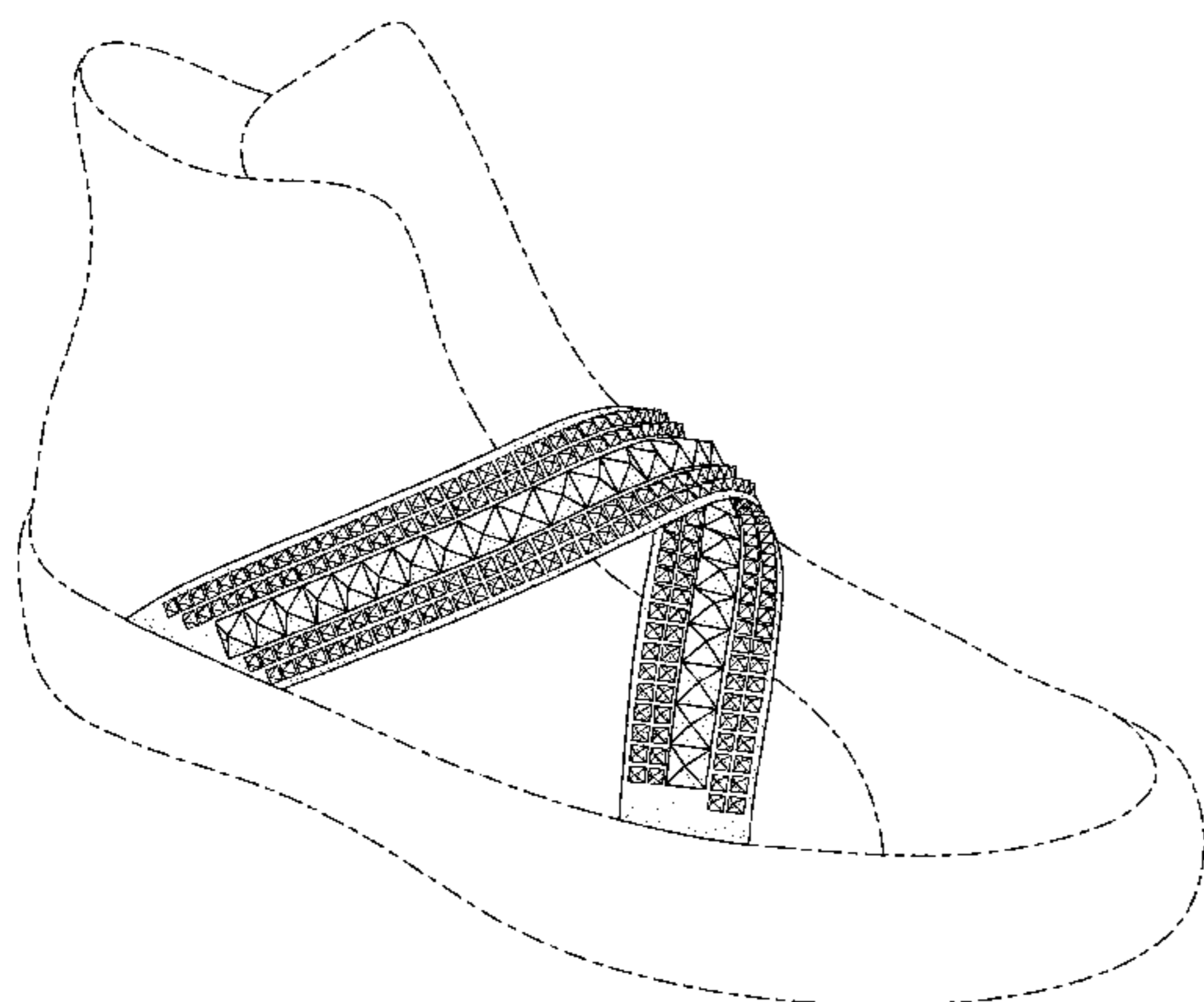
(57) **CLAIM**

The ornamental design for a shoe, as shown and described.

**DESCRIPTION**

FIG. 1 is a front perspective view of a shoe showing my new design;  
FIG. 2 is a side view thereof;  
FIG. 3 is a rear perspective view thereof;  
FIG. 4 is an opposite rear perspective view thereof;  
FIG. 5 is an opposite side view thereof;  
FIG. 6 is a front view thereof; and,  
FIG. 7 is a top view thereof.  
The broken lines illustrate portions of a shoe that form no part of the claimed design.

**1 Claim, 7 Drawing Sheets**



(56)

**References Cited**

OTHER PUBLICATIONS

Cross Trainers posted by PUMA posted date Jan. 6, 2017, © Amazon, [online], [site visited Jun. 19, 2019]. Available from Internet, <https://www.amazon.com/PUMA-Womens-Cross-Trainer-Black-Royal-Purple/> (Year: 2017).\*

Is the Converse Chuck Taylor II Really Better Than the Original? [online], [retrieved Jan. 25, 2018] retrieved from Internet <URL: <https://solecollector.com/news/2015/08/converse-chuck-2-comparison/>>; 11 color sheets Dated Aug. 1, 2015.

The Nike Lebron Soldier 9 Is Ready for Battle With “Desert Storm” Colorway [online], [retrieved Jan. 25, 2018] retrieved from Internet <URL: <https://sneakernews.com/2016/03/28/the-nike-lebron-soldier-9-is-ready-for-battle-with-desert-storm-colorway/>>; 4 color sheets Dated Mar. 28, 2016.

\* cited by examiner

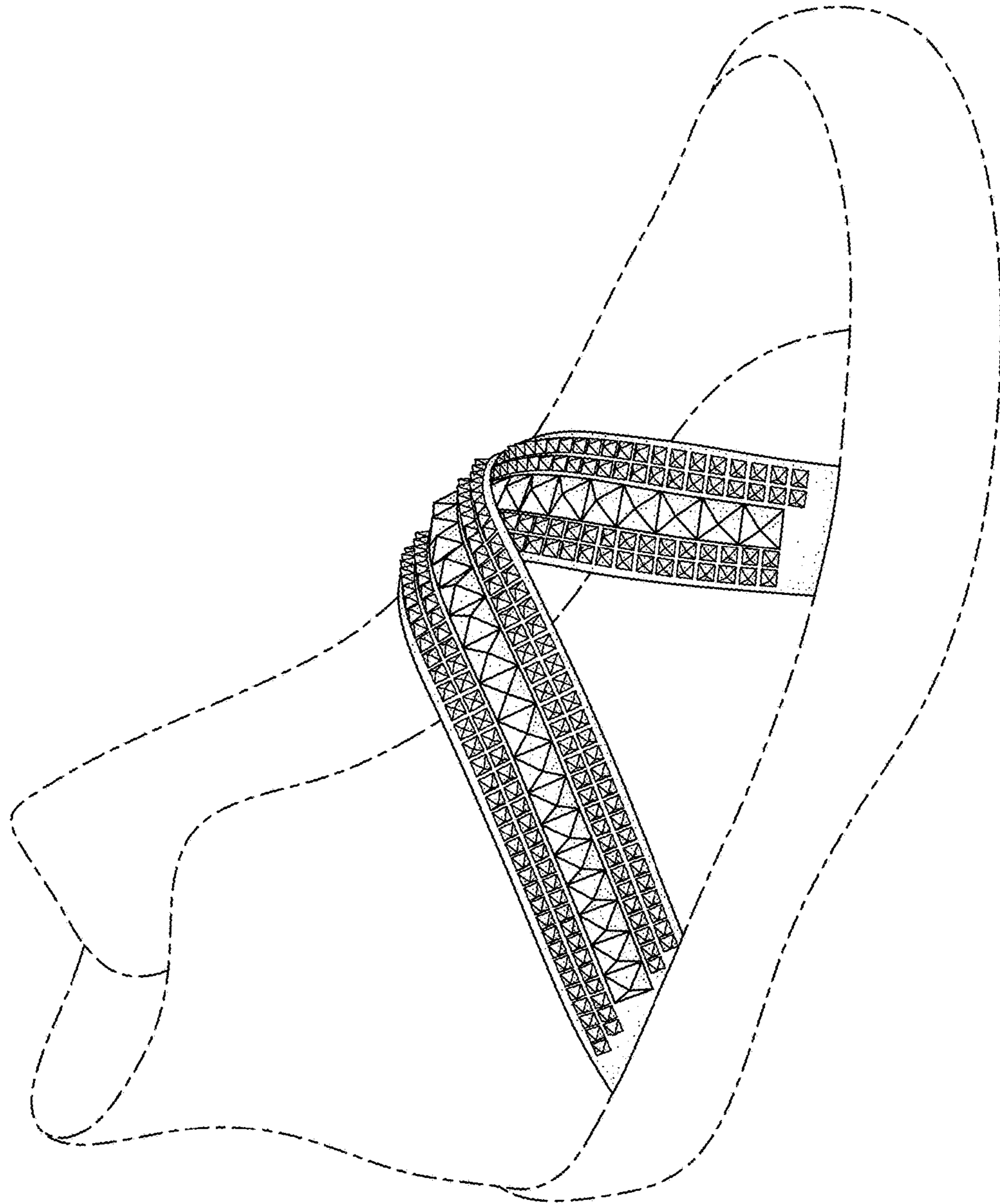


FIG. 1

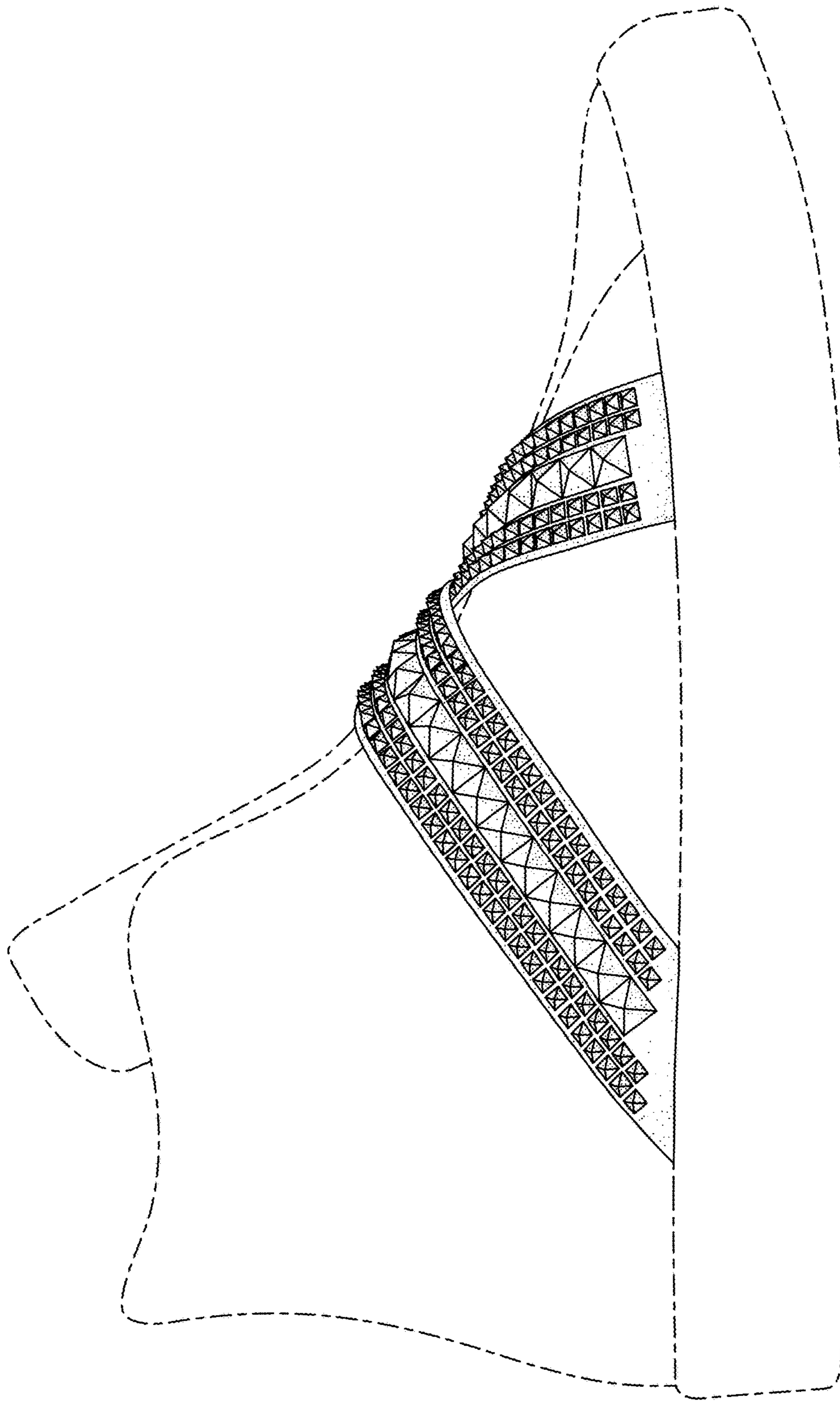


FIG. 2

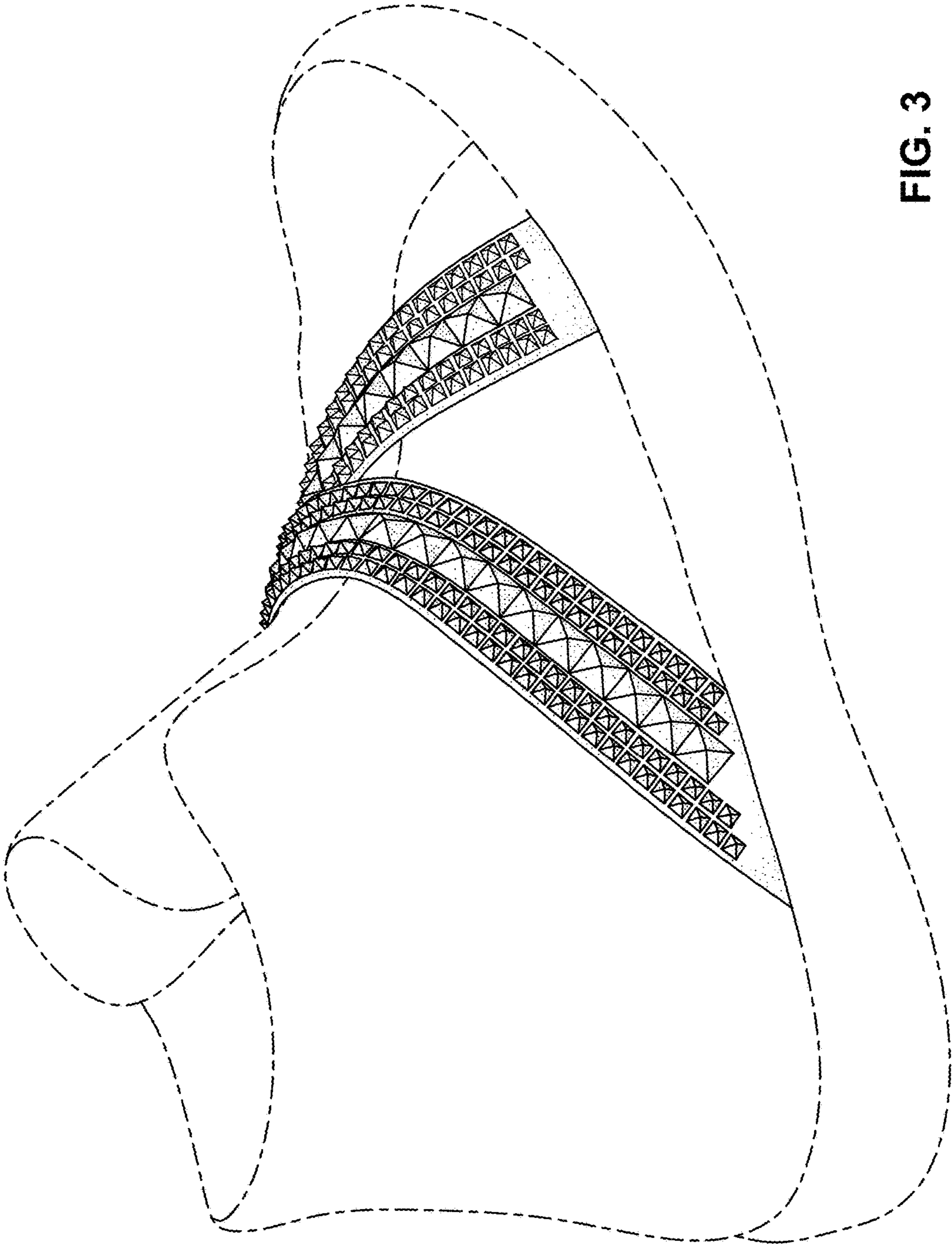


FIG. 3

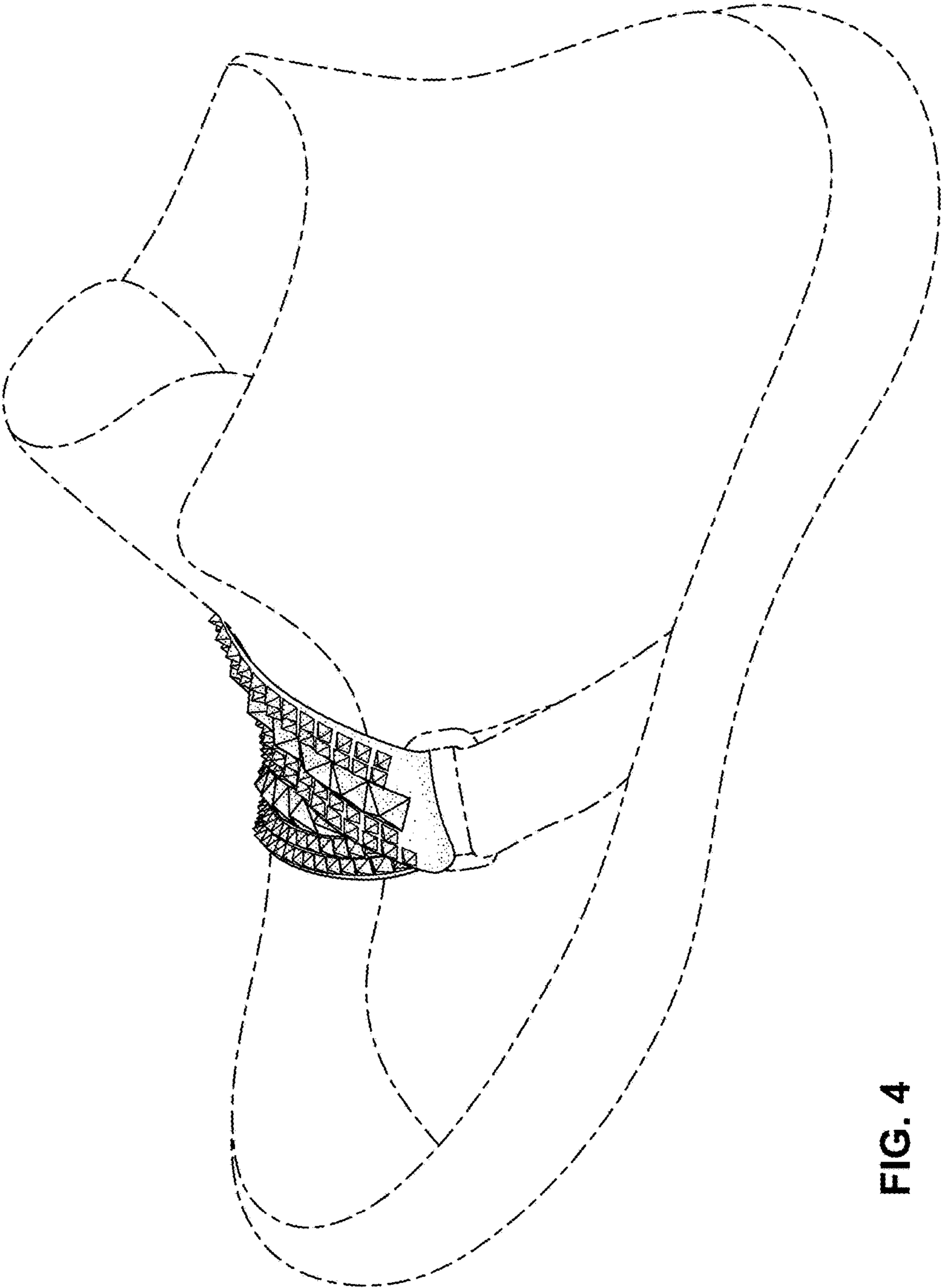


FIG. 4

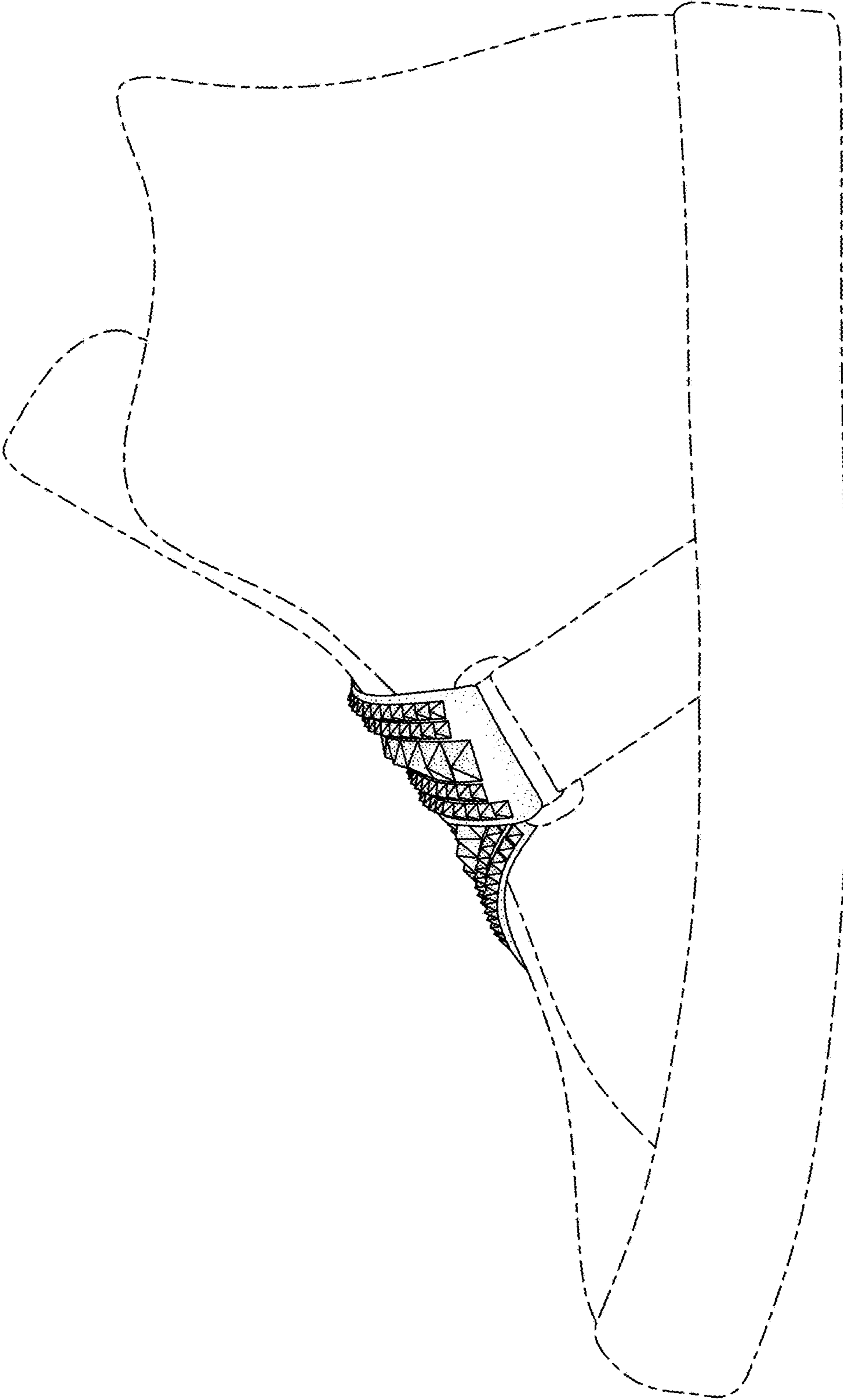


FIG. 5

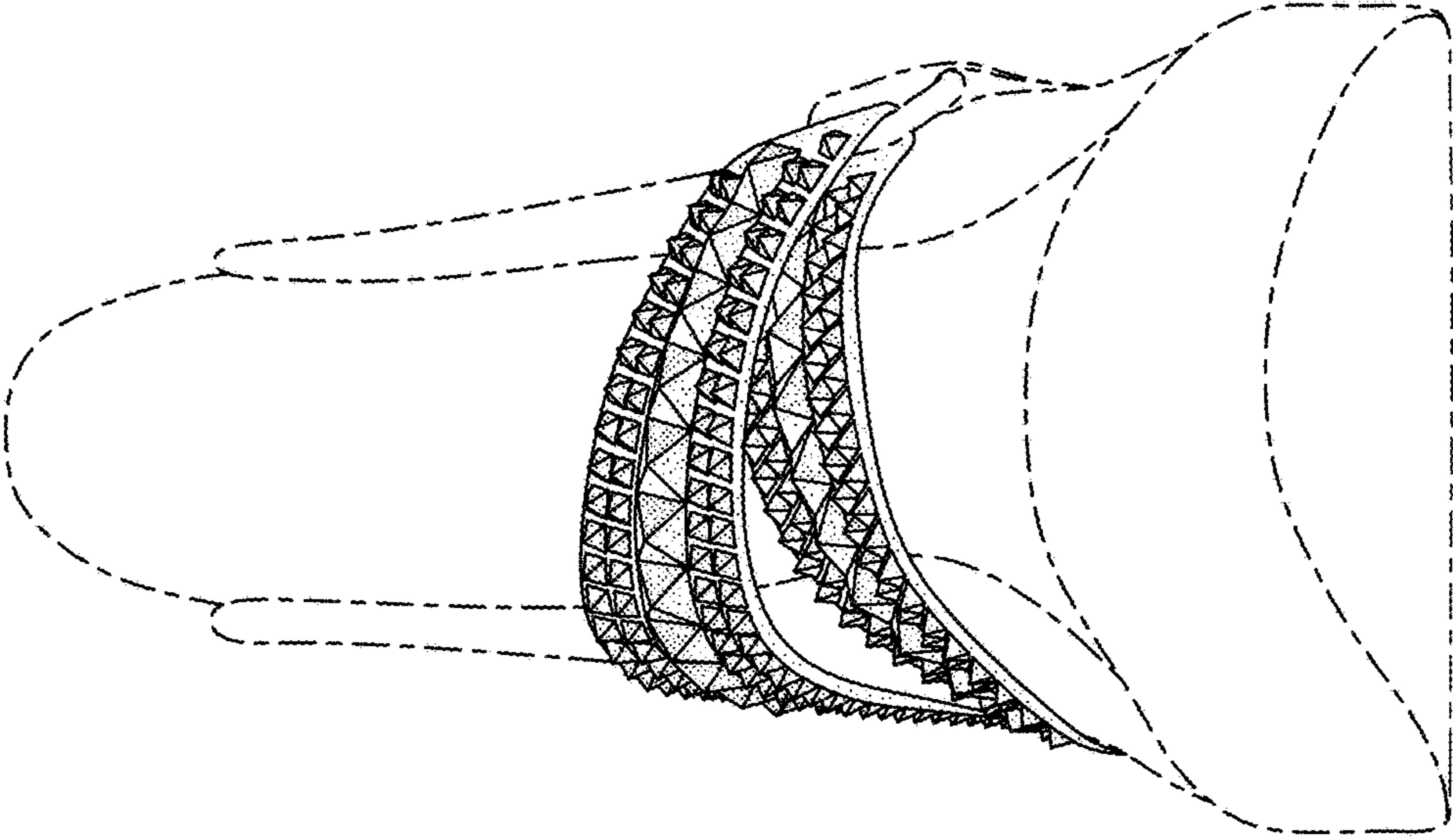


FIG. 6



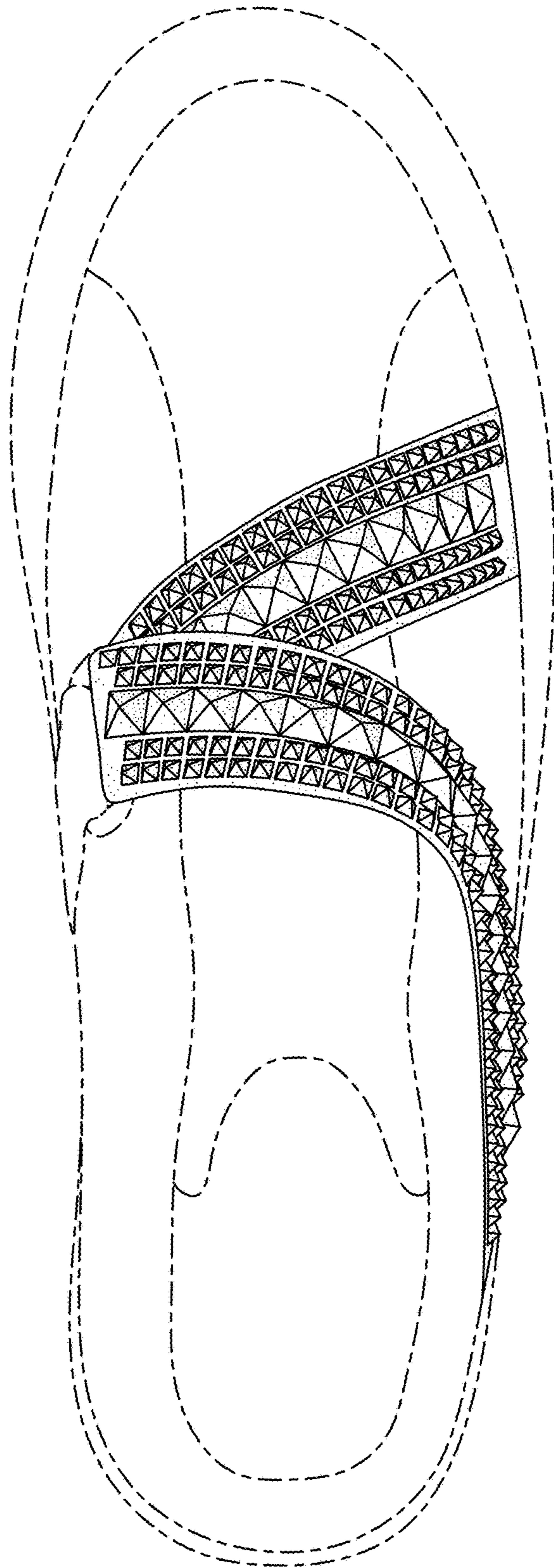


FIG. 7