



US00D866133S

(12) **United States Design Patent** (10) **Patent No.:** **US D866,133 S**
Adams (45) **Date of Patent:** **** Nov. 12, 2019**

(54) **SHOE WITH WHEEL**

(71) Applicant: **HEELING SPORTS LIMITED**,
Carrollton, TX (US)

(72) Inventor: **Roger R. Adams**, The Colony, TX
(US)

(73) Assignee: **Heeling Sports Limited**, Carrollton,
TX (US)

(**) Term: **15 Years**

(21) Appl. No.: **29/582,417**

(22) Filed: **Oct. 27, 2016**

Related U.S. Application Data

(63) Continuation of application No. 14/991,553, filed on Jan. 8, 2016, now Pat. No. 9,776,067, which is a continuation of application No. 14/253,512, filed on Apr. 15, 2014, now Pat. No. 9,242,169, which is a continuation of application No. 13/666,684, filed on Nov. 1, 2012, now abandoned, which is a continuation of application No. 12/592,440, filed on Nov. 23, 2009, now Pat. No. 8,480,095, which is a continuation of application No. 11/656,595, filed on Jan. 22, 2007, now Pat. No. 7,621,540, which is a continuation of application No. 11/317,977, filed on
(Continued)

(51) **LOC (12) Cl.** **02-04**

(52) **U.S. Cl.**
USPC **D2/946**

(58) **Field of Classification Search**

USPC D2/896, 897, 900, 902, 907, 908, 909,
D2/912, 919, 920, 923, 929, 942, 943,
D2/944, 945, 946, 951, 953, 955, 960,
D2/969, 972, 974, 976; D21/763, 771
CPC A43B 1/04; A43B 5/06; A43B 5/10; A43B
23/24; A43B 23/00; A43B 5/1633
See application file for complete search history.

(56) **References Cited**

U.S. PATENT DOCUMENTS

132,474 A 10/1872 Lindley
202,191 A 4/1878 Proctor

(Continued)

Primary Examiner — Kevin K Rudzinski

Assistant Examiner — Clare Ann Gannon

(74) *Attorney, Agent, or Firm* — Locke Lord LLP; Scott D. Wofsy; Andrew Smith

(57) **CLAIM**

The ornamental design for a shoe with wheel, as shown and described.

DESCRIPTION

FIG. 1 is a left side elevational view of a shoe with wheel according to my new design;

FIG. 2 is a bottom elevational view thereof;

FIG. 3 is a front elevational view thereof, showing the wheel with the remainder of the shoe removed for convenience of illustration;

FIG. 4 is a right side elevational view thereof, the left side elevational view being a mirror image thereof;

FIG. 5 is a rear elevational view thereof;

FIG. 6 is a perspective view thereof;

FIG. 7 is a front, right exploded perspective view thereof, showing the wheel and remainder of the shoe removed for convenience of illustration;

FIG. 8 is a front, right unexploded perspective view thereof;

FIG. 9 is a front elevational view thereof;

FIG. 10 is a rear elevational view thereof;

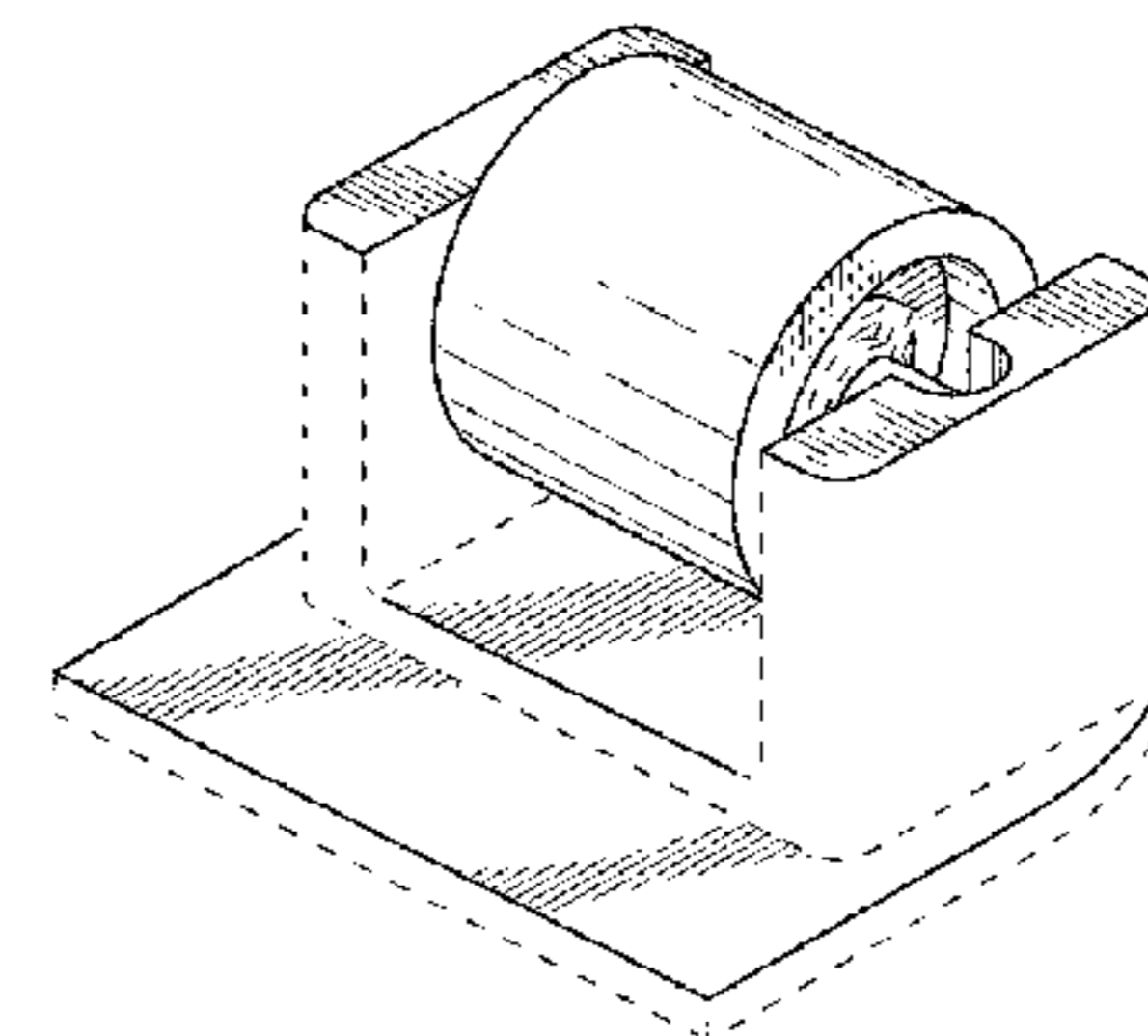
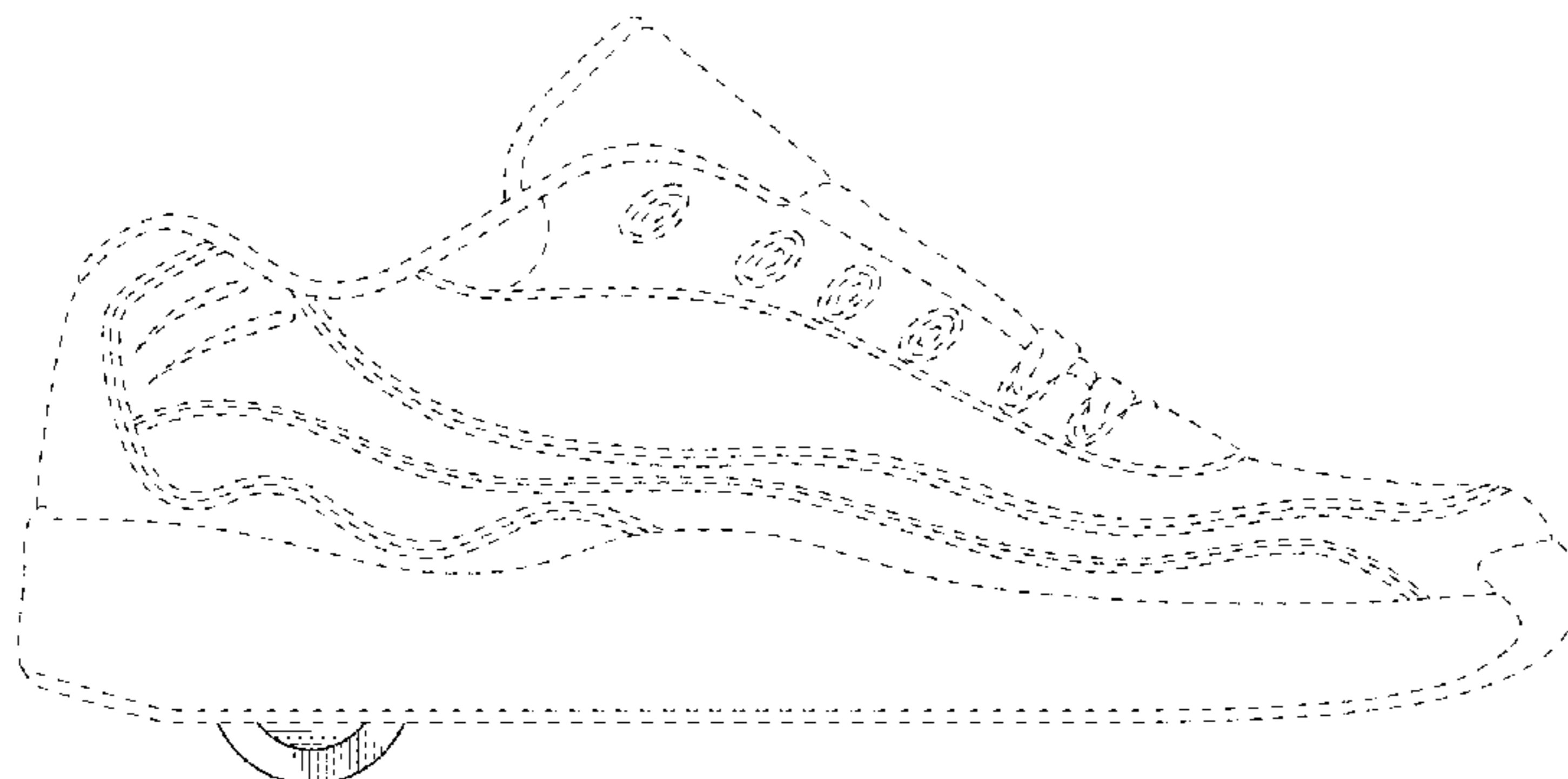
FIG. 11 is a right side elevational view thereof, the left side elevational view being a mirror image thereof;

FIG. 12 is a bottom elevational view thereof; and,

FIG. 13 is a top elevational view thereof.

The broken lines shown in the drawings illustrate portions of the shoe with wheel that form no part of the claimed design.

1 Claim, 6 Drawing Sheets



Related U.S. Application Data

Dec. 22, 2005, now Pat. No. 7,165,773, which is a continuation of application No. 10/863,090, filed on Jun. 7, 2004, now Pat. No. 6,979,003, which is a continuation of application No. 10/076,954, filed on Feb. 15, 2002, now Pat. No. 6,746,026, which is a continuation of application No. 09/540,125, filed on Mar. 31, 2000, now Pat. No. 6,450,509.

2,723,467 A	11/1955	Cassidy	
2,897,609 A	8/1959	Bodkin	
2,927,798 A *	3/1960	Jones	A63C 17/02 280/11.26
3,010,732 A	11/1961	Correll	
3,027,661 A	4/1962	McCord	
3,032,894 A	5/1962	Kennedy et al.	
3,112,119 A *	11/1963	Sweet	A63C 17/08 280/11.209
3,176,416 A	4/1965	Seegert	
3,180,651 A *	4/1965	Ware	A63C 17/14 280/11.209
3,281,971 A	11/1966	Weitzner	
3,306,623 A *	2/1967	Weitzner	A63C 17/04 280/11.19

(56)

References Cited

U.S. PATENT DOCUMENTS

234,030 A	11/1880	Hadley et al.	
487,779 A	12/1892	Schoen	
508,617 A	11/1893	Hoerle	
579,577 A	3/1897	Hanscom	
702,476 A	6/1902	Price	
875,560 A	12/1907	Vaughan	
881,079 A	3/1908	Jolitz	
892,152 A	6/1908	Harman	
966,821 A	8/1910	Gaw	
968,020 A	8/1910	Yandoll	
1,051,880 A	2/1913	Glenn	
1,056,091 A	3/1913	Dickson	
1,068,575 A	7/1913	Demorey et al.	
1,154,370 A	9/1915	Burke	
1,189,329 A	7/1916	Winagle	
1,260,901 A	3/1918	Hayhurst	
1,369,849 A	3/1921	Spencer	
1,428,232 A	9/1922	Holmen	
1,468,682 A	9/1923	Wallace	
1,478,587 A	12/1923	Stoner	
1,502,087 A	7/1924	Bums	
1,592,692 A	7/1926	Hackett	
1,600,075 A	9/1926	Stoops	
1,608,368 A	11/1926	Bugg	
1,633,272 A	6/1927	Pribil	
1,636,909 A	7/1927	Haney	
1,690,696 A	11/1928	Norwood	
1,702,591 A	2/1929	Brown	
1,711,451 A	4/1929	Gibson	
1,751,942 A	3/1930	Nanz	
1,846,265 A *	2/1932	Lang	A63C 17/22 280/11.225
1,866,006 A	7/1932	Bergstrand	
1,888,617 A	11/1932	Bridi	
1,975,661 A	10/1934	Powell	
1,984,989 A	12/1934	Reed	
1,998,624 A	4/1935	Hughes	
2,000,396 A	5/1935	Keller	
2,060,391 A	11/1936	Castagnola	
2,095,942 A	10/1937	Wetterstrand	
2,113,477 A	4/1938	Gilman	
2,114,461 A	4/1938	Agosta et al.	
2,114,791 A	4/1938	Venables	
2,138,823 A	12/1938	Werkman	
2,165,581 A	7/1939	Schroeder	
D117,585 S *	11/1939	Sperry	D2/953
D117,918 S	12/1939	Brodict	
2,400,535 A *	5/1946	Celmer	A43B 5/12 280/11.19
D146,368 S	2/1947	McCaffrey	
2,422,228 A	6/1947	Ferrar	
2,466,611 A	4/1949	Nicoletti	
2,476,806 A	7/1949	Brandt, Jr.	
2,484,935 A	10/1949	De Rooy	
2,490,469 A	12/1949	Pittman	
2,505,154 A	4/1950	Smith	
2,526,548 A	10/1950	Franklin	
D161,557 S	1/1951	Walker et al.	
2,572,671 A	10/1951	Shaw	
2,582,551 A	1/1952	Malherbe	
2,632,964 A	3/1953	Kriegel	
2,669,038 A	2/1954	De Werth	
2,721,400 A	10/1955	Israel	

3,351,353 A	11/1967	Weitzner	
3,374,002 A	3/1968	Lewis	
3,476,399 A	11/1969	Finn	
3,478,447 A	11/1969	Gillead	
3,486,250 A	12/1969	Purtle	
3,665,621 A	5/1972	Massella	
3,789,523 A	2/1974	Rubin	
D231,999 S	7/1974	Engman	
D233,619 S	11/1974	Kelling	
3,876,217 A	4/1975	Copier	
3,884,485 A	5/1975	Walle	
3,934,359 A	1/1976	Fletcher	
3,963,251 A	6/1976	Miano	
3,979,842 A	9/1976	Texidor	
3,983,643 A	10/1976	Schreyer et al.	
3,997,179 A	12/1976	de Blois	
4,034,995 A	7/1977	Forward et al.	
4,076,263 A	2/1978	Rand	
4,088,334 A	5/1978	Johnson	
4,095,817 A	6/1978	Cohen	
D250,492 S	12/1978	Kish	
4,133,548 A	1/1979	Smith	
4,138,127 A	2/1979	Kimmell et al.	
4,149,735 A	4/1979	Blackburn et al.	
4,150,497 A	4/1979	Weber	
4,183,547 A	1/1980	Cohen et al.	
4,214,384 A	7/1980	Gonzalez R.	
4,219,240 A	8/1980	Brandenstein et al.	
4,223,457 A	9/1980	Borgeas	
4,245,406 A	1/1981	Landay et al.	
4,262,433 A	4/1981	Hagg et al.	
D261,446 S *	10/1981	Schmohl	D2/907
4,295,655 A	10/1981	Landay et al.	
4,298,209 A	11/1981	Peters	
4,298,910 A	11/1981	Price	
4,303,253 A	12/1981	Rottenkolber	
4,316,334 A	2/1982	Hunt	
D263,643 S *	4/1982	Vermonet	D2/908
4,333,249 A	6/1982	Schaefer	
4,342,158 A	8/1982	McMahon et al.	
4,363,502 A	12/1982	Bakerman	
4,364,187 A	12/1982	Melendez	
4,412,685 A	11/1983	Szamek	
4,417,737 A	11/1983	Suroff	
4,442,614 A	4/1984	Farberov	
4,492,046 A	1/1985	Kosova	
4,496,025 A	1/1985	Gattman	
4,523,767 A	6/1985	LePage	
4,592,154 A	6/1986	Oatman	
4,638,575 A	1/1987	Illustrato	
4,648,610 A	3/1987	Hegy	
4,676,010 A	6/1987	Cheskin	
4,691,453 A	9/1987	Tifre	
4,699,390 A	10/1987	Cote	
4,709,937 A	12/1987	Lin et al.	
4,763,909 A	8/1988	Bergeron	
4,775,919 A	10/1988	Pearsall et al.	
4,783,910 A	11/1988	Boys, II et al.	
4,795,181 A	1/1989	Armstrong	
4,815,221 A	3/1989	Diaz	
4,817,974 A	4/1989	Bergeron	
4,841,648 A	6/1989	Shaffer et al.	
4,843,737 A	7/1989	Vorderer	
4,843,741 A	7/1989	Yung-Mao	

(56)

References Cited

U.S. PATENT DOCUMENTS

D302,994 S	8/1989	Hawkes et al.	5,806,959 A	9/1998	Adams et al.
D305,143 S *	12/1989	Shaw D21/764	5,810,450 A	9/1998	Tsu et al.
4,887,824 A	12/1989	Zatlin	5,823,913 A	10/1998	Aruin et al.
4,897,939 A	2/1990	Harrington	5,836,591 A	11/1998	Roderick et al.
4,928,982 A	5/1990	Logan	5,839,737 A	11/1998	Kruczek
4,947,560 A	8/1990	Fuerst et al.	5,839,814 A	11/1998	Roberts
4,977,691 A	12/1990	Orchard	D401,739 S	12/1998	James
4,988,122 A	1/1991	Saunders	D402,797 S	12/1998	Kracke
4,995,173 A	2/1991	Spier	D404,550 S	1/1999	James
5,005,300 A	4/1991	Diaz et al.	5,855,382 A	1/1999	Reilly et al.
5,046,746 A	9/1991	Gierveld	5,881,413 A	3/1999	Throneburg et al.
5,056,240 A	10/1991	Sherrill	5,882,018 A	3/1999	Petrosino
5,060,401 A	10/1991	Whatley	5,885,500 A	3/1999	Tawney et al.
5,134,791 A	8/1992	Gregory	5,887,898 A	3/1999	Petrosino
5,195,257 A	3/1993	Holcomb et al.	D408,123 S	4/1999	James
5,224,278 A	7/1993	Jeon	5,927,729 A	7/1999	Di Filippo et al.
5,232,231 A	8/1993	Carlsmith	5,927,734 A	7/1999	Horton, II et al.
5,236,224 A	8/1993	Anderson et al.	D412,778 S	8/1999	James
5,249,376 A	10/1993	Capria	D412,779 S	8/1999	James
D341,179 S	11/1993	Evans, III	D413,193 S	8/1999	James
5,282,325 A	2/1994	Beyl	5,930,918 A	8/1999	Healy et al.
5,286,043 A	2/1994	Tkaczyk	D414,021 S	9/1999	James
5,319,866 A	6/1994	Foley et al.	D414,320 S	9/1999	James
5,319,869 A	6/1994	McDonald et al.	5,947,486 A	9/1999	Zell
D352,818 S	11/1994	Bailey	5,951,049 A	9/1999	Calverley et al.
5,363,570 A	11/1994	Allen et al.	5,954,366 A	9/1999	Forman
5,372,383 A	12/1994	Kubierschky	5,957,541 A	9/1999	Seigler
5,373,649 A	12/1994	Choi	5,967,552 A	10/1999	Roderick et al.
5,381,608 A	1/1995	Claveria	5,970,631 A	10/1999	Inman
5,384,973 A	1/1995	Lyden	5,979,992 A	11/1999	Calderone et al.
5,388,350 A	2/1995	Parker, Jr.	5,988,656 A	11/1999	Krah
5,392,537 A	2/1995	Goldberg	5,997,105 A	12/1999	Wu
5,393,077 A	2/1995	Wanous	6,006,449 A	12/1999	Orlowski et al.
5,396,675 A	3/1995	Vincent et al.	6,006,450 A	12/1999	Hayes
5,398,949 A	3/1995	Tarng	6,006,451 A	12/1999	Morris et al.
5,398,970 A	3/1995	Tucky	D420,789 S	2/2000	James
5,410,821 A	5/1995	Hilgendorf	6,036,278 A	3/2000	Boyer
5,417,444 A	5/1995	Chen	6,041,525 A	3/2000	Kelley
5,419,060 A	5/1995	Choi	6,042,125 A	3/2000	Wu
5,425,186 A	6/1995	Hoyt	6,050,357 A	4/2000	Staelin et al.
5,456,478 A	10/1995	Hsu et al.	6,055,747 A	5/2000	Lombardino
5,469,642 A	11/1995	Farbman	6,061,930 A	5/2000	Zinovieff
5,475,572 A	12/1995	Tseng	D426,374 S	6/2000	Kelley
5,502,901 A	4/1996	Brown	D426,948 S	6/2000	James
5,511,824 A	4/1996	Kim	6,070,887 A	6/2000	Cornelius et al.
5,519,950 A	5/1996	Wang	6,070,997 A	6/2000	Duke et al.
5,527,049 A	6/1996	Ortiz	D428,239 S *	7/2000	Plamondon D2/903
5,527,050 A	6/1996	Szendel	6,086,072 A	7/2000	Prus
5,544,431 A	8/1996	Dixon	6,092,305 A	7/2000	Troy et al.
D373,674 S	9/1996	Dolinsky	6,115,943 A	9/2000	Gyr
5,552,972 A	9/1996	Rezvani	6,115,946 A	9/2000	Morris et al.
5,560,126 A	10/1996	Meschan et al.	6,116,763 A	9/2000	King
5,566,958 A	10/1996	Sinelnikov et al.	6,120,039 A	9/2000	Clementi
5,572,804 A	11/1996	Skaja et al.	6,132,006 A	10/2000	Post
5,580,093 A	12/1996	Conway	D433,214 S	11/2000	McDowell
5,586,777 A	12/1996	Wolf	6,151,806 A	11/2000	Morris et al.
5,595,004 A	1/1997	Lyden et al.	6,158,150 A	12/2000	Morris et al.
5,632,104 A	5/1997	Zohar	6,170,837 B1	1/2001	Ross
5,638,614 A	6/1997	Hardy	6,195,918 B1	3/2001	Kelley et al.
5,649,374 A	7/1997	Chou	6,195,920 B1	3/2001	Morris et al.
5,649,716 A	7/1997	Zhang	D440,386 S	4/2001	James
5,655,316 A	8/1997	Huang	6,213,480 B1	4/2001	Rodriguez
5,682,685 A	11/1997	Terlizzi	6,226,900 B1	5/2001	Mazars
5,692,322 A	12/1997	Lombardino	6,233,846 B1	5/2001	Sordi
5,697,643 A	12/1997	Marasco et al.	6,243,972 B1	6/2001	De France
5,716,074 A	2/1998	Theodorou	6,247,251 B1	6/2001	James
5,716,723 A	2/1998	Van Cleef et al.	6,247,708 B1	6/2001	Hsu
5,718,499 A	2/1998	De Caro	6,250,656 B1	6/2001	Ibarra
5,730,467 A	3/1998	Huang	6,308,964 B1	10/2001	Chang
5,743,028 A	4/1998	Lombardino	6,336,644 B1	1/2002	Chu
5,769,432 A	6/1998	Tybinkowski et al.	6,343,800 B2	2/2002	Clementi
D395,943 S *	7/1998	Hewett D2/969	6,354,609 B1	3/2002	Chen et al.
5,785,327 A	7/1998	Gallant	6,357,145 B1	3/2002	James
5,787,609 A	8/1998	Wu	6,386,555 B1	5/2002	Kao
5,797,609 A	8/1998	Fichepain	6,394,468 B1 *	5/2002	Chiang A63C 17/008 280/11.223
			6,398,395 B1	6/2002	Hyun
			6,406,037 B2	6/2002	Chang
			6,406,038 B2	6/2002	Adams

(56)

References Cited

U.S. PATENT DOCUMENTS

6,406,039 B1	6/2002	Chen		8,091,900 B2 *	1/2012	Moon	A43B 5/1633	
6,412,791 B1	7/2002	Chu						280/11.19	
6,450,509 B2	9/2002	Adams		8,505,930 B2 *	8/2013	Niewohner	A43B 5/1633	
6,454,279 B1 *	9/2002	Yang					280/11.223	
			A43B 5/1633	8,668,039 B2 *	3/2014	Tuli	A43B 3/0005	
			280/11.223					180/180	
6,464,236 B2	10/2002	Chang		8,936,251 B1 *	1/2015	Pereira	A63C 17/0066	
6,467,198 B1	10/2002	James						280/11.25	
6,474,661 B1	11/2002	Chang		8,998,217 B1 *	4/2015	Spano	A63C 17/20	
6,488,289 B2	12/2002	Hsiao et al.						280/11.221	
6,523,836 B1	2/2003	Chang et al.		9,242,169 B2 *	1/2016	Adams	A43B 5/1633	
6,536,785 B2	3/2003	Lee		2001/0022433 A1 *	9/2001	Chang	A43B 5/1633	
6,565,242 B2	5/2003	Dai						280/11.19	
6,572,120 B2	6/2003	Chang		2001/0050467 A1	12/2001	Clementi			
6,581,943 B2	6/2003	Wegener		2002/0060435 A1	5/2002	Kim			
6,619,823 B2	9/2003	Dai		2002/0070511 A1	6/2002	Adams			
6,621,419 B2	9/2003	Chiu		2002/0105154 A1	8/2002	Henselder			
6,629,698 B2	10/2003	Chu		2002/0109312 A1	8/2002	Zheng			
6,688,613 B1	2/2004	Malloy		2002/0121749 A1	9/2002	Lee			
6,698,769 B2	3/2004	Adams et al.		2002/0121750 A1	9/2002	Chu			
6,719,304 B2	4/2004	Miller et al.		2002/0130475 A1	9/2002	Adams			
6,739,602 B2	5/2004	Adams		2002/0145263 A1	10/2002	Yang			
6,746,026 B2	6/2004	Adams		2003/0038432 A1	2/2003	Chang			
6,751,891 B2	6/2004	Lombardino		2003/0047363 A1	3/2003	Makuta et al.			
6,764,082 B2	7/2004	Roderick		2003/0062697 A1	4/2003	Chu			
6,786,493 B2	9/2004	Hong		2003/0141680 A1	7/2003	Clark			
6,786,552 B2	9/2004	Thiel		2003/0155725 A1 *	8/2003	Roderick	A43B 5/005	
6,805,363 B2	10/2004	Hernandez						280/11.223	
6,848,201 B2	2/2005	Staffaroni et al.		2003/0178799 A1	9/2003	Chen			
6,851,817 B2	2/2005	Wong		2004/0007835 A1	1/2004	Yang			
6,874,795 B2	4/2005	Sung		2004/0041359 A1	3/2004	Im			
6,905,127 B2	6/2005	Lester		2004/0046340 A1	3/2004	Chen			
6,913,270 B2	7/2005	Wang		2004/0066011 A1	4/2004	Chu			
6,926,289 B2	8/2005	Wang		2004/0212160 A1	10/2004	Roderick			
6,959,933 B1	11/2005	Roth		2004/0222601 A1	11/2004	Adams			
6,979,003 B2	12/2005	Adams		2004/0239056 A1	12/2004	Cho et al.			
7,032,330 B2	4/2006	Adams et al.		2005/0029756 A1	2/2005	Lin et al.			
7,063,336 B2	6/2006	Adams		2005/0082774 A1	4/2005	Chiu			
7,121,561 B2	10/2006	Green et al.		2006/0022417 A1	2/2006	Roderick			
7,165,773 B2	1/2007	Adams		2006/0027409 A1	2/2006	Adams			
7,165,774 B2	1/2007	Adams		2006/0038362 A1	2/2006	Svensson et al.			
7,195,251 B2	3/2007	Walker		2007/0002575 A1	1/2007	Chiang			
7,311,164 B1	12/2007	Kertes		2007/0090613 A1	4/2007	Lyden			
7,341,261 B2	3/2008	Shing		2007/0164519 A1	7/2007	Adams			
D579,638 S *	11/2008	Lin	2007/0252351 A1	11/2007	McNamara			
D580,132 S *	11/2008	Lin	2007/0296164 A1	12/2007	Roderick			
7,497,446 B2 *	3/2009	Yang	2008/0093955 A1	4/2008	Lunde			
			A63C 17/008	2008/0313928 A1	12/2008	Adams			
			280/11.204	2009/0033046 A1 *	2/2009	Wilborn	A63C 17/20	
D595,941 S	7/2009	Byrne						280/11.19	
7,610,972 B2	11/2009	Adams et al.		2009/0077833 A1	3/2009	Kokavec			
D608,991 S	2/2010	Lamont		2009/0107008 A1 *	4/2009	Chou	A43B 5/1633	
D609,440 S	2/2010	Morris						36/103	
7,712,749 B2 *	5/2010	Moon	2009/0200763 A1	8/2009	Adams et al.			
			A43B 1/0054	2009/0284001 A1 *	11/2009	Lee	A43B 5/1633	
			280/11.19					280/841	
7,735,840 B2 *	6/2010	Wilborn	2009/0293313 A1	12/2009	Bruce et al.			
			A63C 17/20	2011/0289799 A1 *	12/2011	Keating	A43B 7/144	
			280/11.27					36/103	
7,900,731 B2 *	3/2011	McKinzie	2014/0033573 A1 *	2/2014	Wills	A43B 3/246	
			A63C 17/008					36/103	
			180/181						
8,006,795 B2 *	8/2011	Manor						
			A63C 17/08						
			180/181						

* cited by examiner

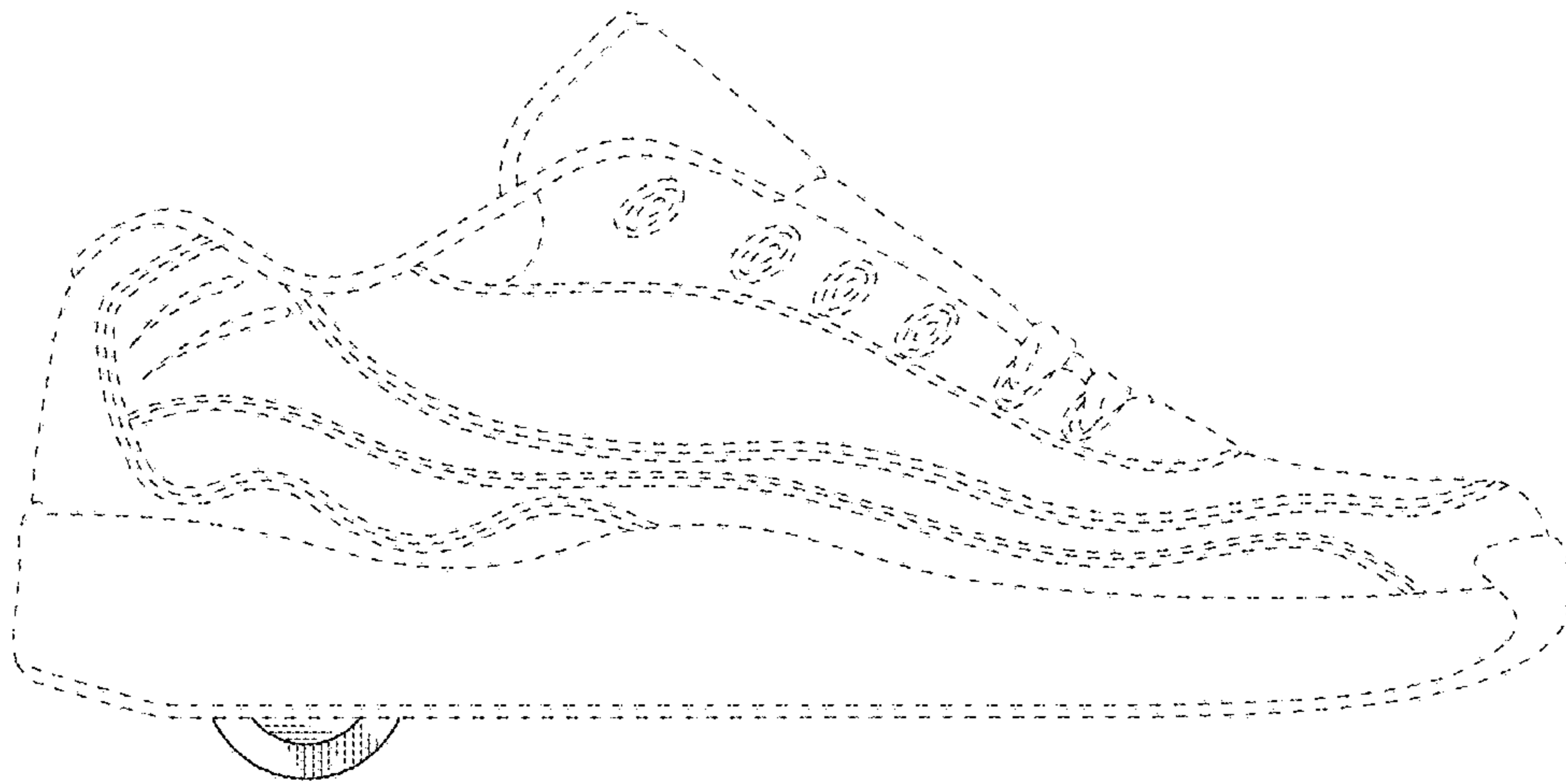


FIG. 1

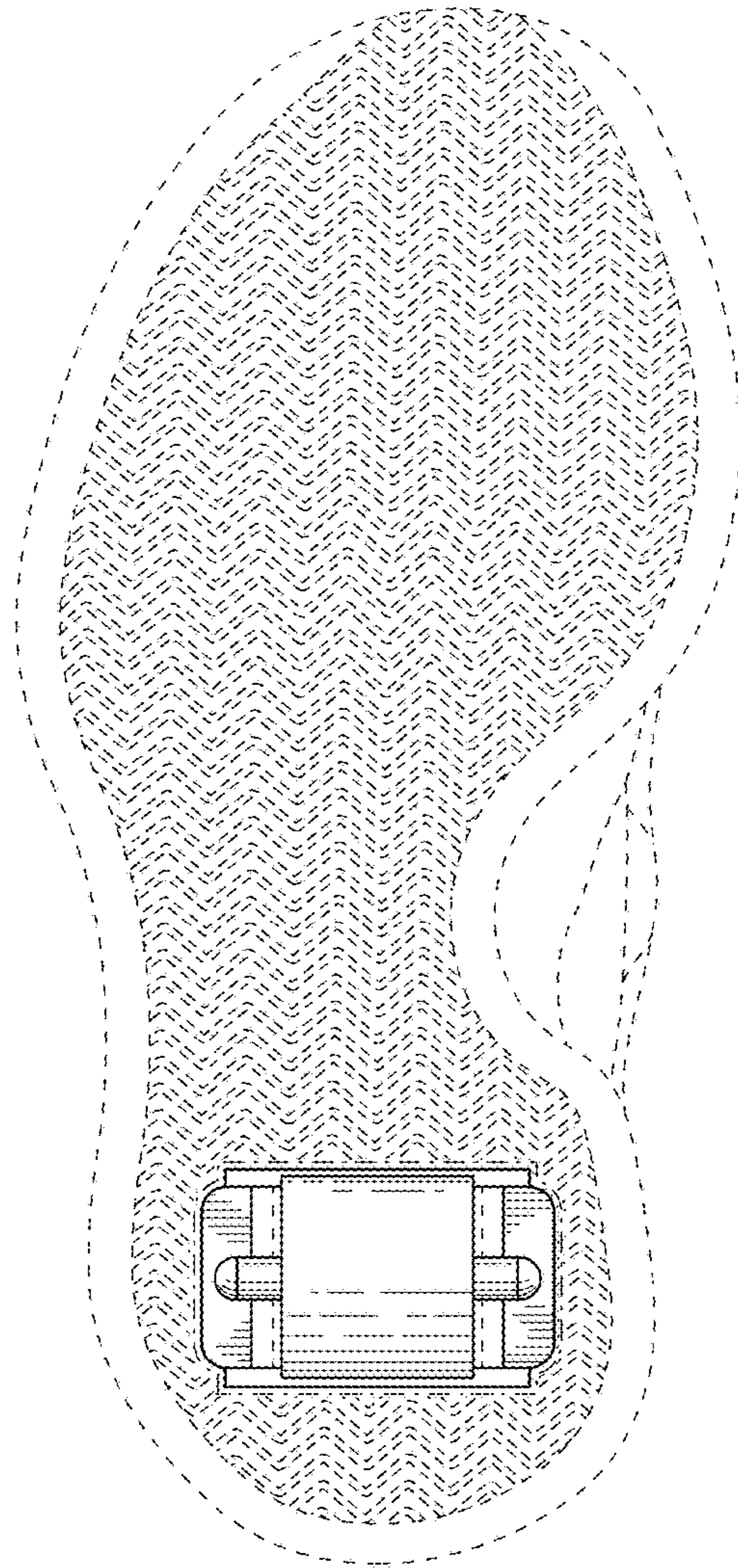


FIG. 2

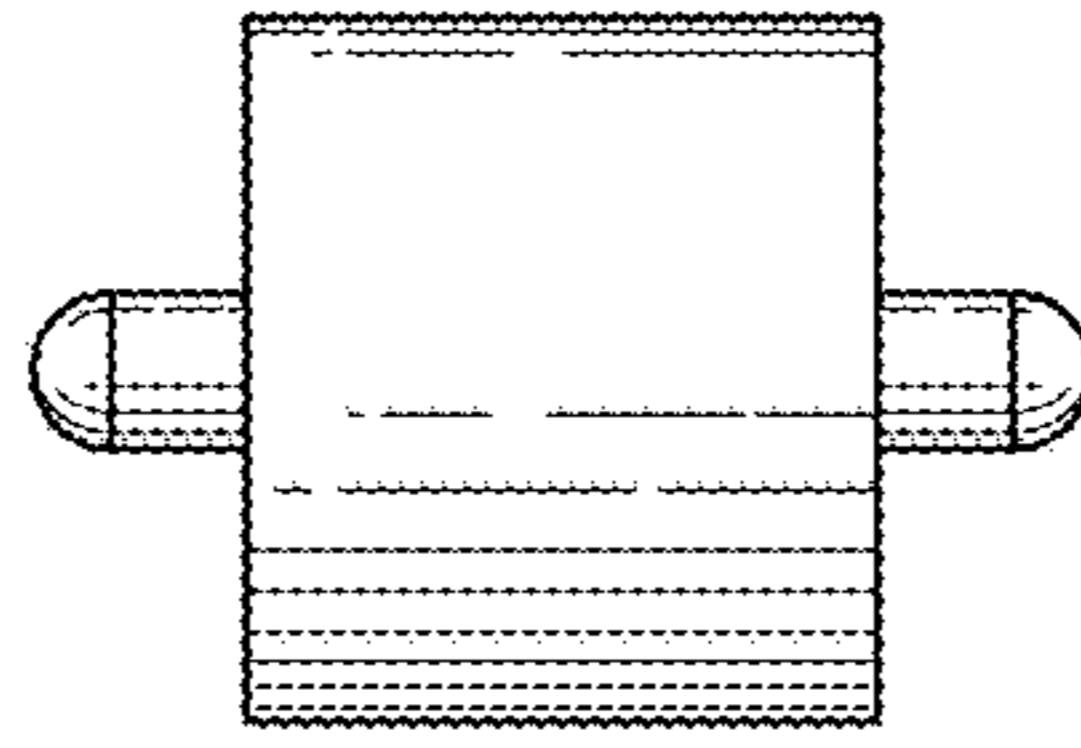


FIG. 3

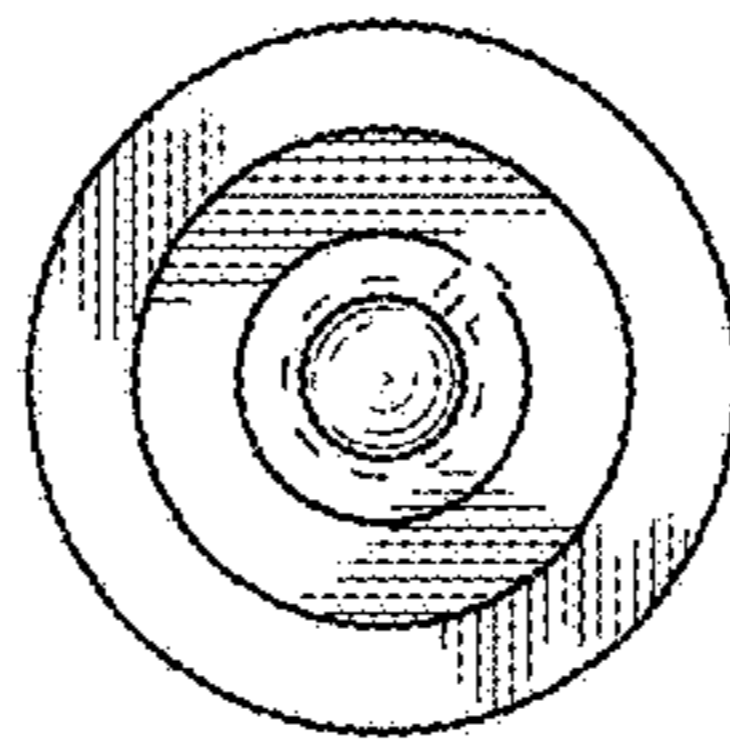


FIG. 4

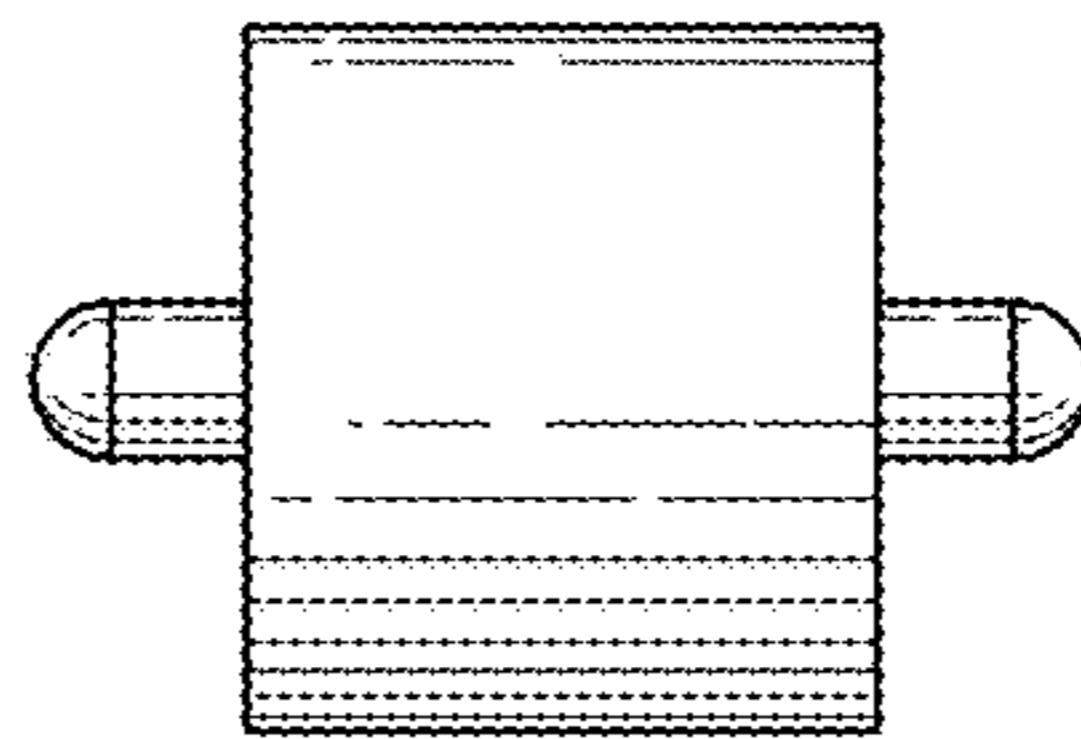


FIG. 5

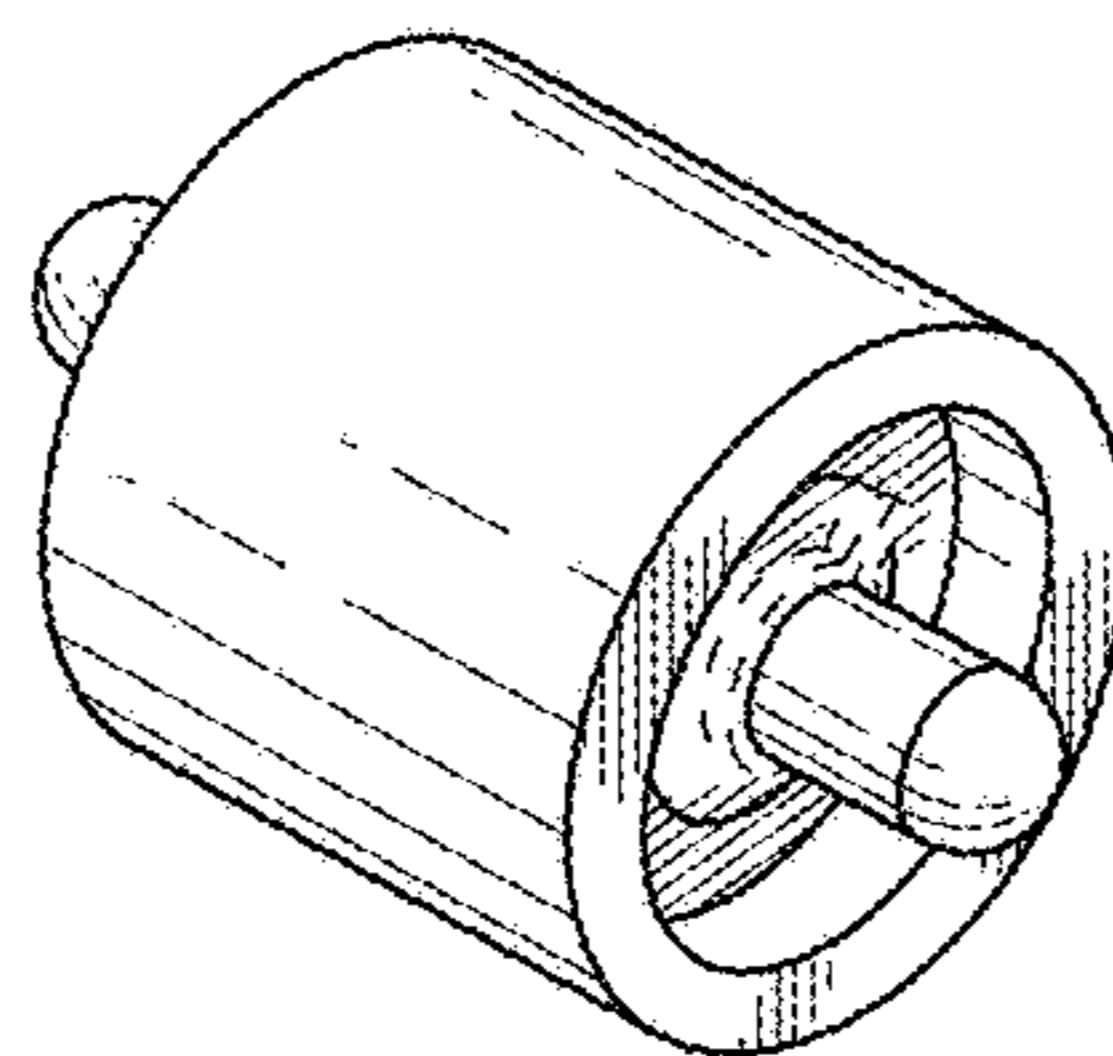
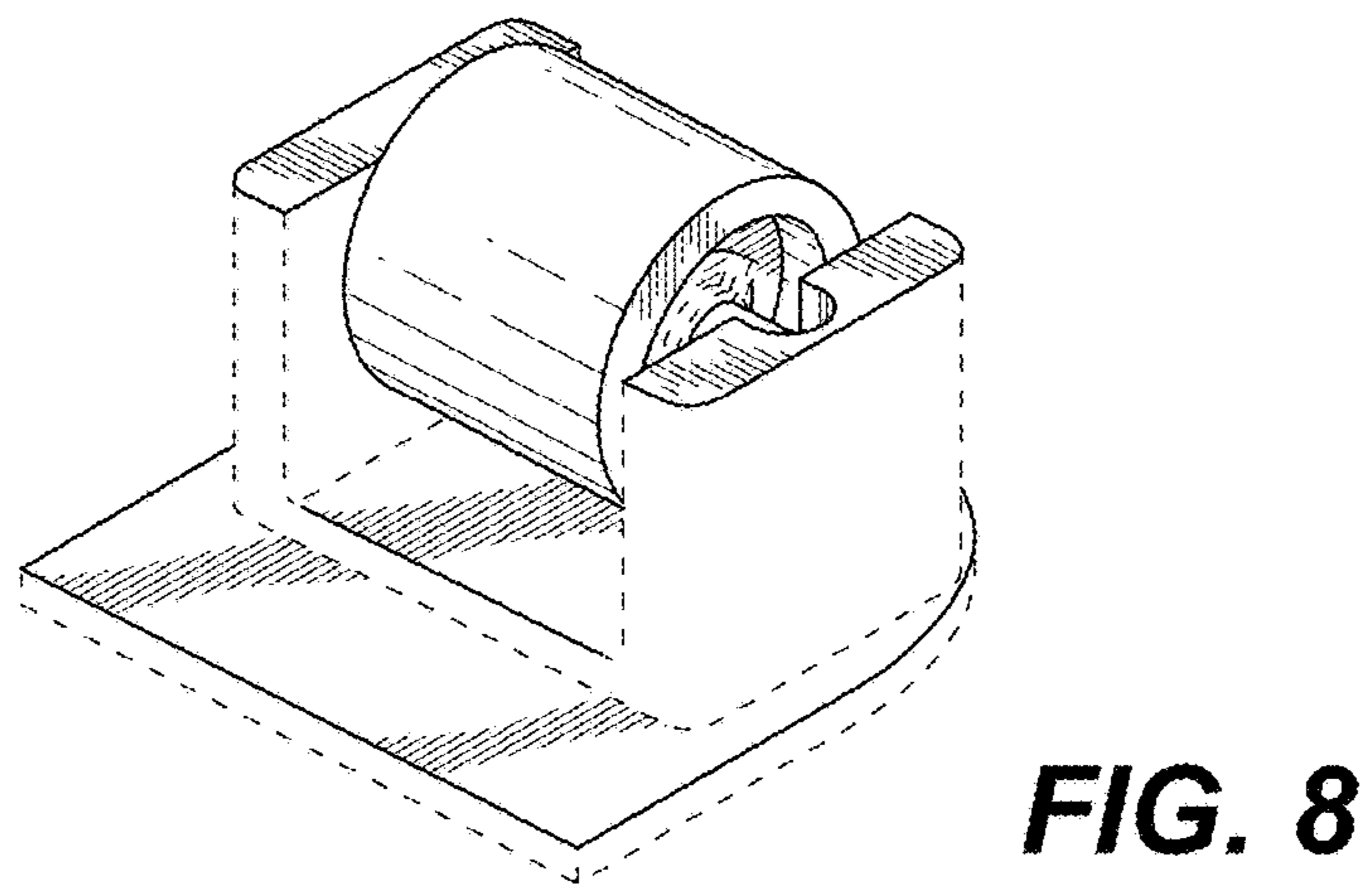
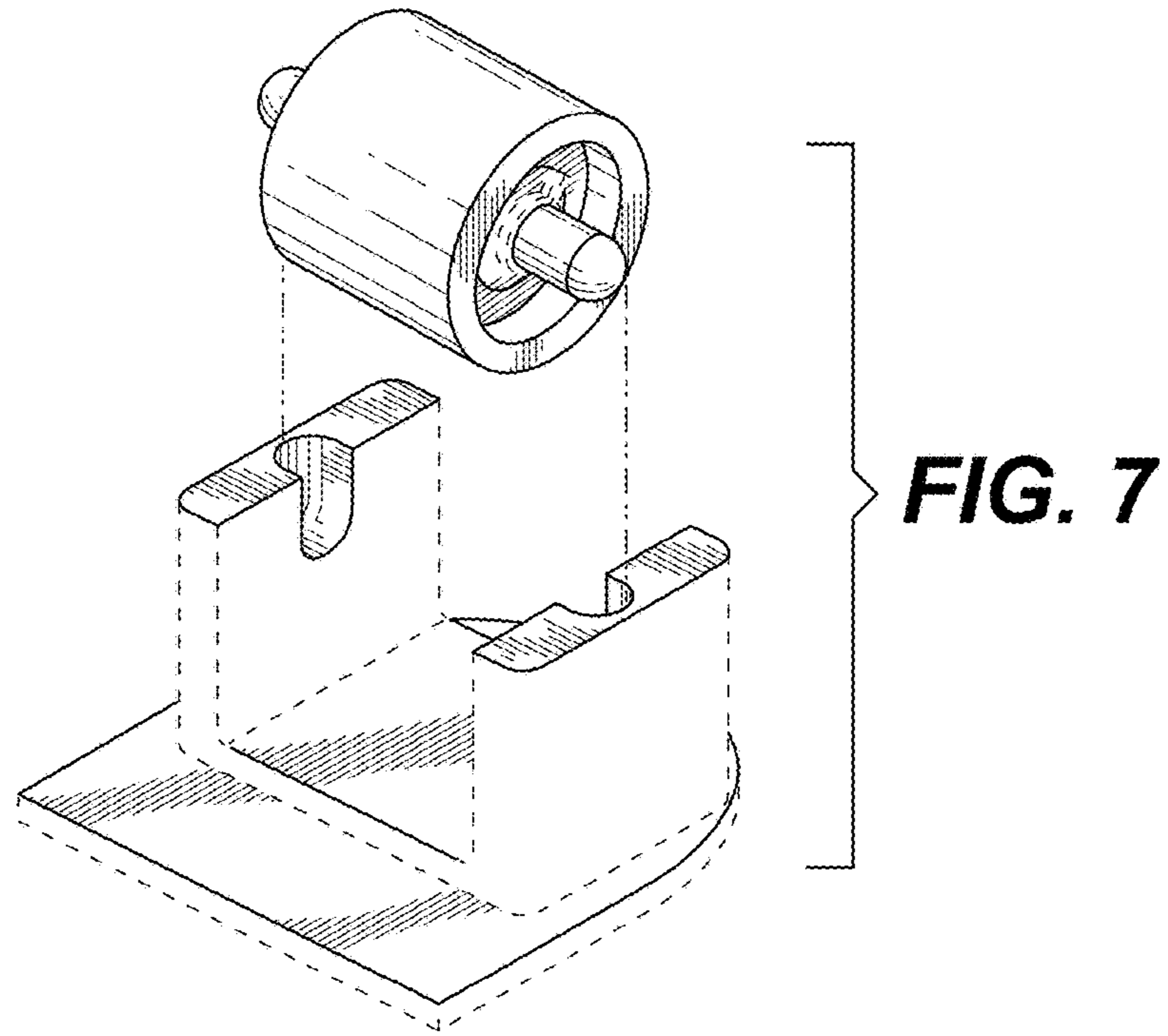


FIG. 6



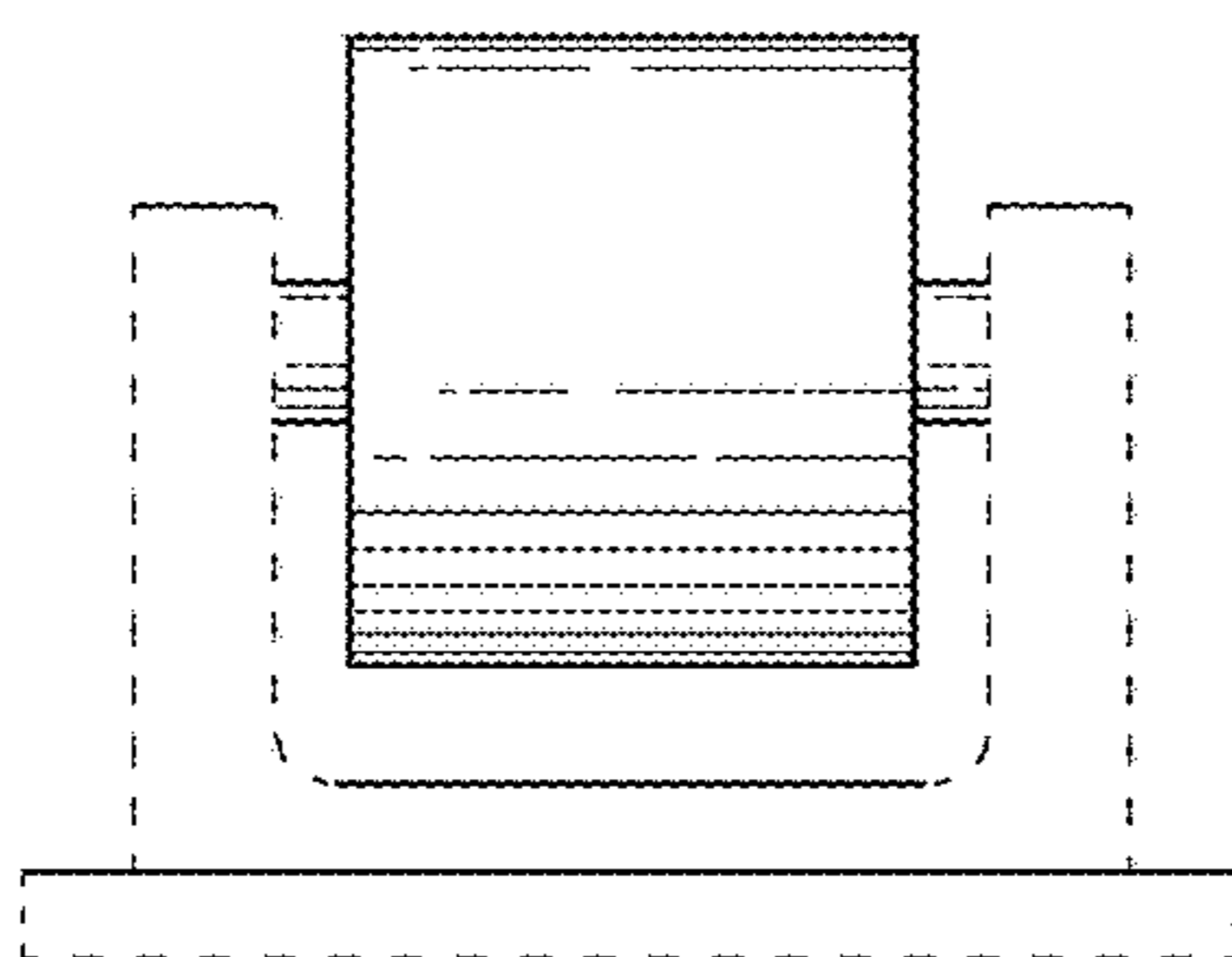


FIG. 9

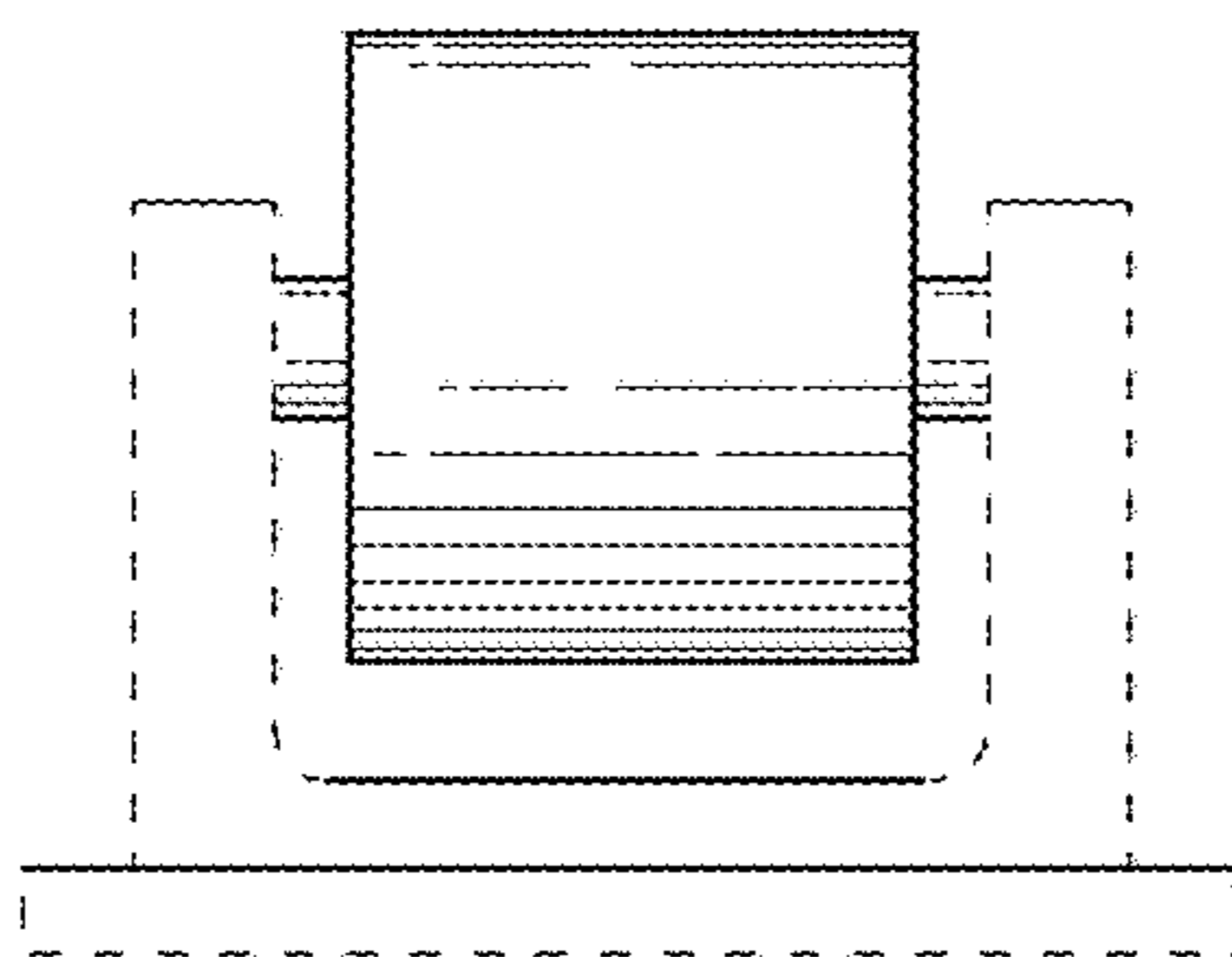


FIG. 10

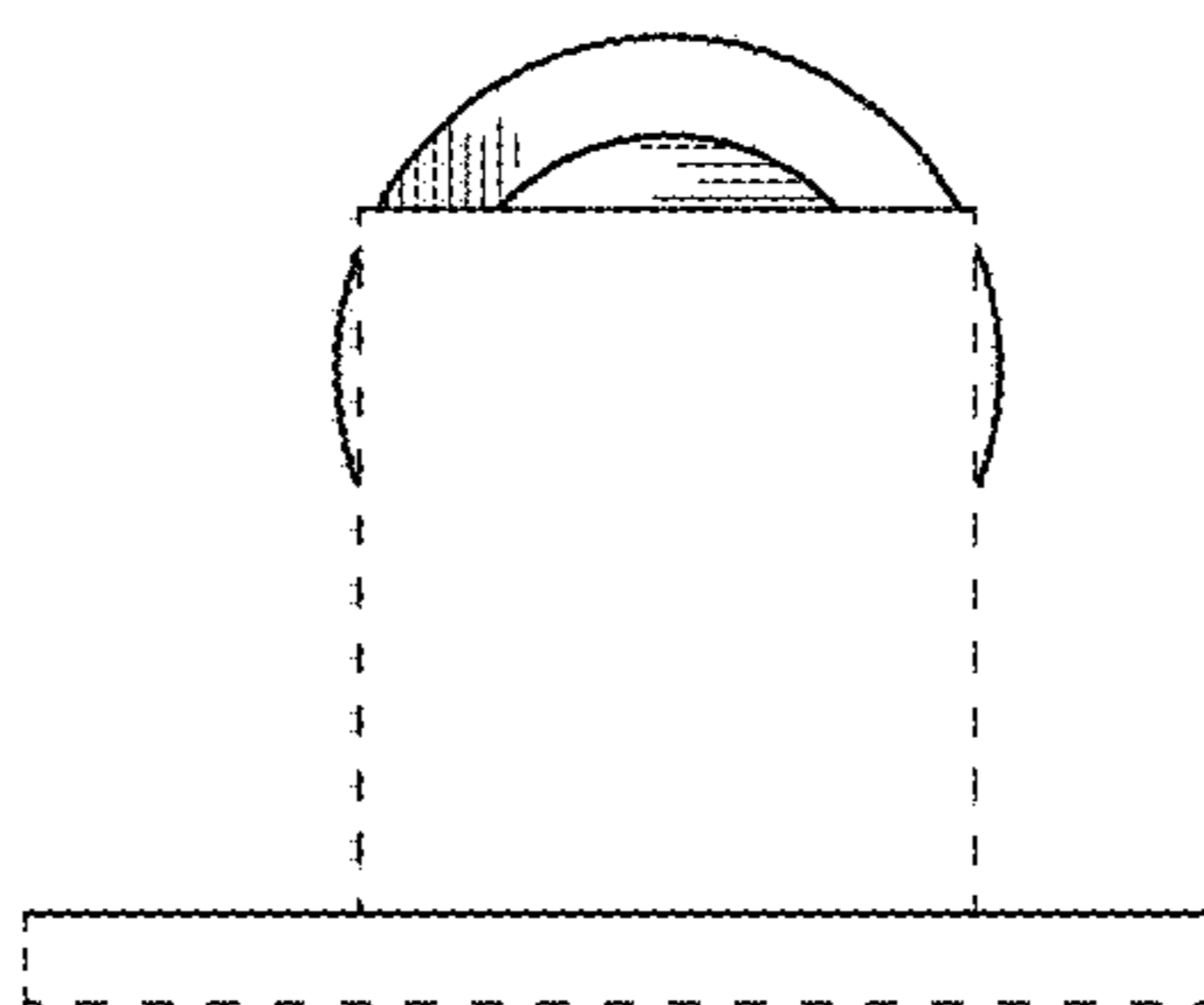


FIG. 11

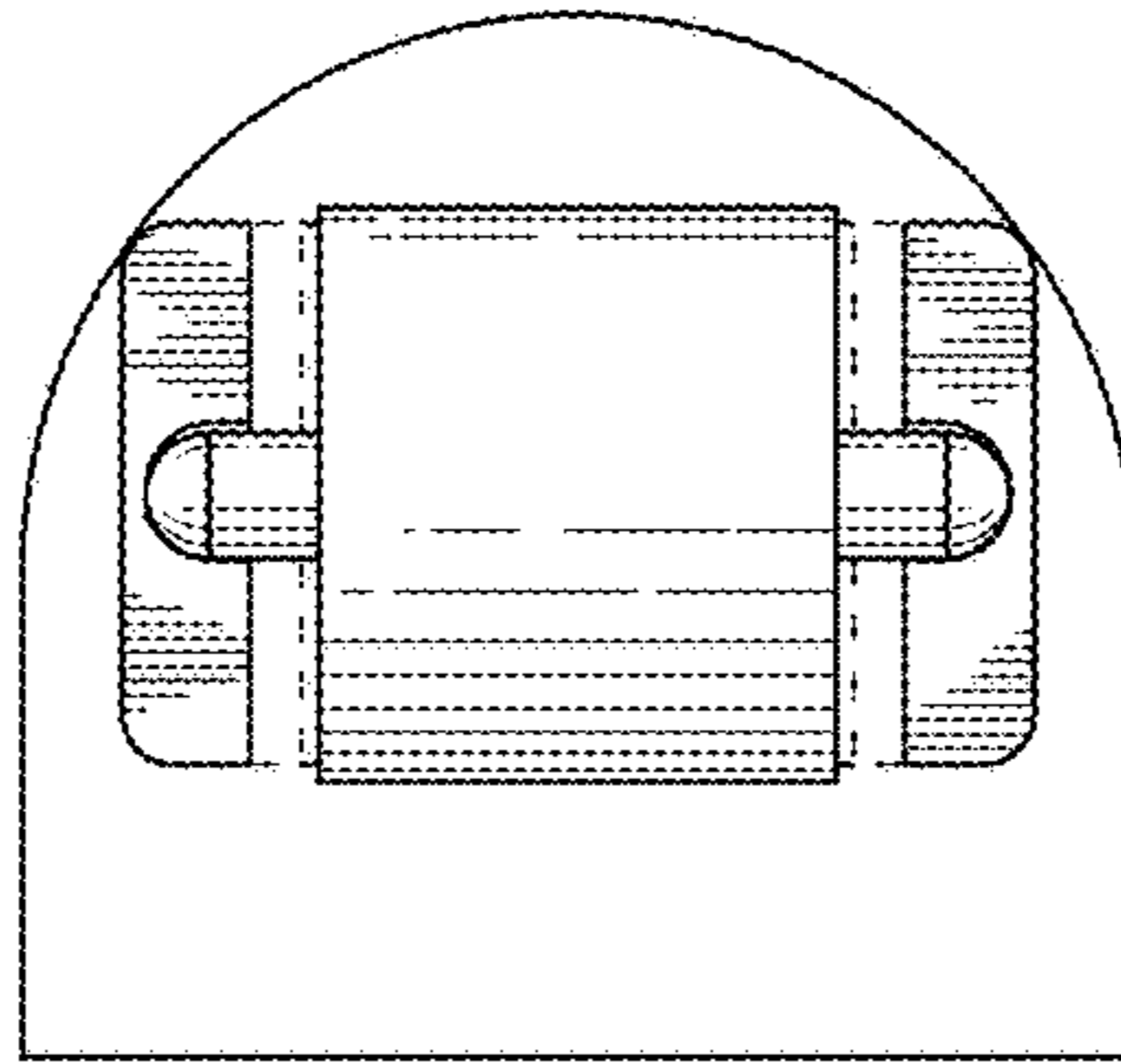


FIG. 12

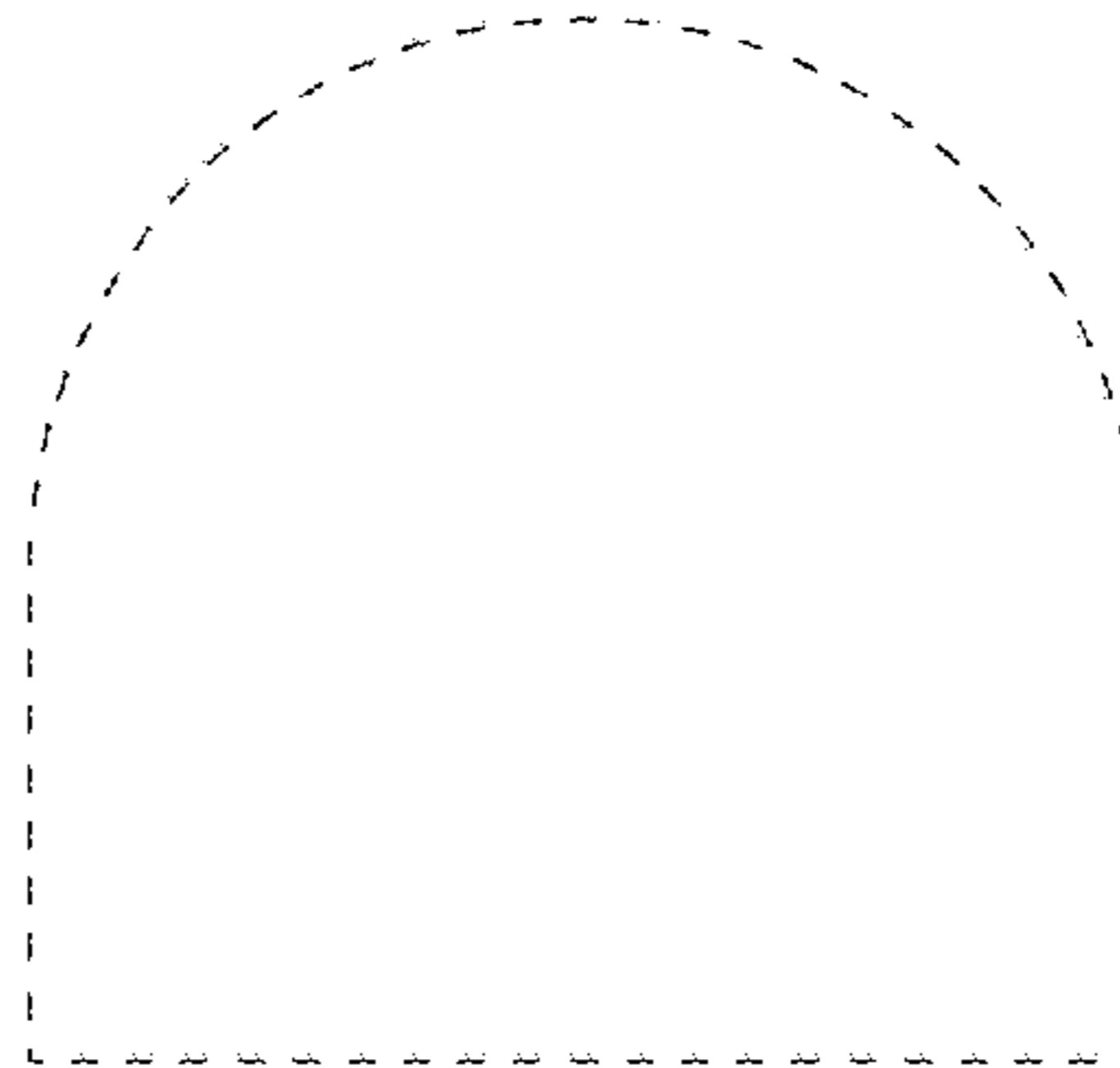


FIG. 13