



US00D866128S

(12) **United States Design Patent** (10) **Patent No.:** **US D866,128 S**  
**McCann** (45) **Date of Patent:** **\*\* Nov. 12, 2019**

- (54) **SHADE FOR A HEADLAMP**
- (71) Applicant: **Jonathan McCann**, Victor, NY (US)
- (72) Inventor: **Jonathan McCann**, Victor, NY (US)
- (\*\*) Term: **15 Years**
- (21) Appl. No.: **29/626,956**
- (22) Filed: **Nov. 21, 2017**

- 4,047,249 A \* 9/1977 Booth ..... A42B 3/226  
2/10
  - D263,432 S \* 3/1982 Amirault ..... D19/59
  - D268,593 S \* 4/1983 Harper ..... D16/340
  - 4,843,643 A \* 7/1989 Parissenti ..... A41D 13/11  
2/13
  - D318,147 S \* 7/1991 Russell ..... D29/110
  - 5,206,956 A \* 5/1993 Olson ..... A61F 9/02  
128/857
  - 5,311,409 A 5/1994 King
  - D354,160 S \* 1/1995 Shaffer ..... D2/894
- (Continued)

**Related U.S. Application Data**

- (63) Continuation-in-part of application No. 29/618,853, filed on Sep. 25, 2017.
- (51) **LOC (12) Cl.** ..... **02-03**
- (52) **U.S. Cl.**  
USPC ..... **D2/891**
- (58) **Field of Classification Search**  
USPC ..... D2/826, 865, 866, 869, 870, 872, 873, D2/876, 878, 879, 880, 881, 882, 883, D2/884, 886, 891, 893, 895; D3/318; D6/300; D7/396.1, 698; D8/350, 353; D9/415, 434, 457; D12/191; D14/372; D16/310, 330, 340; D19/1, 9, 10, 11, 12, D19/34, 103; D21/683; D24/189, 190, D24/191, 192, 206; D26/120, 139; D29/109, 110, 122  
CPC ..... A42B 1/00; A42B 1/004; A42B 1/006; A42B 1/02; A42B 1/06; A42B 1/061; A42B 1/062; A42B 1/063; A42B 1/24; A42B 1/241; A61F 9/02; A61F 9/045; F21V 21/084; F21V 21/00; F21V 21/18; F21B 21/22  
See application file for complete search history.

**FOREIGN PATENT DOCUMENTS**

- DE 202004016592 3/2005
- WO 02088596 11/2002

**OTHER PUBLICATIONS**

Ehobby Asia, Surefire Minimus TM Variable-Output-LED Headlamp, <http://shop.ehobbyasia.com/surefire-minimustm-variable-output-led-headlamp.html#.Wbk2v9GQzmE>.  
(Continued)

*Primary Examiner* — Karen S Acker  
*Assistant Examiner* — Jasmine Mlinarcik  
(74) *Attorney, Agent, or Firm* — Woods Oviatt Gilman LLP; Katherine H. McGuire, Esq.

(57) **CLAIM**

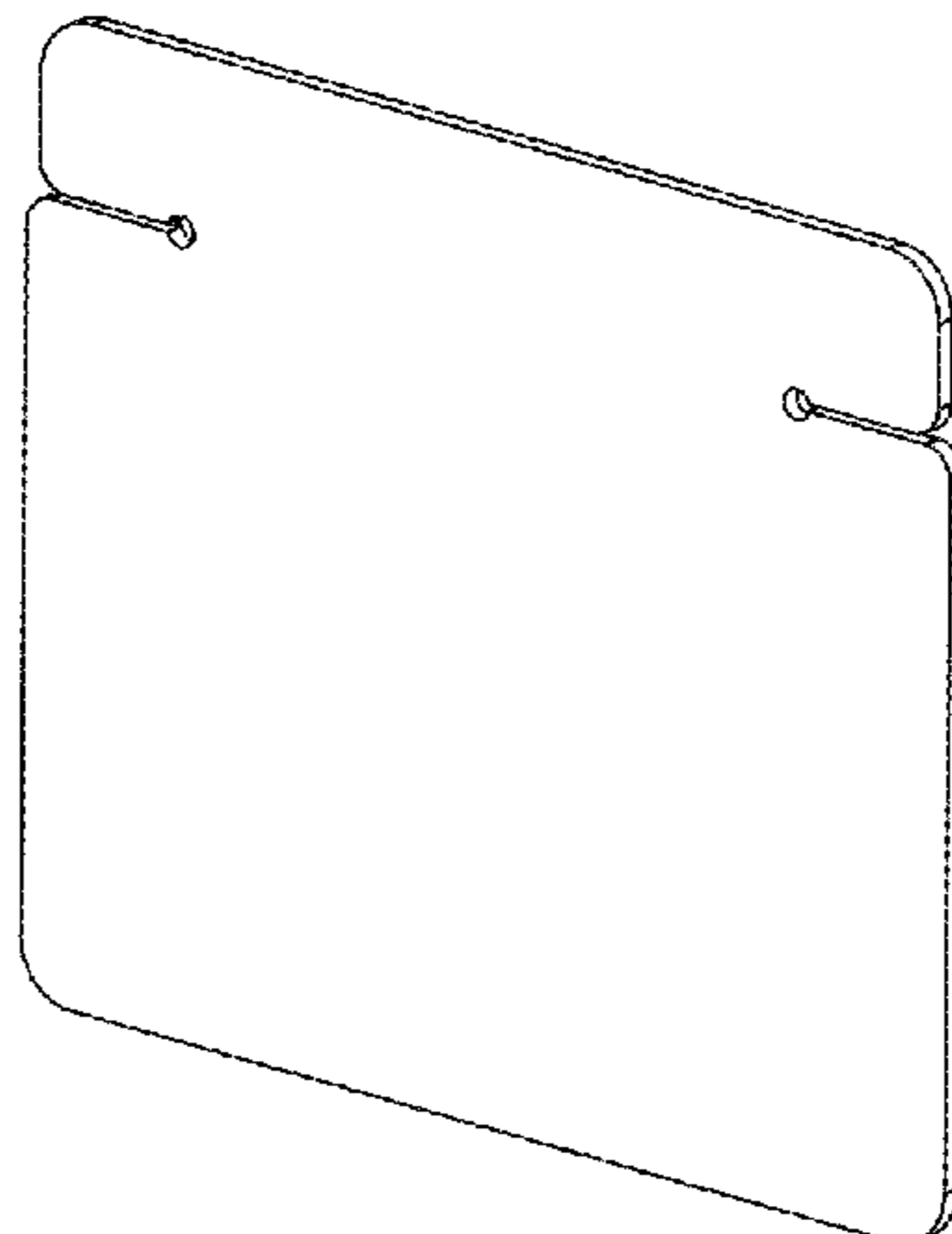
The ornamental design for a shade for a headlamp, as shown and described.

**DESCRIPTION**

FIG. 1 is a front perspective view of a shade for a headlamp; FIG. 2 is a top view thereof; FIG. 3 is a front elevation view thereof, the opposite back elevation view being a mirror image thereof; FIG. 4 is a left side elevation view thereof, the right side being a mirror image thereof; and, FIG. 5 is a bottom view thereof.

**1 Claim, 1 Drawing Sheet**

- (56) **References Cited**  
U.S. PATENT DOCUMENTS  
2,326,004 A 8/1943 Barrett  
3,418,651 A 12/1968 Jacobson



(56)

References Cited

U.S. PATENT DOCUMENTS

5,715,030 A \* 2/1998 Quaresima ..... A61F 9/02  
2/12  
5,943,703 A \* 8/1999 Avila, Jr. .... A61F 9/029  
2/13  
5,970,514 A \* 10/1999 Wang-Lee ..... A61F 9/045  
2/10  
D490,969 S \* 6/2004 Kobayashi ..... D2/891  
D512,797 S \* 12/2005 Canavan ..... D29/110  
D622,482 S \* 8/2010 Stein ..... D2/826  
8,215,803 B2 7/2012 Singer  
D677,435 S \* 3/2013 Klotz ..... D29/110  
8,678,601 B2 3/2014 Morris et al.  
D781,507 S \* 3/2017 Huh ..... D29/122  
9,709,239 B2 7/2017 Weekamp et al.  
D833,121 S \* 11/2018 Darby ..... D2/891  
D835,890 S \* 12/2018 Swank ..... D2/891  
D839,546 S \* 2/2019 Noiberg ..... D2/826  
10,203,099 B1 \* 2/2019 McCann ..... F21V 1/18

2006/0049733 A1 3/2006 Brock  
2006/0146513 A1 7/2006 Liu  
2008/0030138 A1 2/2008 Turner  
2010/0315821 A1 12/2010 Weber et al.  
2012/0320606 A1 12/2012 Vossoughi  
2014/0053307 A1\* 2/2014 Cheng ..... A61F 9/06  
2/8.2

OTHER PUBLICATIONS

EPAK Electronics Ltd., UV226 PL Lamp UV Filter Sleeves, [http://www.epakelectronics.com/uv\\_filter\\_materials\\_sleeves.htm](http://www.epakelectronics.com/uv_filter_materials_sleeves.htm).  
ipmagazin.bg, BL-6855—Cree Q3 LED rechargeable headlamp setting focus with 3 filter, <http://ipmagazin.bg/en/p/2966/bl-6855--cree-q3-led-rechargeable-headlamp-setting-focus-with-3-filter->.  
REI CO-OP—Mammut TR1 2-in-1 Headlamp/Lantern Combo, <https://www.rei.com/product/799383/mammut-tr1-2-in-1-headlamplantern-combo>.

\* cited by examiner

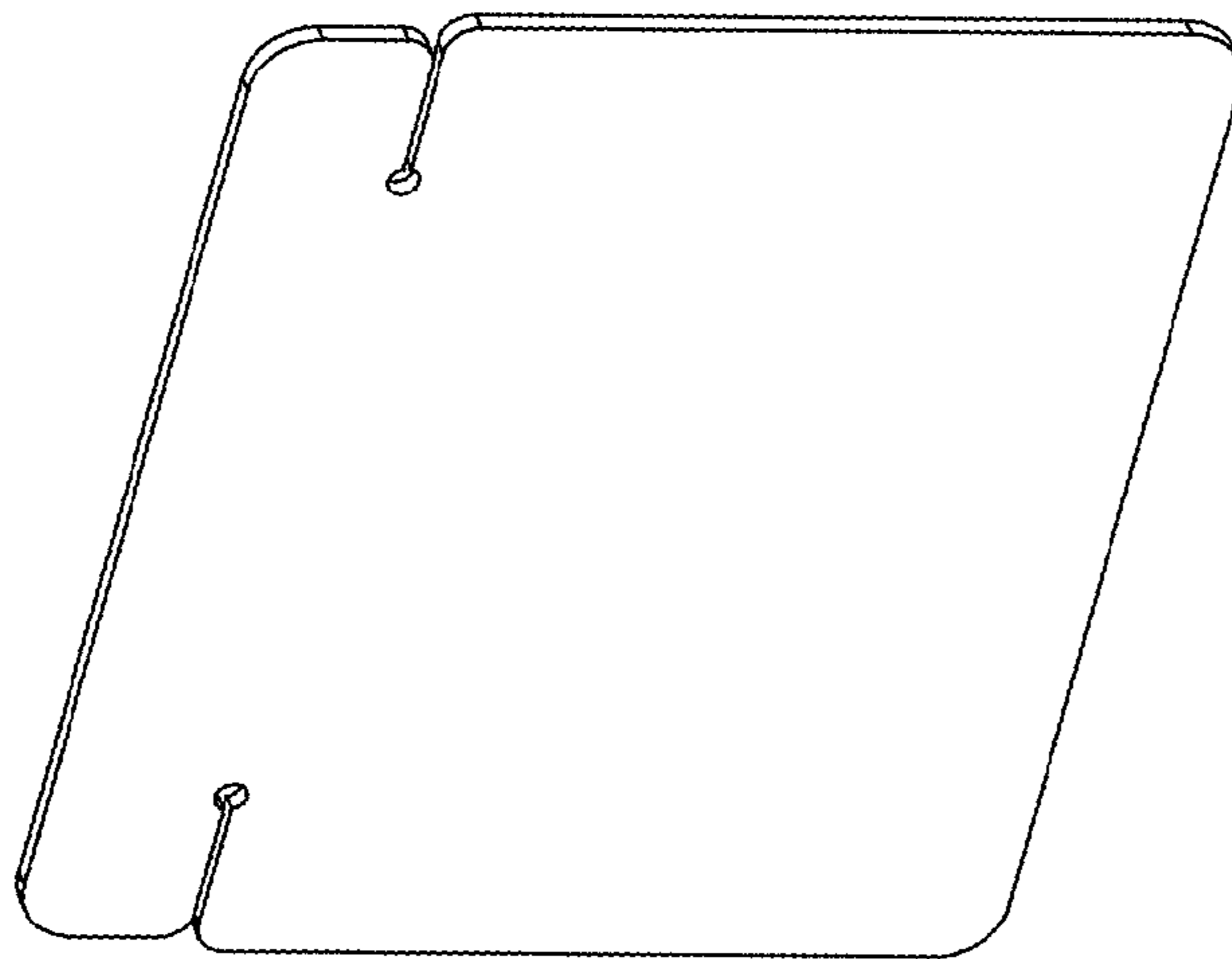


FIG. 1



FIG. 2

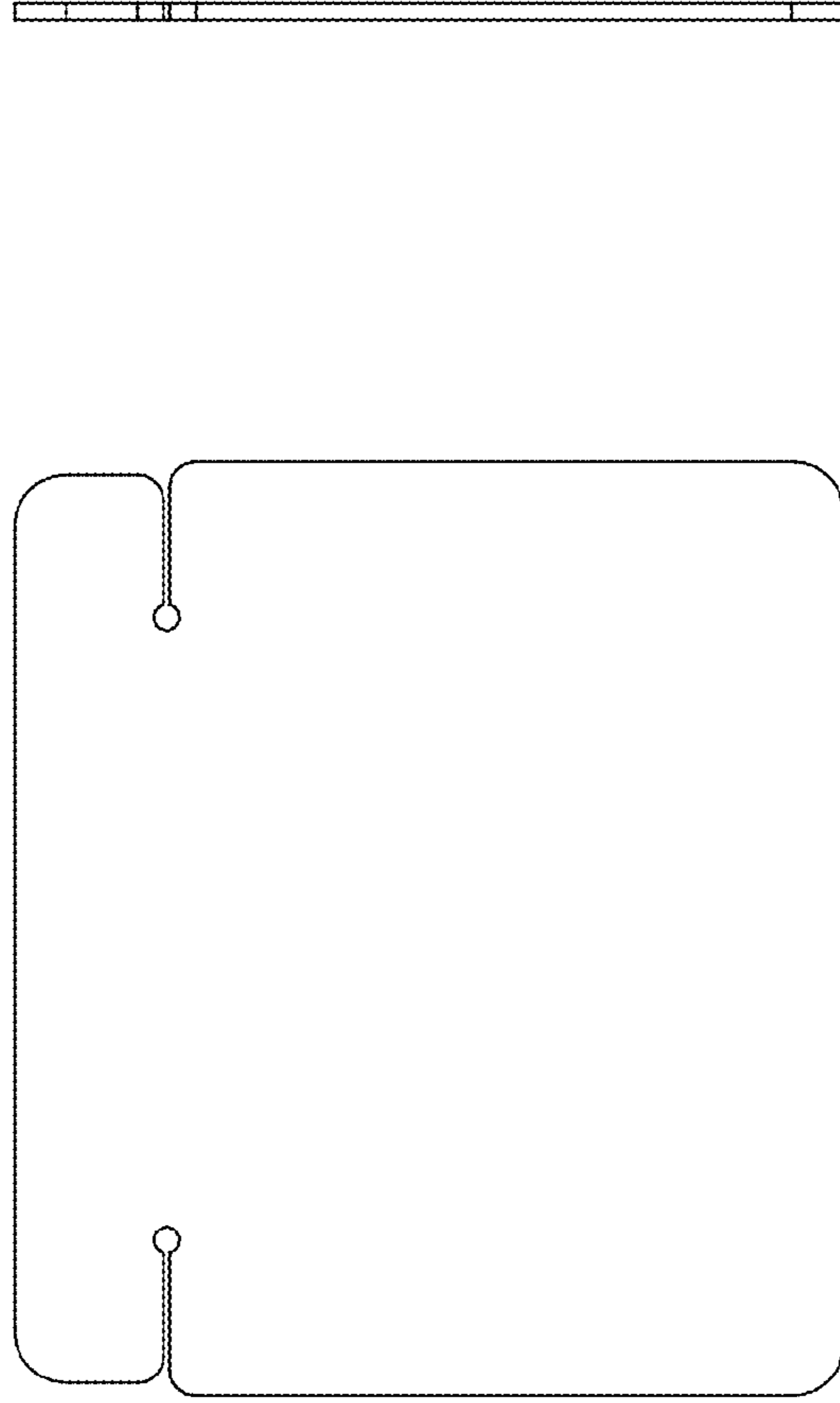


FIG. 3

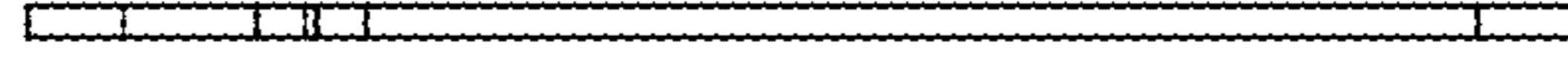


FIG. 4



FIG. 5