



US00D866120S

(12) **United States Design Patent** (10) **Patent No.:** **US D866,120 S**
Rendone (45) **Date of Patent:** **** Nov. 12, 2019**

- (54) **BRA**
- (71) Applicant: **NIKE, Inc.**, Beaverton, OR (US)
- (72) Inventor: **Nicole Rendone**, Portland, OR (US)
- (73) Assignee: **NIKE, Inc.**, Beaverton, OR (US)
- (**) Term: **15 Years**
- (21) Appl. No.: **29/658,703**
- (22) Filed: **Aug. 2, 2018**
- (51) **LOC (12) Cl.** **02-01**
- (52) **U.S. Cl.**
USPC **D2/706**
- (58) **Field of Classification Search**
USPC D2/706-709, 731
CPC A41C 3/00; A41C 3/0085
See application file for complete search history.
- (56) **References Cited**

U.S. PATENT DOCUMENTS

D256,288 S *	8/1980	Stern	D2/708
D279,726 S *	7/1985	Nienstedt	D2/708
D286,945 S *	12/1986	Shonk	D2/710
D594,631 S	6/2009	Reinisch		
D765,948 S *	9/2016	McManus	D2/708
D775,781 S	1/2017	Lee et al.		
D786,530 S	5/2017	Lee et al.		
D791,432 S	7/2017	Lee		
D793,028 S	8/2017	Terrell		
D798,534 S *	10/2017	Staub	D2/706
D801,627 S	11/2017	Staub		
D801,628 S *	11/2017	Staub	D2/706
D812,853 S	3/2018	Harris		
D818,241 S *	5/2018	Hanazawa	D2/706
D830,037 S *	10/2018	Staub	D2/706
D836,292 S *	12/2018	Flower	D2/708
10,145,042 B2 *	12/2018	Diaz	A41C 3/0057
D839,558 S *	2/2019	Lomax	D2/840

OTHER PUBLICATIONS

2016 Specialty Camo Women Semaless Summer Sports Bra [online], [retrieved Aug. 2, 2018] retrieved from Internet <URL: https://www.

aliexpress.com/item/2016-Specialty-Camo-Women-Seamless-Bra-Summer-Sports-Bra-Underwear-Fitness-Padded-Running-Bra-Thin-Tank/32640675381.html/> 1 color sheet. Publication date unknown, but prior to filing of present application.
First Look: Nike's New Flyknit Bra Offers Simple Yet Sturdy Support [online], [retrieved Aug. 2, 2018] retrieved from internet <URL: https://www.runnersworld.com/gear/a20866649/first-look-nikes-new-flyknit-bra-offers-simple-yet-sturdy-support/>; 5 color sheets, Dated Jul. 12, 2017.

* cited by examiner

Primary Examiner — Catherine R Oliver-Garcia
Assistant Examiner — J. Thorn, Sr.
(74) *Attorney, Agent, or Firm* — Banner & Witcoff, Ltd.

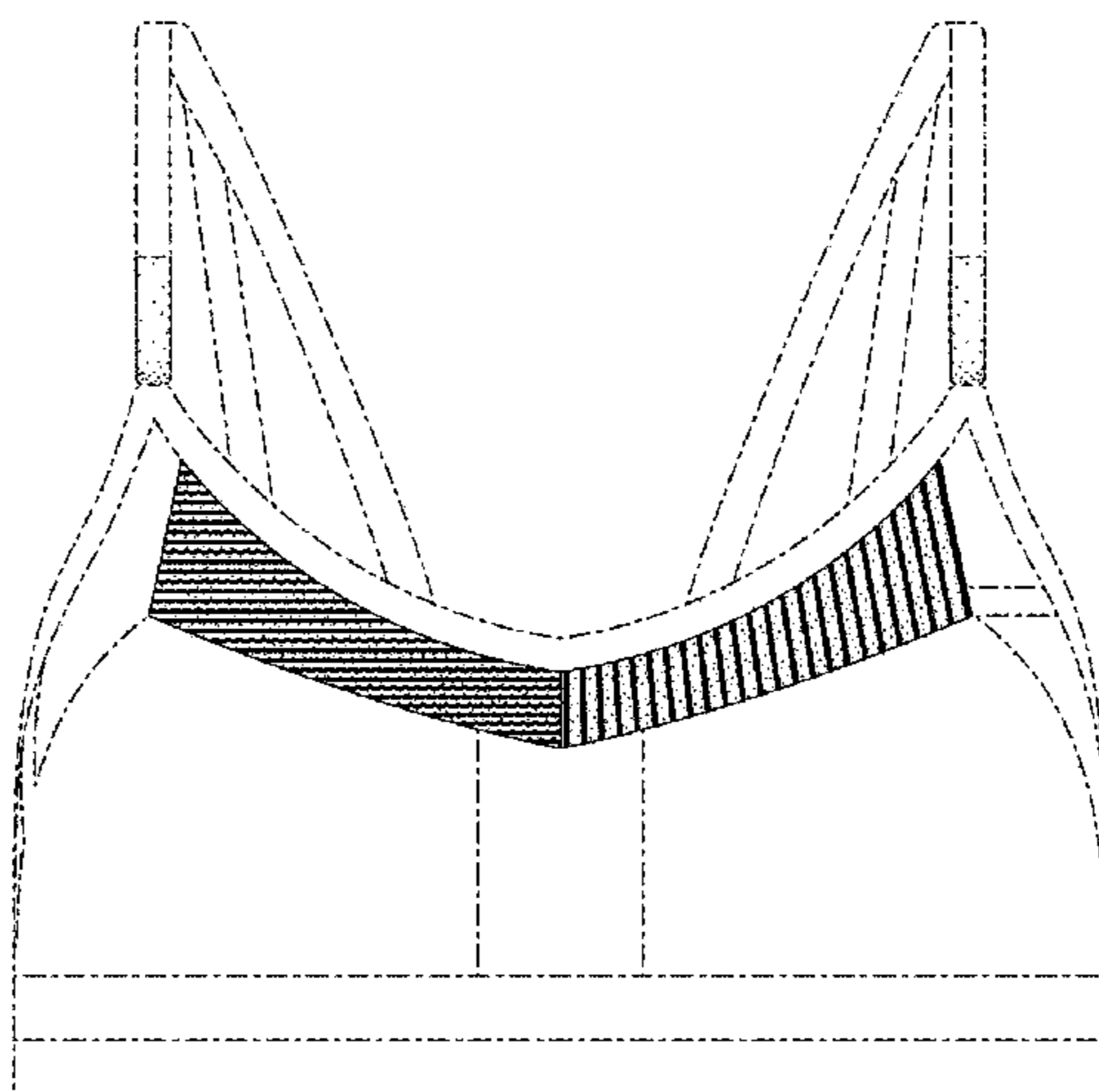
(57) **CLAIM**

The ornamental design for a bra, as shown and described.

DESCRIPTION

FIG. 1 is a front perspective view of a bra showing my new design;
FIG. 2 is a front view thereof;
FIG. 3 is an opposite front perspective view thereof;
FIG. 4 is a front perspective view of an alternative embodiment of a bra showing my new design;
FIG. 5 is a front view thereof; and,
FIG. 6 is an opposite front perspective view thereof.
The broken lines immediately adjacent to the shaded areas on the straps define bounds of the claimed design and form no part thereof. The contrast between the solid black striped regions and the stippled striped regions represents contrast in appearance only and does not represent any particular color, material, texture or finish. The broken lines depicting the remainder of the bra show features that form no part of the claimed design.

1 Claim, 6 Drawing Sheets



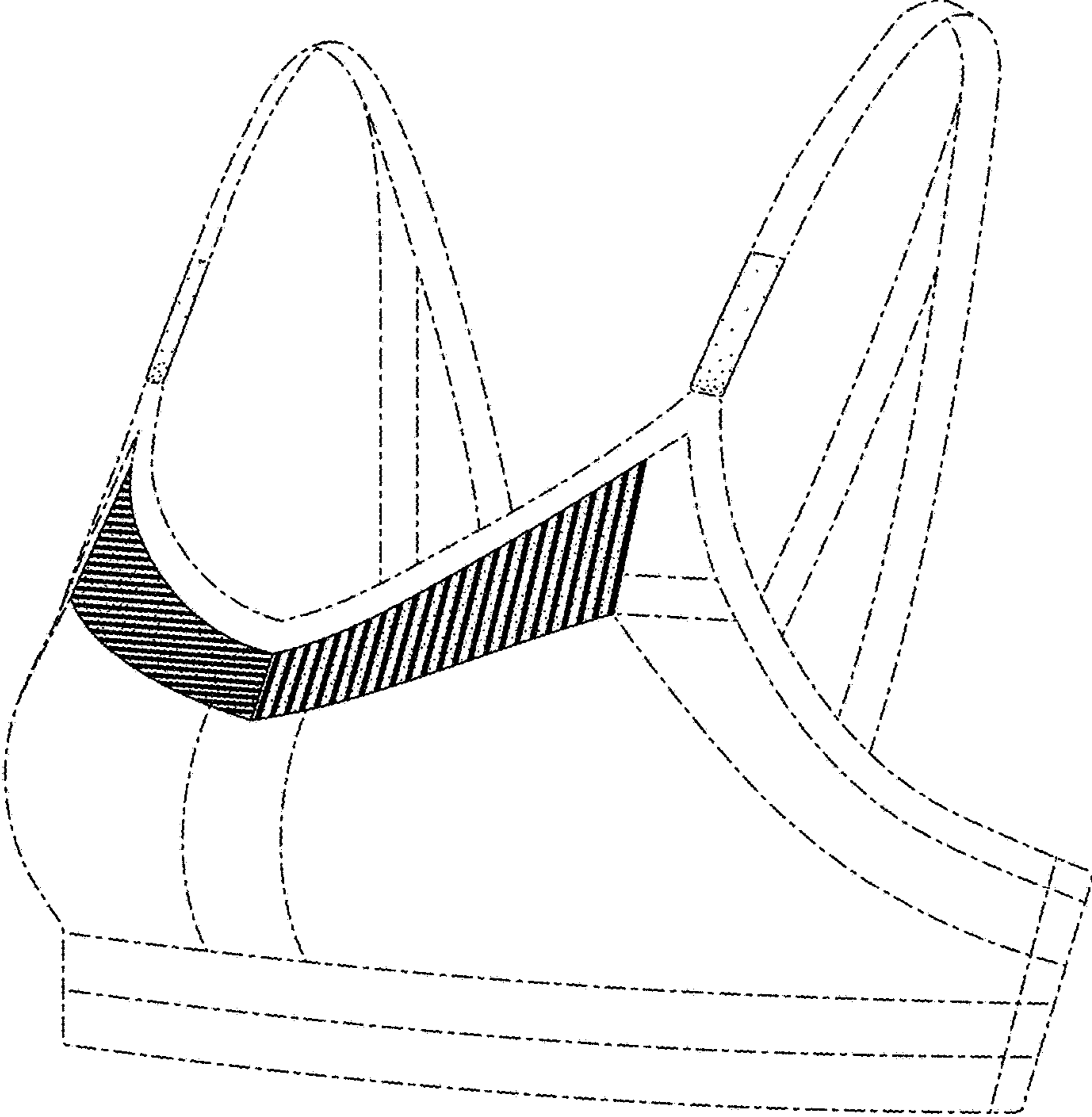


FIG. 1

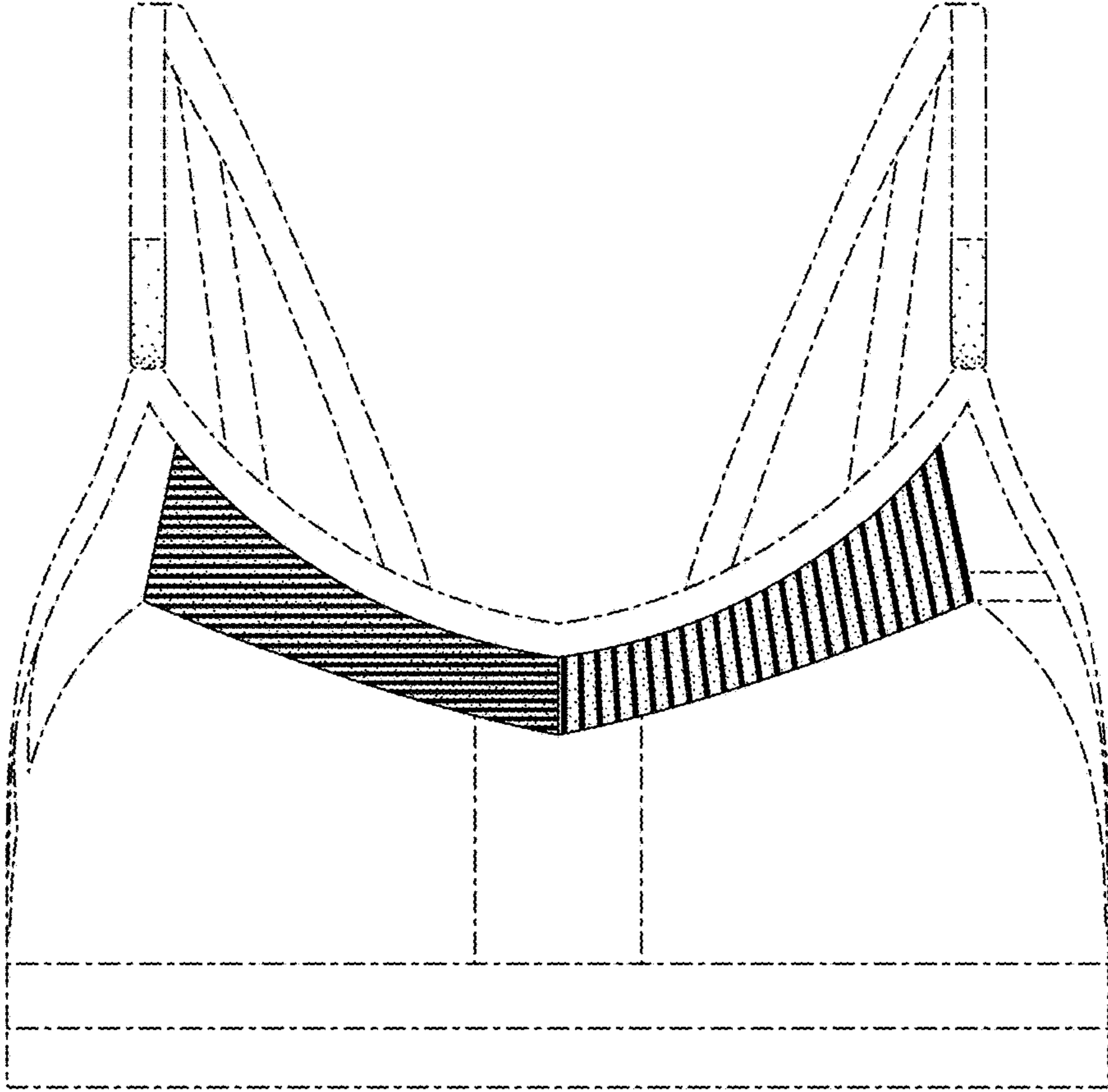


FIG. 2

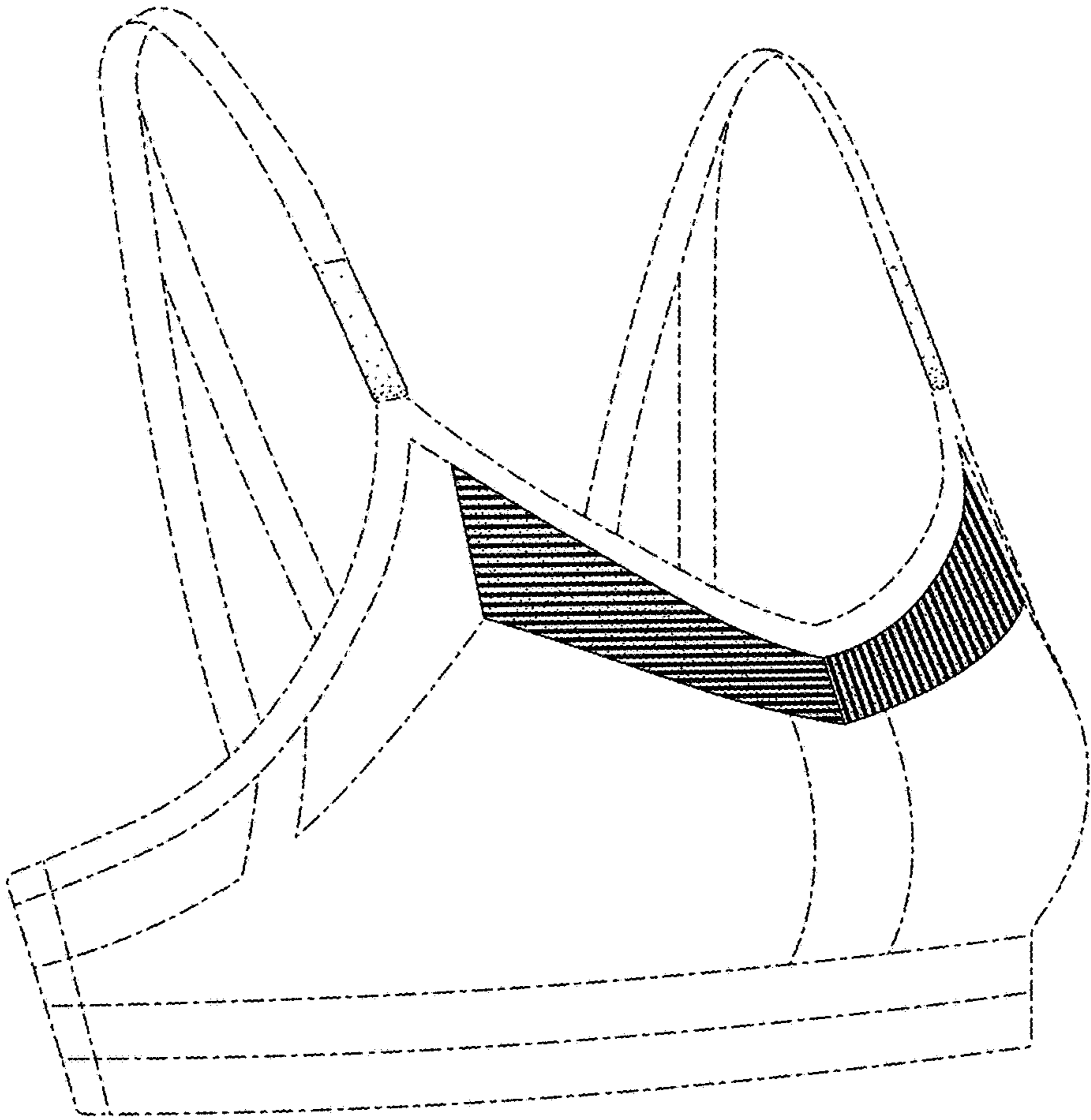


FIG. 3

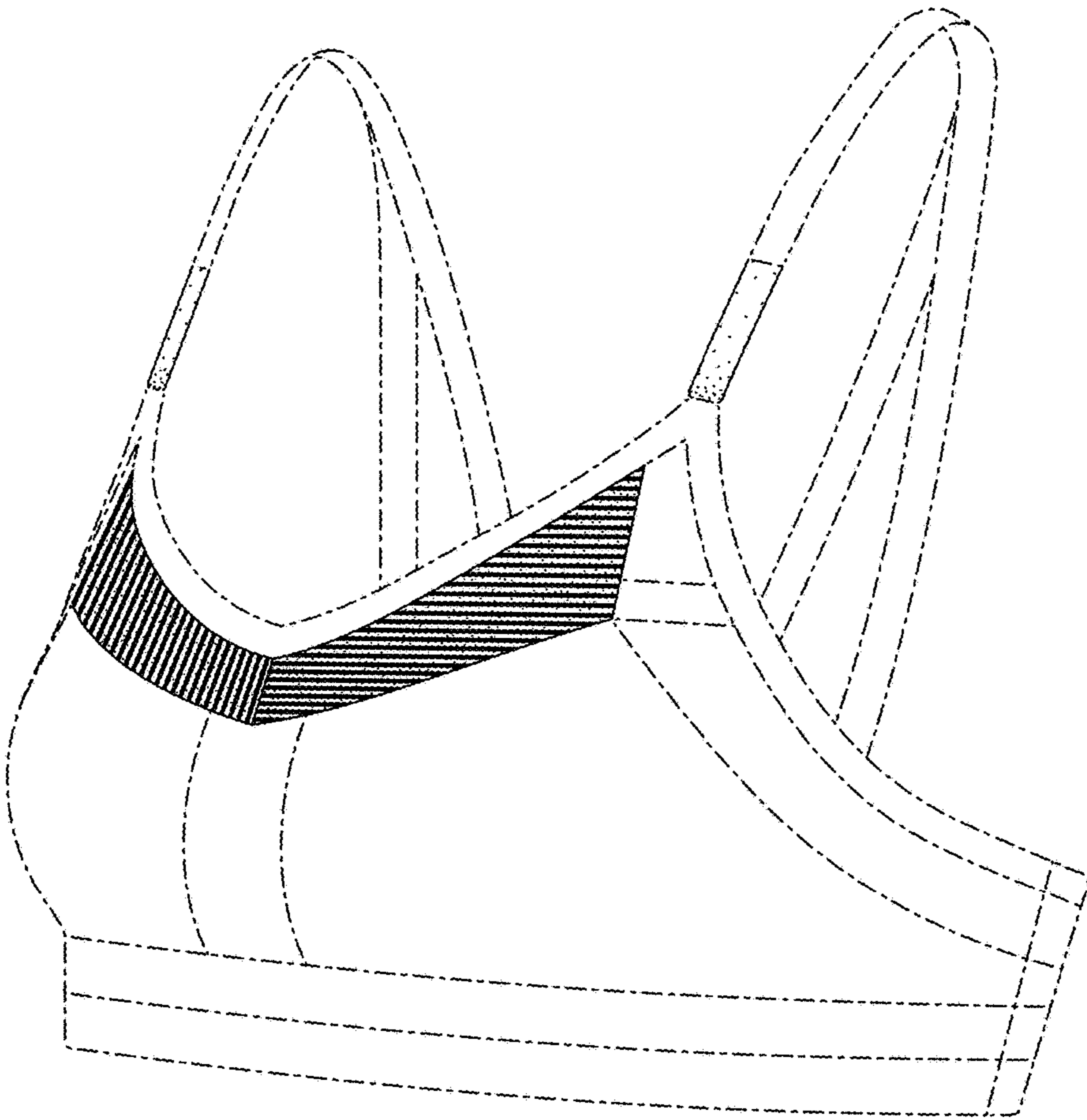


FIG. 4

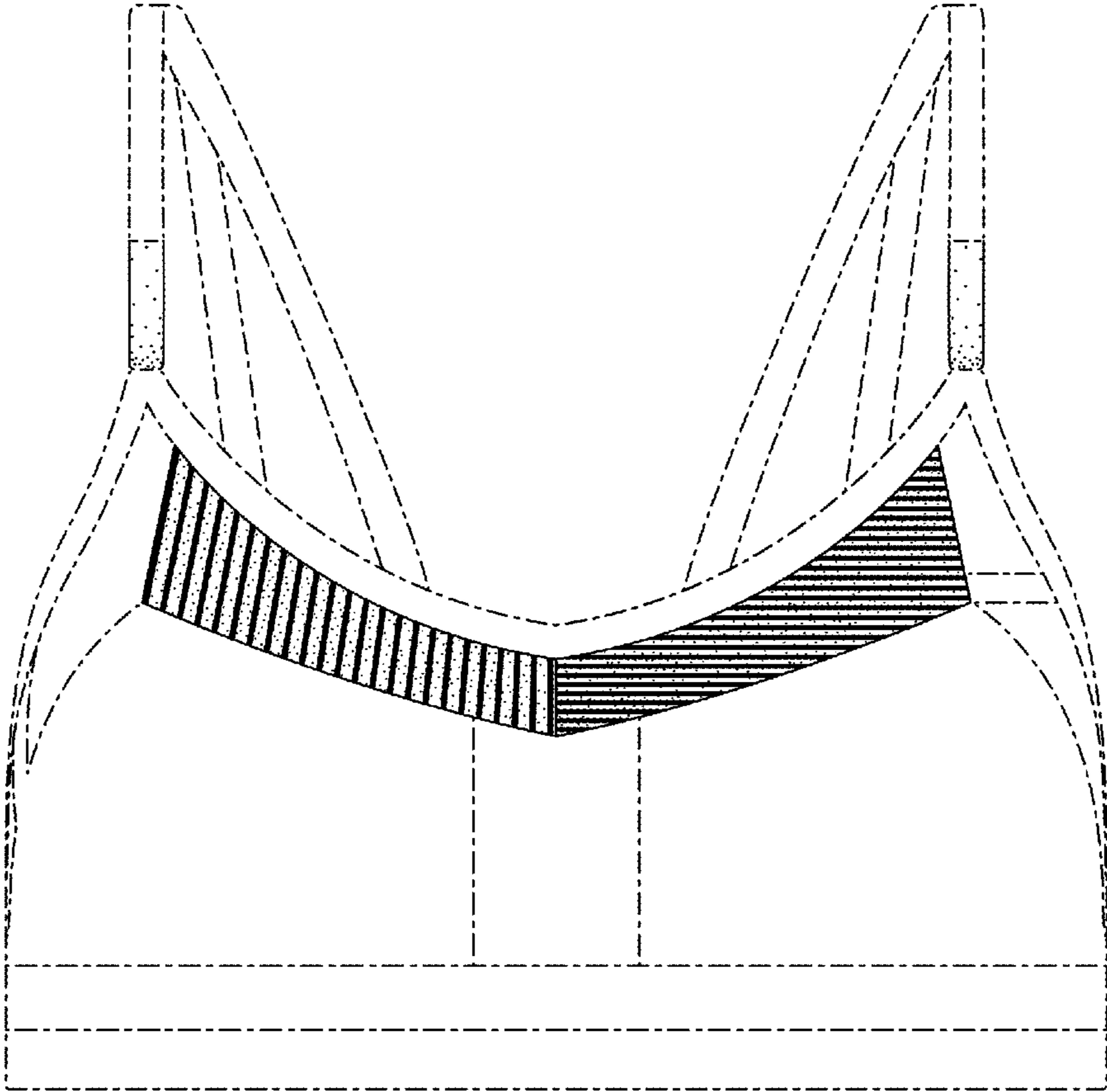


FIG. 5

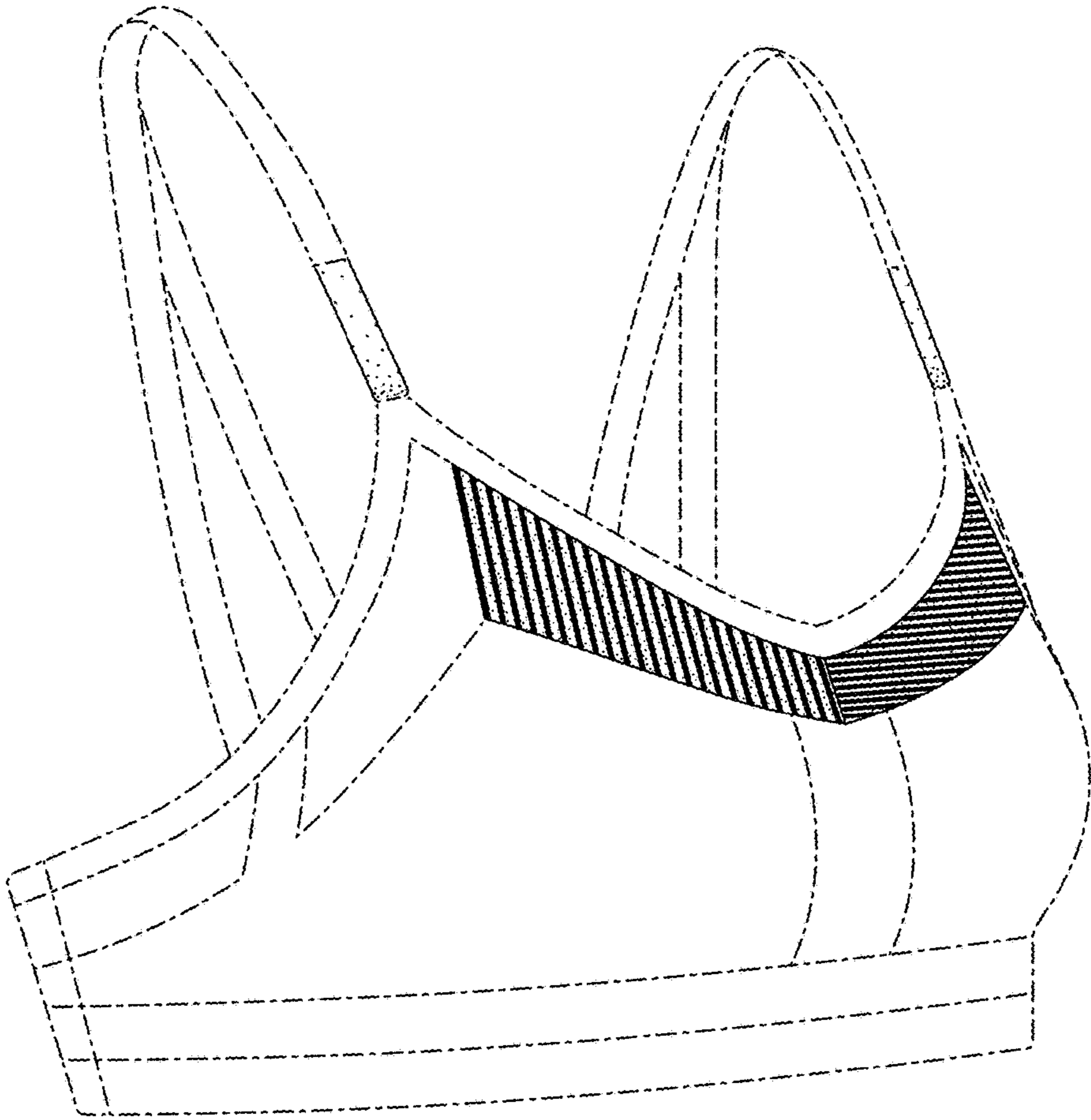


FIG. 6