



US00D866118S

(12) **United States Design Patent**  
**Melendez et al.**

(10) **Patent No.:** **US D866,118 S**

(45) **Date of Patent:** **\*\* Nov. 12, 2019**

(54) **SPORTS BRA**

(71) Applicant: **Spanx, Inc.**, Atlanta, GA (US)

(72) Inventors: **Angelica Melendez**, Atlanta, GA (US);  
**Chloe Wieser**, Decatur, GA (US)

(73) Assignee: **SPANX, Inc.**, Atlanta, GA (US)

(\*\*) Term: **15 Years**

(21) Appl. No.: **29/645,955**

(22) Filed: **Apr. 30, 2018**

(51) **LOC (12) Cl.** ..... **02-01**

(52) **U.S. Cl.**  
USPC ..... **D2/706; D2/731**

(58) **Field of Classification Search**  
USPC ..... D2/706-709, 723, 793-794, 639  
CPC ..... A41C 3/00; A41C 3/0057; A41C 3/12  
See application file for complete search history.

(56) **References Cited**

U.S. PATENT DOCUMENTS

D259,370	S	*	6/1981	Schreiber	.....	D2/708
4,311,150	A	*	1/1982	Schreiber	.....	A41C 3/0057 450/70
5,823,851	A	*	10/1998	Dicker	.....	A41C 3/0057 450/2
D658,353	S	*	5/2012	Cage	.....	D2/708
D835,884	S	*	12/2018	Alligood	.....	D2/708
D842,582	S	*	3/2019	Rendone	.....	D2/706
D843,081	S	*	3/2019	Rendone	.....	D2/706
2011/0217903	A1	*	9/2011	Harlow	.....	A41C 3/10 450/54

2019/0008215	A1	*	1/2019	Delulio	.....	A41C 3/0028
2019/0037930	A1	*	2/2019	Rendone	.....	A41C 3/00
2019/0110524	A1	*	4/2019	Kelley	.....	A41F 15/00

\* cited by examiner

*Primary Examiner* — Catherine R Oliver-Garcia

*Assistant Examiner* — J. Thorn, Sr.

(74) *Attorney, Agent, or Firm* — Meunier Carlin & Curfman LLC

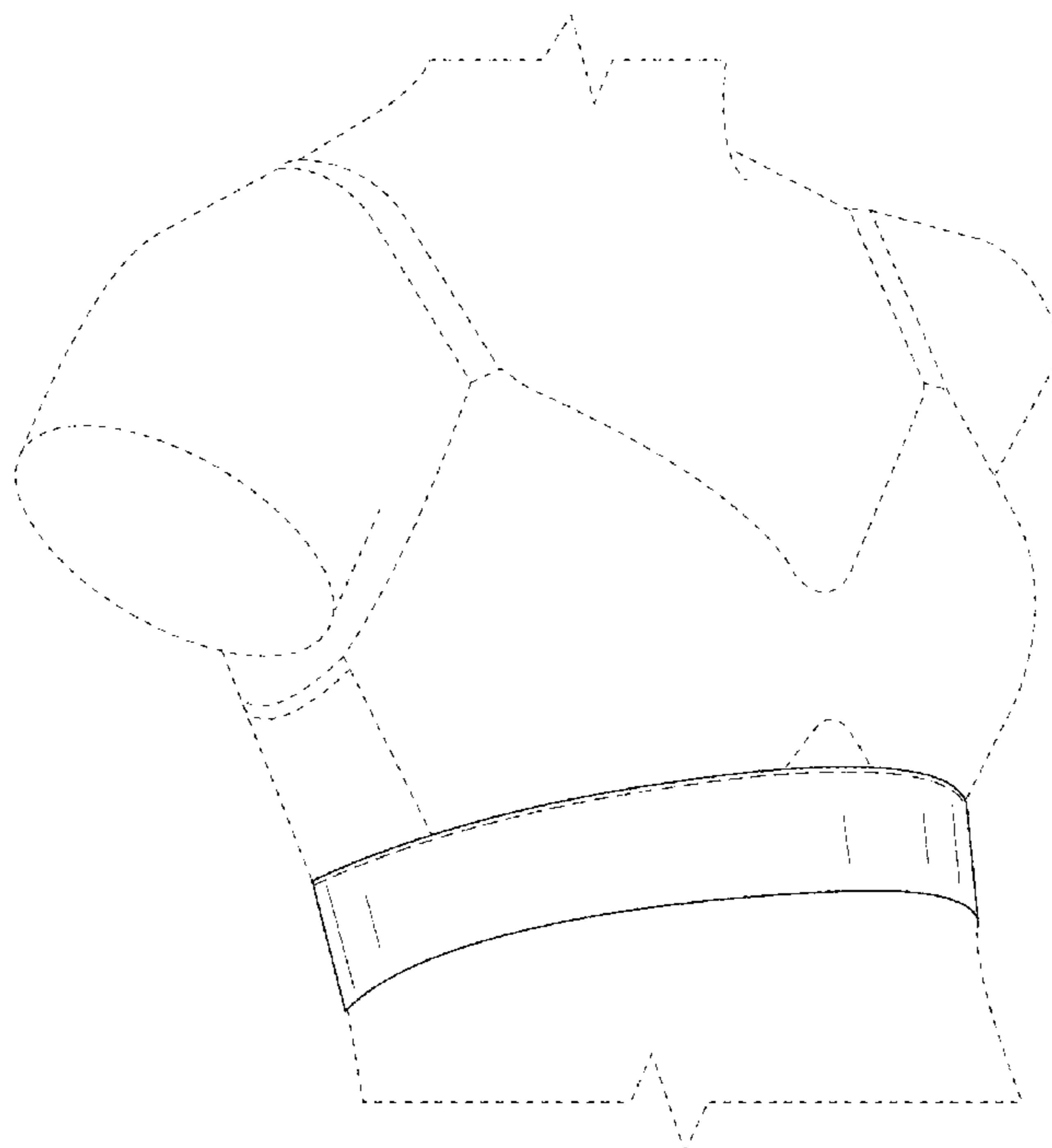
(57) **CLAIM**

The ornamental design for a sports bra, as shown and described.

**DESCRIPTION**

FIG. 1 is a front perspective view of our new design in use.  
 FIG. 2 is a front view thereof.  
 FIG. 3 is a rear view thereof.  
 FIG. 4 is a right-side view thereof.  
 FIG. 5 is a left-side view thereof.  
 FIG. 6 is a top view thereof.  
 FIG. 7 is a bottom view thereof; and,  
 FIG. 8 is a top view of our new design when not in use.  
 The partial human figure rendered in short broken lines in FIGS. 1-7 illustrates environmental subject matter intended to assist in showing how the design appears when in use and forms no part of the claim. The short broken lines showing elements of the sports bra in the drawings illustrate features of the article of manufacture that form no part of the claimed design. The portions of the design shown in large broken lines are stitching and form no part of the claim.

**1 Claim, 8 Drawing Sheets**



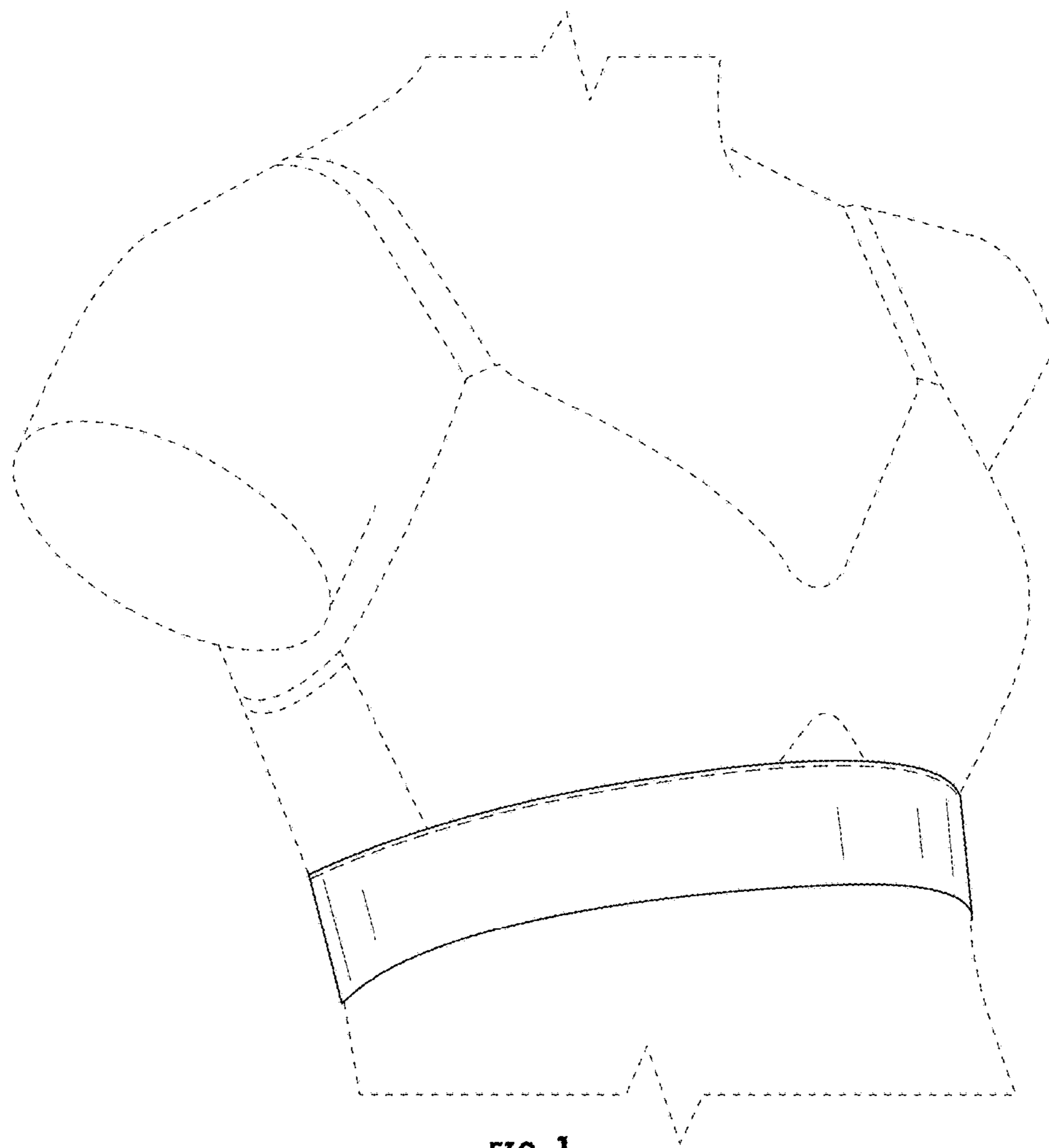


FIG. 1

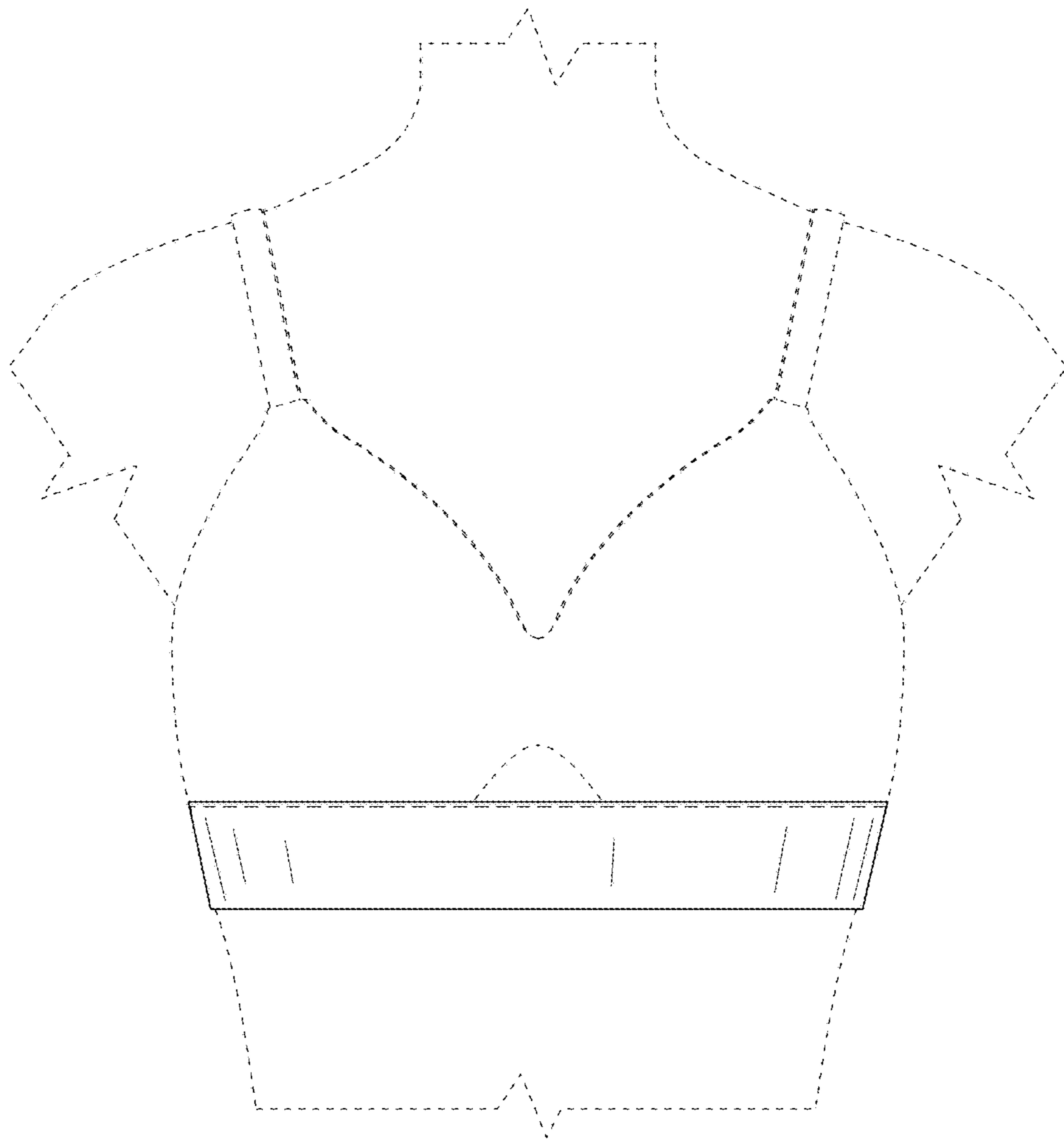


FIG. 2

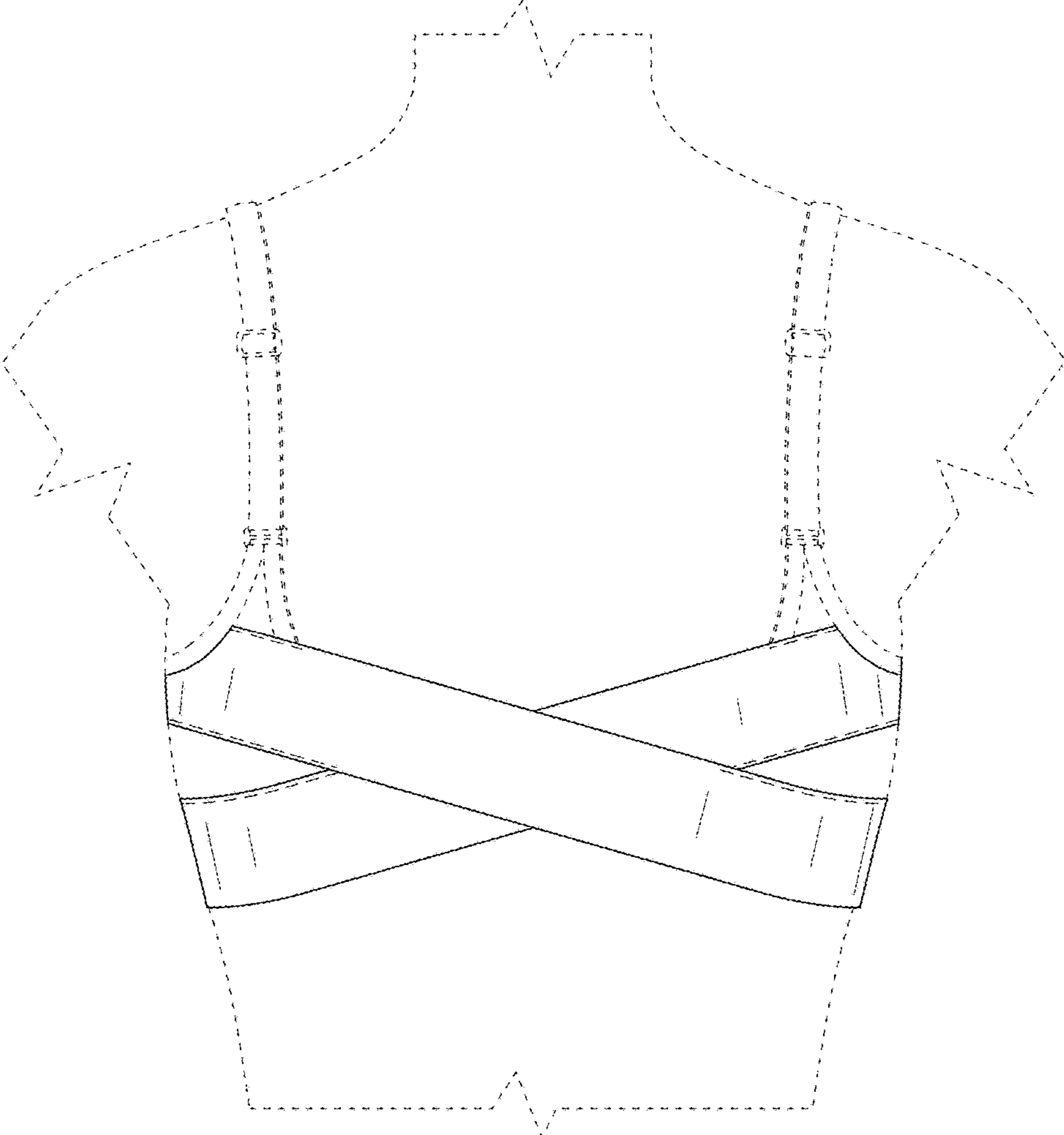


FIG. 3

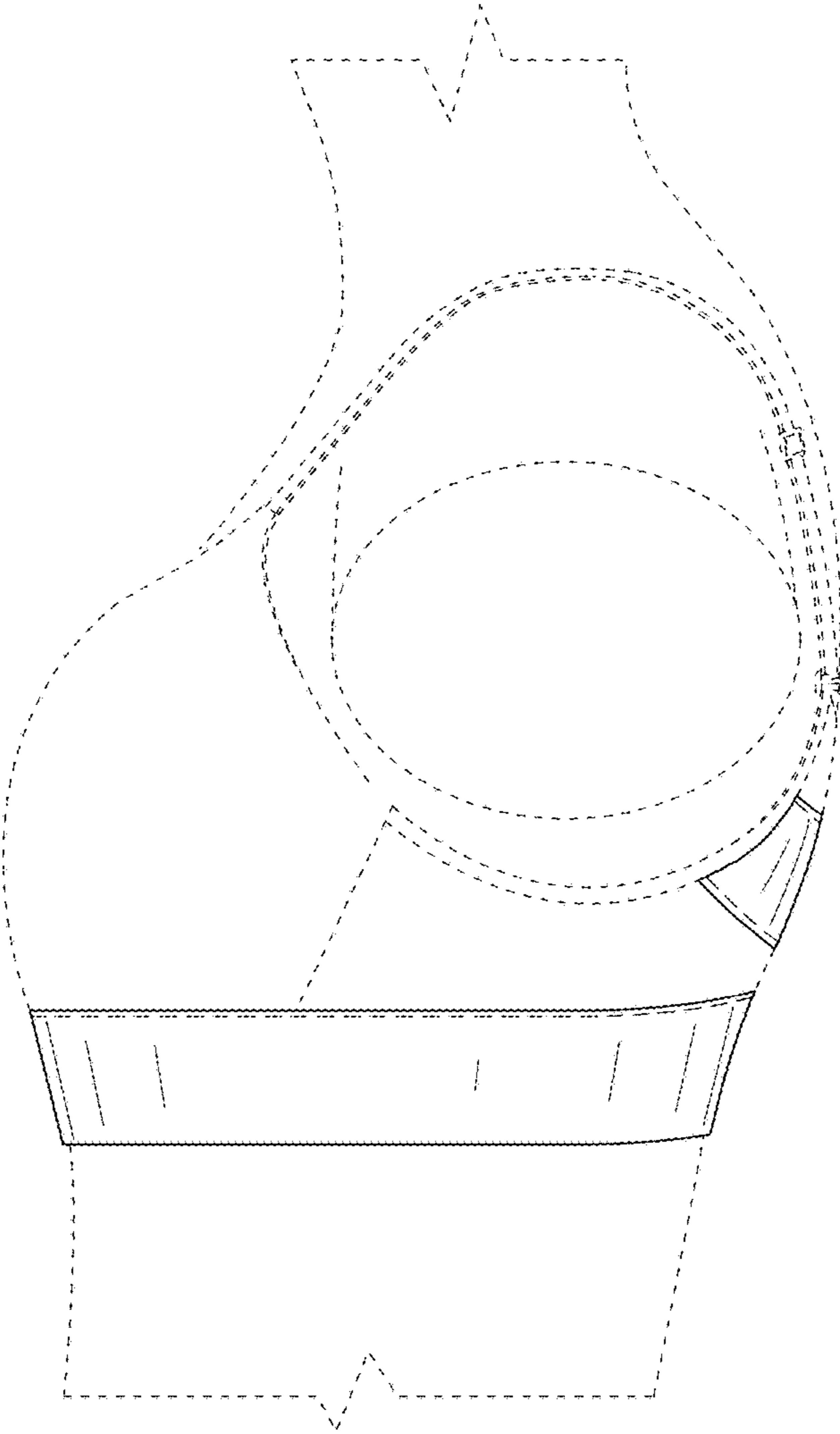


FIG. 4

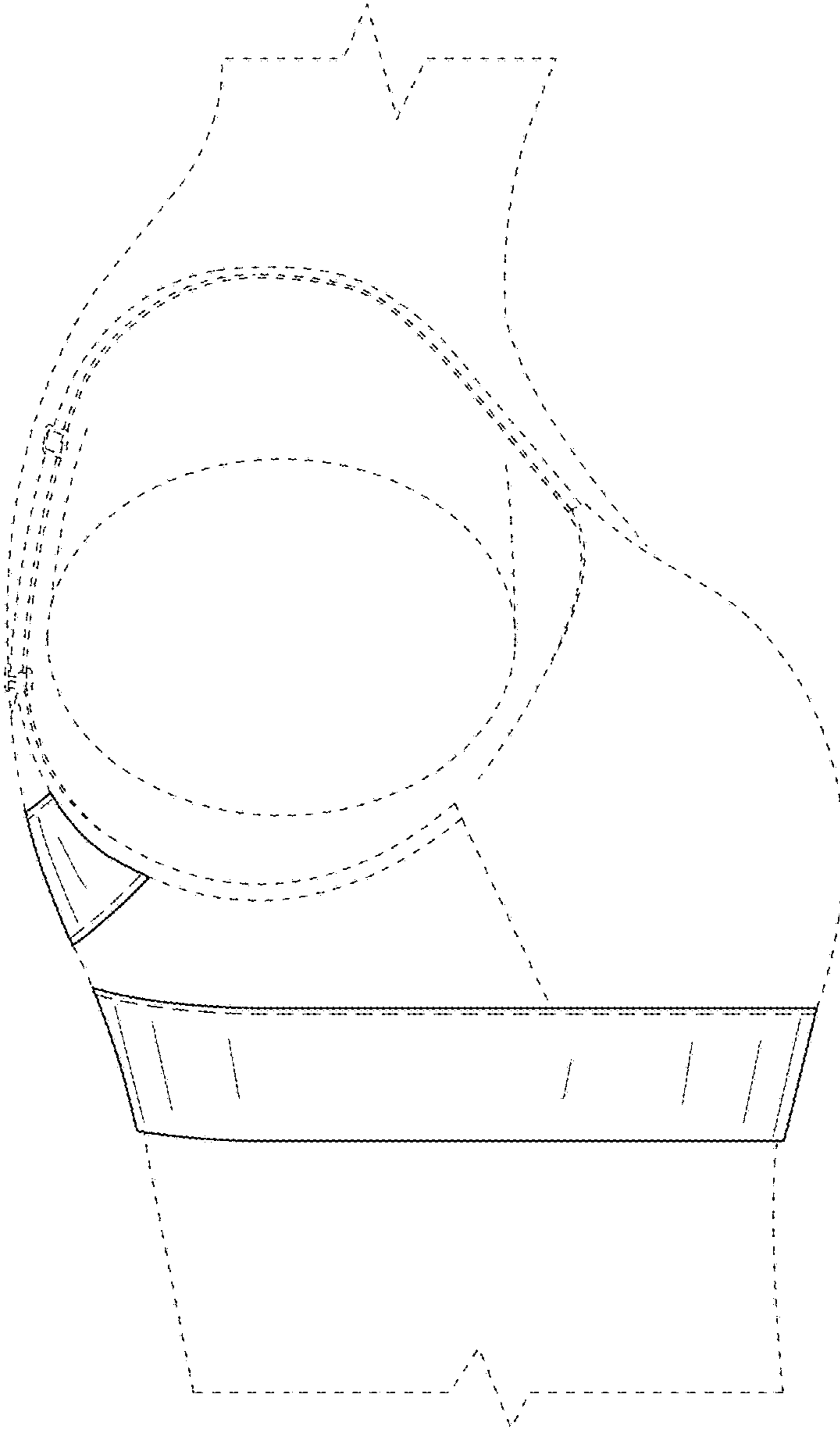


FIG. 5

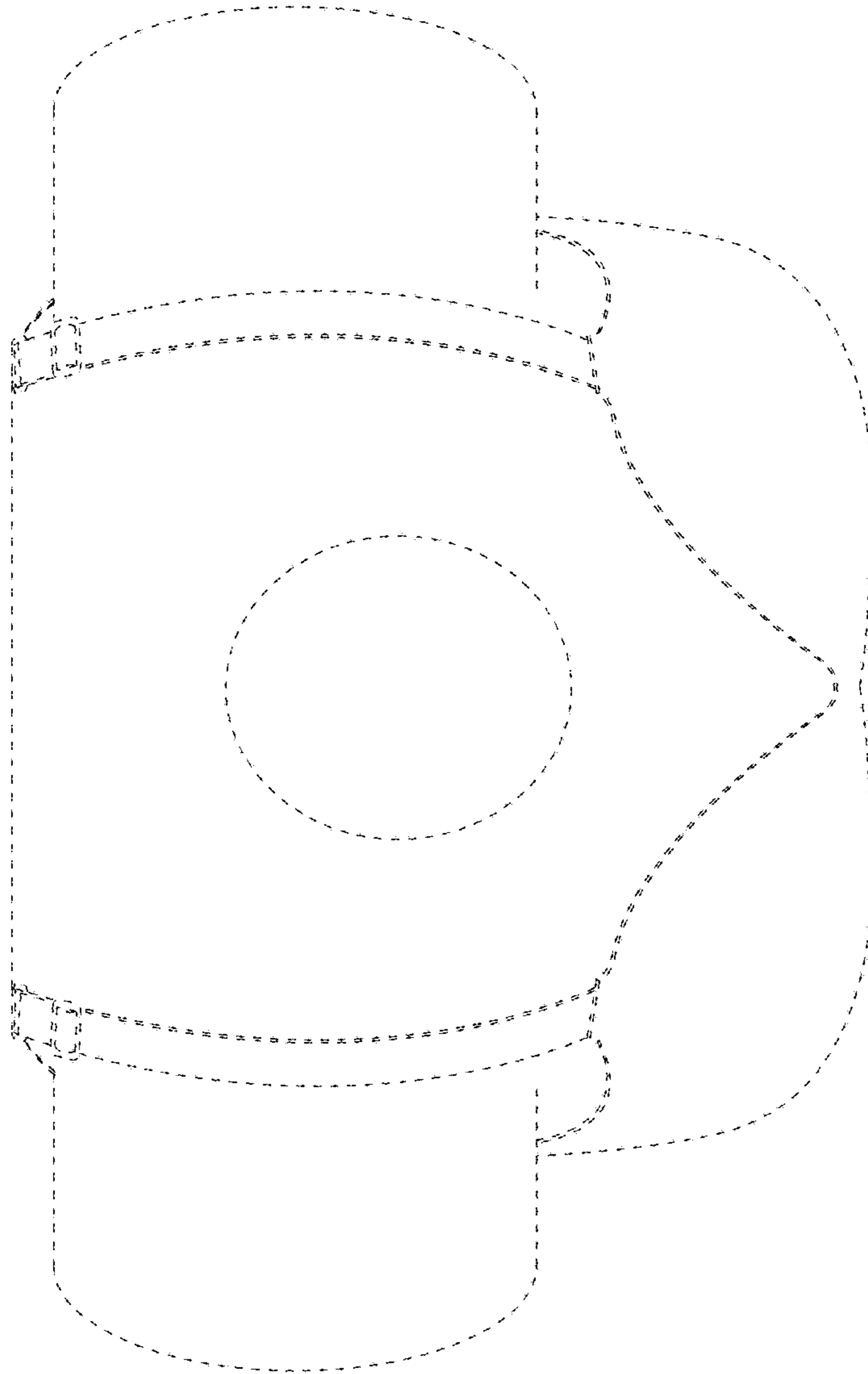


FIG. 6

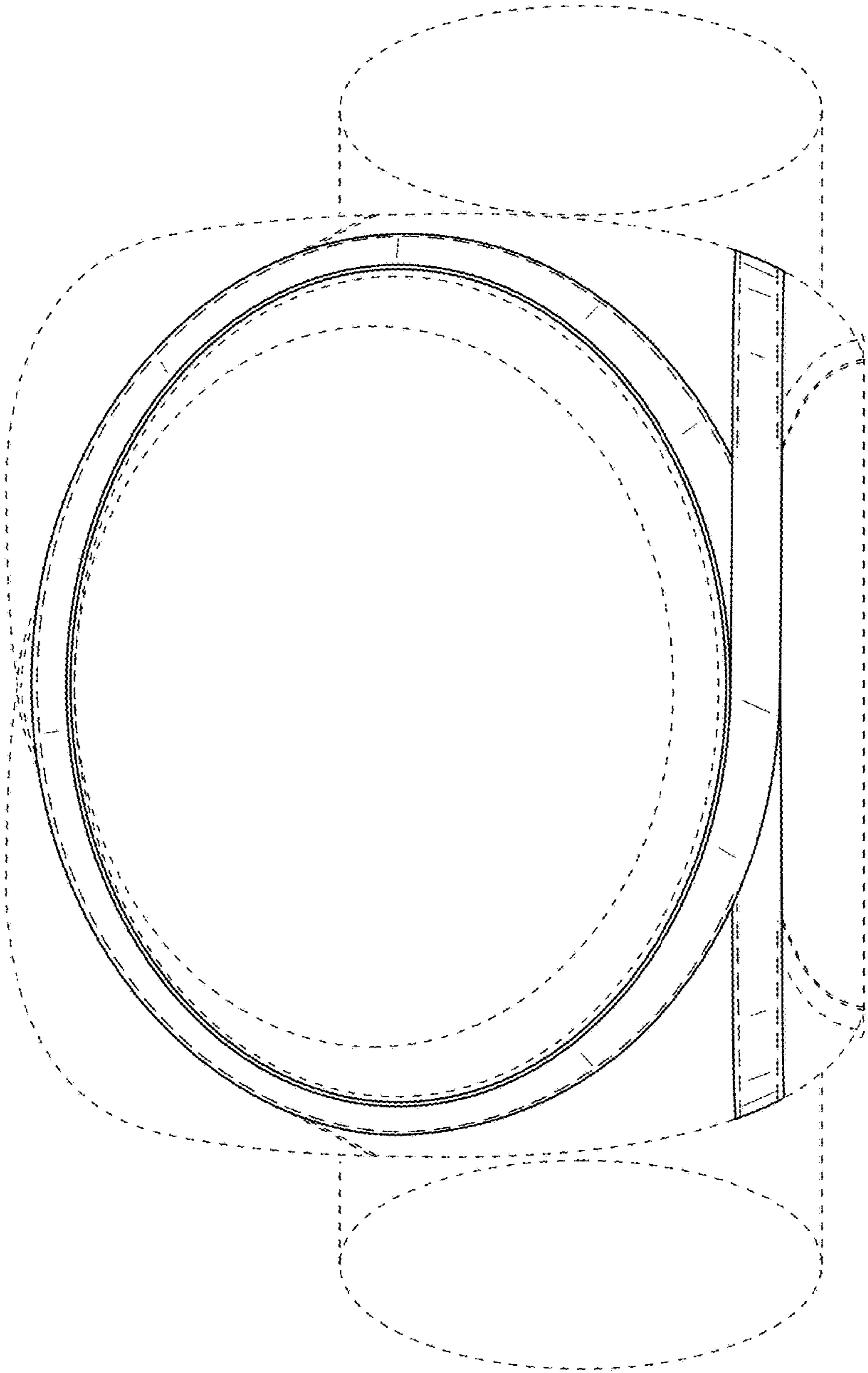


FIG. 7



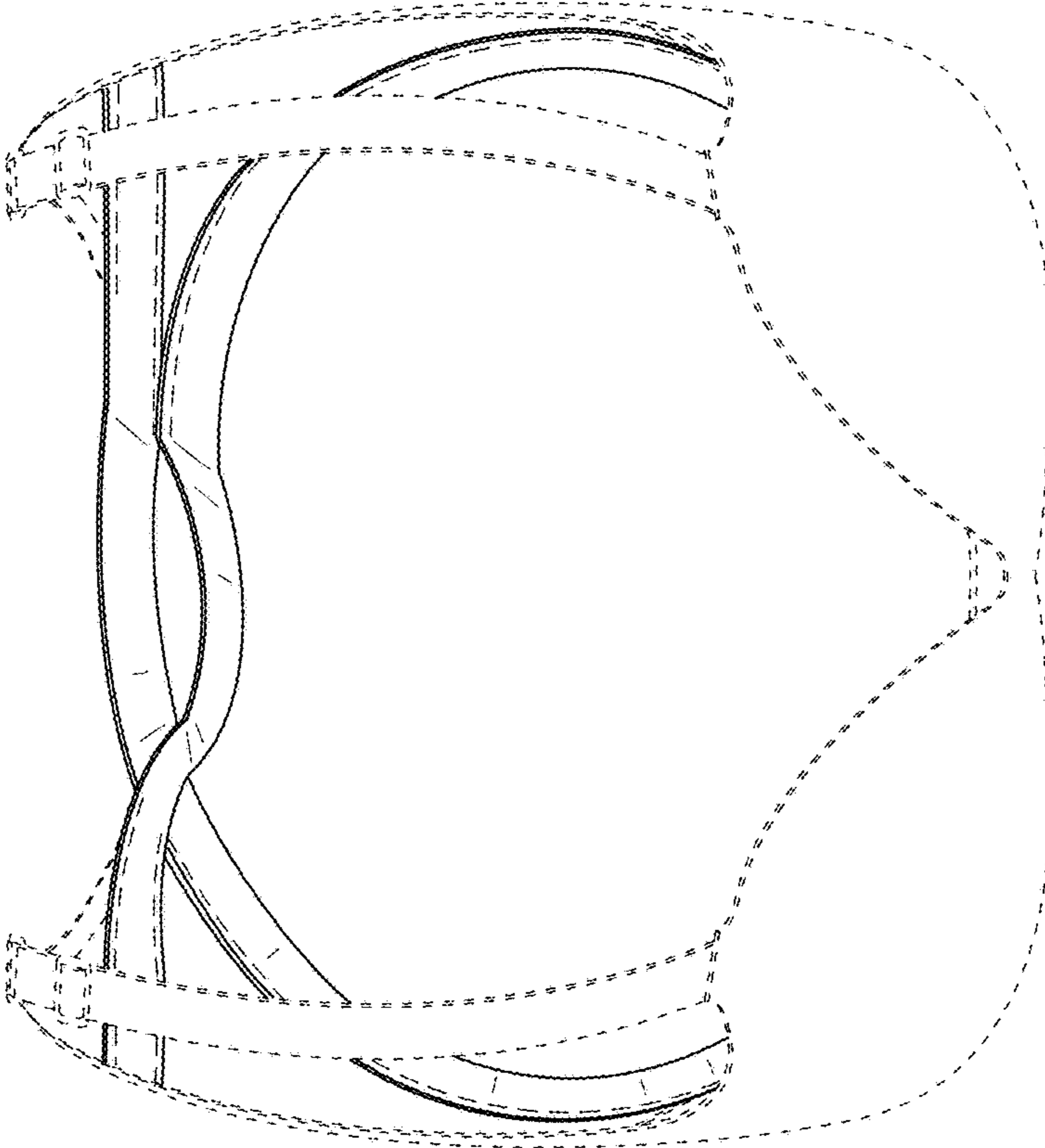


FIG. 8