

US00D866117S

(12) **United States Design Patent** (10) **Patent No.:** **US D866,117 S**
Morabito (45) **Date of Patent:** **** Nov. 12, 2019**

(54) **SEAT BELT BUCKLE COVER**

(71) Applicant: **Waymo LLC**, Mountain View, CA (US)

(72) Inventor: **Richard Morabito**, Grosse Ile, MI (US)

(73) Assignee: **Waymo LLC**, Mountain View, CA (US)

(**) Term: **15 Years**

(21) Appl. No.: **29/629,924**

(22) Filed: **Dec. 18, 2017**

(51) **LOC (12) Cl.** **02-07**

(52) **U.S. Cl.**
USPC **D2/639**

(58) **Field of Classification Search**
USPC D2/623-629, 631, 633-640, 701, 859,
D2/861, 894; D3/224, 226; D24/186,
D24/190; D29/101.1, 101.3, 101.5;
D21/805; D8/395; D9/457; D30/152;
D11/200

(Continued)

(56) **References Cited**

U.S. PATENT DOCUMENTS

3,484,908 A * 12/1969 Lamb A44B 11/2576
24/323

4,368,563 A 1/1983 Lentz
(Continued)

OTHER PUBLICATIONS

“Seat Belt Buckle Guard” Walmart.com Oct. 18, 2017. <<https://www.walmart.com/ip/Seat-Belt-Buckle-Guard-2-Pack/30451068>>. Accessed on Mar. 14, 2019.*

(Continued)

Primary Examiner — Kevin K Rudzinski

Assistant Examiner — Clare Ann Gannon

(74) *Attorney, Agent, or Firm* — Botos Churchill IP Law

(57) **CLAIM**

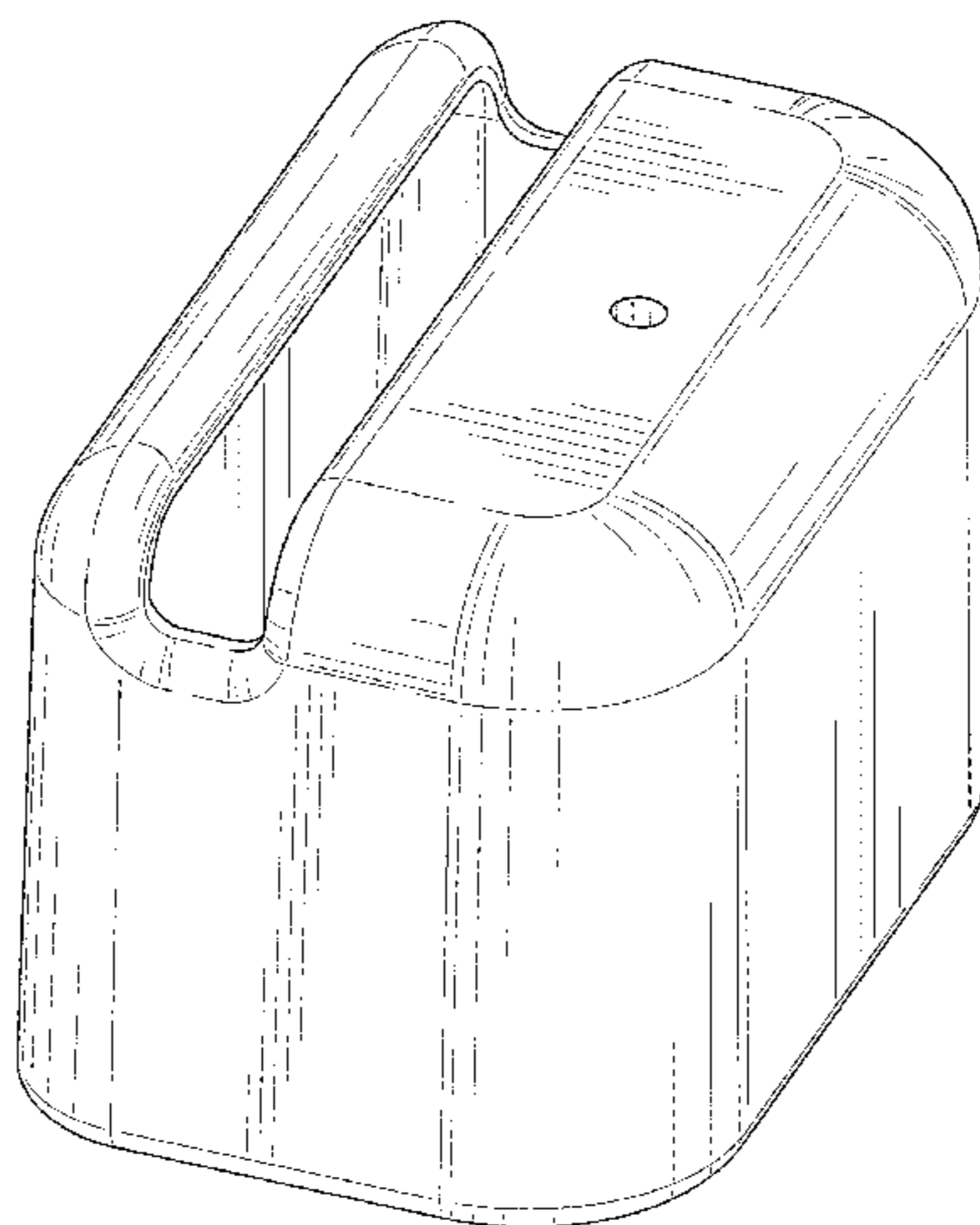
The ornamental design for a seat belt buckle cover, as shown and described.

DESCRIPTION

FIG. 1 is a top perspective view of the seat belt buckle cover according to a first embodiment of my design; FIG. 2 is a front elevation view thereof; FIG. 3 is a rear elevation view thereof; FIG. 4 is a right side elevation view thereof; FIG. 5 is a left side elevation view thereof; FIG. 6 is a top plan view thereof; FIG. 7 is a bottom plan view thereof; FIG. 8 is a top perspective view of the seat belt buckle cover according to a second embodiment of my design; FIG. 9 is a front elevation view thereof; FIG. 10 is a rear elevation view thereof; FIG. 11 is a right side elevation view thereof; FIG. 12 is a left side elevation view thereof; FIG. 13 is a top plan view thereof; FIG. 14 is a bottom plan view thereof; FIG. 15 is a top perspective view of the seat belt buckle cover according to a third embodiment of my design; FIG. 16 is a front elevation view thereof; FIG. 17 is a rear elevation view thereof; FIG. 18 is a right side elevation view thereof; FIG. 19 is a left side elevation view thereof; FIG. 20 is a top plan view thereof; and, FIG. 21 is a bottom plan view thereof.

Broken lines are environmental only and form no part of the claimed design. The break lines shown in FIGS. 15-19 symbolize a break in the length of the article in which the claimed design is embodied. The appearance of any portion of the article between the break lines forms no part of the claimed design

1 Claim, 12 Drawing Sheets



US D866,117 S

Page 2

(58) Field of Classification Search

CPC A41F 11/00; A41F 11/02; A41F 11/04;
A41F 11/06; A41F 11/14; A41F 11/16;
A41F 11/18; A41F 17/02; A41F 17/04;
A41F 19/00; A41F 19/005; A41F 3/00;
A41F 3/02; A41F 5/00; A41F 7/00; A41F
9/002; A62B 35/00; B60R 2022/006;
B60R 2022/008; B60R 22/00; B60R
22/10; A45F 2003/144; A45F 5/02; A61F
5/02; A61F 5/028; A41C 1/08; A41C
1/10; A44B 11/2576

See application file for complete search history.

(56) References Cited

U.S. PATENT DOCUMENTS

4,502,194 A 3/1985 Morris et al.
4,675,956 A 6/1987 Cohen
4,731,912 A 3/1988 Boriskie et al.
4,987,662 A * 1/1991 Haffey A44B 11/2576
24/633
5,121,528 A 6/1992 Tanaka
5,307,544 A 5/1994 Quarberg et al.
D358,246 S * 5/1995 Bacchiocchi D2/639
5,416,957 A * 5/1995 Renzi, Sr. A44B 11/2576
24/579.11
5,442,840 A * 8/1995 Ewald A44B 11/2576
24/579.11
5,617,617 A * 4/1997 Gustin A44B 11/2576
24/579.11
5,911,479 A * 6/1999 Atkinson B60R 22/00
297/482
6,041,480 A 3/2000 White
D450,910 S * 11/2001 Zaldumbide D2/639
6,332,252 B1 12/2001 Powers
6,668,433 B1 * 12/2003 Hood A44B 11/2576
24/163 R
D531,085 S * 10/2006 Ector-Posey A44B 11/2576
D11/200

D560,138 S * 1/2008 Mandarino A44B 11/2576
D11/200
D630,970 S * 1/2011 McNaughton A44B 11/2576
D11/200
D708,420 S * 7/2014 Rosales B60R 22/00
D11/200
9,155,360 B1 * 10/2015 Mowad A44B 11/12
D747,582 S * 1/2016 Weller A44B 11/2576
D32/40
D799,368 S 10/2017 Turvold et al.
D807,028 S * 1/2018 Resca A44B 11/2576
D3/222
D808,641 S * 1/2018 Clover D3/218
D830,880 S * 10/2018 Akana A44B 11/2576
D11/94
D837,687 S * 1/2019 Marsden A44B 11/2576
D11/216
2005/0204523 A1 9/2005 Smith
2007/0289111 A1 * 12/2007 Mandarino A44B 11/2576
24/633
2009/0126170 A1 * 5/2009 Guerra A44B 11/2576
24/573.11
2011/0083304 A1 4/2011 Allison, Jr.
2011/0203329 A1 * 8/2011 Fong A44B 11/2576
70/58

OTHER PUBLICATIONS

Buckle Boss® Belt Guard. Help Keep Kids Safely Buckled Up!
Nov. 19, 2017. Retrieved from the Internet: <<https://buckleboss.com/>>. 2 pages.

Wheelchair Prescription—Seat Belt Buckle Security Cover. Nov.
19, 2017. Retrieved from the Internet: <<http://wheelchairprescription.com/accessories/seat-belt-buckle-security-cover/>>. 1 page.

Willshire. Seat Belt Buckle Covers. © 2015. Retrieved from the
Internet: <<https://www.willshire.com.au/willshire-mobility/mobility-accessories/buckle-covers/>>. 3 pages.

* cited by examiner

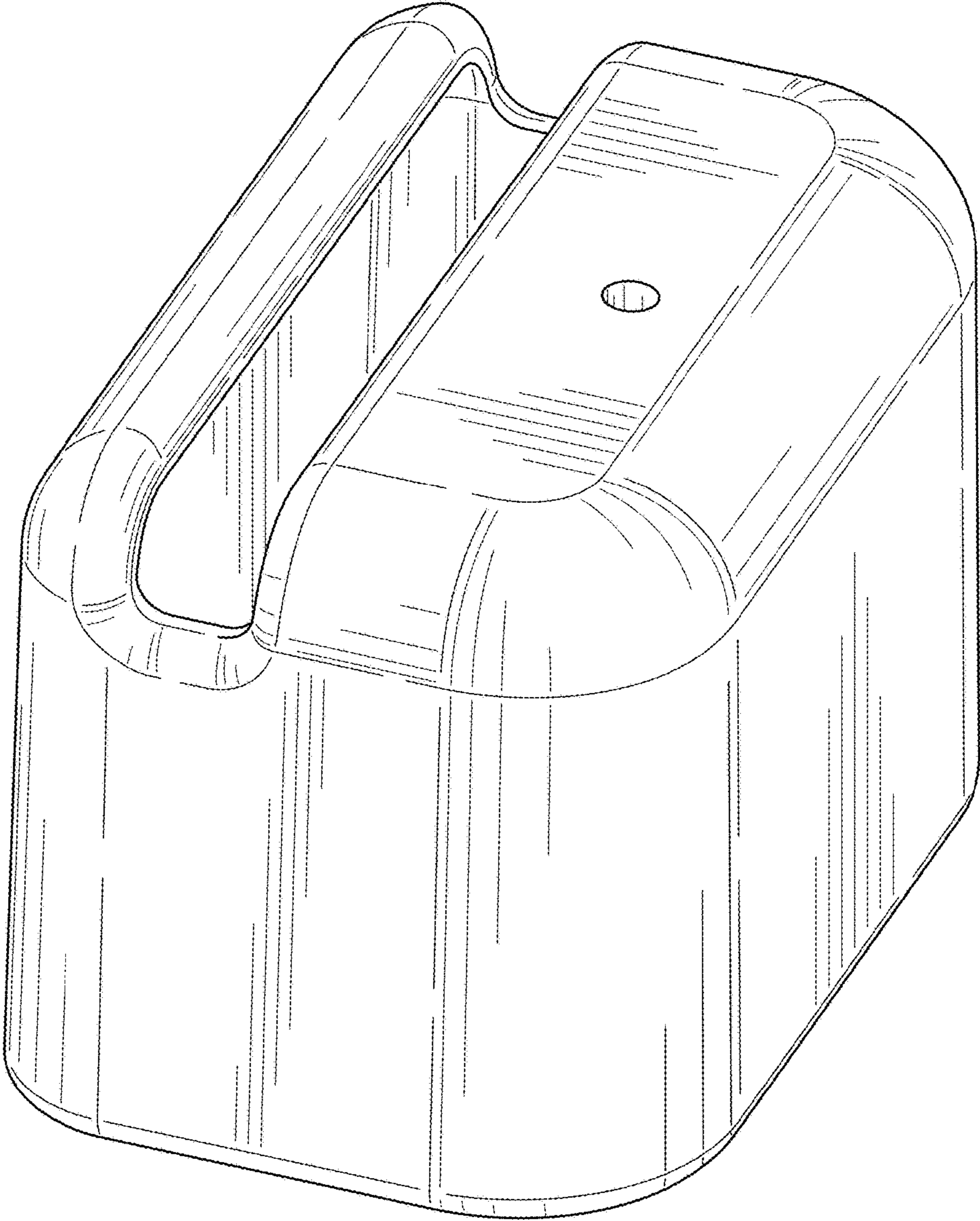


FIG. 1

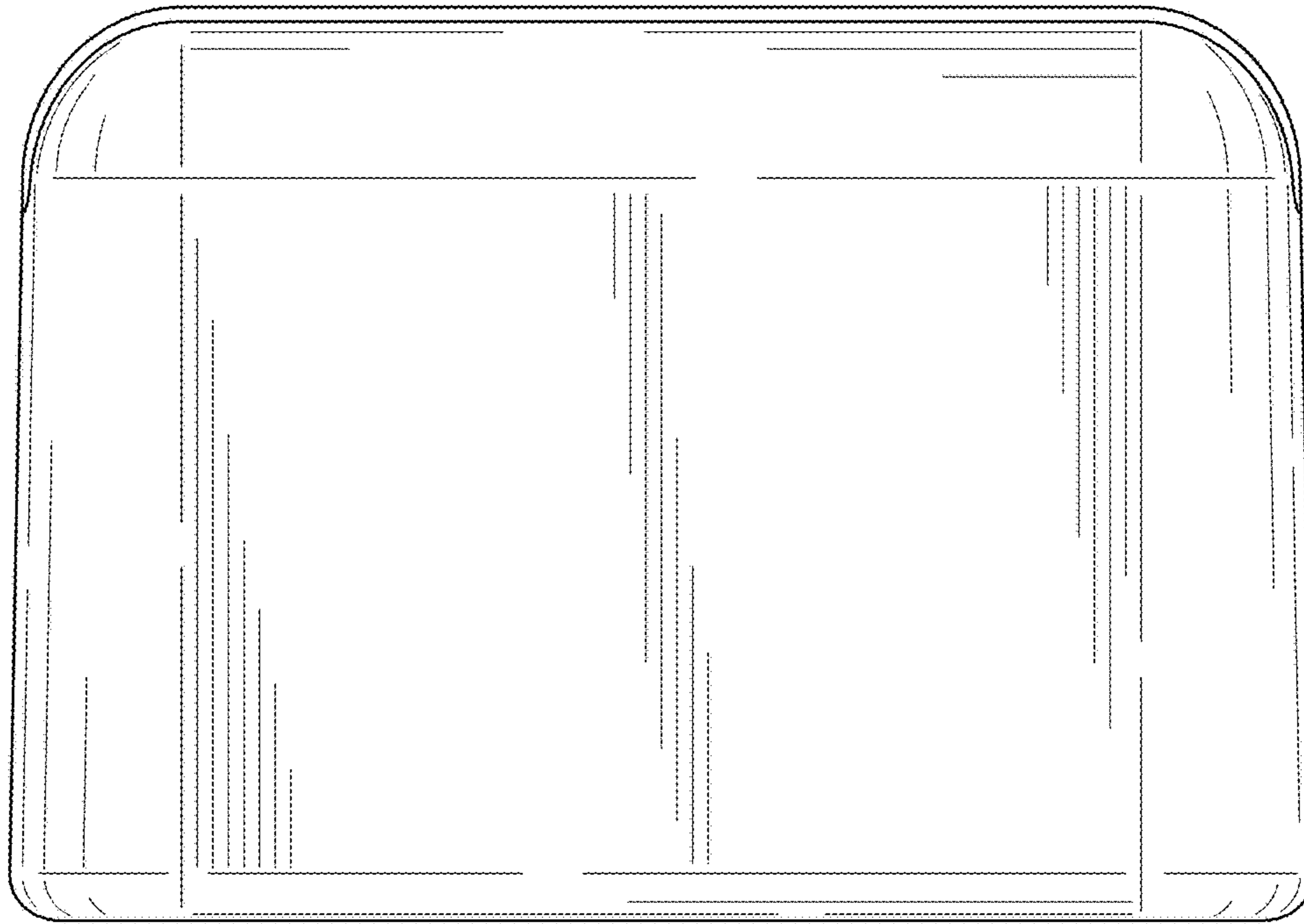


FIG. 2

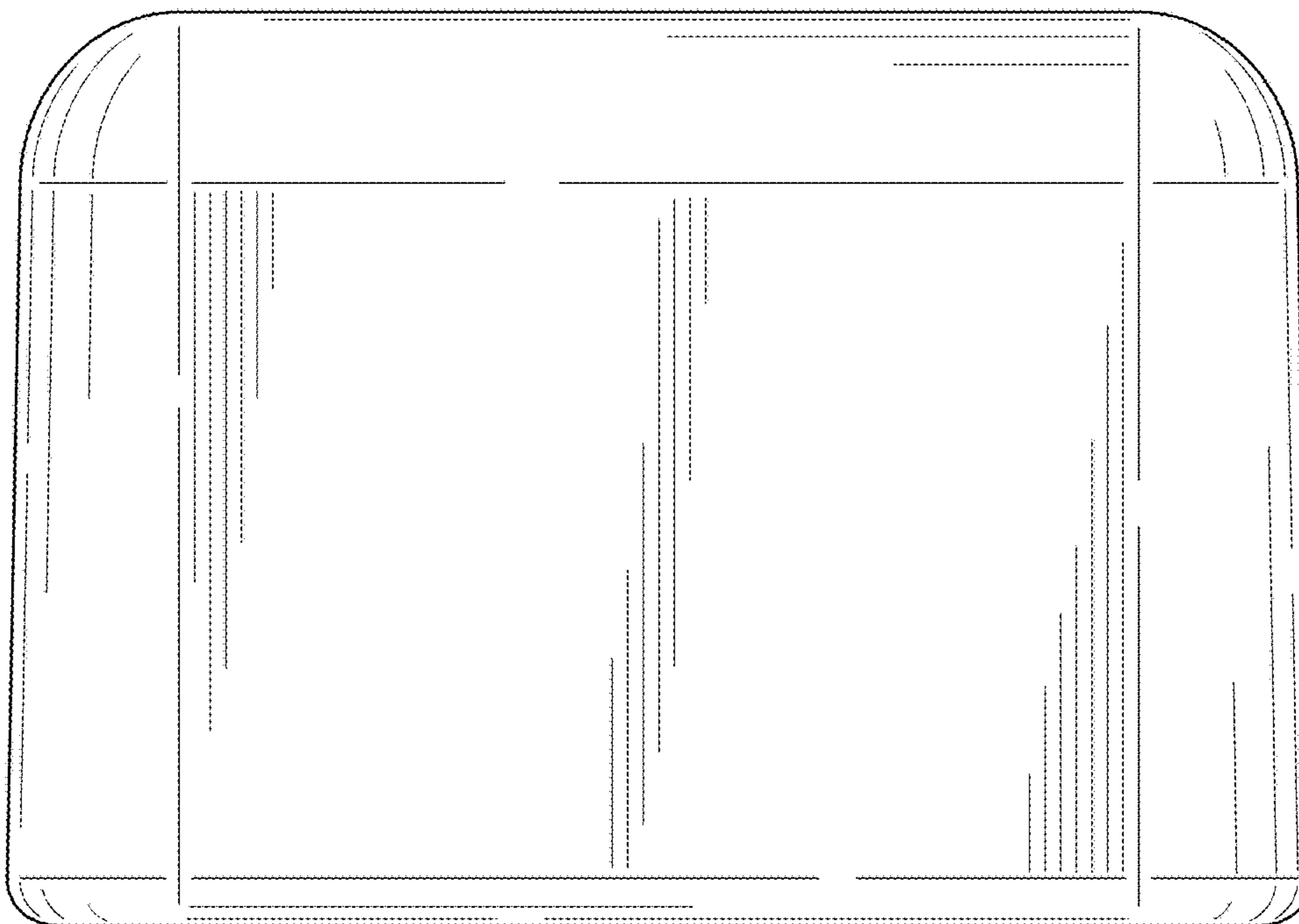


FIG. 3

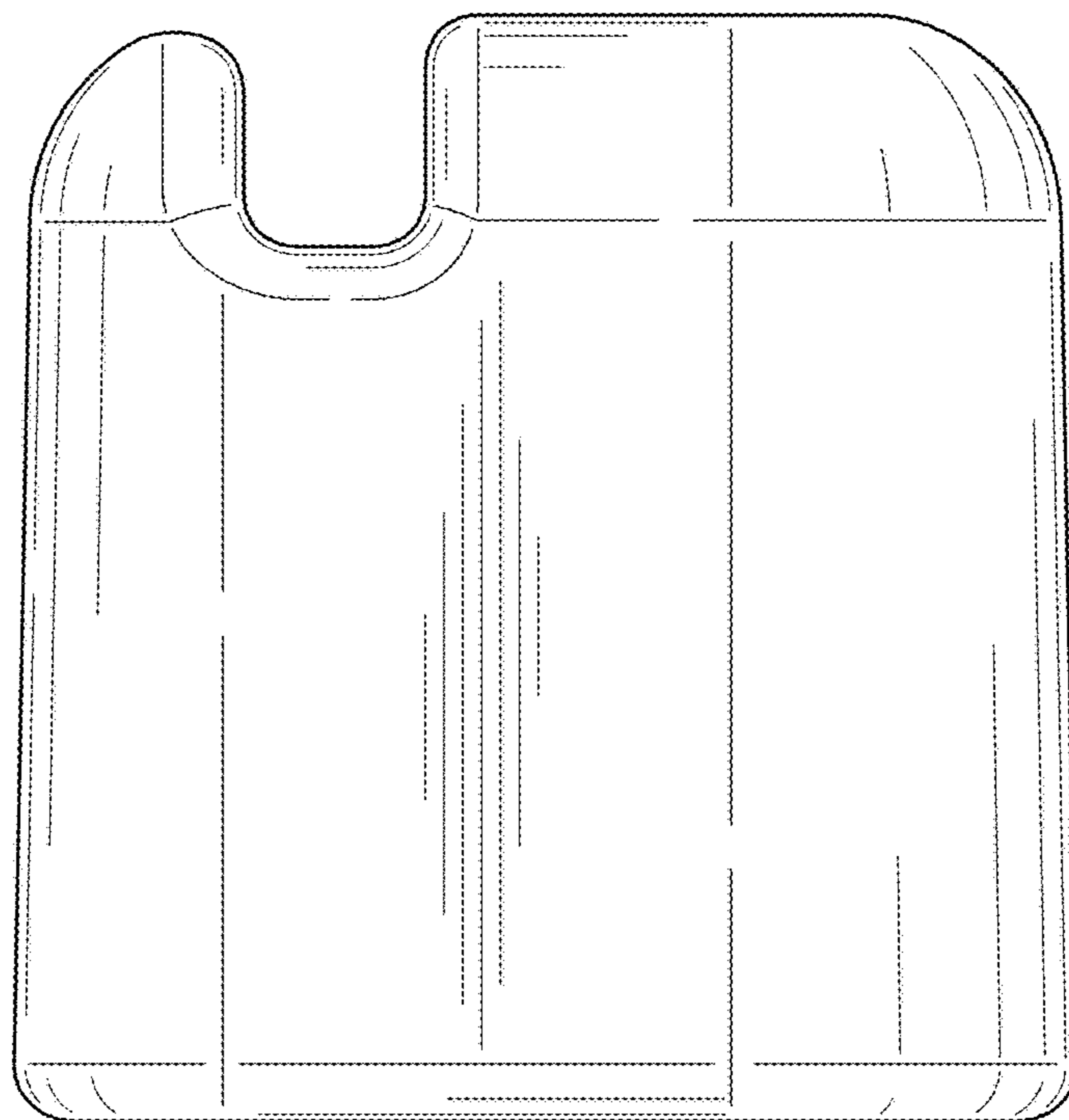


FIG. 4

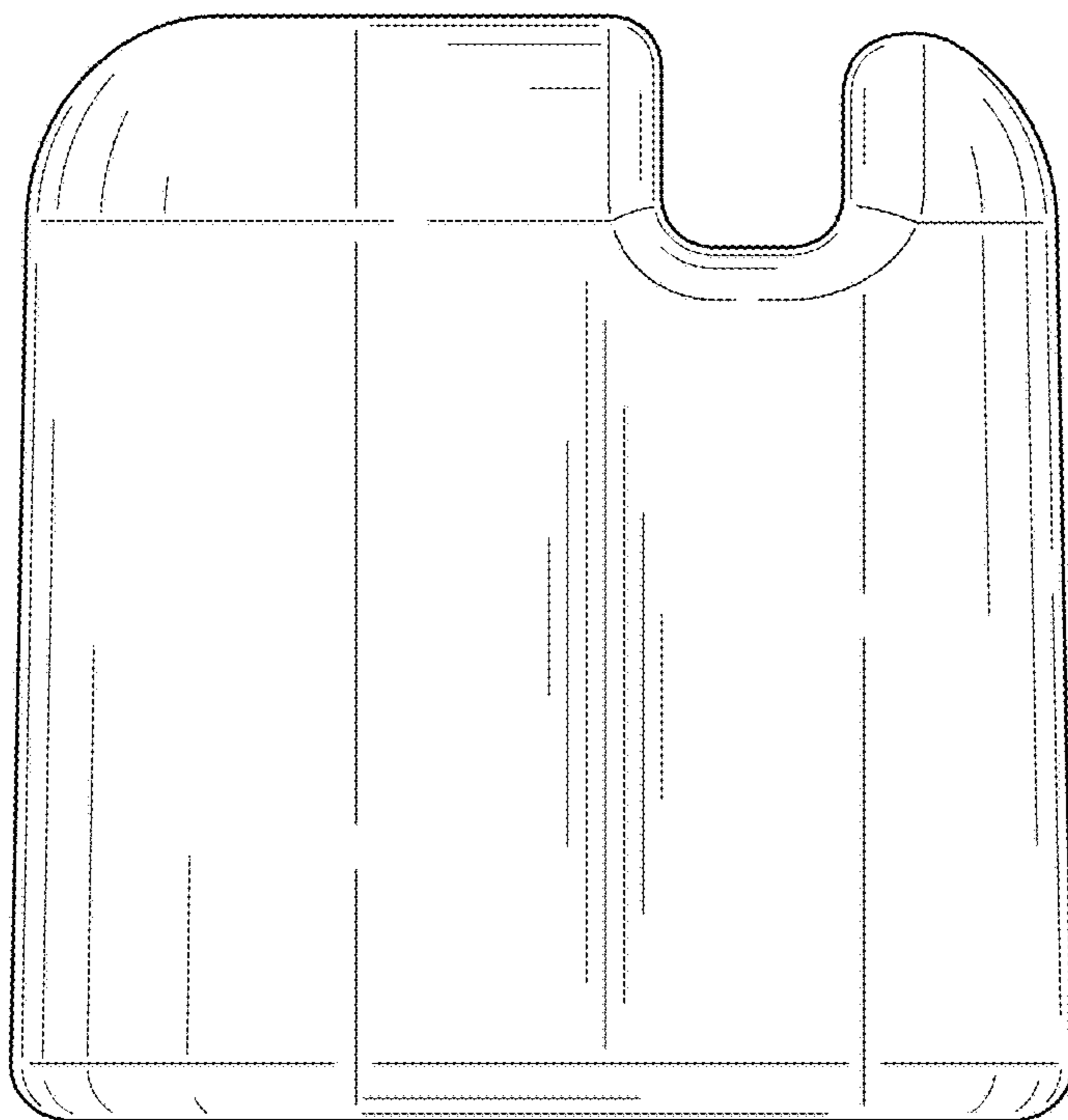


FIG. 5

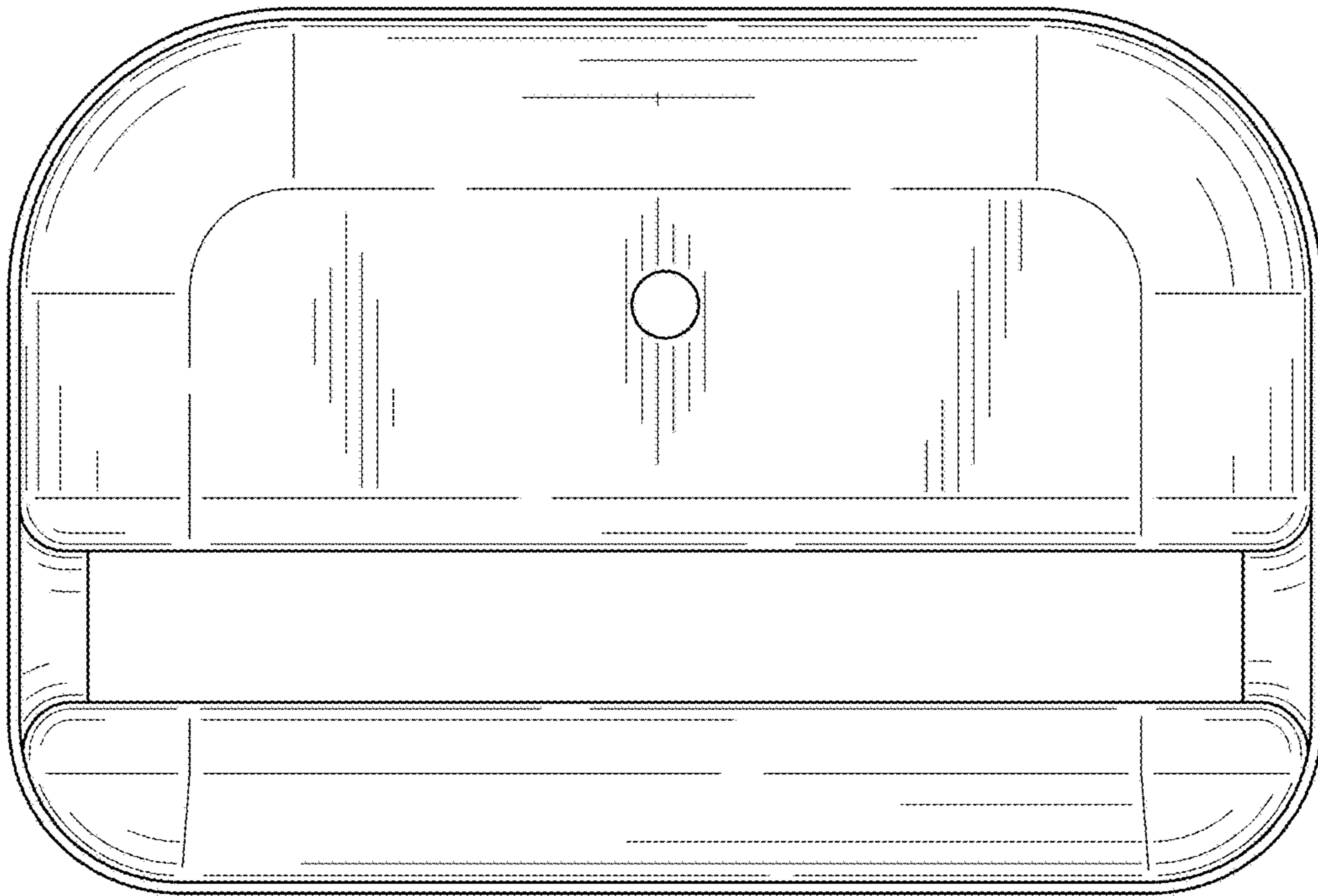


FIG. 6

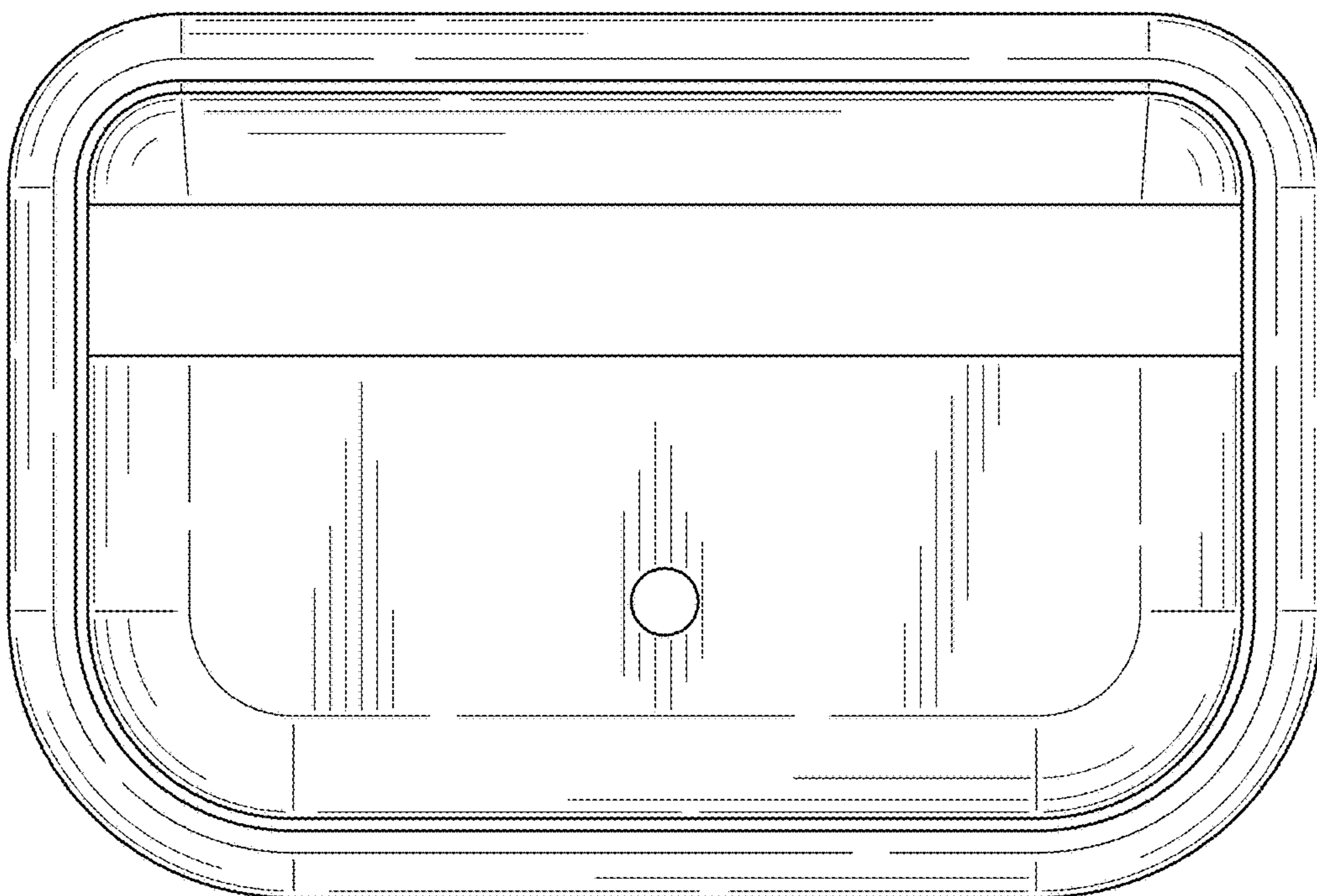


FIG. 7

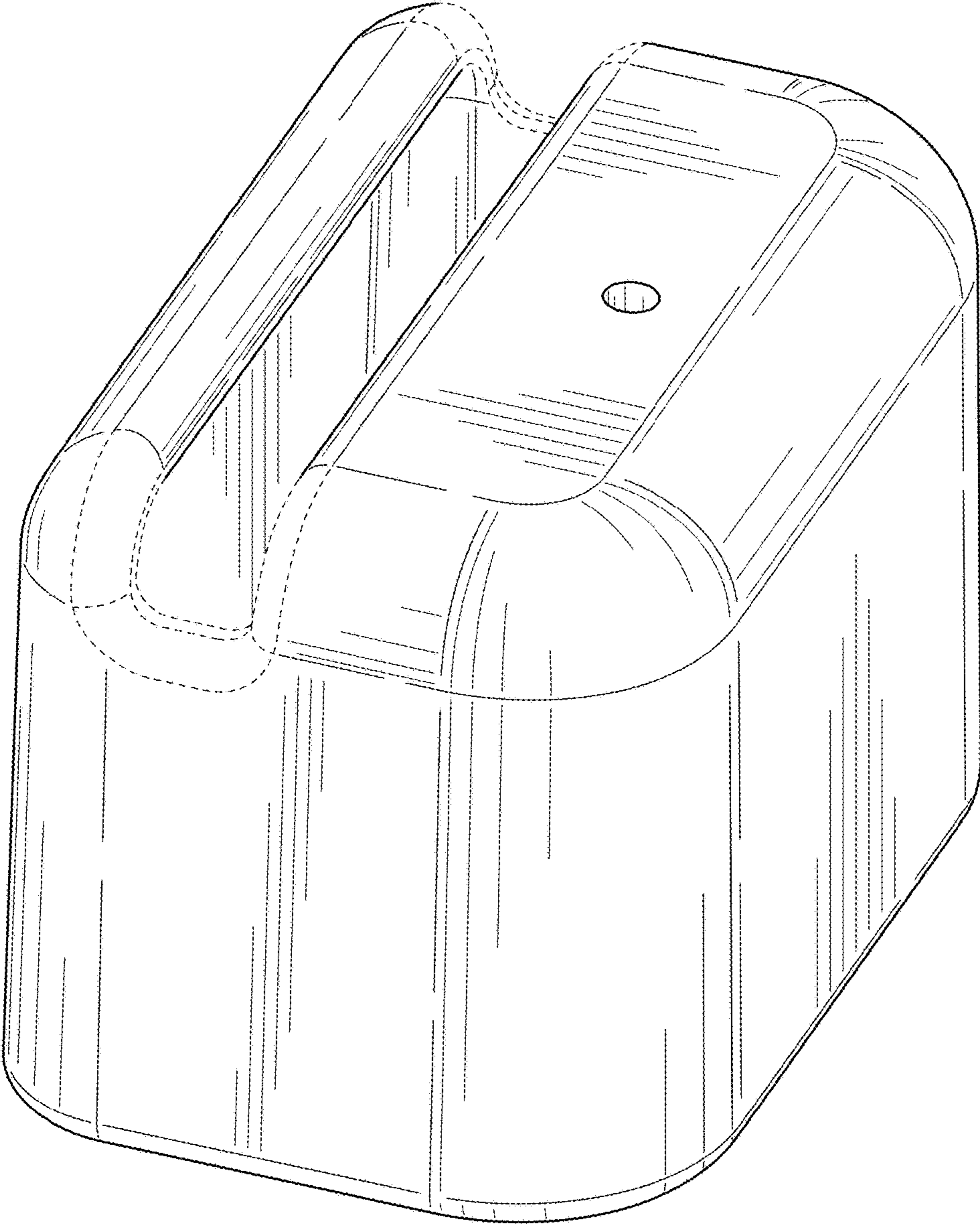


FIG. 8

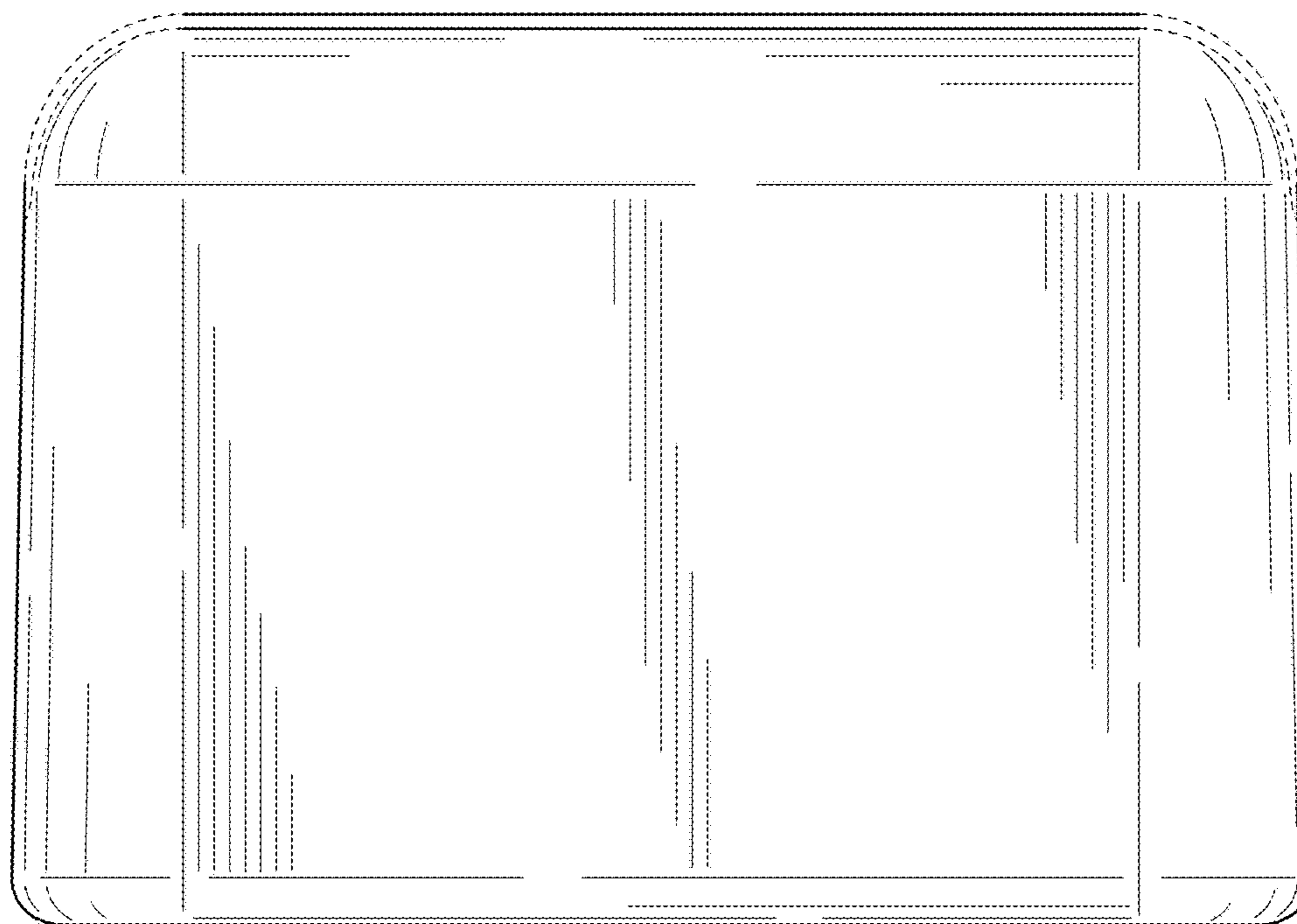


FIG. 9

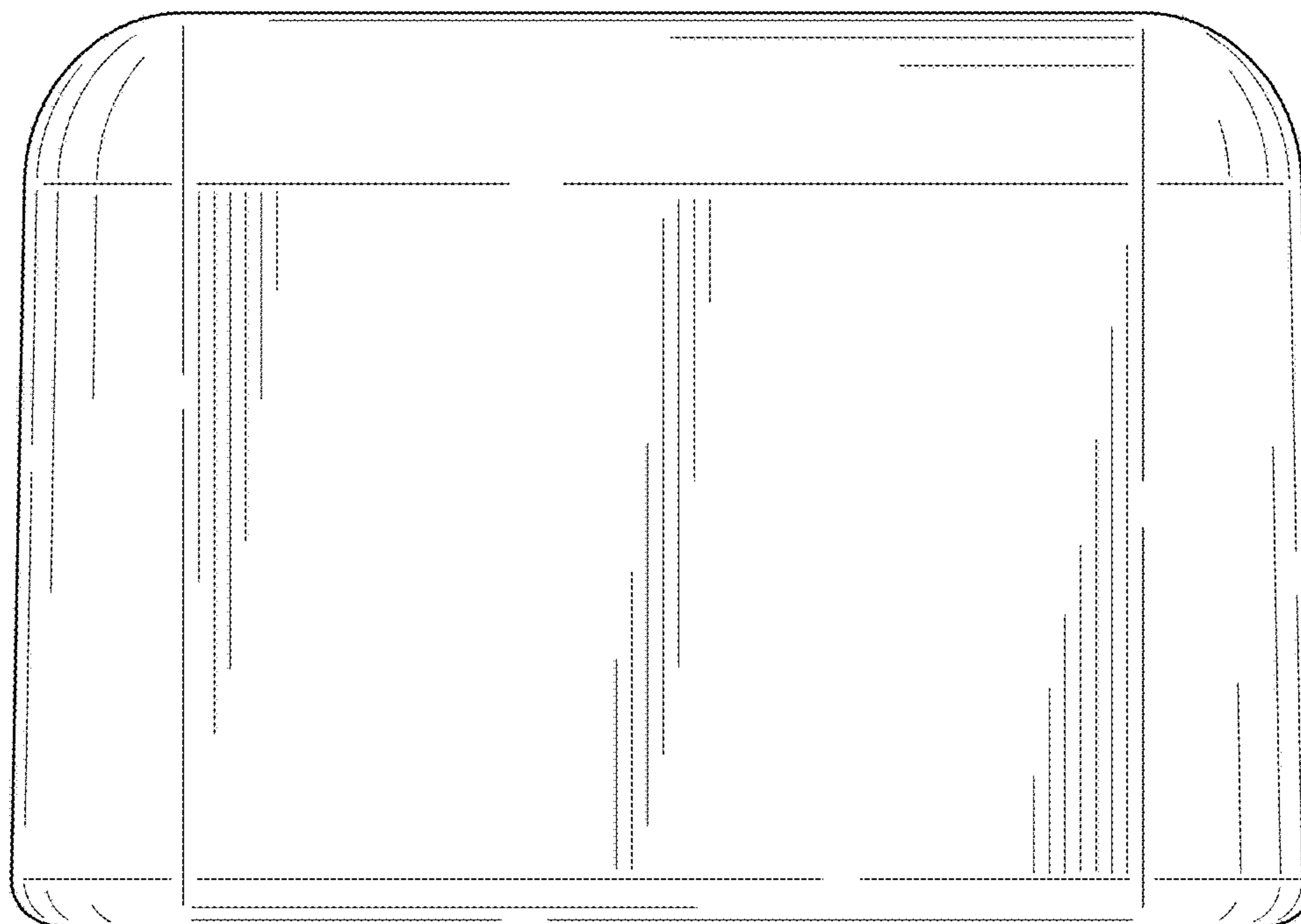


FIG. 10

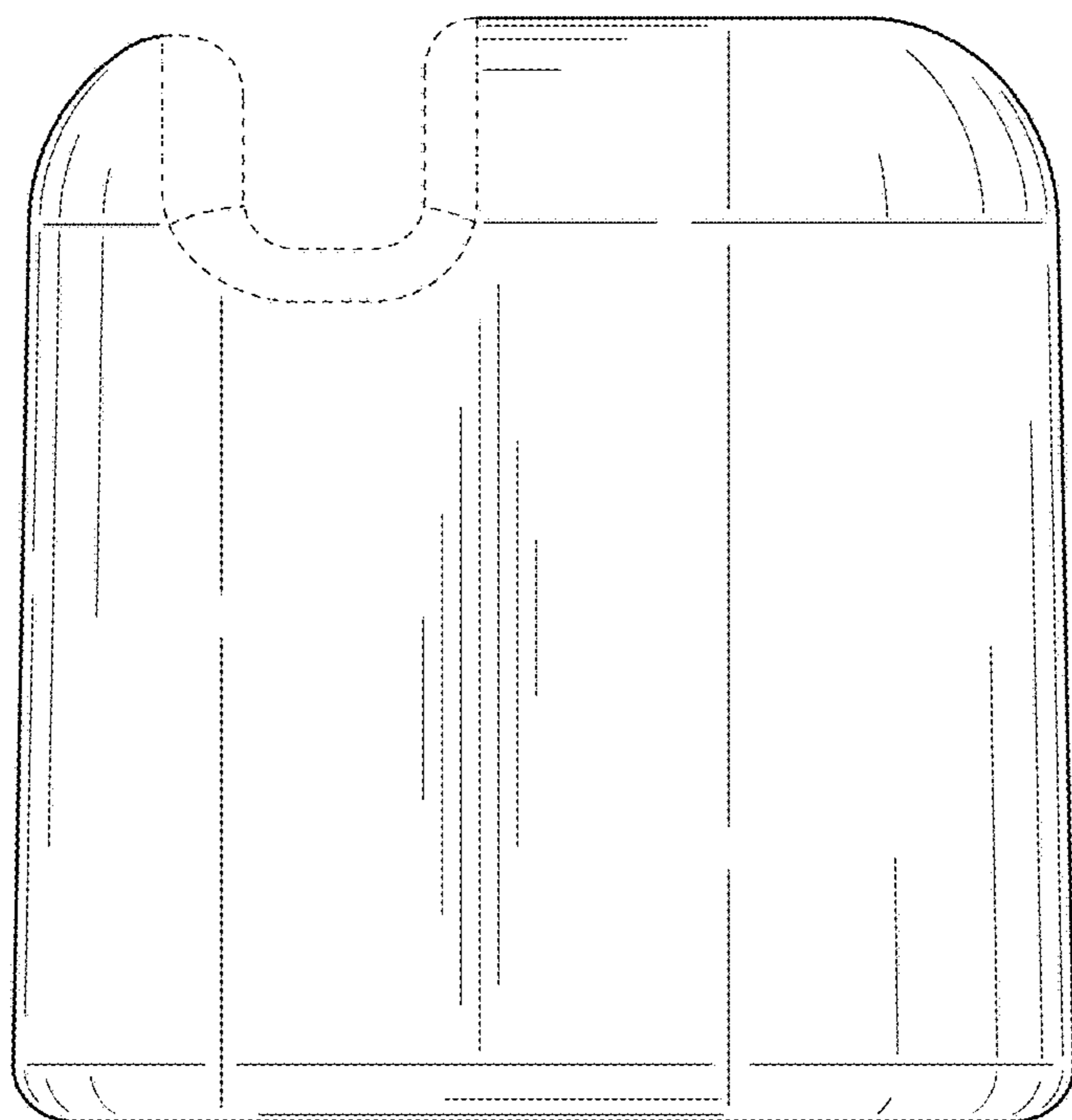


FIG. 11

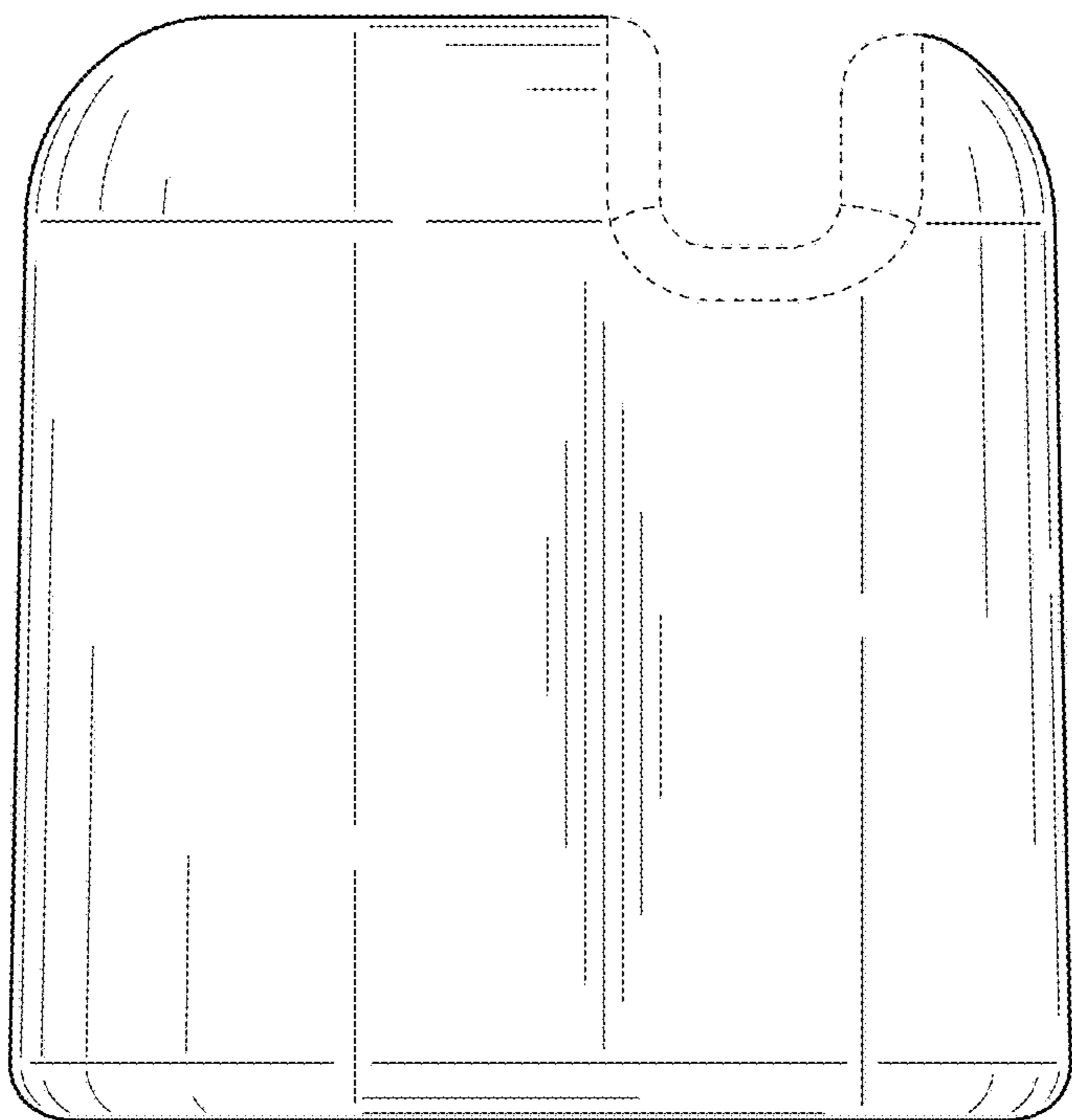


FIG. 12

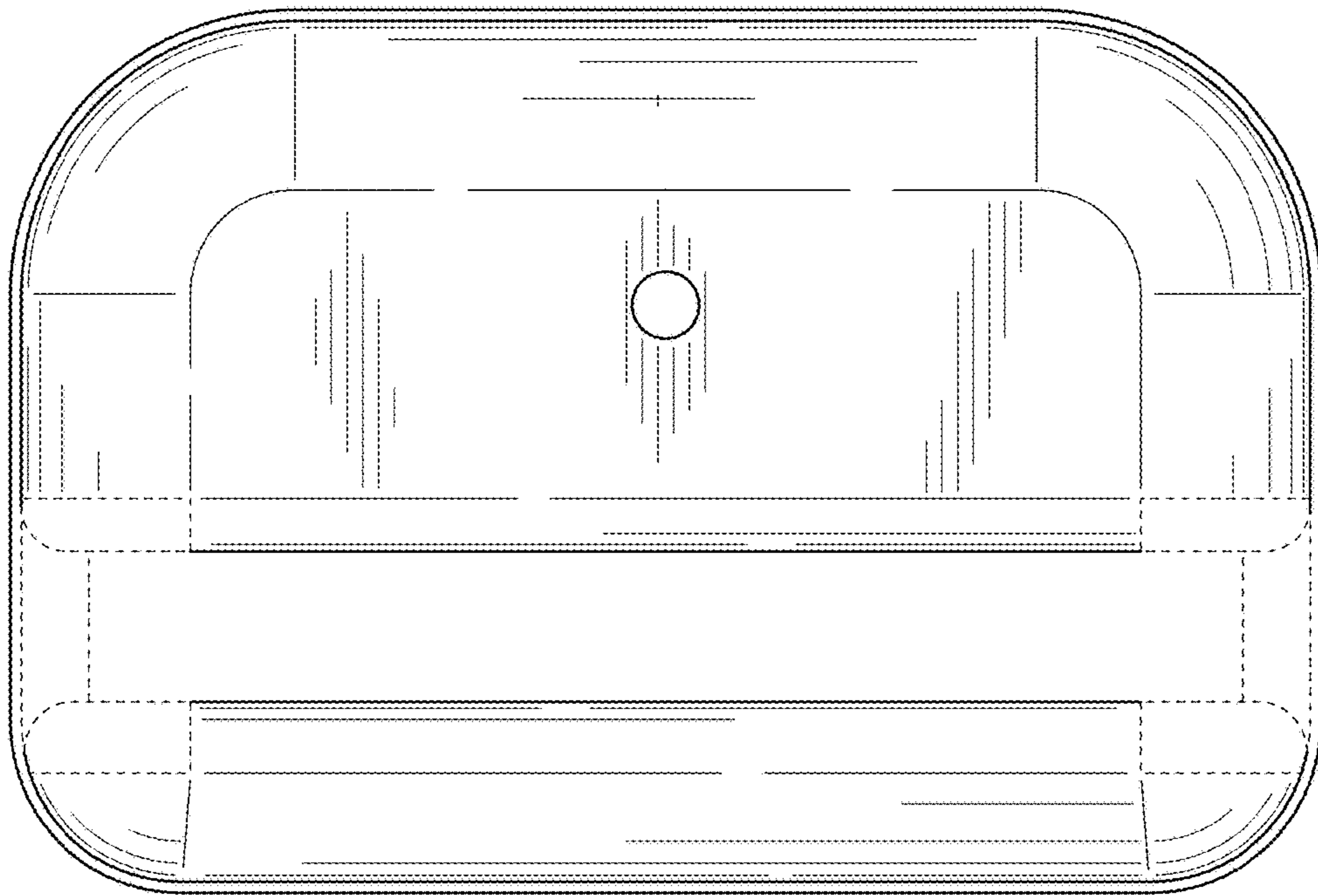


FIG. 13

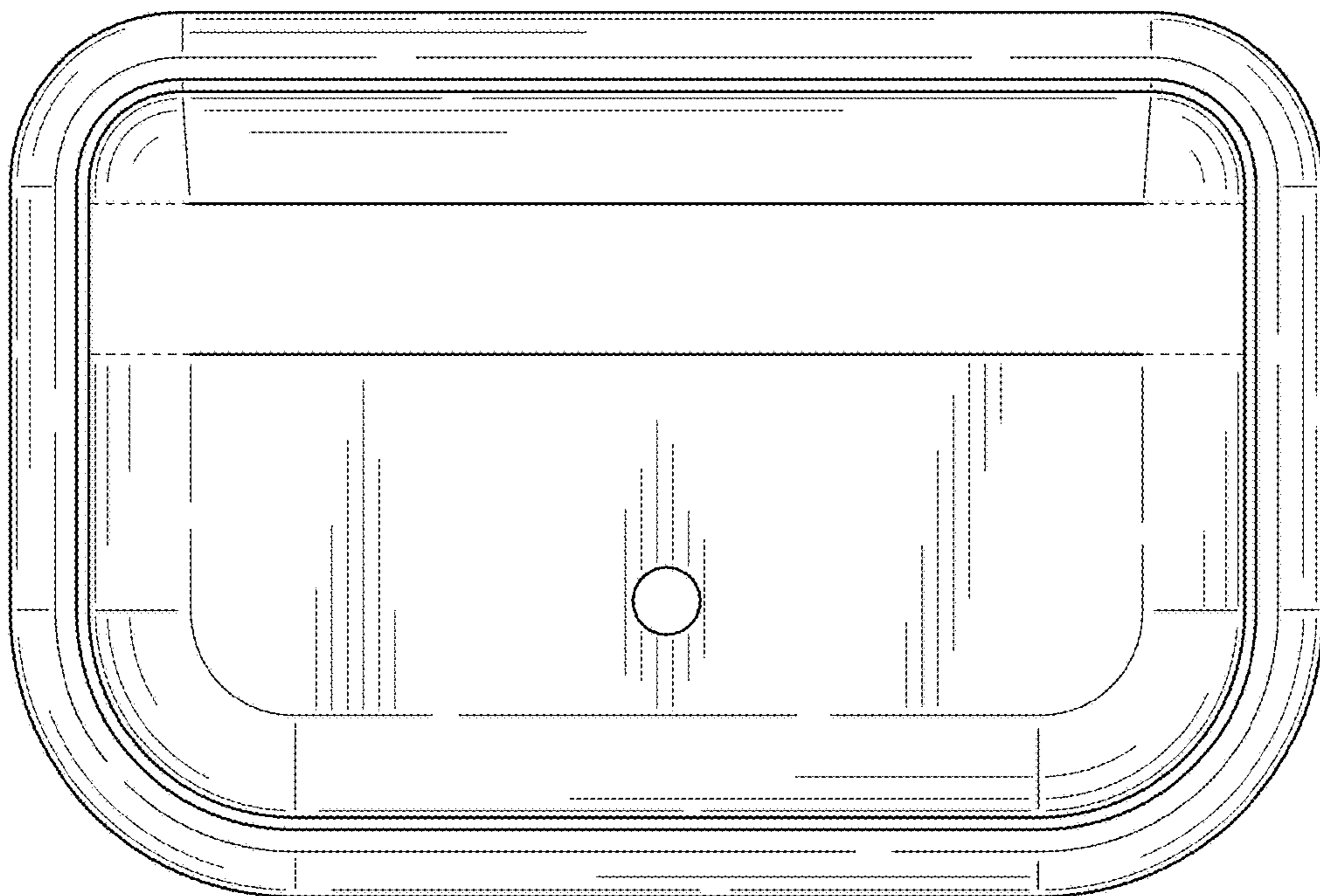


FIG. 14

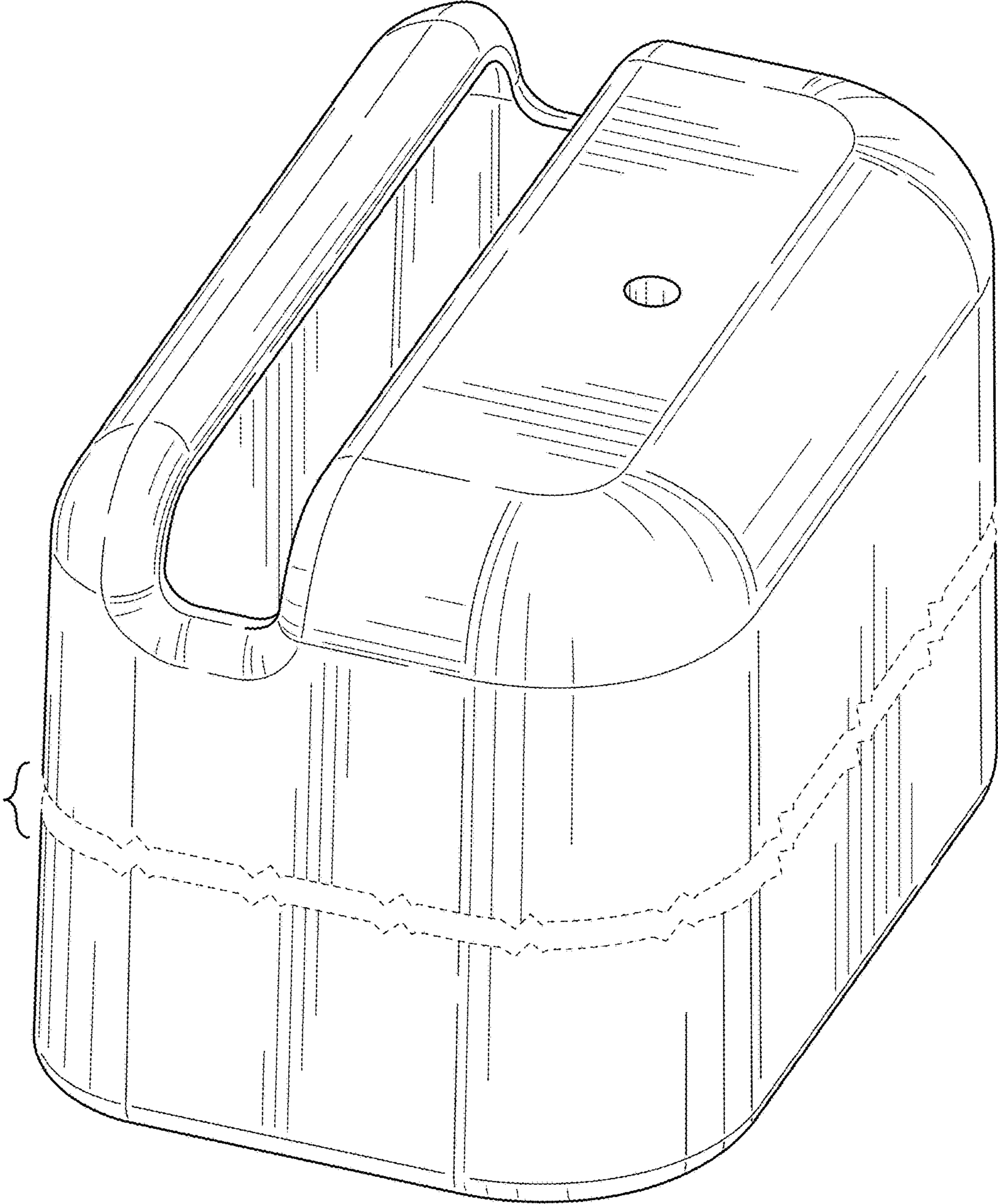


FIG. 15

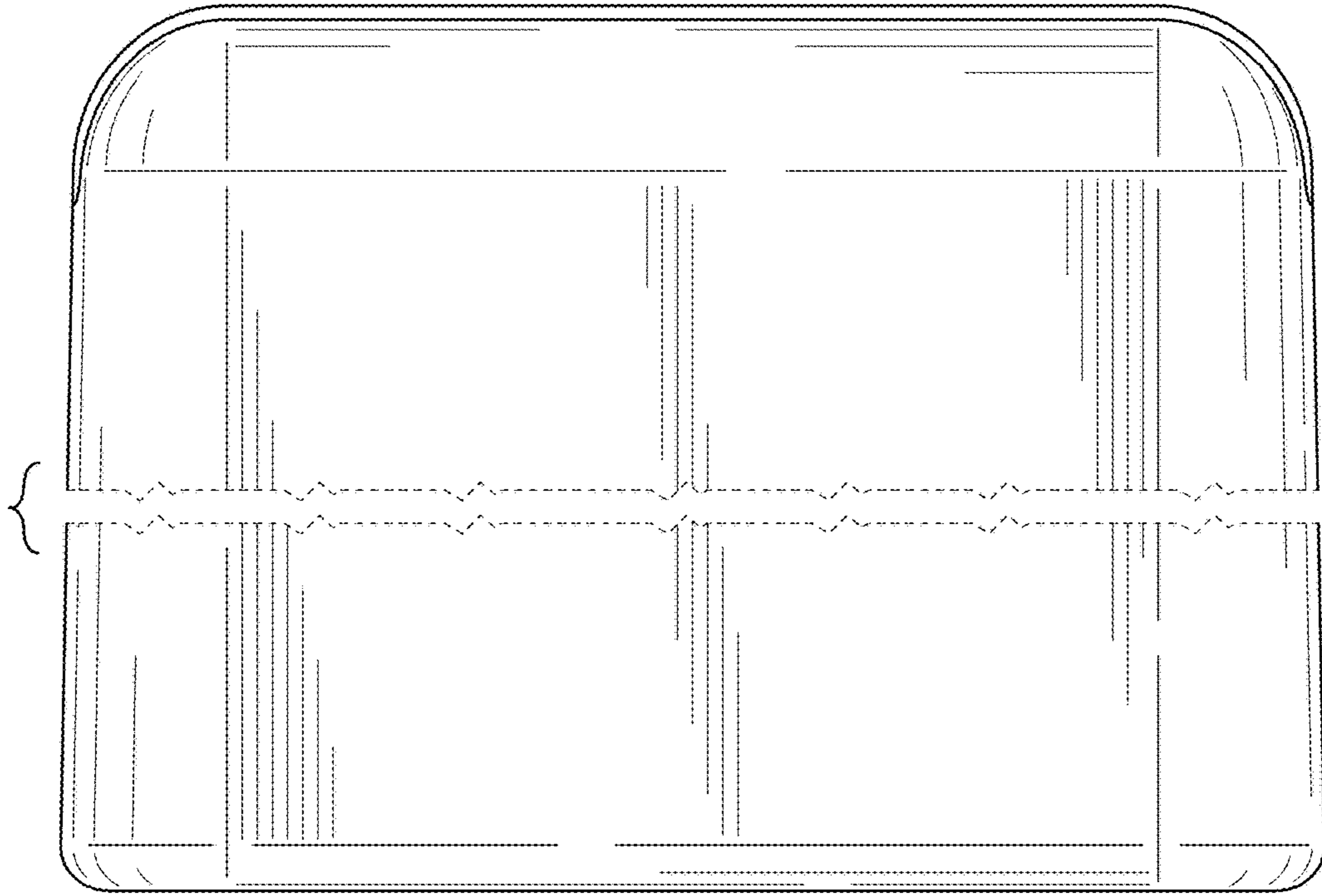


FIG. 16

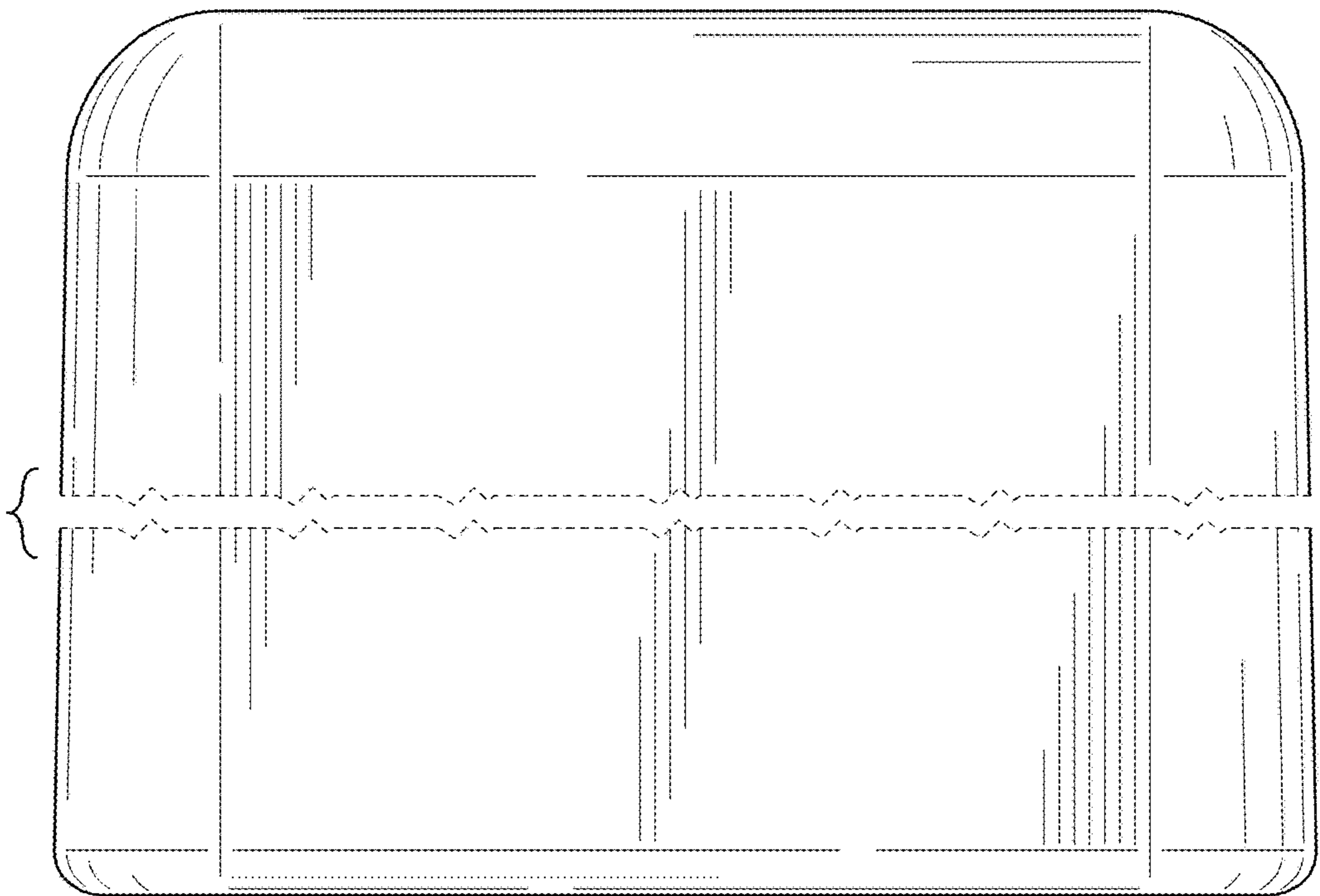


FIG. 17

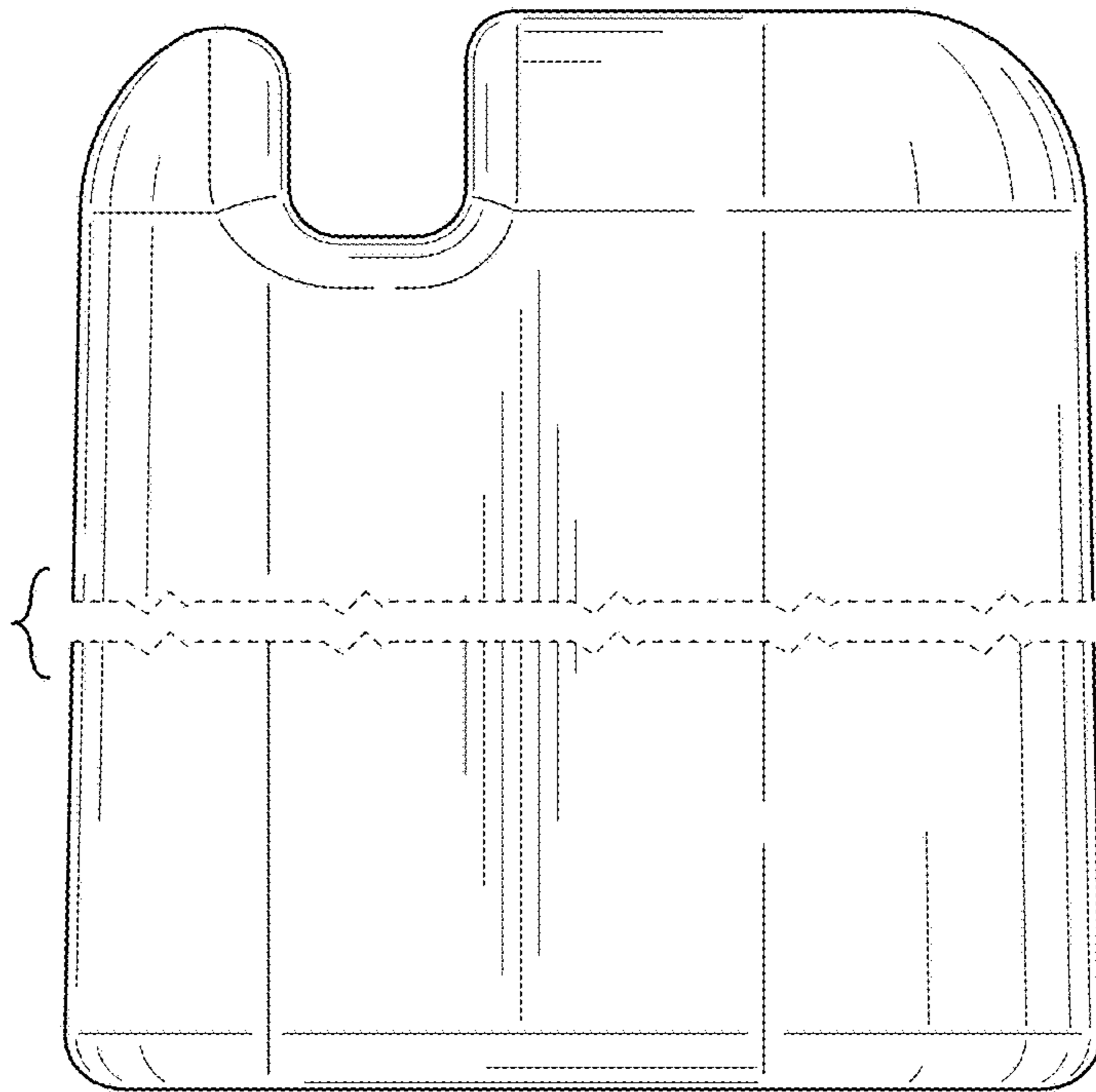


FIG. 18

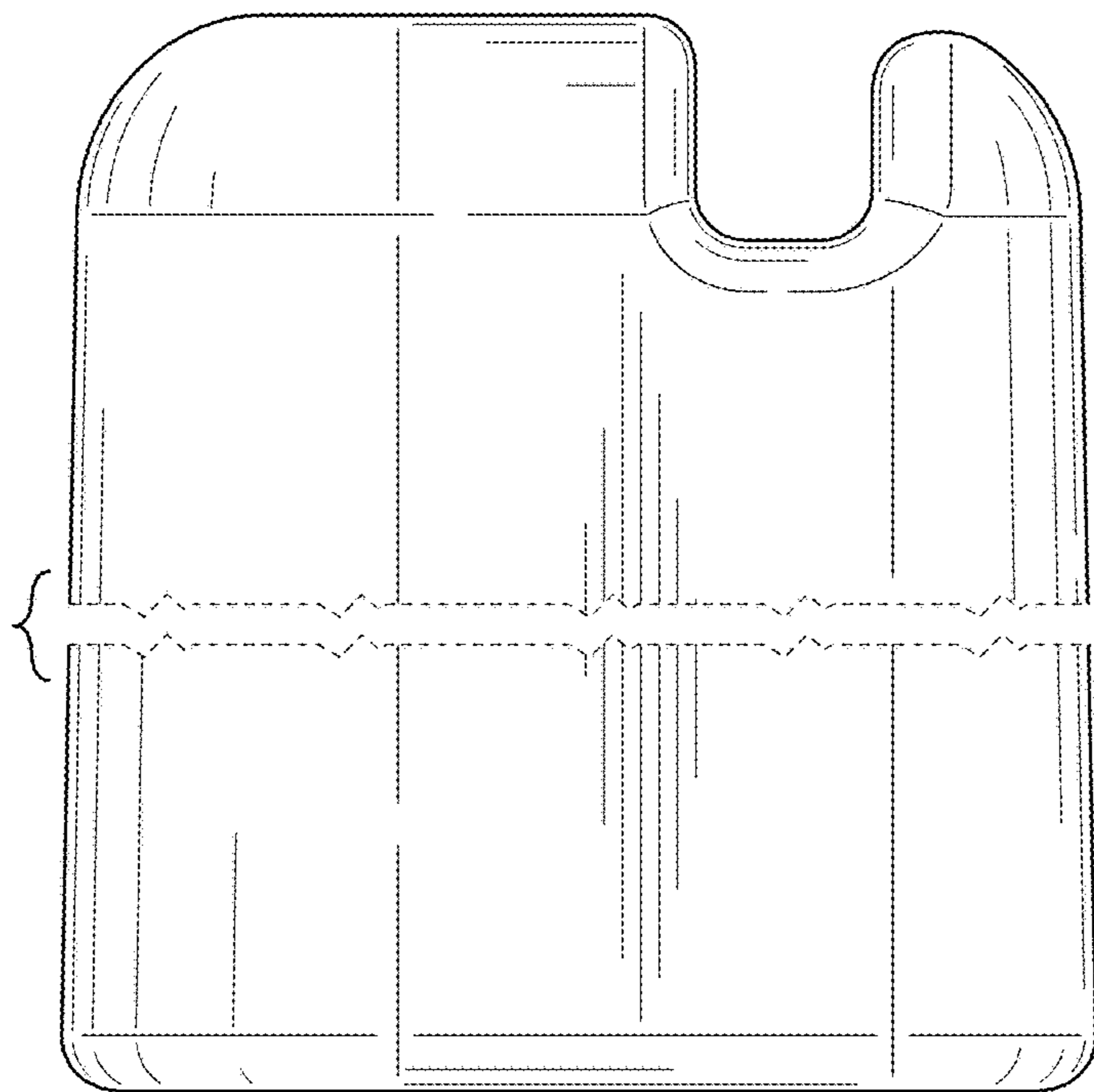


FIG. 19

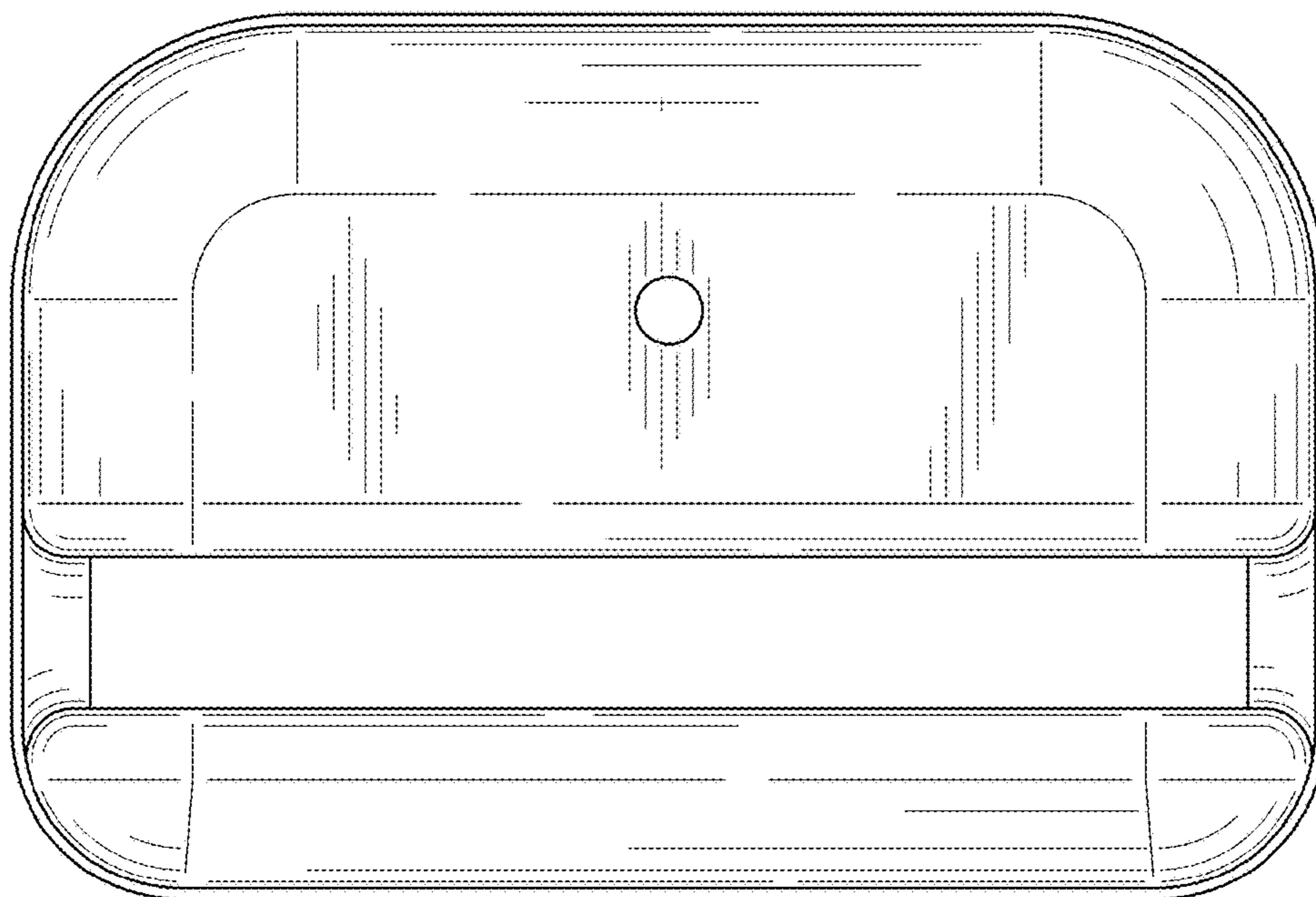


FIG. 20

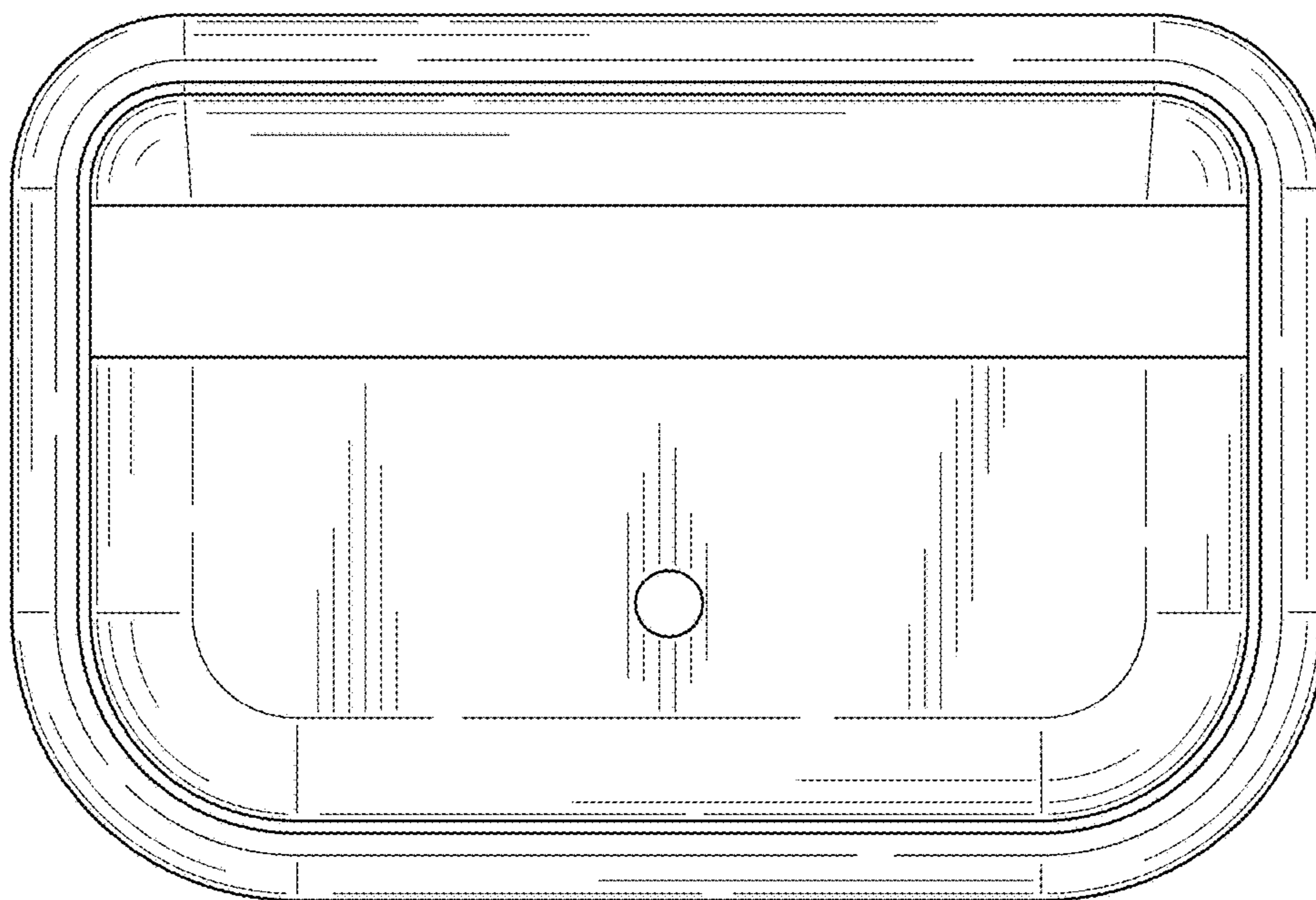


FIG. 21