



US00D866115S

(12) **United States Design Patent** (10) **Patent No.:** **US D866,115 S**
Fretz et al. (45) **Date of Patent:** **** Nov. 5, 2019**

(54) **WINCH**
(71) Applicant: **Warn Industries, Inc.**, Clackamas, OR (US)
(72) Inventors: **Darren G. Fretz**, Oregon City, OR (US); **Trey Durkee**, Oregon City, OR (US)
(73) Assignee: **WARN INDUSTRIES, INC.**, Clackamas, OR (US)
(**) Term: **15 Years**
(21) Appl. No.: **29/679,481**
(22) Filed: **Feb. 6, 2019**

D555,874 S * 11/2007 Elliott D34/33
D740,513 S * 10/2015 Fretz D34/33
D744,189 S * 11/2015 Fretz D34/33
D754,584 S * 4/2016 Fretz D12/213
D771,897 S * 11/2016 Aho D34/33
D776,395 S * 1/2017 Fretz D34/33
D799,143 S * 10/2017 Cui D34/33
D799,144 S * 10/2017 Cui D34/33
D799,779 S * 10/2017 Aho D34/33
D803,138 S * 11/2017 Fretz D12/213
D811,683 S * 2/2018 Frazier D34/33
D811,684 S * 2/2018 Fretz D34/33
D815,386 S * 4/2018 August D34/33
D816,937 S * 5/2018 Fretz D34/33
D816,938 S * 5/2018 Fretz D34/33
D849,352 S * 5/2019 Fretz D34/33
2016/0096709 A1 * 4/2016 Averill B66D 1/12
254/267
2018/0127246 A1 * 5/2018 Fretz B66D 1/12
2018/0170725 A1 * 6/2018 August B66D 1/14
(Continued)

Related U.S. Application Data

(62) Division of application No. 29/617,135, filed on Sep. 12, 2017, now Pat. No. Des. 849,352.
(51) **LOC (12) Cl.** **12-05**
(52) **U.S. Cl.**
USPC **D34/33**
(58) **Field of Classification Search**
USPC D34/32, 33
CPC ... B66D 1/14; B66D 1/38; B66D 1/28; B66D 1/04; B66D 1/22; B66D 1/39; B66D 1/7405; B66D 1/00; B66D 1/08; B66D 1/26; B66D 1/36; B66D 1/505; B66D 1/7484
See application file for complete search history.

Primary Examiner — Cynthia Ramirez
(74) *Attorney, Agent, or Firm* — K&L Gates LLP

(57) **CLAIM**

The ornamental design for a winch, as shown and described.

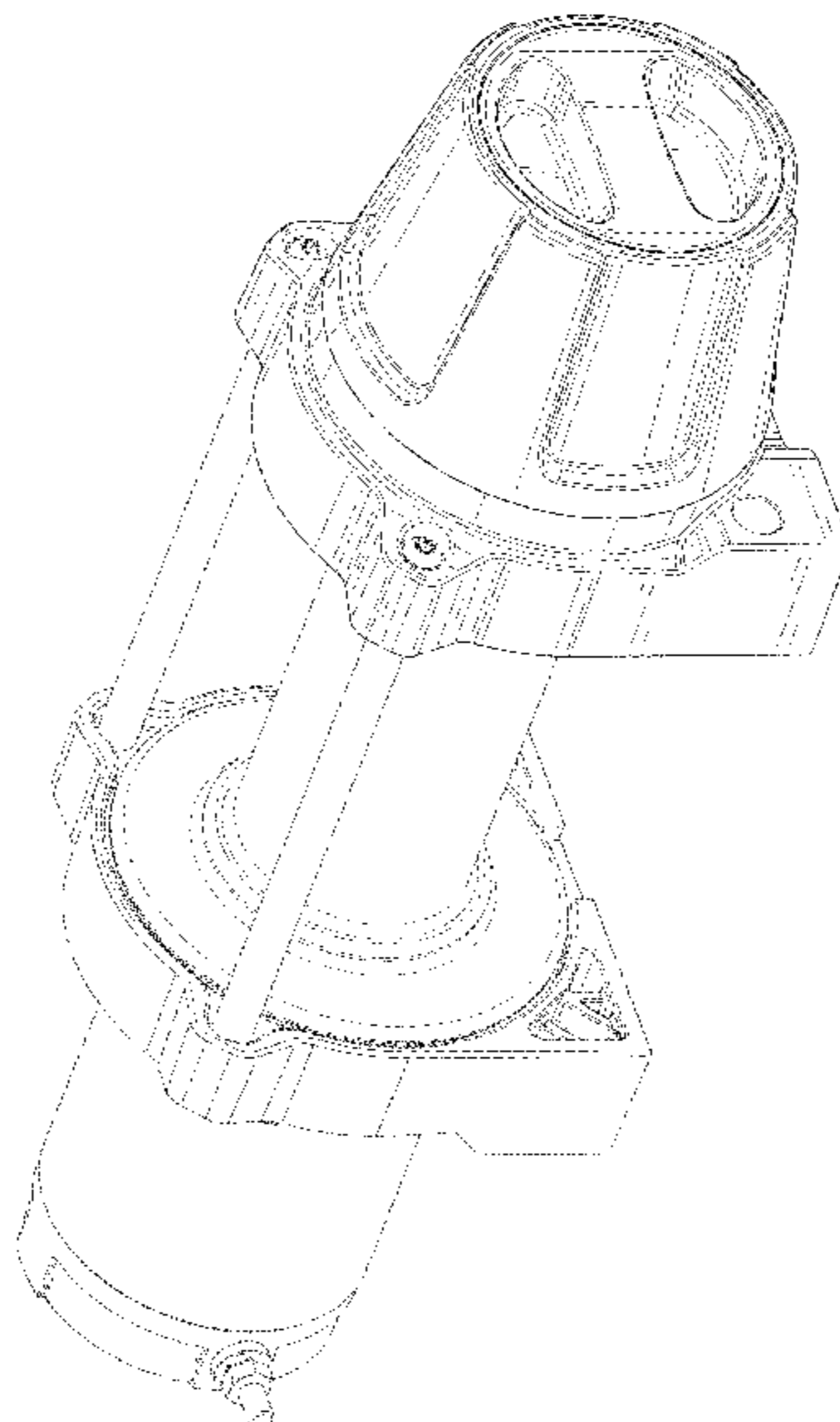
DESCRIPTION

FIG. 1 is a front perspective view of a winch showing our new design.
FIG. 2 is a front view of the winch of FIG. 1.
FIG. 3 is a back view of the winch of FIG. 1.
FIG. 4 is a left side view of the winch of FIG. 1.
FIG. 5 is a right side view of the winch of FIG. 1.
FIG. 6 is a top view of the winch of FIG. 1; and,
FIG. 7 is a bottom view of the winch of FIG. 1.
The broken lines in FIGS. 1-7 are included for the purpose of illustrating environmental structure and form no part of the claimed design.

(56) **References Cited**
U.S. PATENT DOCUMENTS

D489,157 S * 4/2004 Lawson D34/33
D513,650 S * 1/2006 Elliott D34/33
D550,923 S * 9/2007 Huang D34/33
D550,924 S * 9/2007 Huang D34/33

1 Claim, 6 Drawing Sheets



(56)

References Cited

U.S. PATENT DOCUMENTS

2018/0201486 A1* 7/2018 Huang B66D 1/14
2018/0201488 A1* 7/2018 Zheng B66D 1/28

* cited by examiner

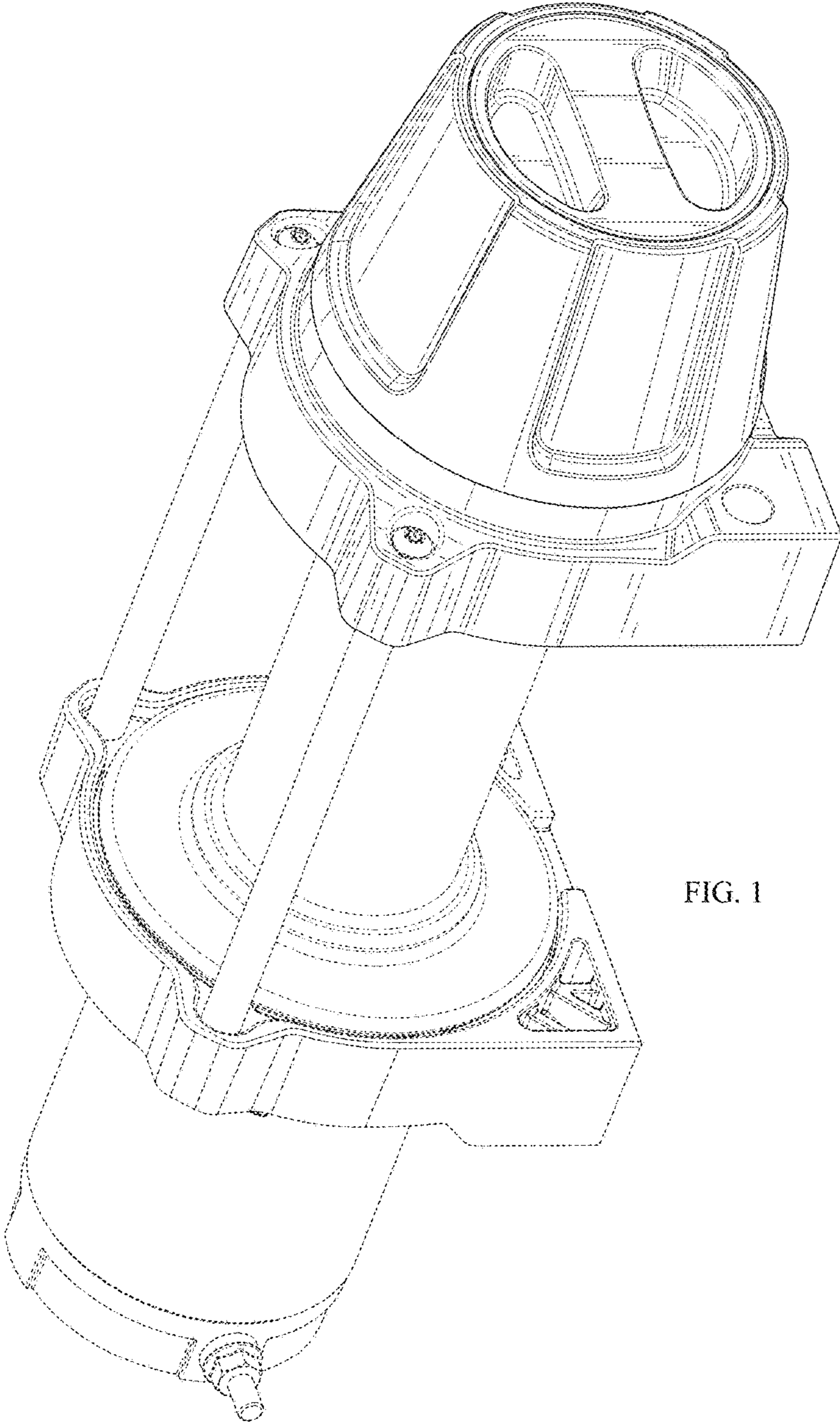


FIG. 1

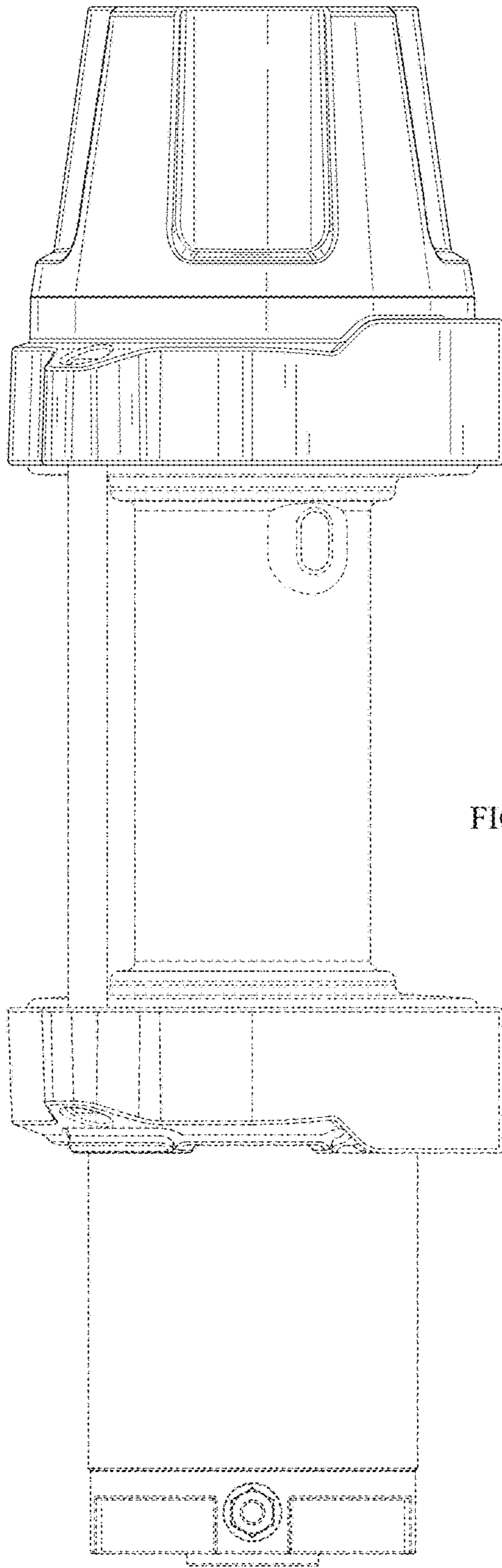


FIG. 2

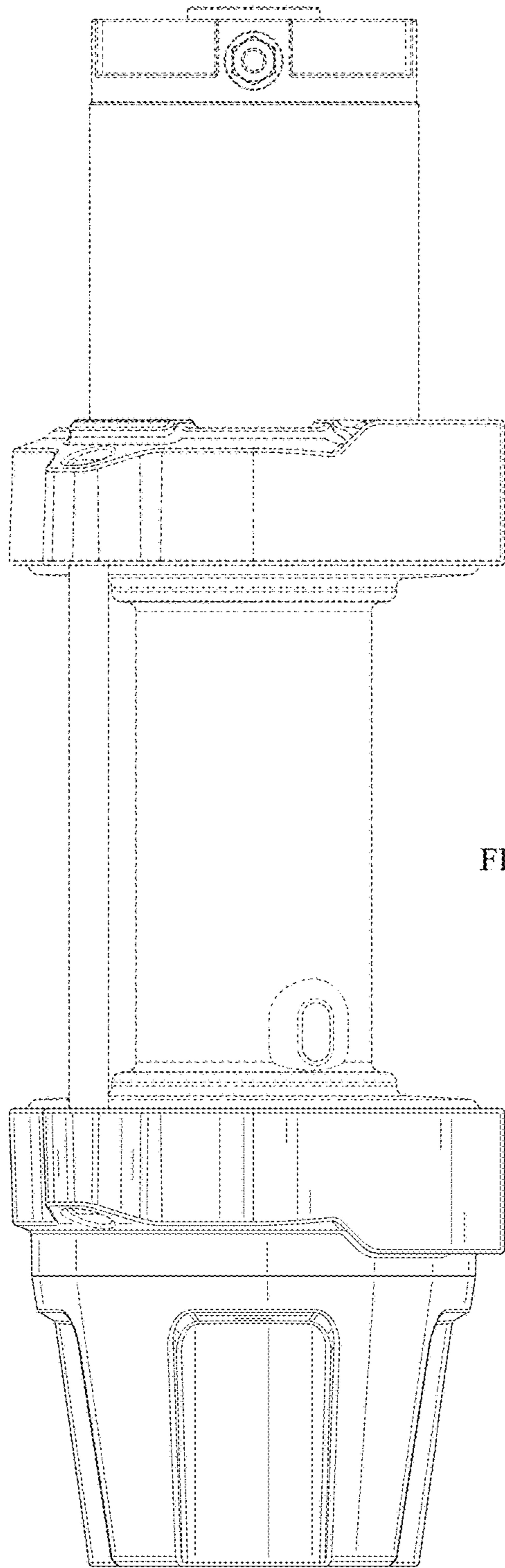


FIG. 3

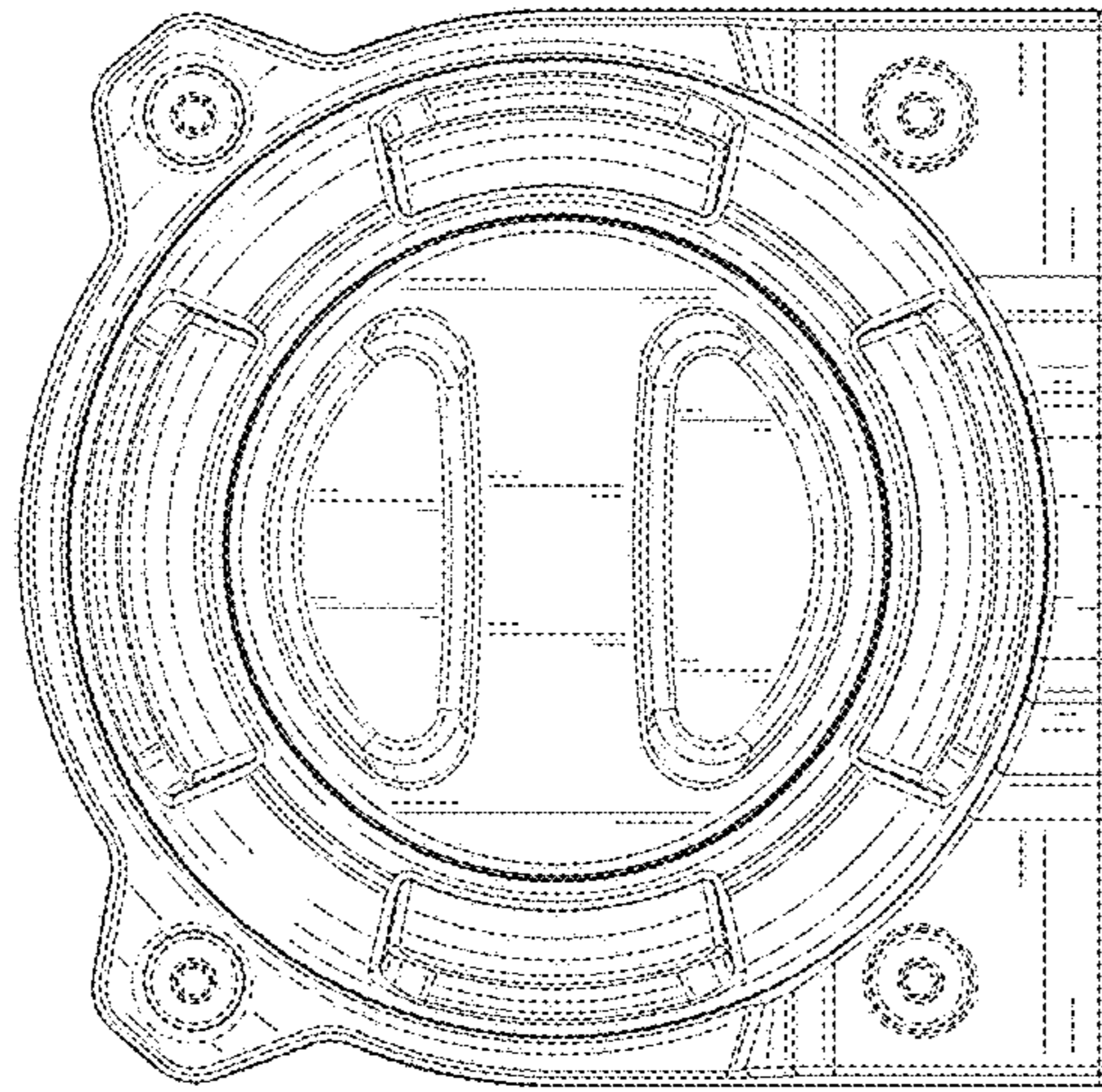


FIG. 5

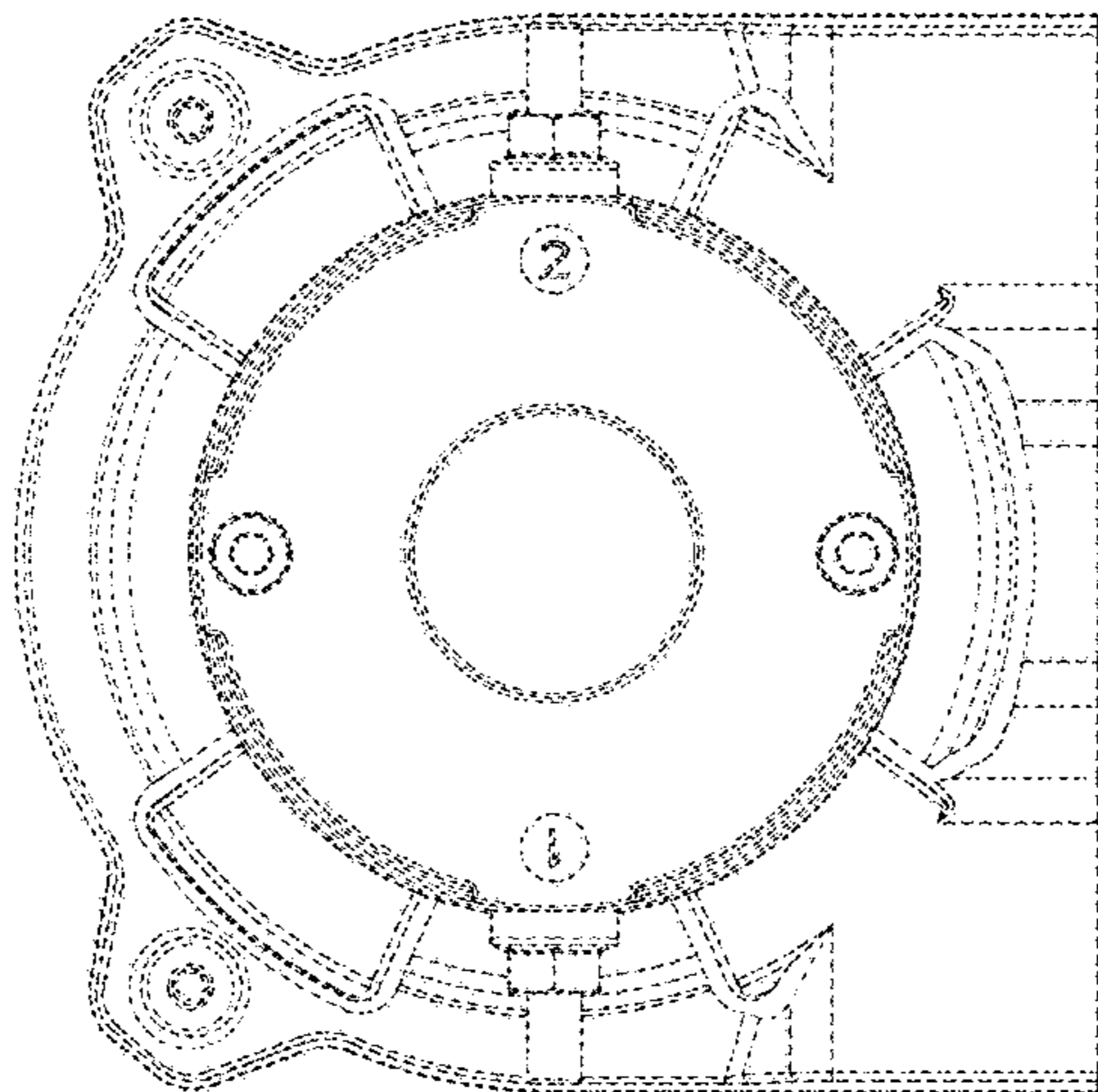


FIG. 4

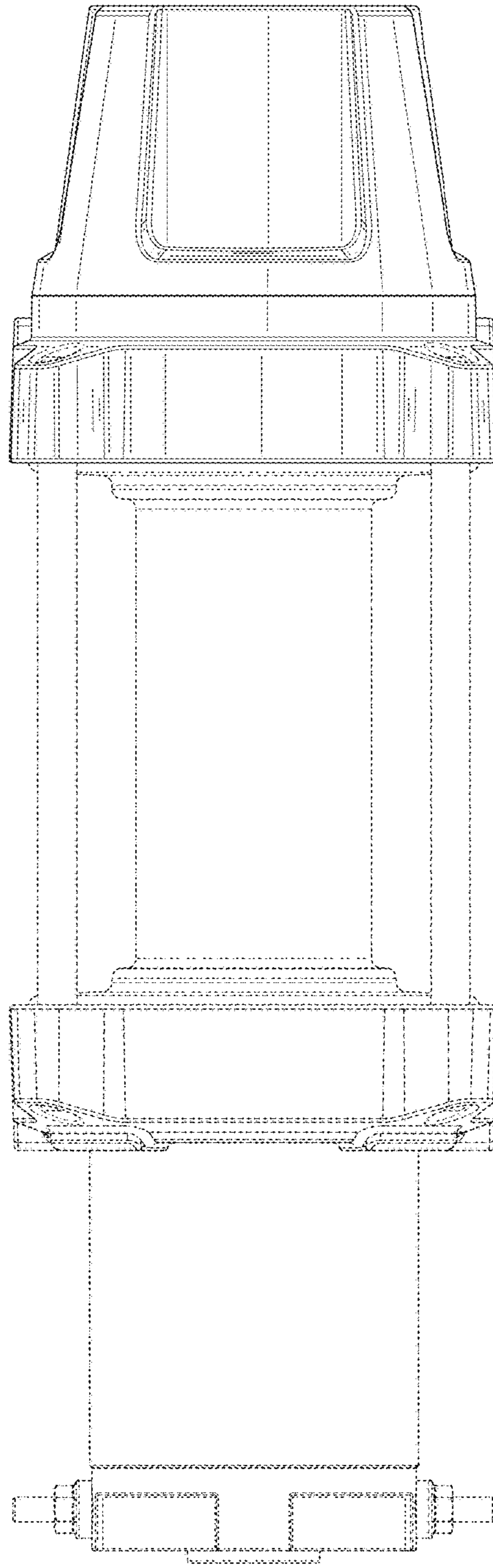


FIG. 6

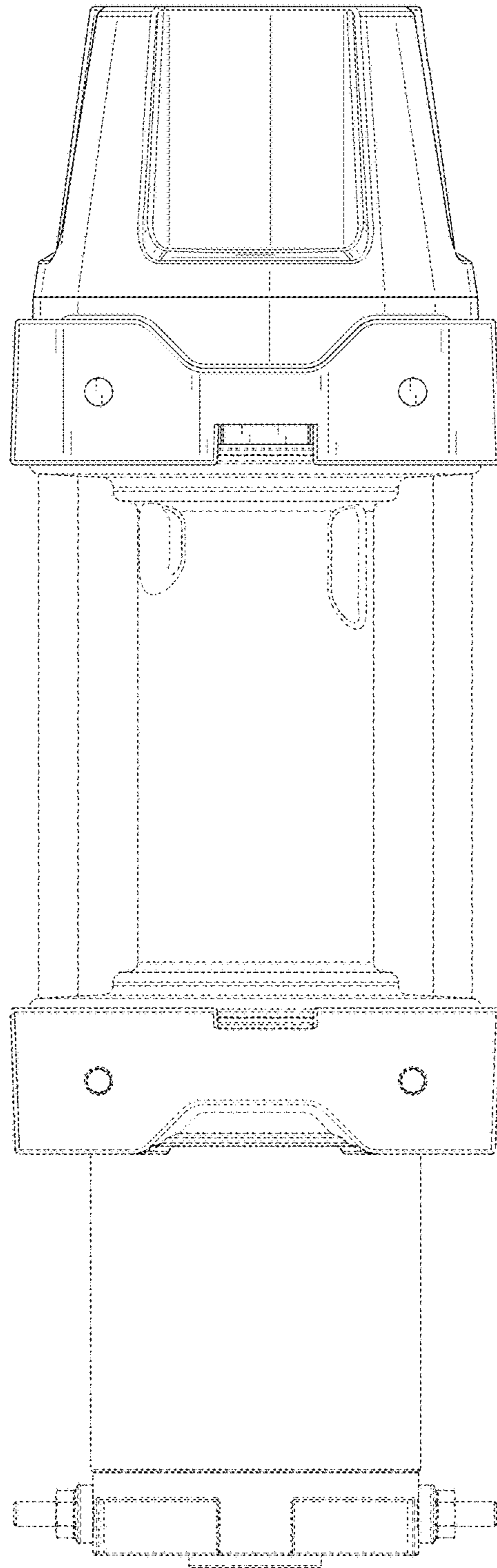


FIG. 7