

US00D866113S

(12) **United States Design Patent** (10) **Patent No.:** **US D866,113 S**  
**Andersen** (45) **Date of Patent:** **\*\* Nov. 5, 2019**

(54) **SPROCKET FOR CONVEYOR BELTS** D750,676 S \* 3/2016 Brown ..... B65G 39/02  
D15/148  
(71) Applicant: **AMMERAAL BELTECH** 9,415,943 B2 \* 8/2016 Carrara ..... B65G 39/02  
**MODULAR A/S, Vejle (DK)** D817,371 S \* 5/2018 Karol ..... B65G 23/06  
D15/148  
(72) Inventor: **Kenneth Westergaard Andersen,** D824,972 S \* 8/2018 Karol ..... B65G 23/06  
**Kolding (DK)** 10,077,157 B2 \* 9/2018 Soderstrom ..... B65G 23/06  
D15/148

(\*\*) Term: **15 Years**

(21) Appl. No.: **35/505,824**

(22) Filed: **Sep. 20, 2018**

(80) **Hague Agreement Data**

Int. Filing Date: **Sep. 20, 2018**  
Int. Reg. No.: **DM/102917**  
Int. Reg. Date: **Sep. 20, 2018**  
Int. Reg. Pub. Date: **Oct. 5, 2018**

(51) **LOC (12) Cl.** ..... **12-05**

(52) **U.S. Cl.**  
USPC ..... **D34/29; D12/123**

(58) **Field of Classification Search**  
USPC ..... **D34/28, 29; D8/354; D12/123;**  
**D15/148**

CPC ..... **B65G 23/06; B65G 23/16; B65G 2207/30**  
See application file for complete search history.

(56) **References Cited**

**U.S. PATENT DOCUMENTS**

D262,372 S \* 12/1981 Mitchell ..... 198/318  
D286,932 S \* 11/1986 Bode ..... D34/29  
D426,692 S \* 6/2000 Swanink ..... D34/29  
D439,721 S \* 3/2001 Swanink ..... D34/29  
8,042,682 B2 \* 10/2011 Ertel ..... B65G 23/06  
198/834  
D658,843 S \* 5/2012 Wedemeyer ..... D34/35  
8,424,676 B2 \* 4/2013 Jones ..... B65G 23/06  
198/834  
8,997,975 B2 \* 4/2015 Lucchi ..... B65G 23/06  
198/834  
9,115,802 B2 \* 8/2015 Guldenfels ..... B08B 3/02

**OTHER PUBLICATIONS**

www.whattheythink.com: Time and Cost-Cutting Innovation from Ammeraal Beltech . . . Oct. 9, 2018; 2 pages. Found online Jul. 11, 2019 at <https://www.airport-suppliers.com/supplier-press-release/time-and-cost-cutting-innovation-from-ammeraal-beltech-uni-ultrafit-two-part-sprocket-system> (Year: 2018).\*

\* cited by examiner

*Primary Examiner* — Robert M. Spear

(57) **CLAIM**

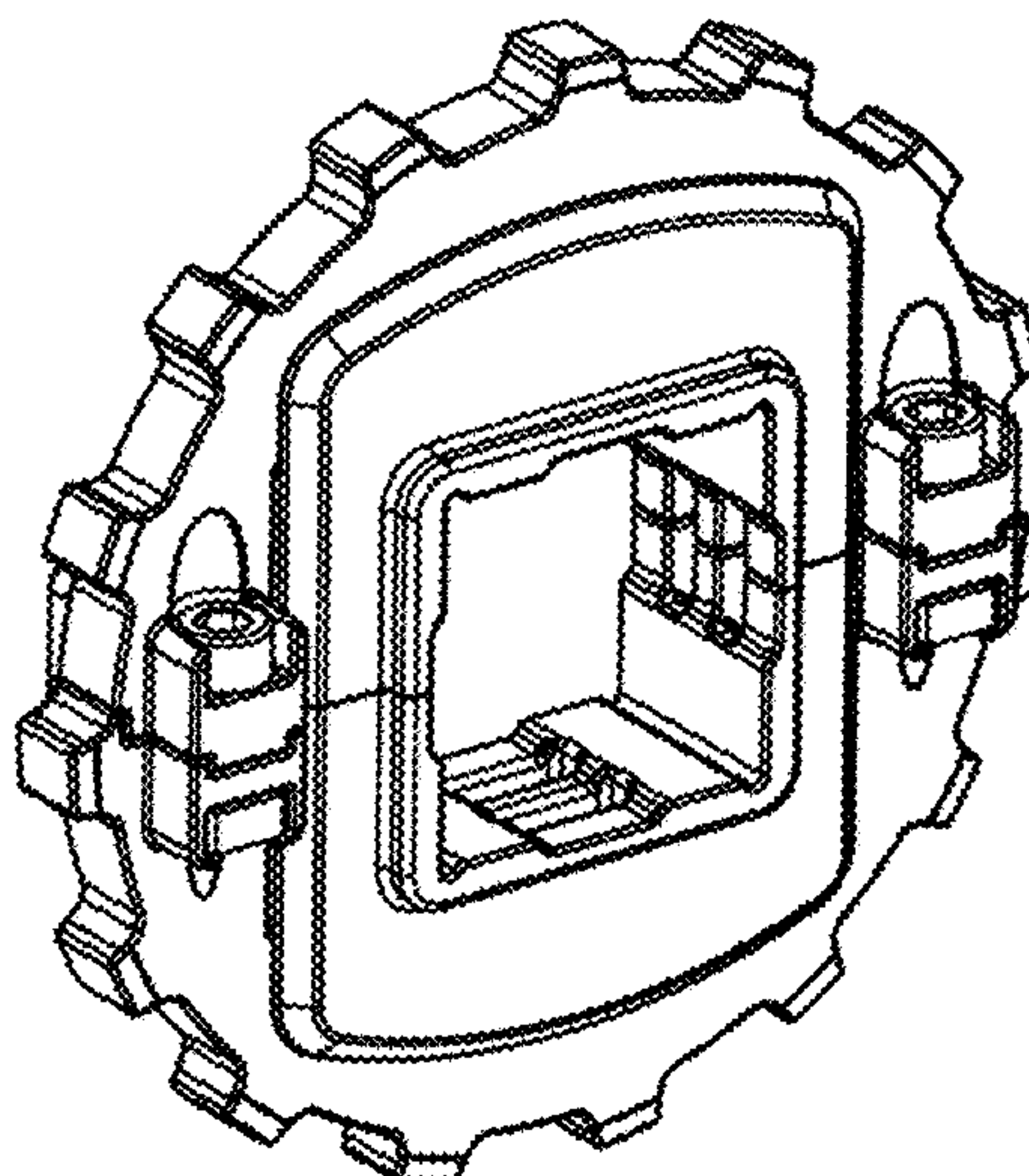
The ornamental design for a sprocket for conveyor belts, as shown and described.

**DESCRIPTION**

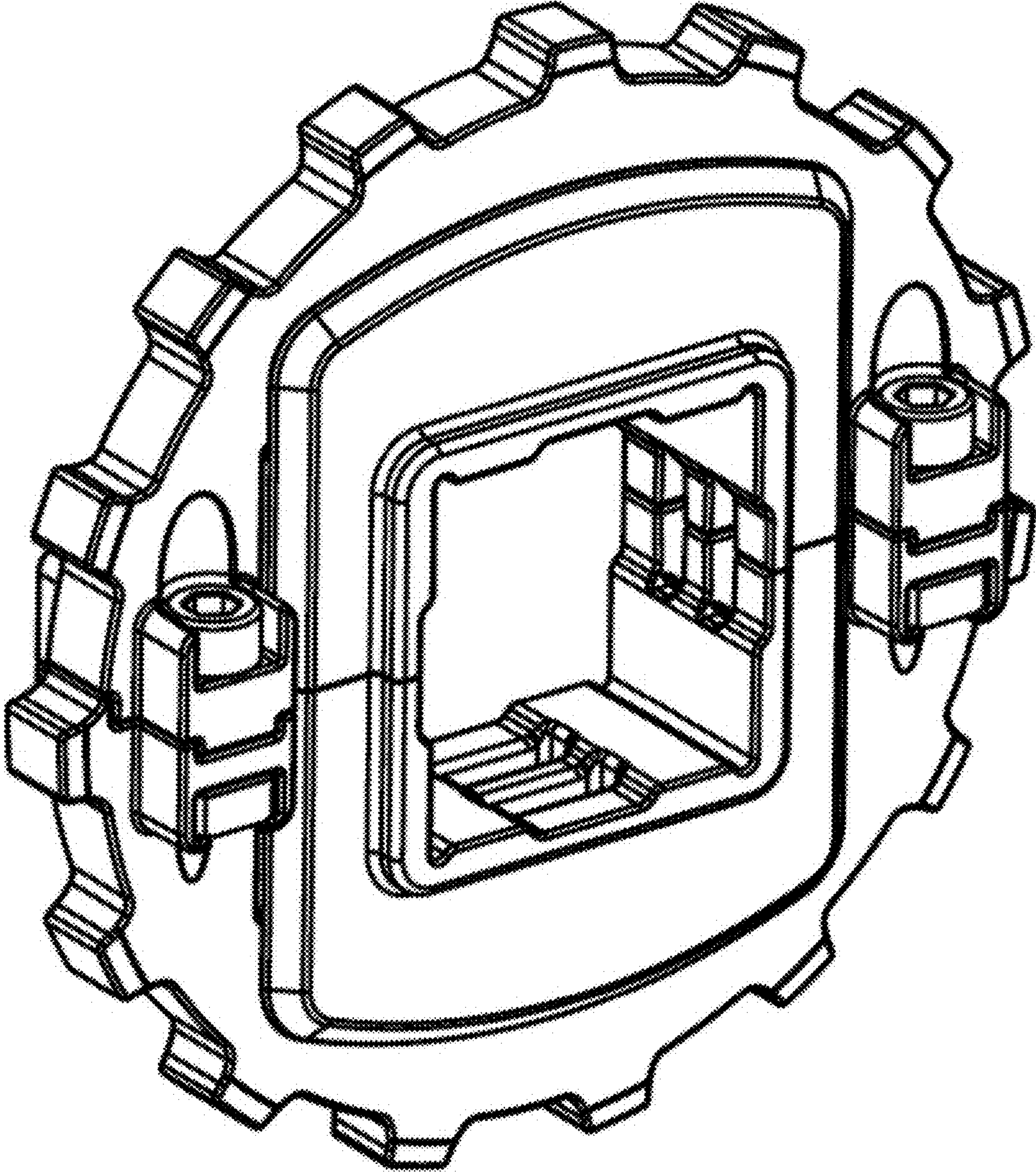
- 1. Sprocket for conveyor belts
- 1.1 : Perspective
- 1.2 : Top
- 1.3 : Left
- 1.4 : Front
- 1.5 : Right
- 1.6 : Back
- 1.7 : Bottom

FIG. 1.1 is a perspective view of the sprocket; FIG. 1.2 is a top view of the sprocket; FIG. 1.3 is a left side view of the sprocket; FIG. 1.4 is a front view of the sprocket; FIG. 1.5 is right side view of the sprocket; FIG. 1.6 is a back view of the sprocket; FIG. 1.7 is a bottom view of the sprocket.

**1 Claim, 7 Drawing Sheets**

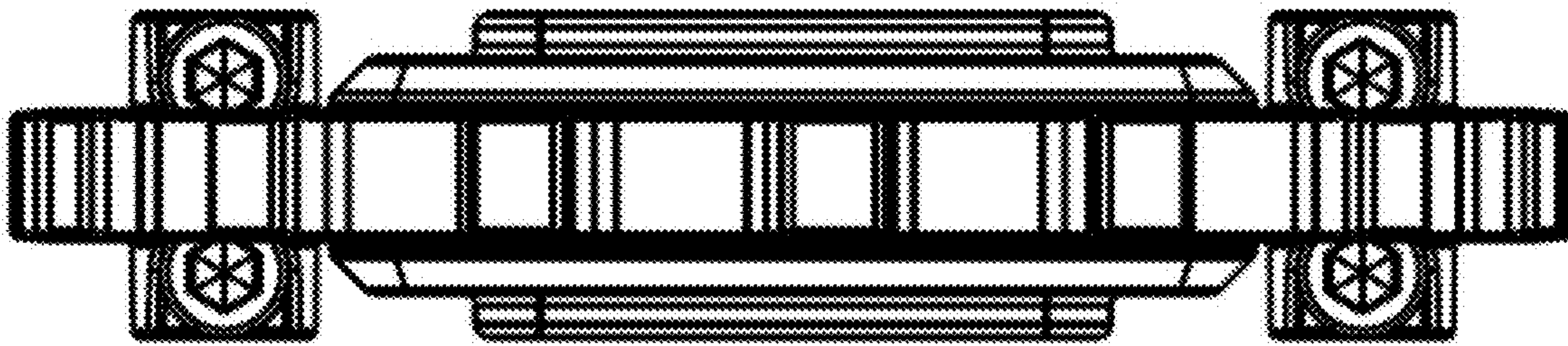


1.1

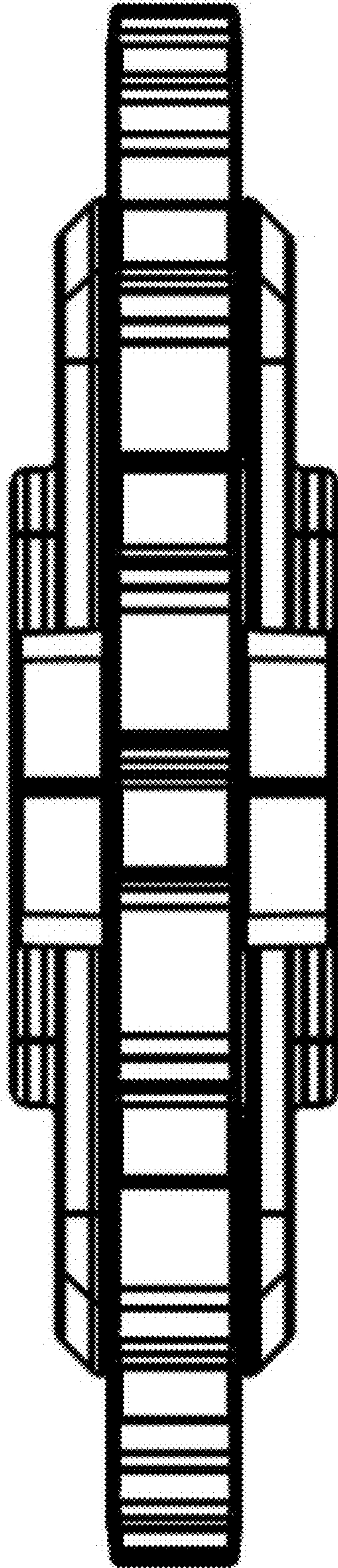




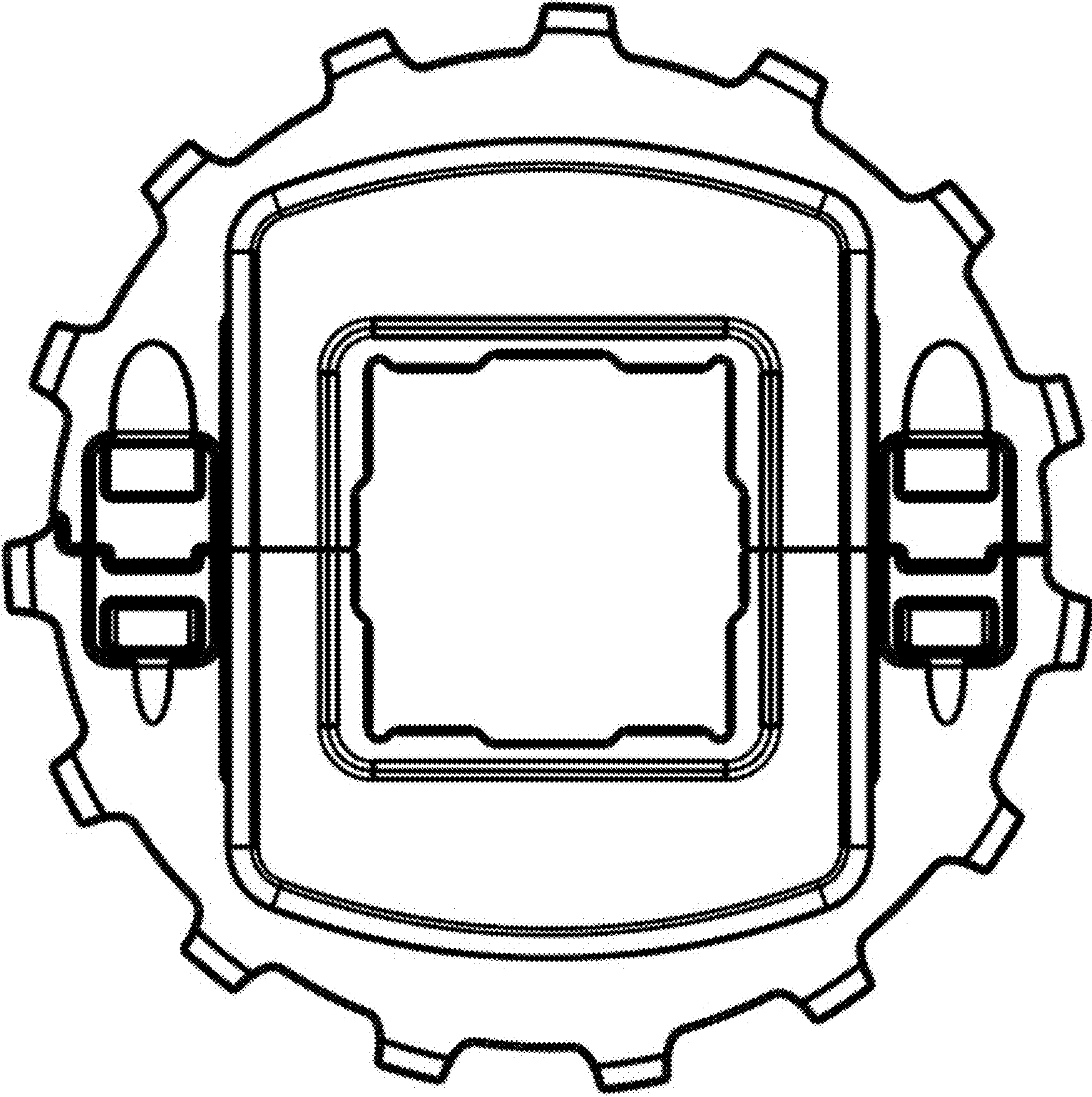
1.2



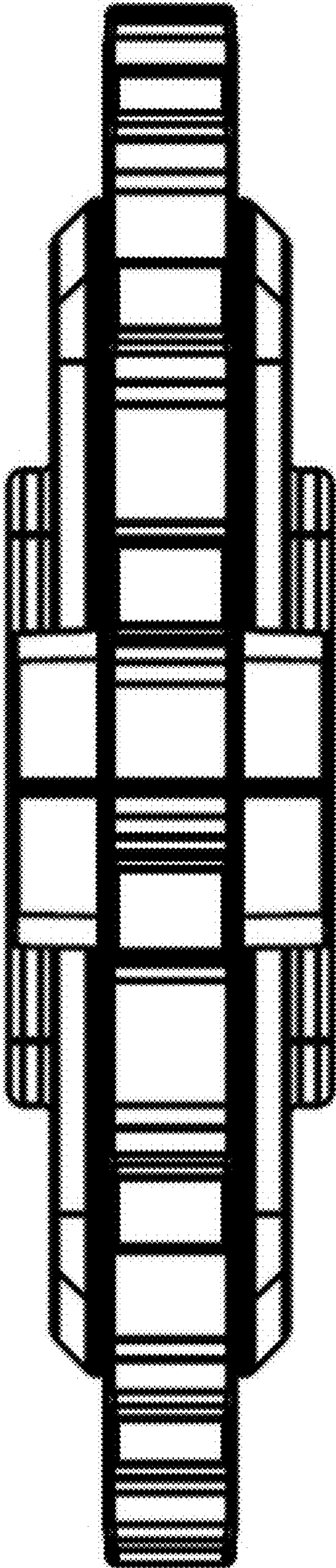
1.3



1.4

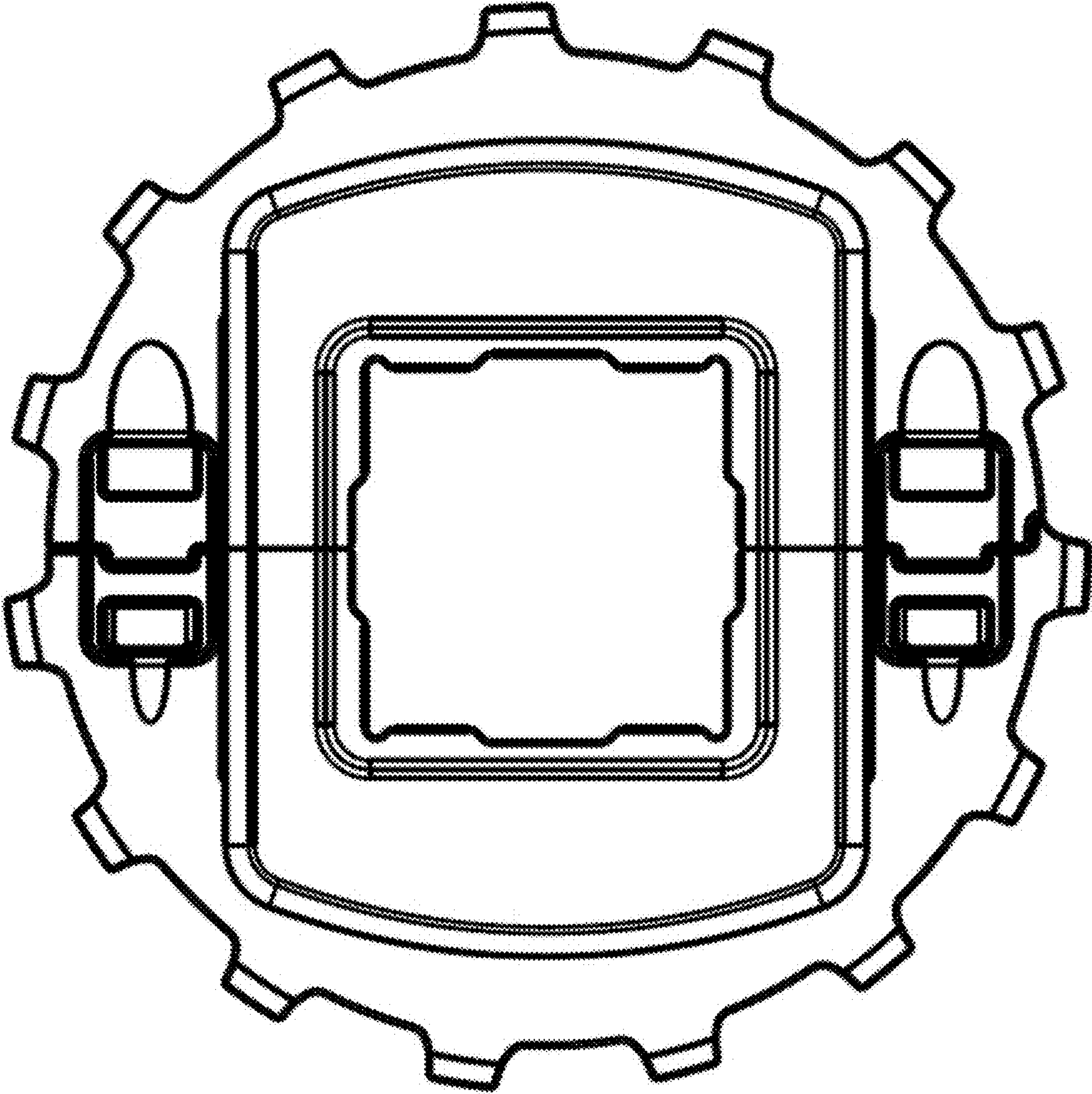


1.5





1.6



1.7

